



US00D923832S

(12) **United States Design Patent**
Chen

(10) **Patent No.:** **US D923,832 S**

(45) **Date of Patent:** **** Jun. 29, 2021**

(54) **BICYCLE LIGHT**

(71) Applicant: **SHENZHEN GACIRON TECHNOLOGY CO., LTD.**, Shenzhen (CN)

(72) Inventor: **Xiangbao Chen**, Shenzhen (CN)

(73) Assignee: **SHENZHEN GACIRON TECHNOLOGY CO., LTD.**, Shenzhen (CN)

(**) Term: **15 Years**

(21) Appl. No.: **29/746,492**

(22) Filed: **Aug. 14, 2020**

(51) **LOC (13) Cl.** **26-06**

(52) **U.S. Cl.**
USPC **D26/28**

(58) **Field of Classification Search**
USPC D26/28, 29, 30, 31, 32, 33, 34, 35, 36, D26/44

CPC F21S 48/00; F21S 48/10; F21S 48/115; F21S 48/225; F21S 48/1233; F21S 48/1266; F21S 48/1388; F21S 48/2268; F21V 21/04; F21W 2103/35; F21W 3/40; F21W 2102/17; F21W 2102/30; F21W 2103/00; F21W 2103/55; F21W 2104/00; F21W 2107/17; F21W 2107/13

See application file for complete search history.

(56) **References Cited**

U.S. PATENT DOCUMENTS

D541,447 S * 4/2007 Ueda D26/28
D667,581 S 9/2012 Lee

D717,979 S * 11/2014 Ueda D26/28
D733,342 S * 6/2015 Lee D26/28
D733,948 S * 7/2015 Liao D26/28
D735,381 S * 7/2015 Lee D26/28
D757,311 S * 5/2016 Nagano D26/28
D779,690 S * 2/2017 Nagano D26/28
D780,349 S * 2/2017 Cutrone D26/28
D783,188 S * 4/2017 Espejo D26/28
D784,575 S * 4/2017 Kawakami D26/28
D825,794 S * 8/2018 Zheng D26/28
D863,619 S 10/2019 Hamasaki
D913,553 S * 3/2021 Worman D26/60
D913,554 S * 3/2021 Worman D26/60

* cited by examiner

Primary Examiner — Angela J Lee

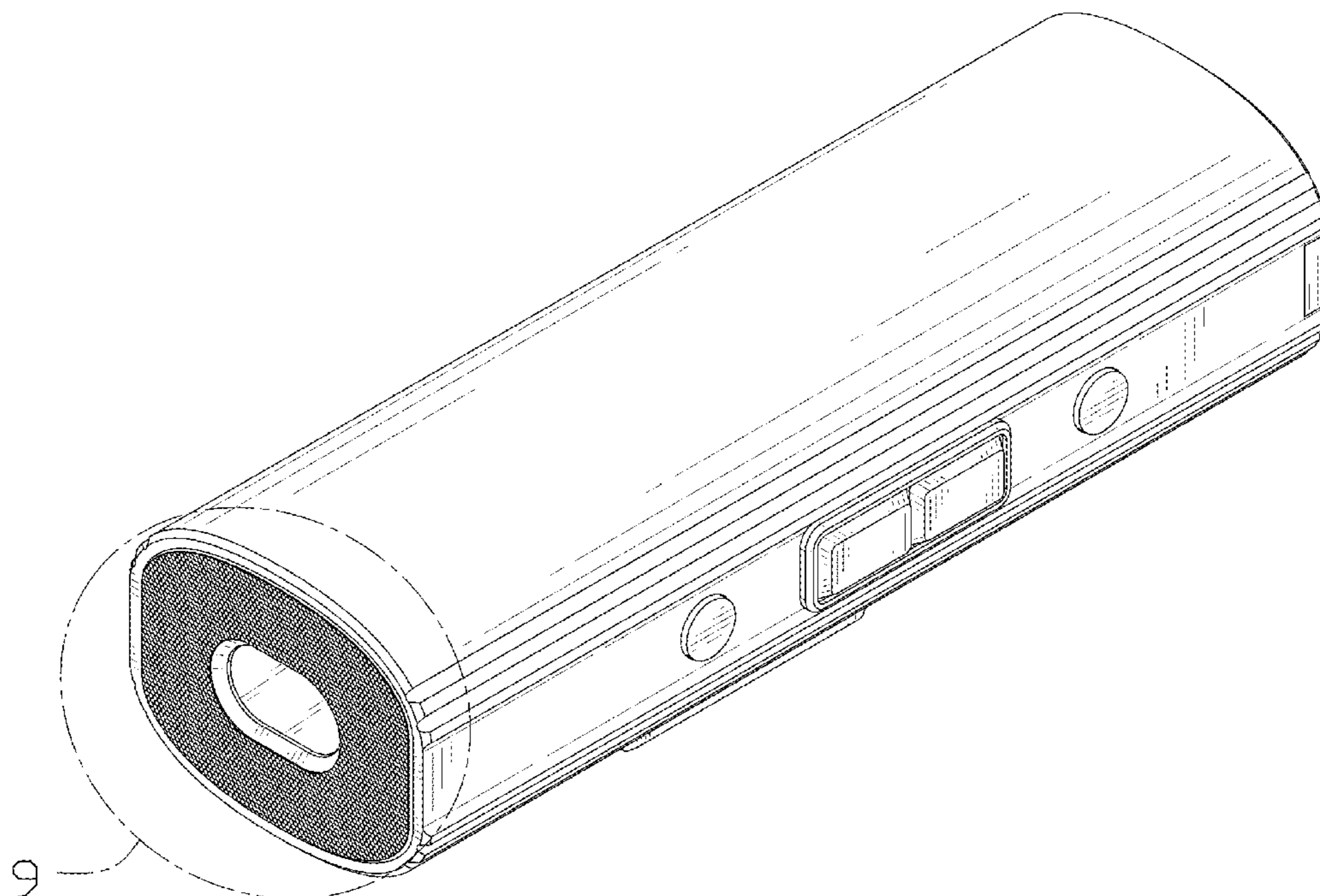
(57) **CLAIM**

The ornamental design for a bicycle light, as shown and described.

DESCRIPTION

FIG. 1 is a perspective view of a bicycle light showing my new design;
FIG. 2 is another perspective view thereof;
FIG. 3 is a front elevational view thereof;
FIG. 4 is a rear elevational view thereof;
FIG. 5 is a left side elevational view thereof;
FIG. 6 is a right side elevational view thereof;
FIG. 7 is a top plan view thereof;
FIG. 8 is a bottom plan view thereof; and,
FIG. 9 is an enlarged view of portion 9 shown in FIG. 1.
The broken lines in the drawings depict portions of the bicycle light that form no part of the claimed design.

1 Claim, 9 Drawing Sheets



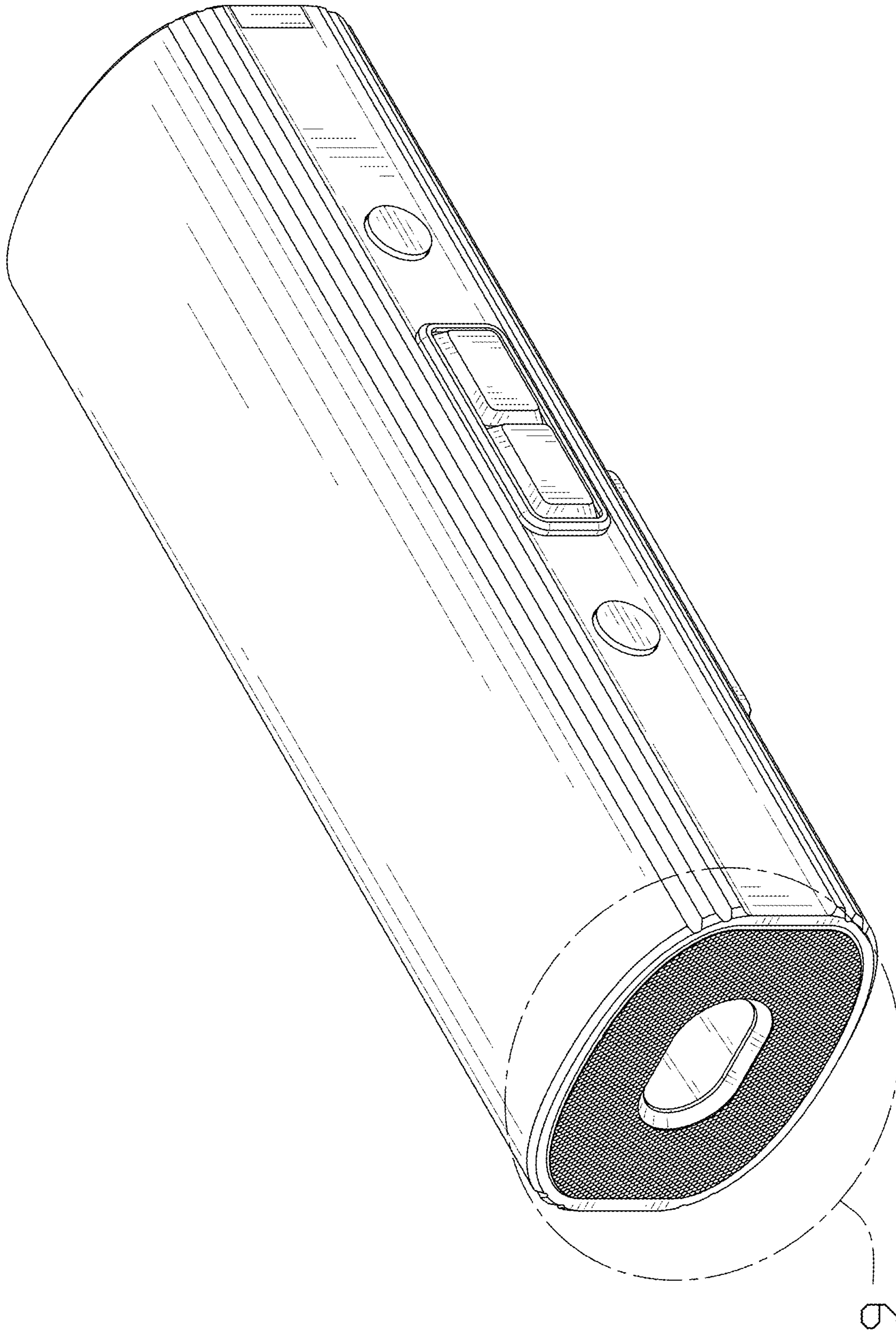


FIG. 1

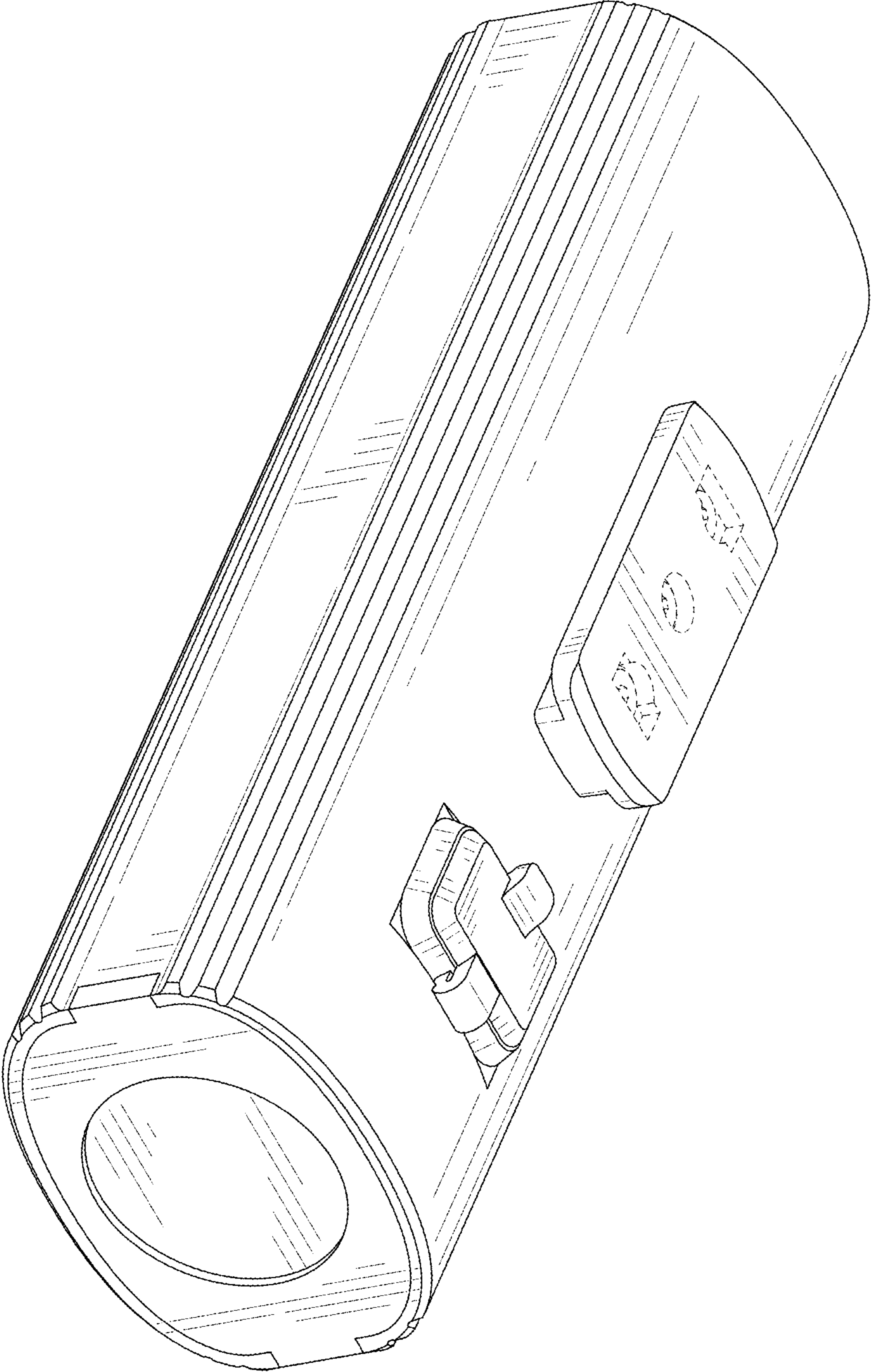


FIG. 2

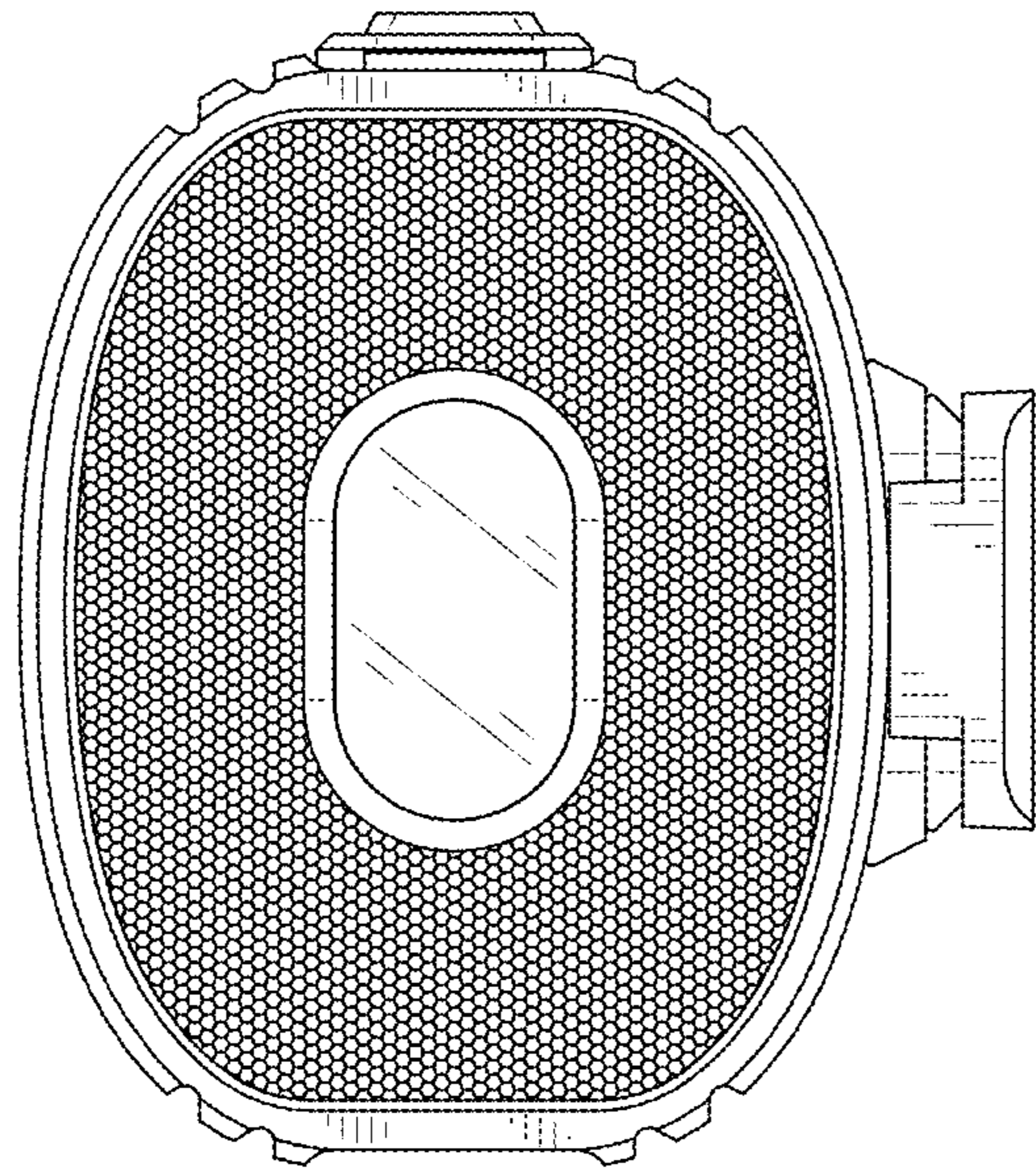


FIG. 3

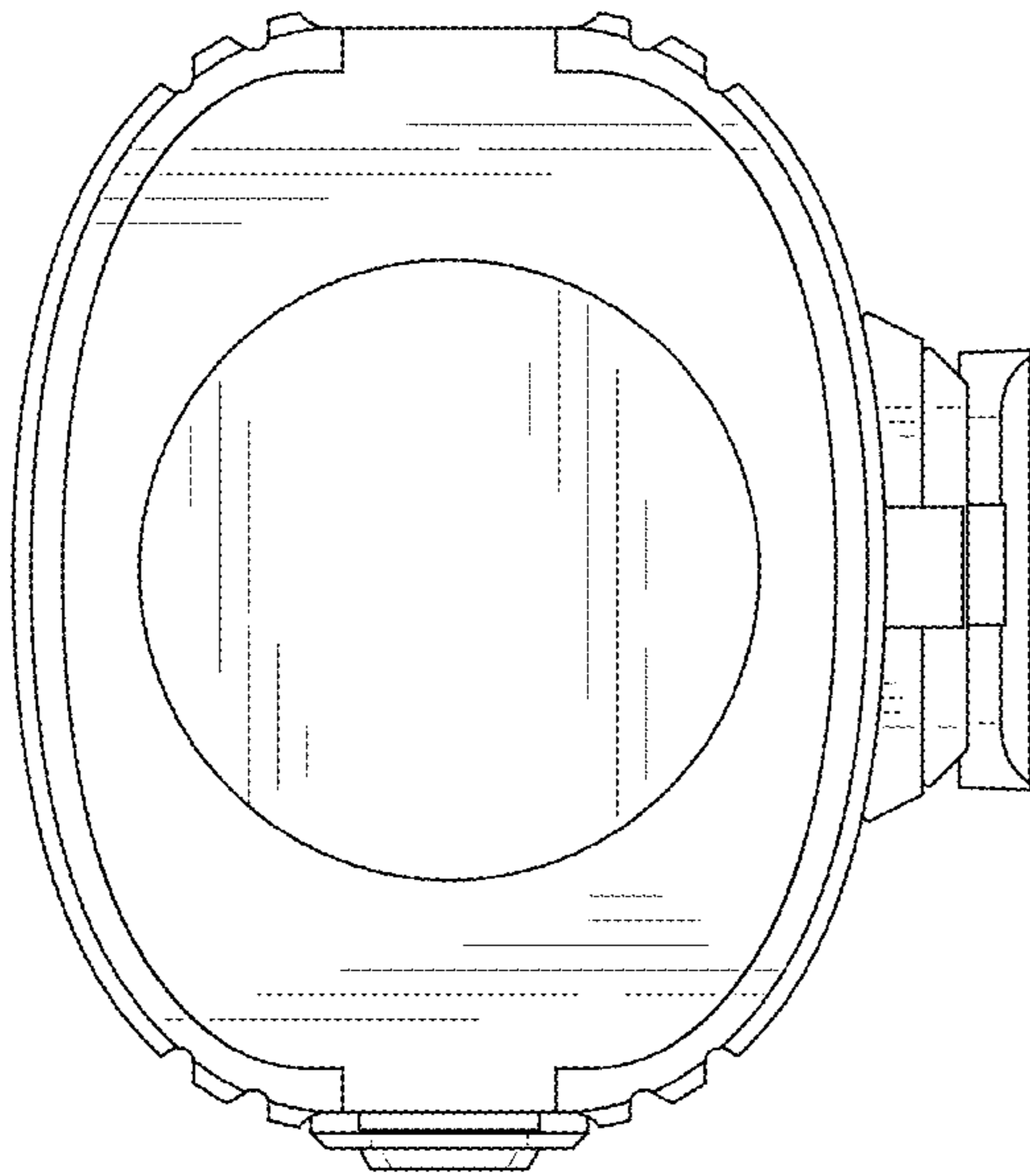


FIG. 4

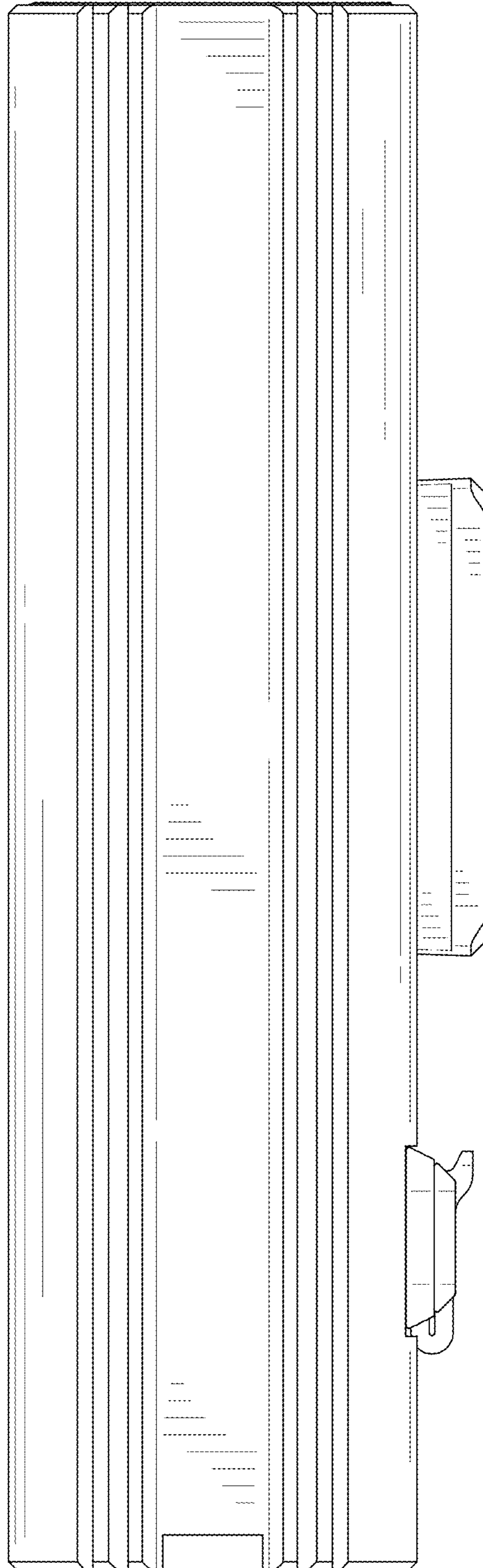


FIG. 5

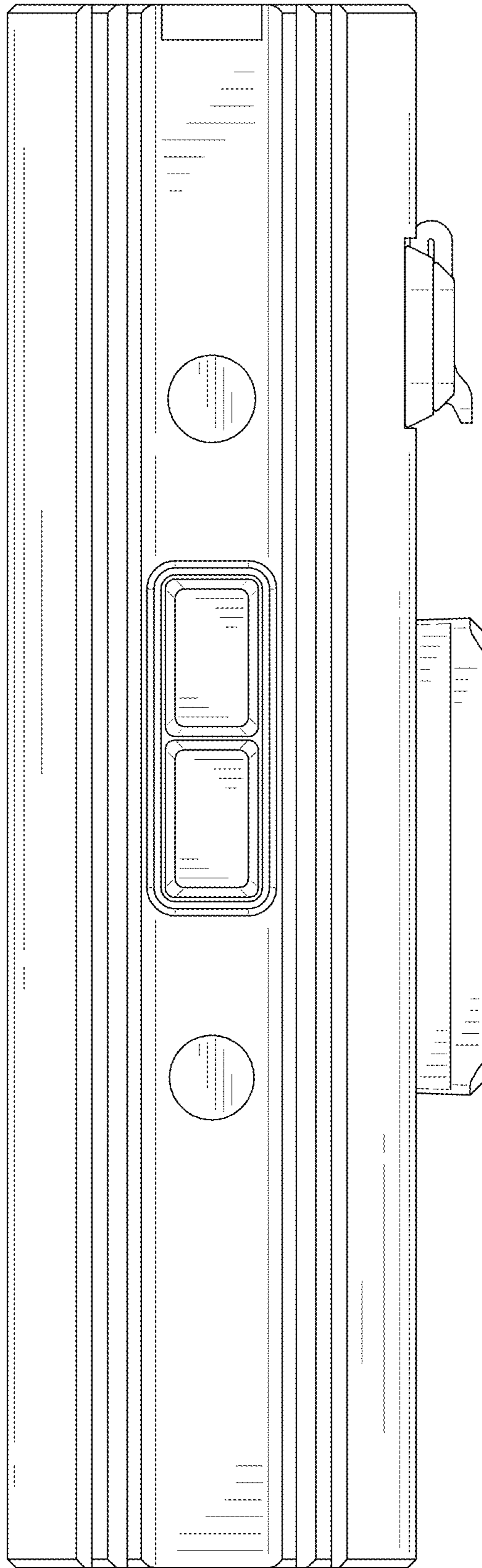


FIG. 6

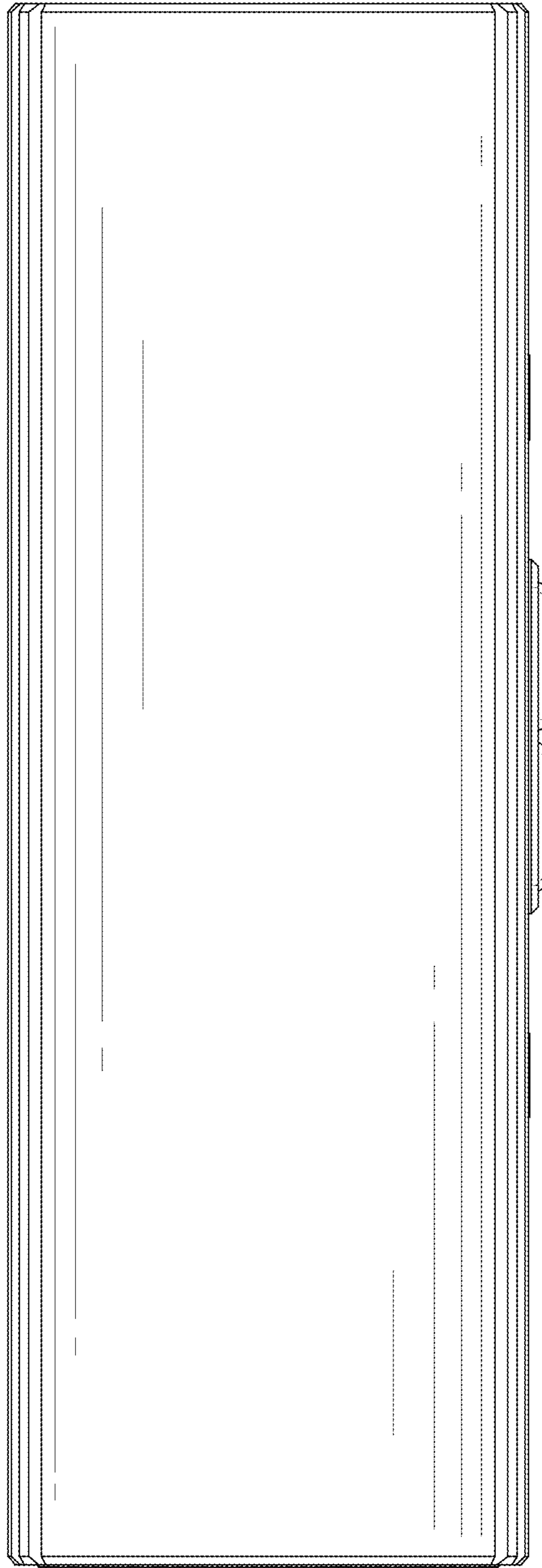


FIG. 7

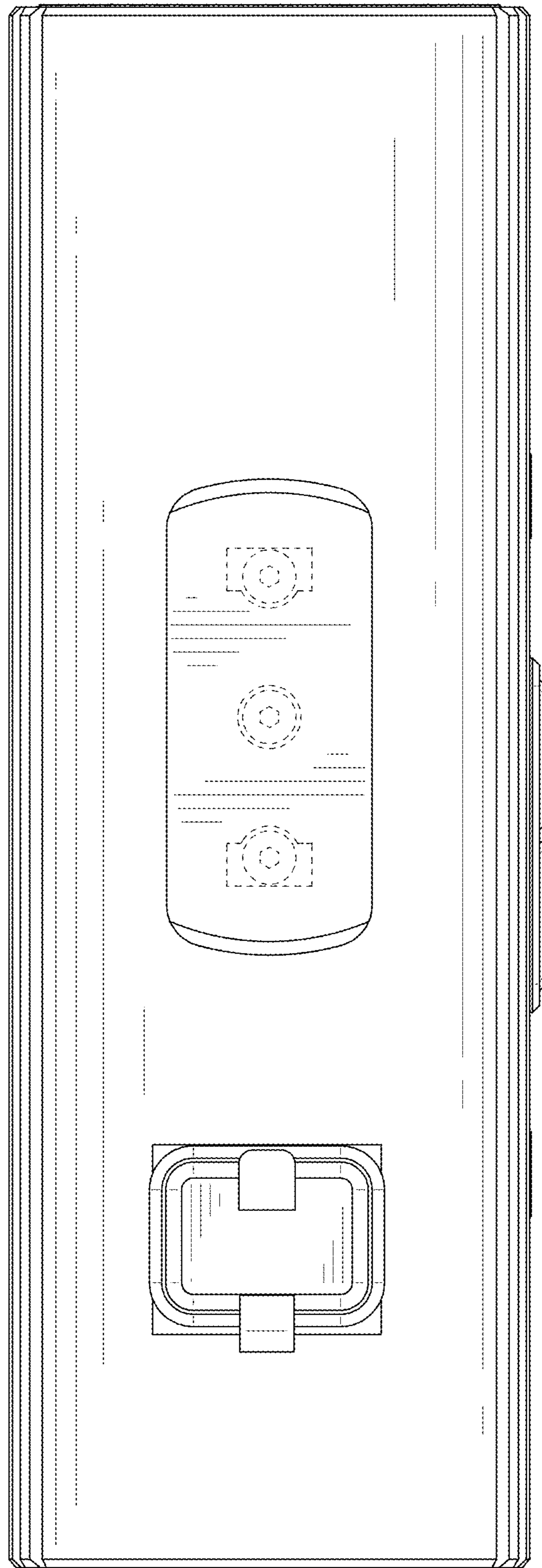


FIG. 8

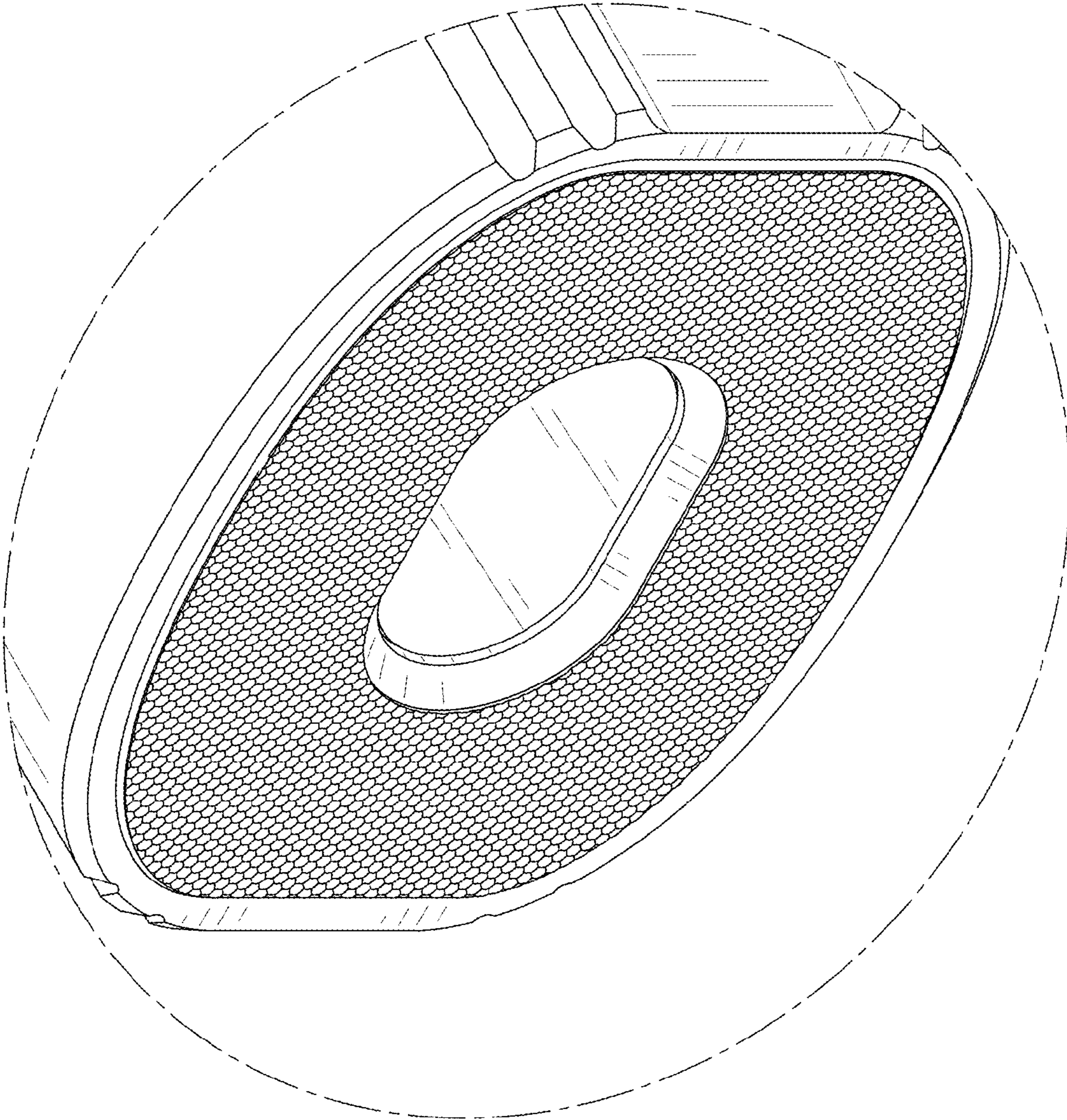


FIG. 9