



US00D923830S

(12) **United States Design Patent**  
**Chen**

(10) **Patent No.:** **US D923,830 S**

(45) **Date of Patent:** **\*\* Jun. 29, 2021**

(54) **CAR HEADLIGHT**

(71) Applicant: **ZHEJIANG YUANZHENG AUTO & MOTORCYCLE ACCESSORIES CO., LTD.**, Rui'an (CN)

(72) Inventor: **Yu Chen**, Rui'an (CN)

(\*\*) Term: **15 Years**

(21) Appl. No.: **29/744,582**

(22) Filed: **Jul. 30, 2020**

(51) **LOC (13) Cl.** ..... **26-06**

(52) **U.S. Cl.**  
USPC ..... **D26/28**

(58) **Field of Classification Search**  
USPC ..... D26/28-36, 139  
CPC ..... F21S 48/00; F21S 48/10; F21S 48/115;  
F21S 48/225; F21S 48/1233; F21S 48/1266; F21S 48/1388; F21S 48/2268;  
F21V 5/00; F21V 21/04; F21V 29/004;  
B60Q 9/13; B60Q 9/135; B60Q 9/1375  
See application file for complete search history.

(56) **References Cited**

**U.S. PATENT DOCUMENTS**

D506,842 S	*	6/2005	Nagura	.....	D26/28
D524,466 S	*	7/2006	Essig	.....	D26/28
D542,442 S	*	5/2007	Matsunami	.....	D26/28
D552,768 S	*	10/2007	Leclercq	.....	D26/28
D570,007 S	*	5/2008	Hsu	.....	D26/28

D593,233 S	5/2009	Bai et al.
D597,689 S	8/2009	Sun et al.
D878,642 S	3/2020	Ren

\* cited by examiner

*Primary Examiner* — Marcus A Jackson

(57) **CLAIM**

The ornamental design for a car headlight, as shown and described.

**DESCRIPTION**

FIG. 1 is a first perspective view of a first embodiment of a car headlight showing my new design;  
 FIG. 2 is a second perspective view of the first embodiment thereof;  
 FIG. 3 is a front view of the first embodiment thereof;  
 FIG. 4 is a back view of the first embodiment thereof;  
 FIG. 5 is a left side view of the first embodiment thereof;  
 FIG. 6 is a right side view of the first embodiment thereof;  
 FIG. 7 is a top view of the first embodiment thereof;  
 FIG. 8 is a bottom view of the first embodiment thereof;  
 FIG. 9 is a first perspective view of a second embodiment of a car headlight showing my new design;  
 FIG. 10 is a second perspective view of the second embodiment thereof;  
 FIG. 11 is a front view of the second embodiment thereof;  
 FIG. 12 is a back view of the second embodiment thereof;  
 FIG. 13 is a left side view of the second embodiment thereof;  
 FIG. 14 is a right side view of the second embodiment thereof;  
 FIG. 15 is a top view of the second embodiment thereof;  
 and,  
 FIG. 16 is a bottom view of the second embodiment thereof.

**1 Claim, 16 Drawing Sheets**

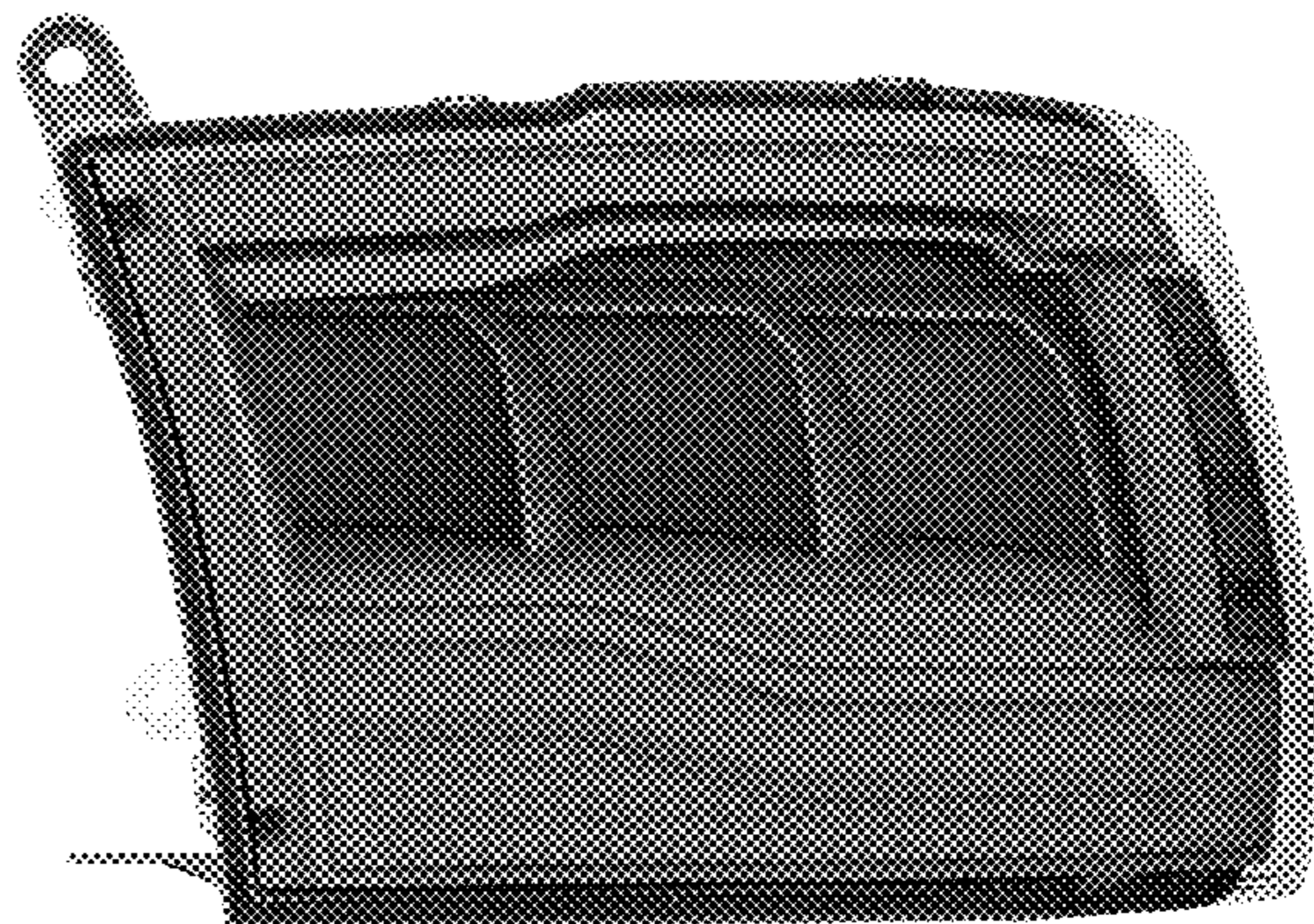
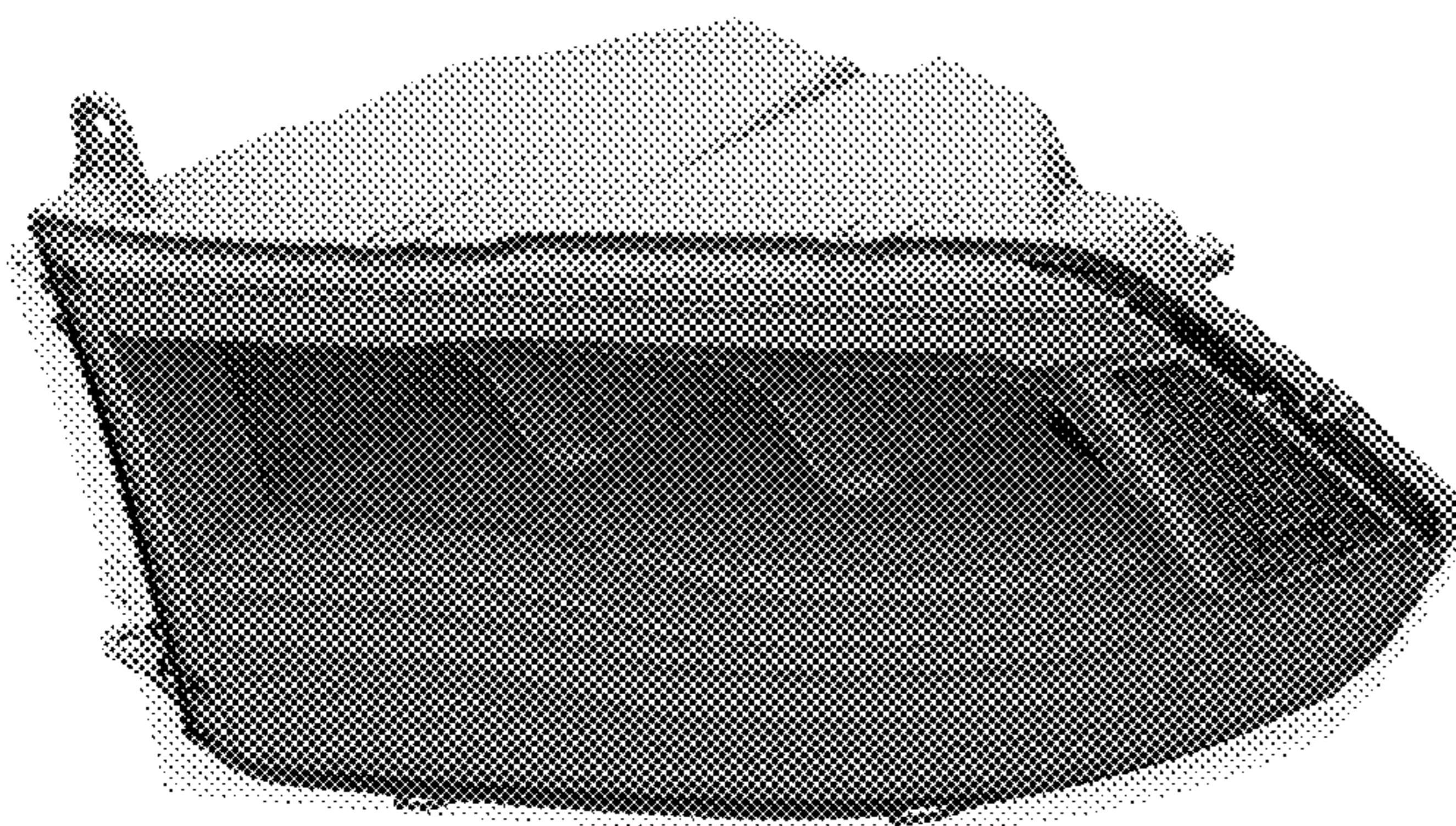






FIG. 1



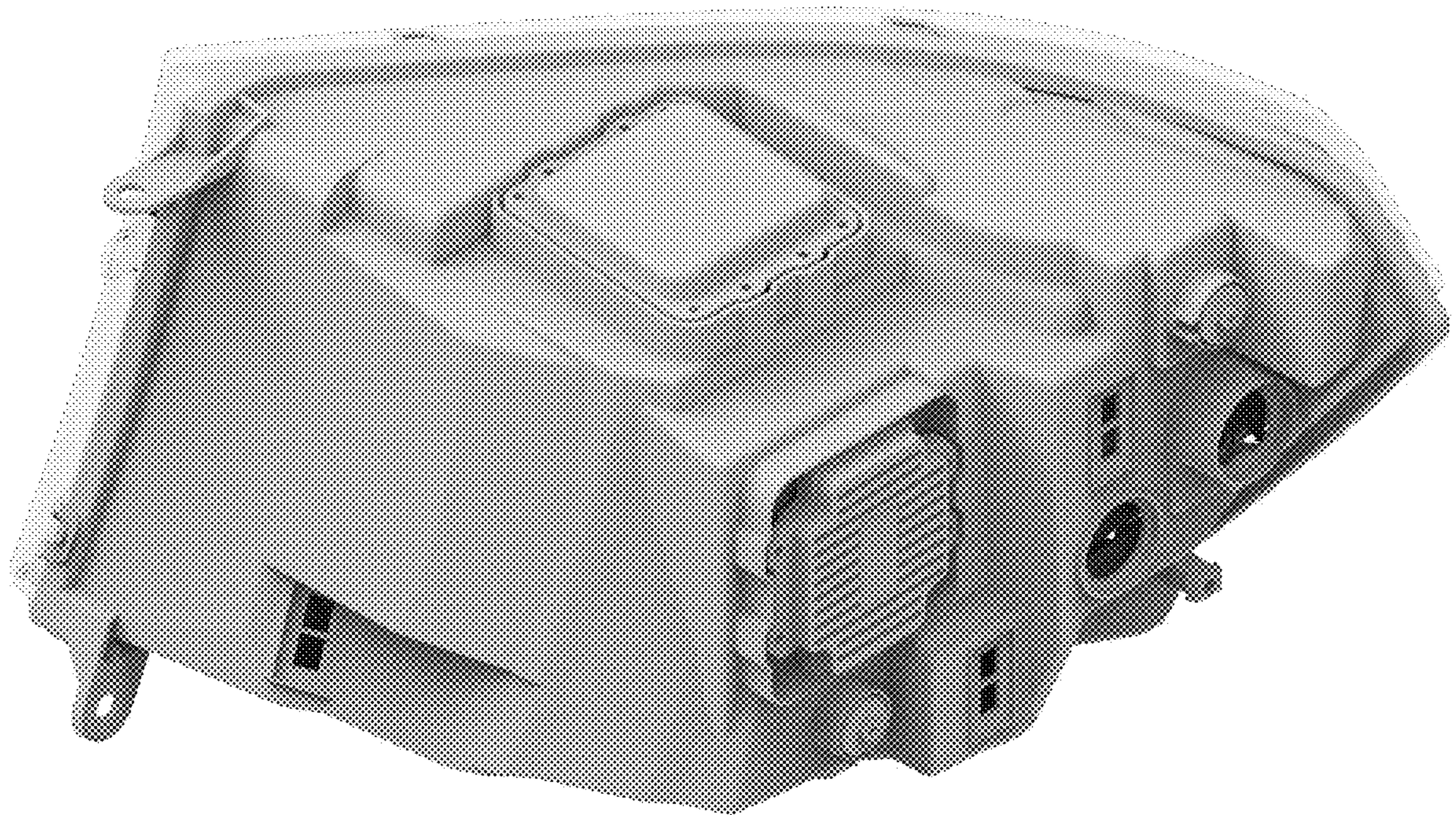


FIG. 2





FIG. 3





FIG. 4



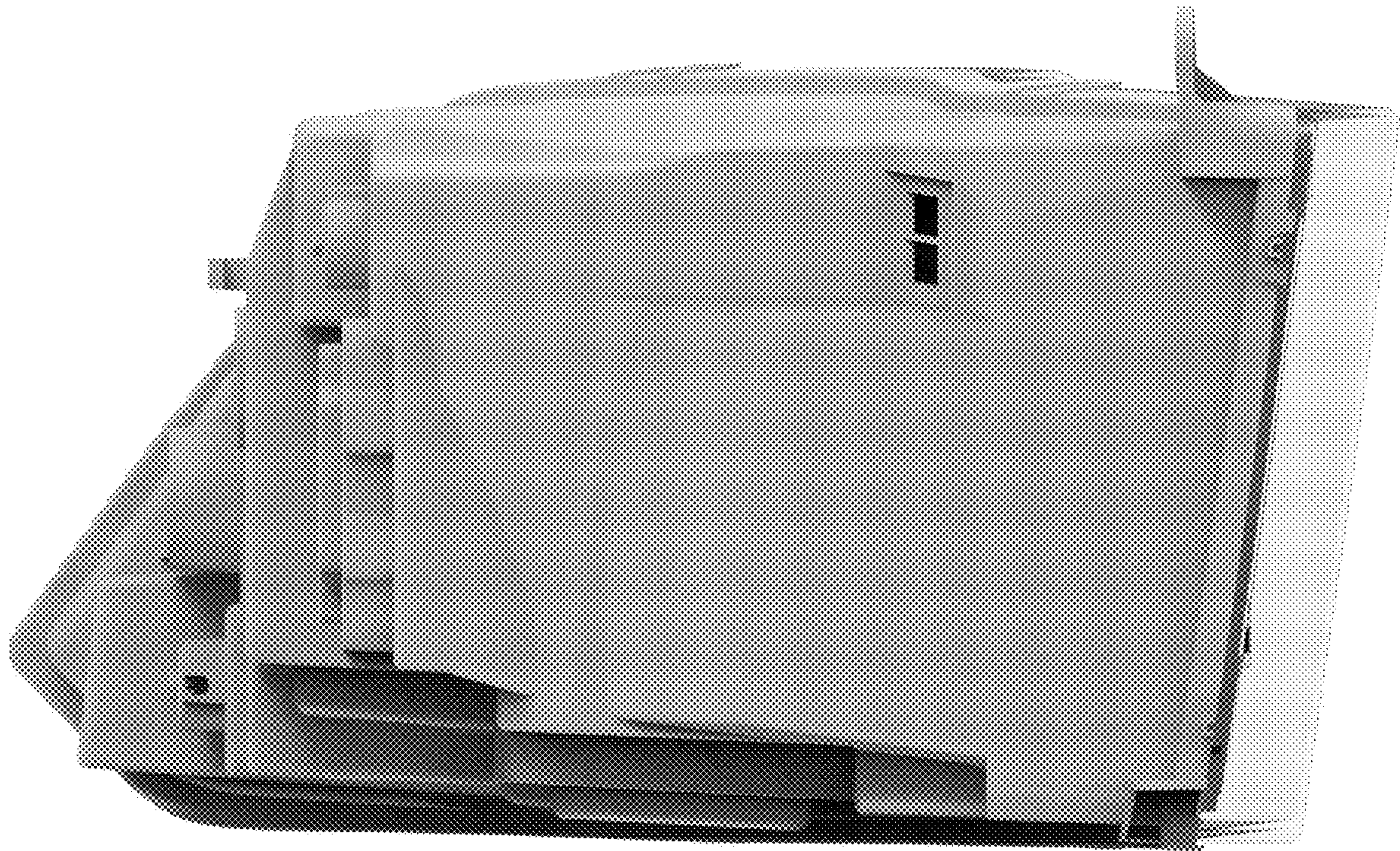


FIG. 5



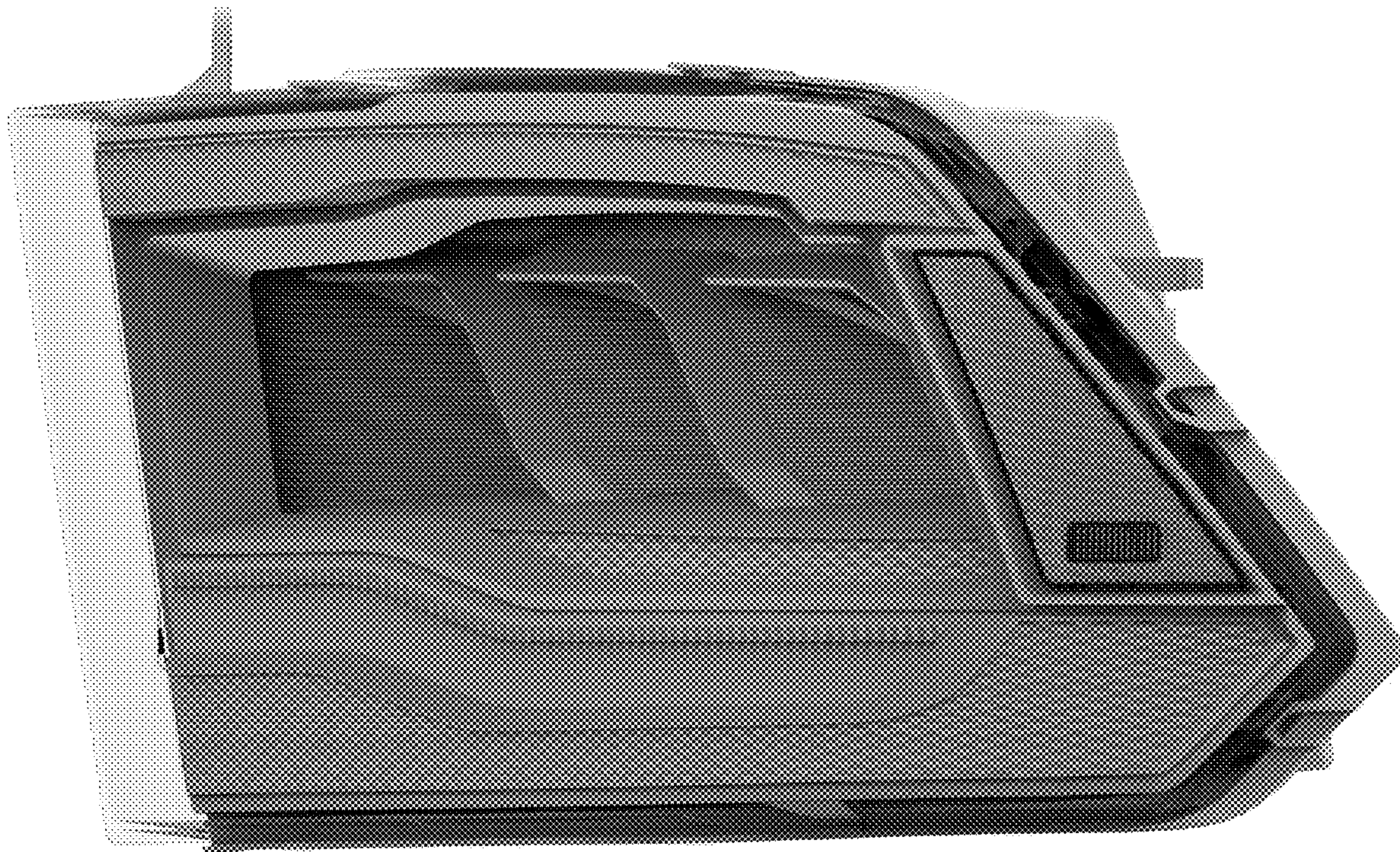


FIG. 6



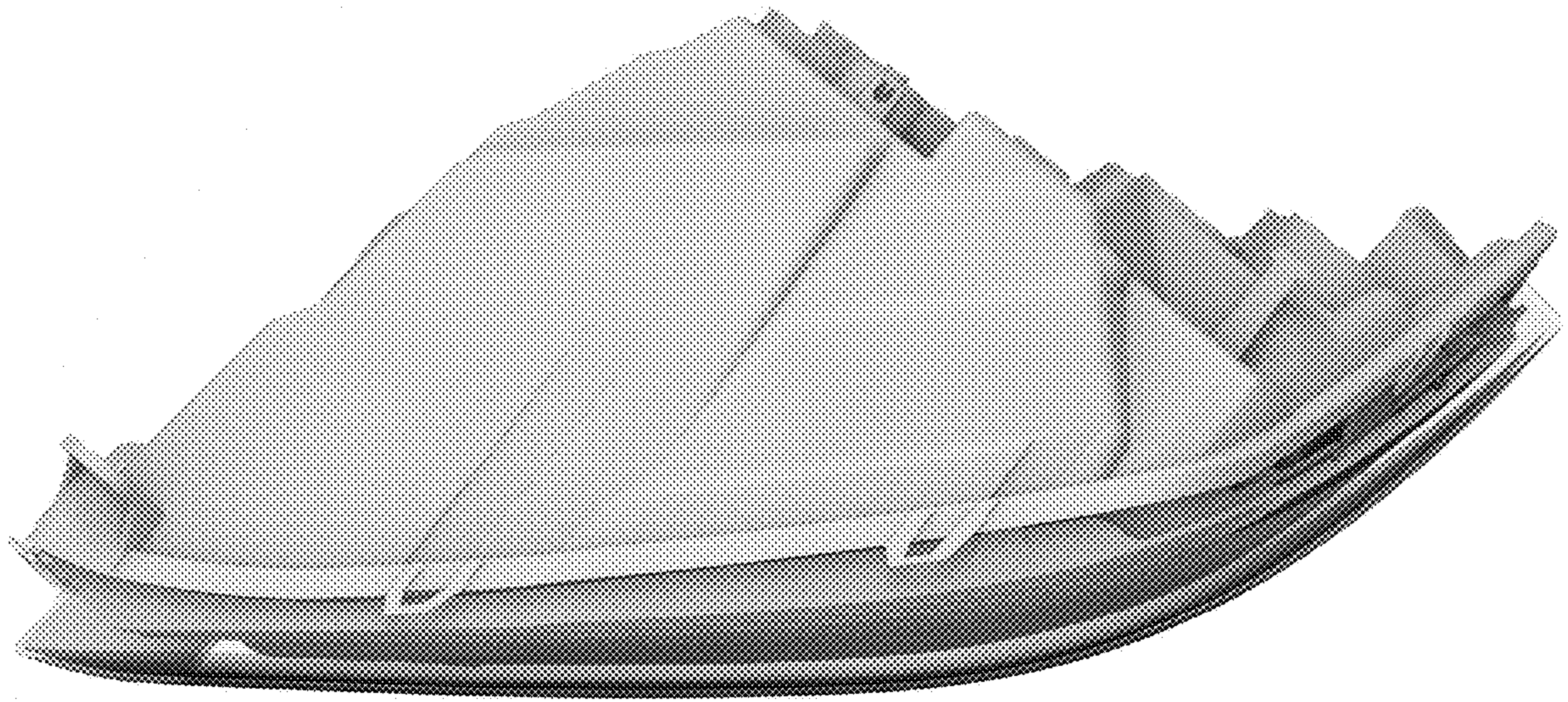


FIG. 7



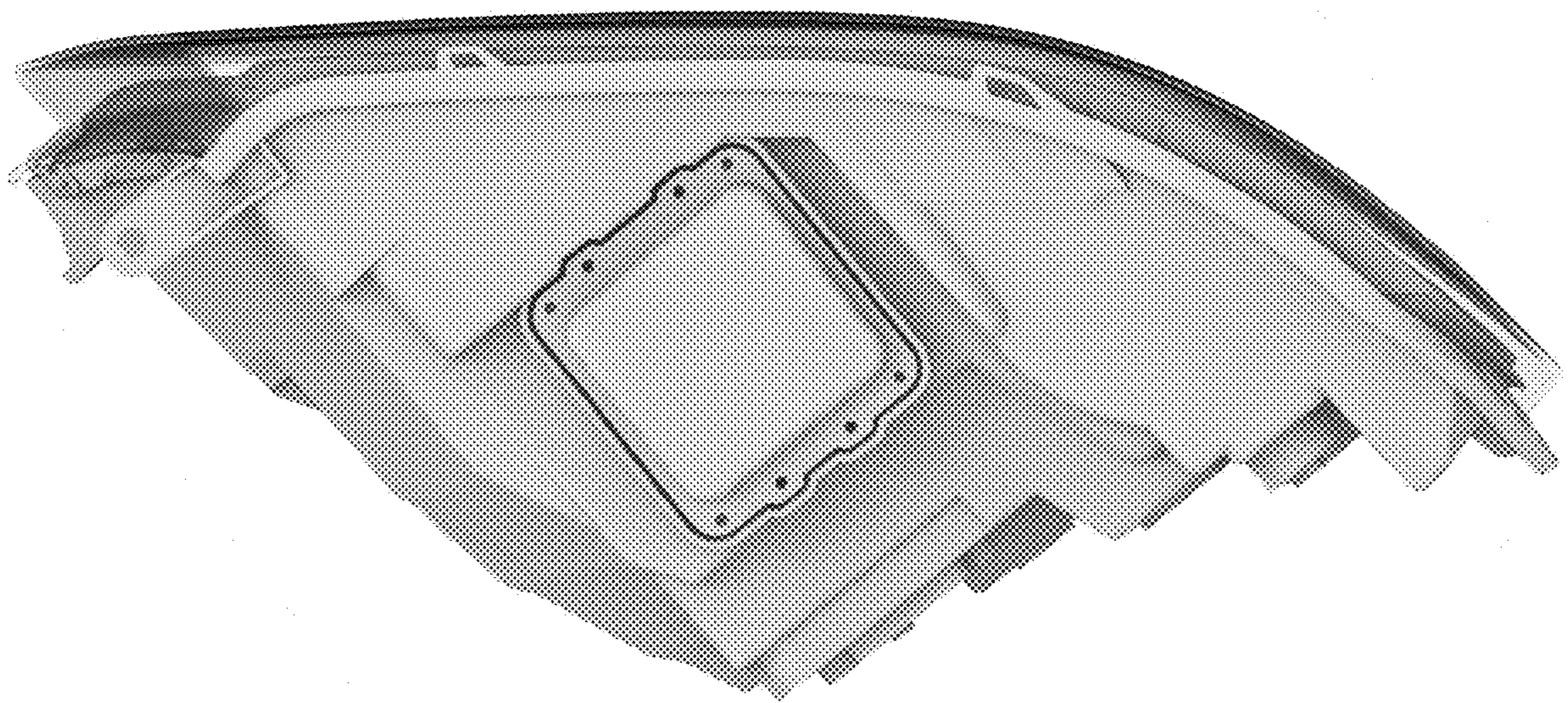


FIG. 8



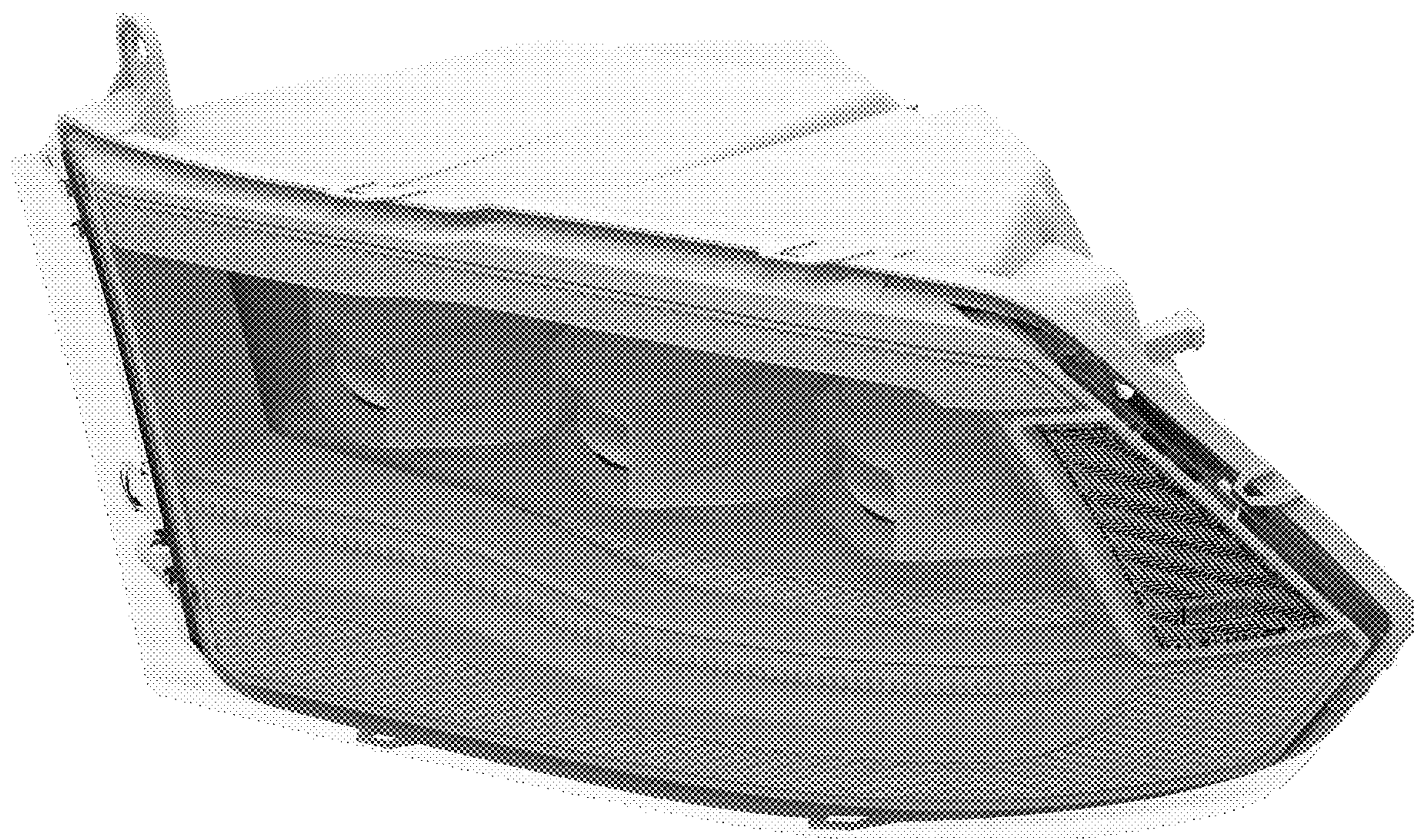


FIG. 9



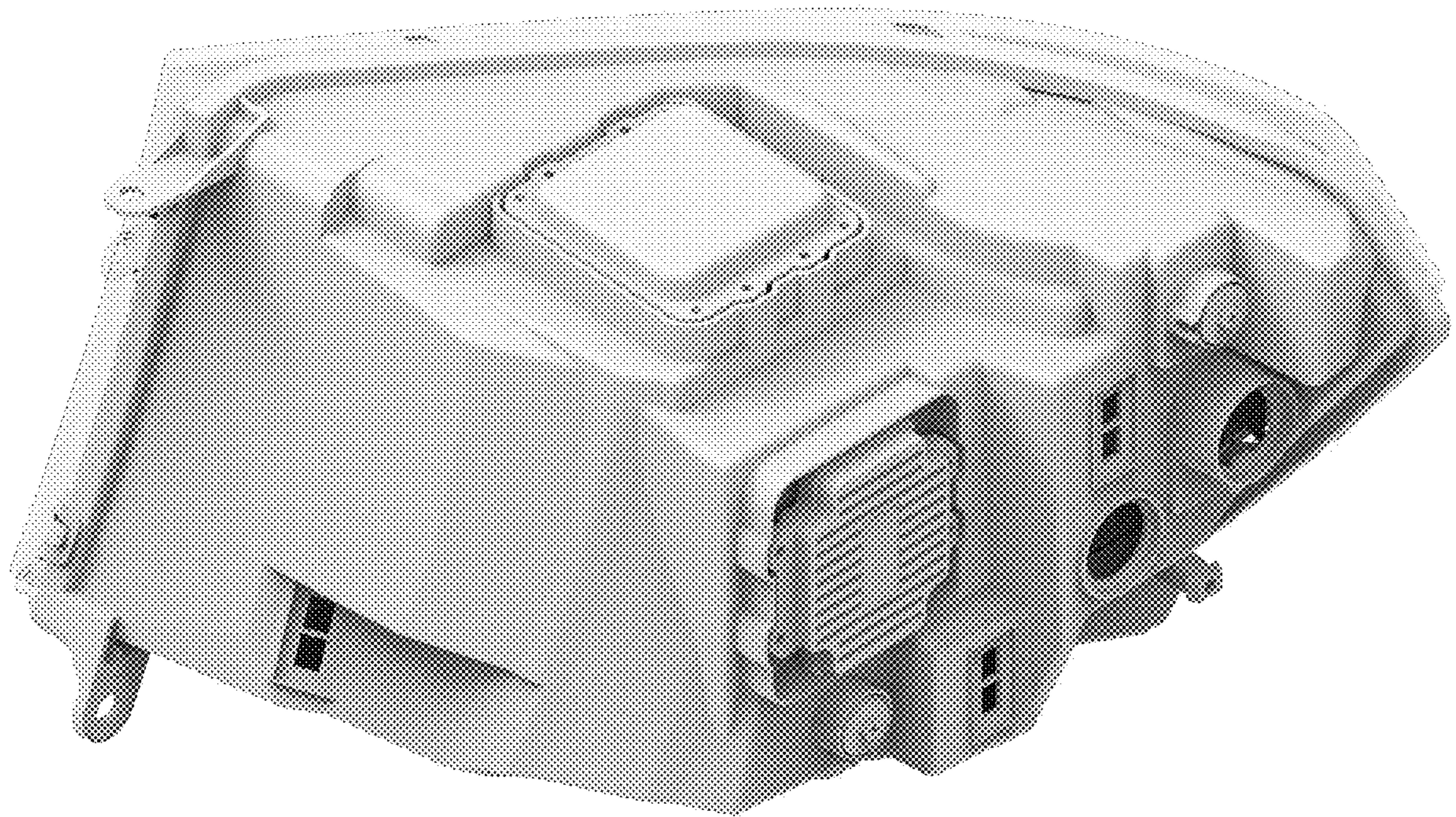


FIG. 10





FIG. 11



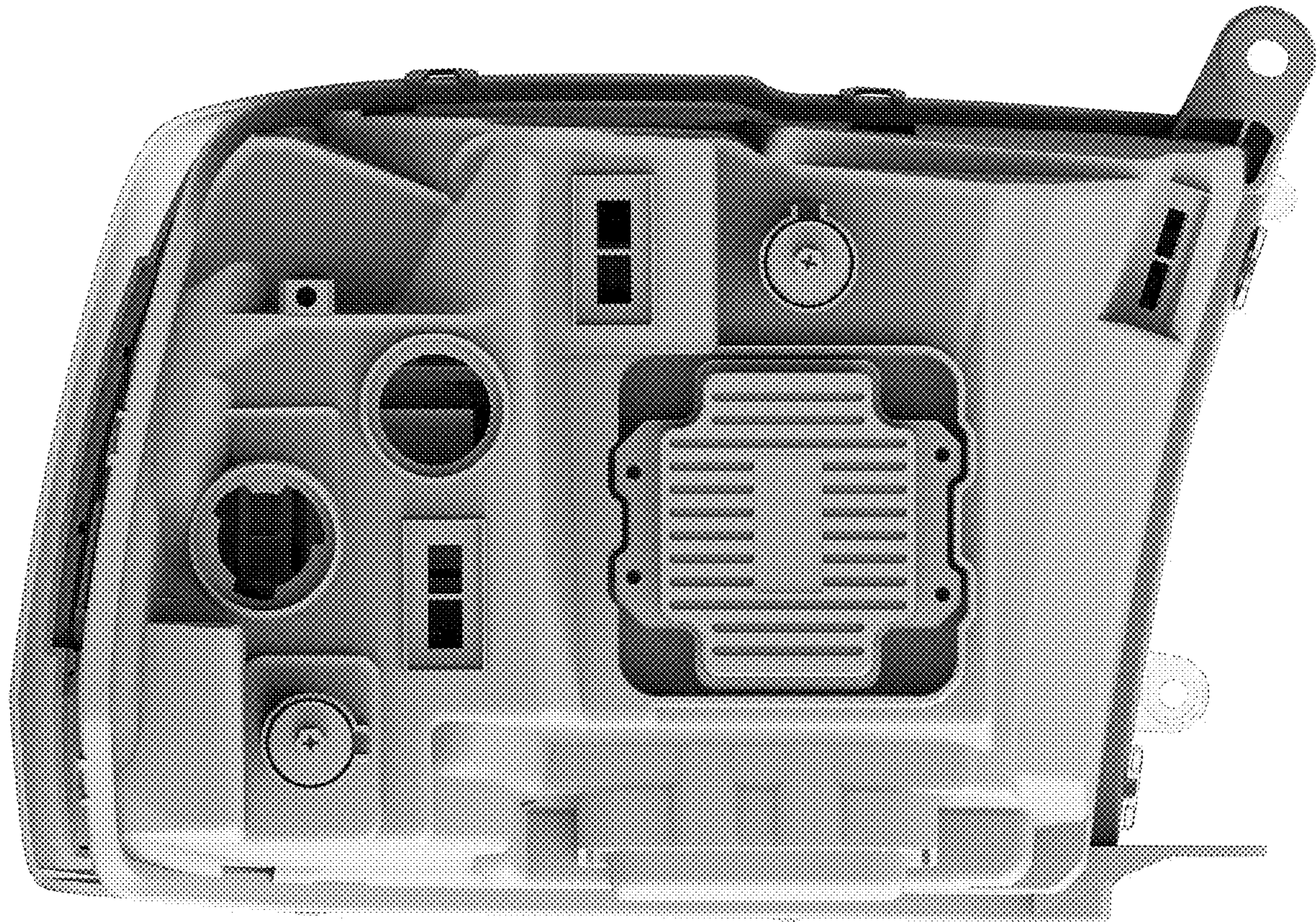


FIG. 12



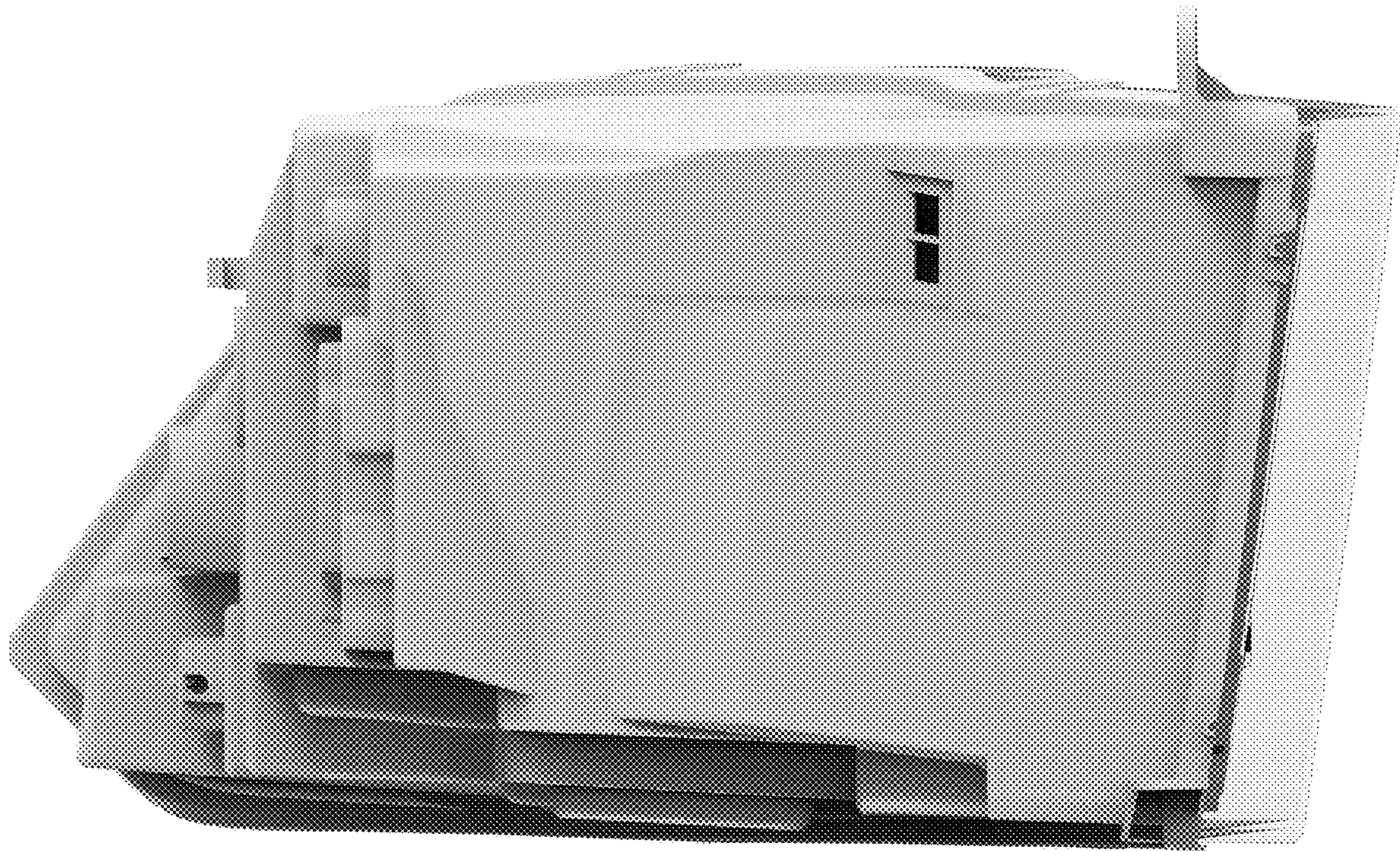


FIG. 13



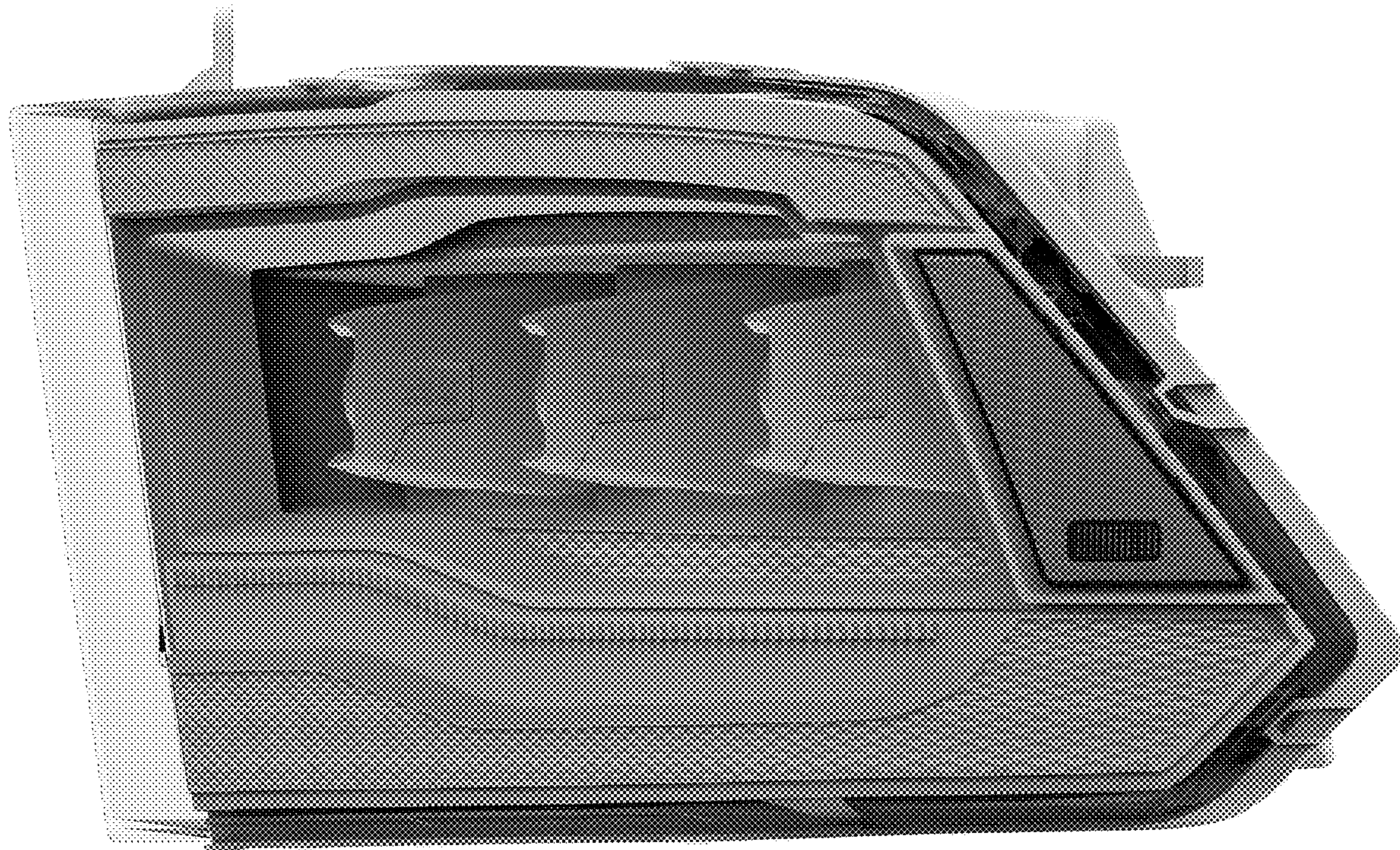


FIG. 14



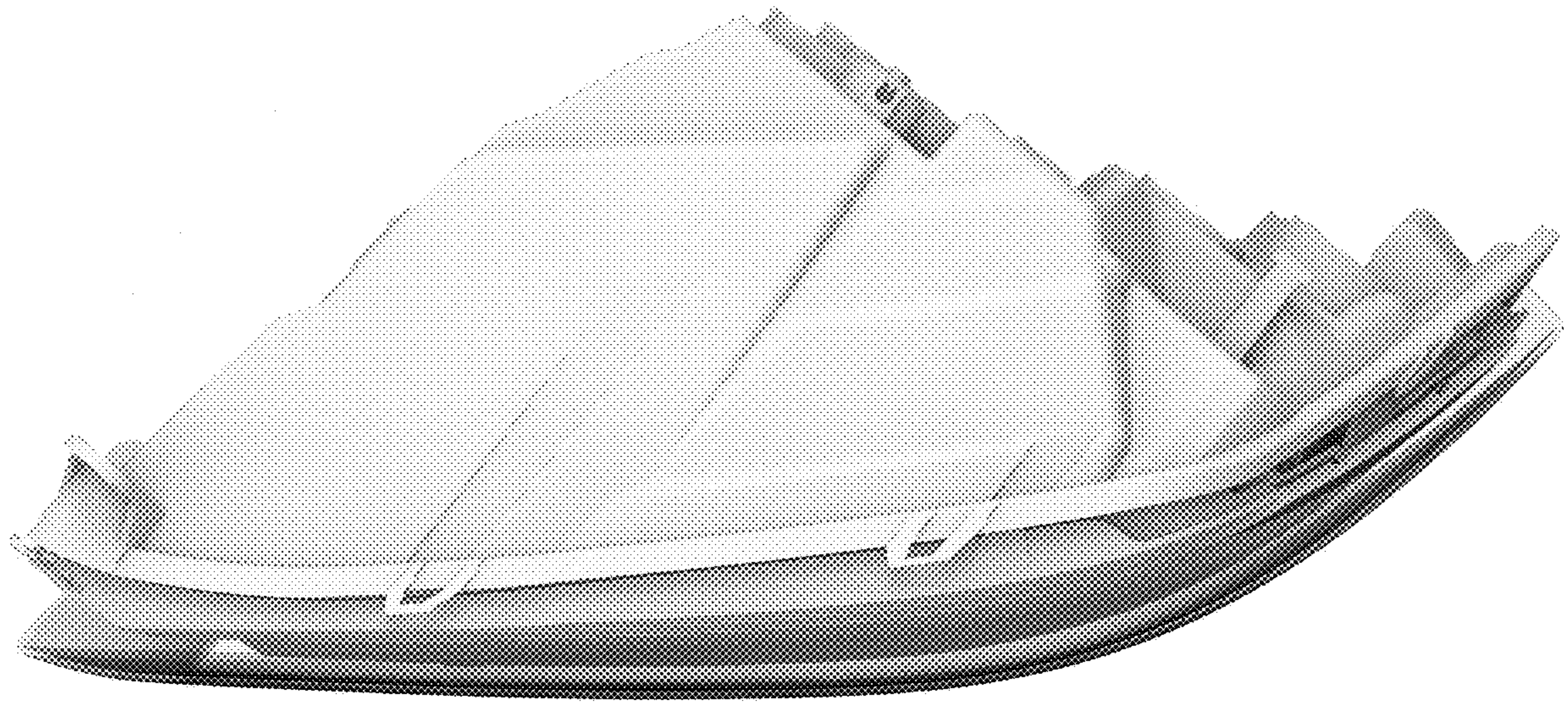


FIG. 15



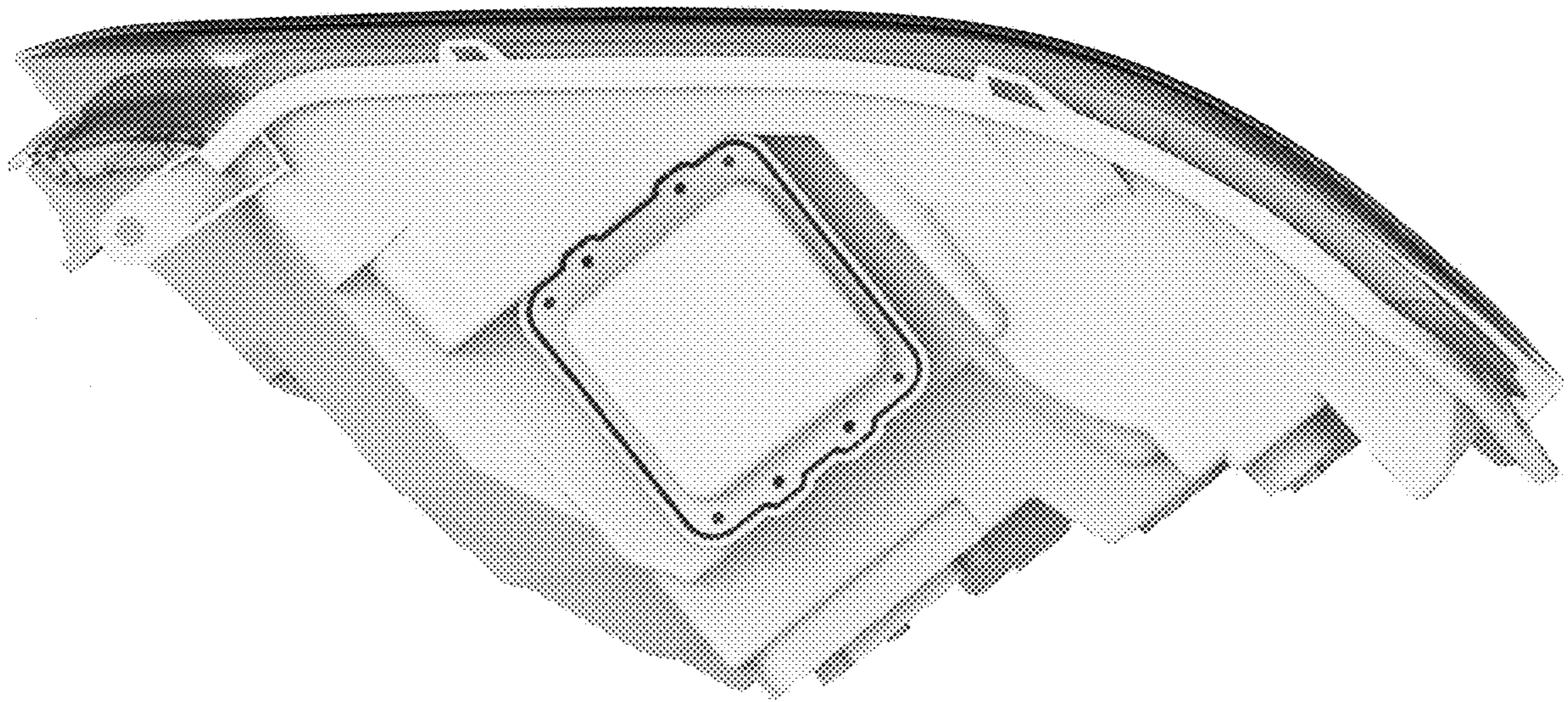


FIG. 16