

US00D923828S

(12) **United States Design Patent** (10) **Patent No.:** **US D923,828 S**  
**Loisch** (45) **Date of Patent:** **\*\* Jun. 29, 2021**

(54) **HEADLIGHT FOR A VEHICLE**  
(71) Applicant: **Bayerische Motoren Werke Aktiengesellschaft, Munich (DE)**  
(72) Inventor: **Felix Friederich Loisch, Munich (DE)**  
(73) Assignee: **Bayerische Motoren Werke Aktiengesellschaft, Munich (DE)**

D843,615 S \* 3/2019 Nordmann ..... D26/28  
D844,187 S \* 3/2019 Nordmann ..... D26/28  
D844,188 S 3/2019 Nordmann  
D852,999 S \* 7/2019 Allmendinger ..... D26/28  
D853,607 S \* 7/2019 Allmendinger ..... D26/28  
D866,017 S 11/2019 Binder  
D866,024 S \* 11/2019 Hannemann ..... D26/28  
D870,329 S \* 12/2019 Binder ..... D26/28  
D883,533 S \* 5/2020 Zhai ..... D26/28  
D889,697 S \* 7/2020 Tovey ..... D26/28

(Continued)

(\*\*) Term: **15 Years**

**FOREIGN PATENT DOCUMENTS**

(21) Appl. No.: **29/725,362**

WO WO DM/074766 5/2011  
WO WO DM/079708 6/2013  
WO WO DM/200757 6/2019

(22) Filed: **Feb. 25, 2020**

(30) **Foreign Application Priority Data**

*Primary Examiner* — Angela J Lee

Sep. 3, 2019 (DE) ..... 402019100943.4

(74) *Attorney, Agent, or Firm* — Crowell & Moring LLP

(51) **LOC (13) Cl.** ..... **26-06**

(57) **CLAIM**

(52) **U.S. Cl.**  
USPC ..... **D26/28**

The ornamental design for a headlight for a vehicle, as shown and described.

(58) **Field of Classification Search**  
USPC ..... D26/28, 29, 30, 31, 32, 33, 34, 35, 36, D26/44

**DESCRIPTION**

CPC ..... F21S 48/00; F21S 48/10; F21S 48/115; F21S 48/225; F21S 48/1233; F21S 48/1266; F21S 48/1388; F21S 48/2268; F21V 21/04; F21W 2103/35; F21W 3/40; F21W 2102/17; F21W 2102/30; F21W 2103/00; F21W 2103/55; F21W 2104/00; F21W 2107/17; F21W 2107/13

This application contains subject matter related to the following co-pending U.S. design patent applications: Application Ser. No. 29/676,466, filed Jan. 11, 2019 and entitled "HEADLIGHT FOR A VEHICLE"; and Application Ser. No. 29/725,361, filed herewith and entitled "HEADLIGHT FOR A VEHICLE".

See application file for complete search history.

FIG. 1 is a front view of a headlight for a vehicle according to the design;

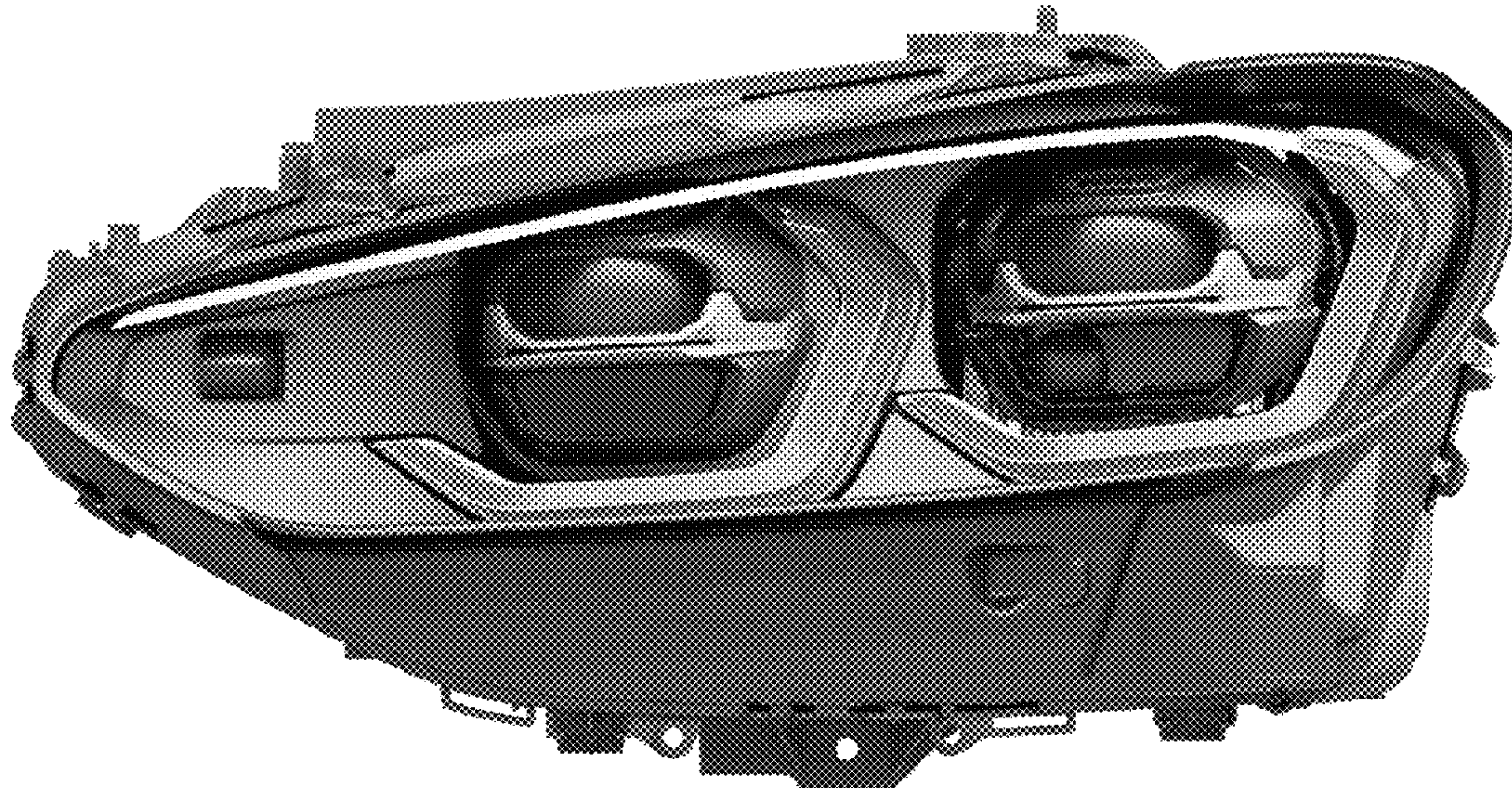
(56) **References Cited**

**U.S. PATENT DOCUMENTS**

D767,177 S 9/2016 Faghihzadeh  
D801,563 S 10/2017 Hannemann  
D827,885 S \* 9/2018 Hannemann ..... D26/28  
D828,590 S \* 9/2018 Hannemann ..... D26/28  
D835,313 S \* 12/2018 Jung ..... D26/28

FIG. 2 is a right, front perspective view thereof;  
FIG. 3 is a left, bottom perspective view thereof;  
FIG. 4 is a right side view thereof;  
FIG. 5 is a left side view thereof;  
FIG. 6 is a top view thereof;  
FIG. 7 is a bottom view thereof; and,  
FIG. 8 is a rear view thereof.

**1 Claim, 8 Drawing Sheets**



(56)

**References Cited**

U.S. PATENT DOCUMENTS

D891,652 S \* 7/2020 Metros ..... D26/28  
D893,772 S \* 8/2020 Binder ..... D26/28

\* cited by examiner



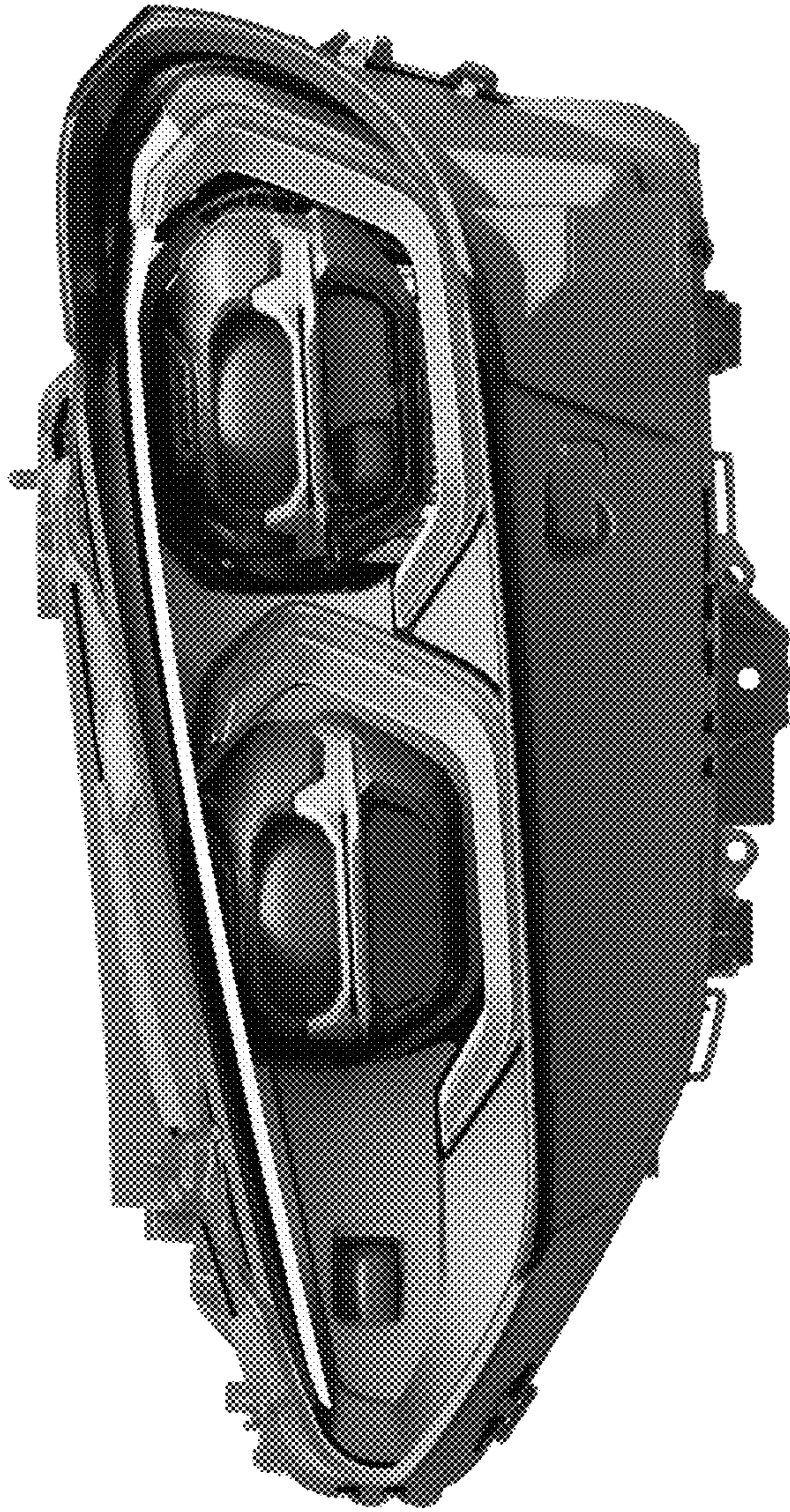


Fig. 1



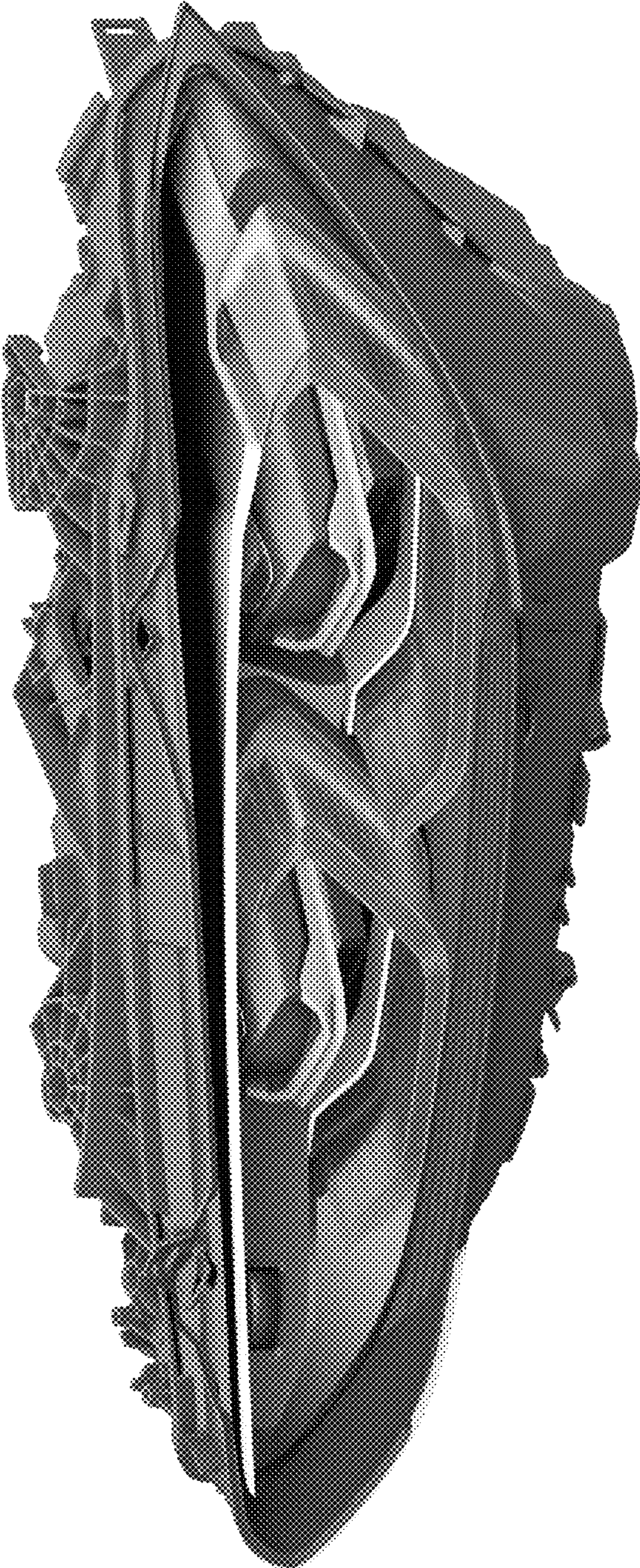


Fig. 2



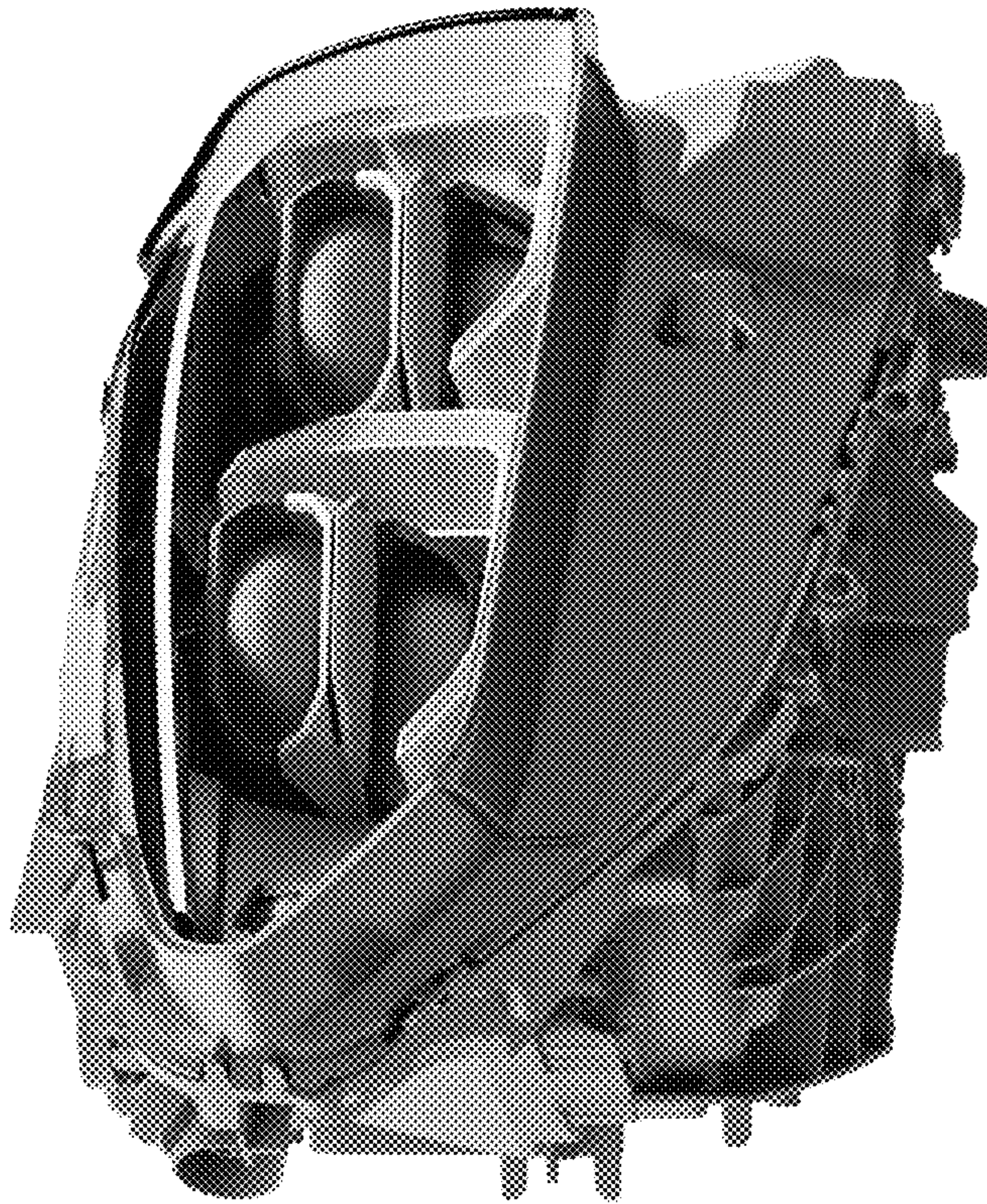


Fig. 3



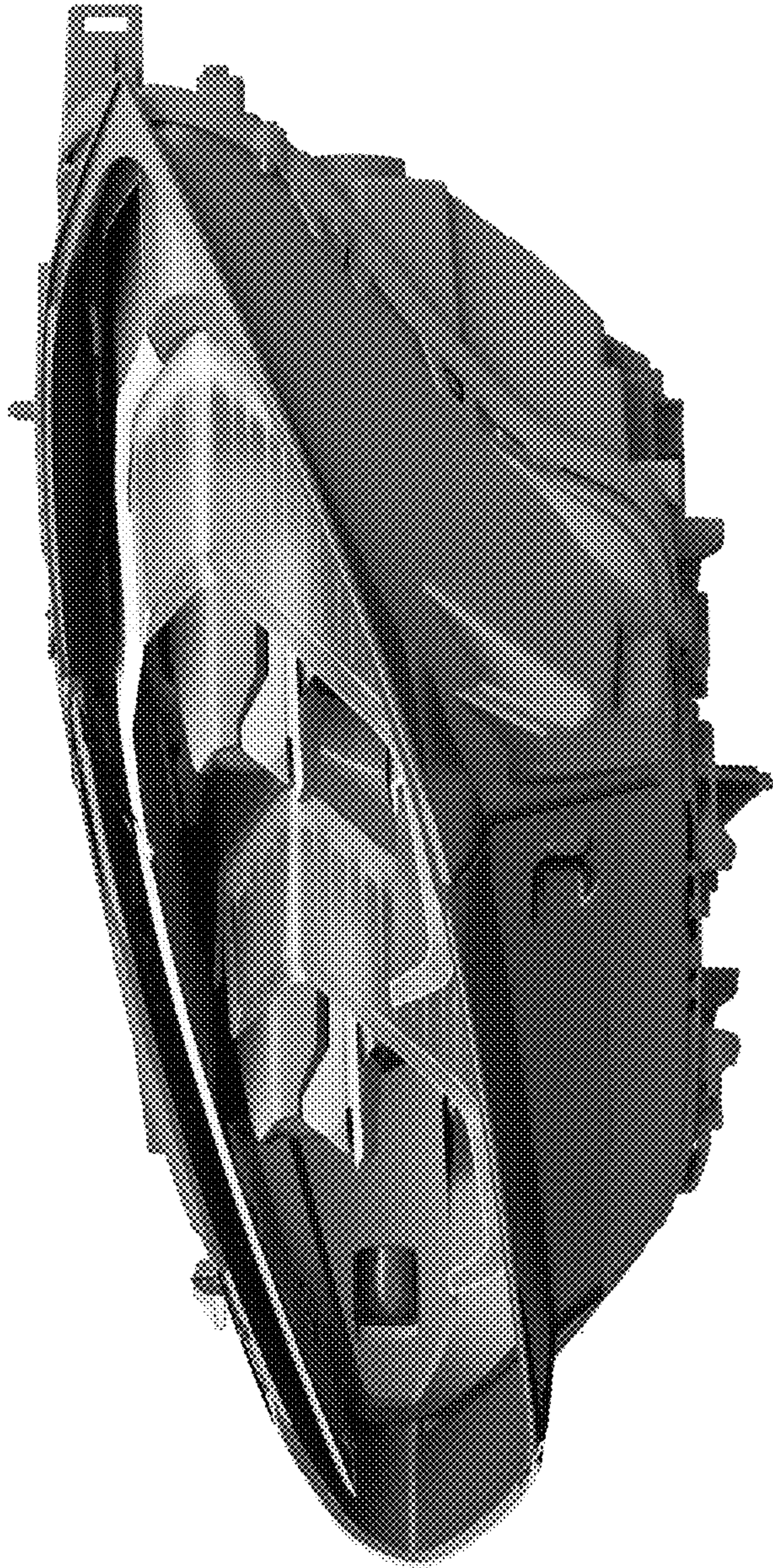


Fig. 4



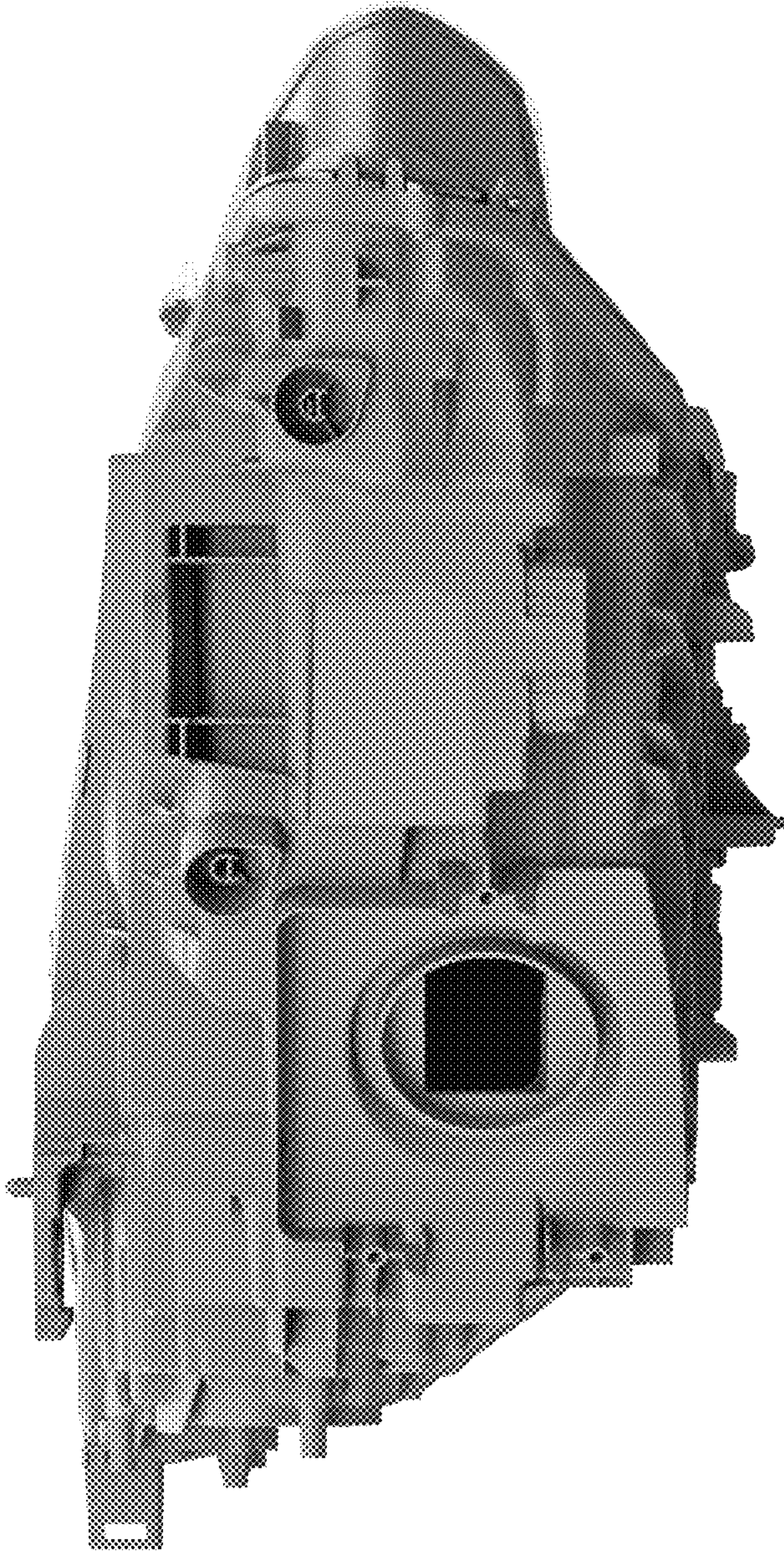


Fig. 5



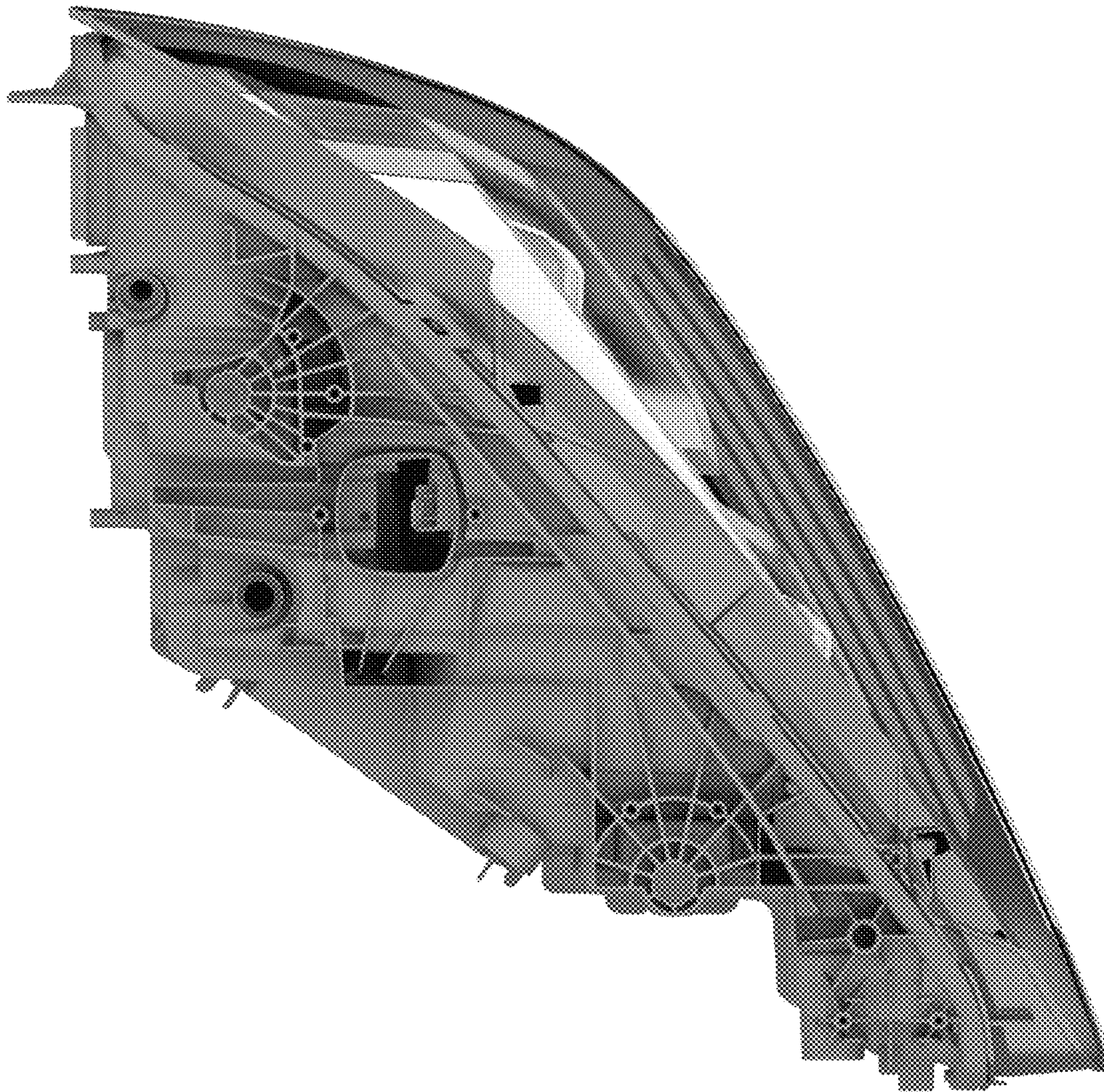


Fig. 6



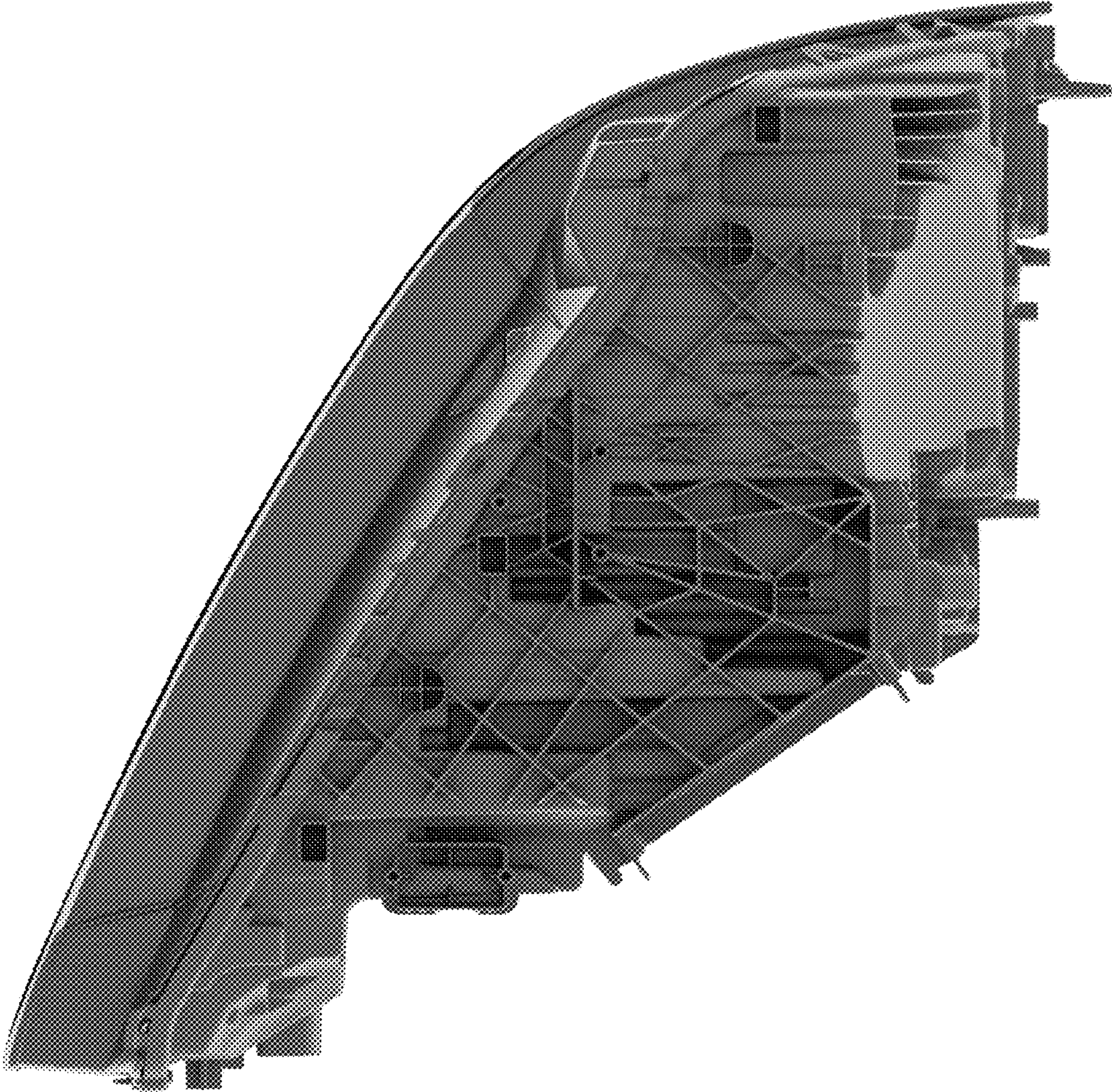


Fig. 7



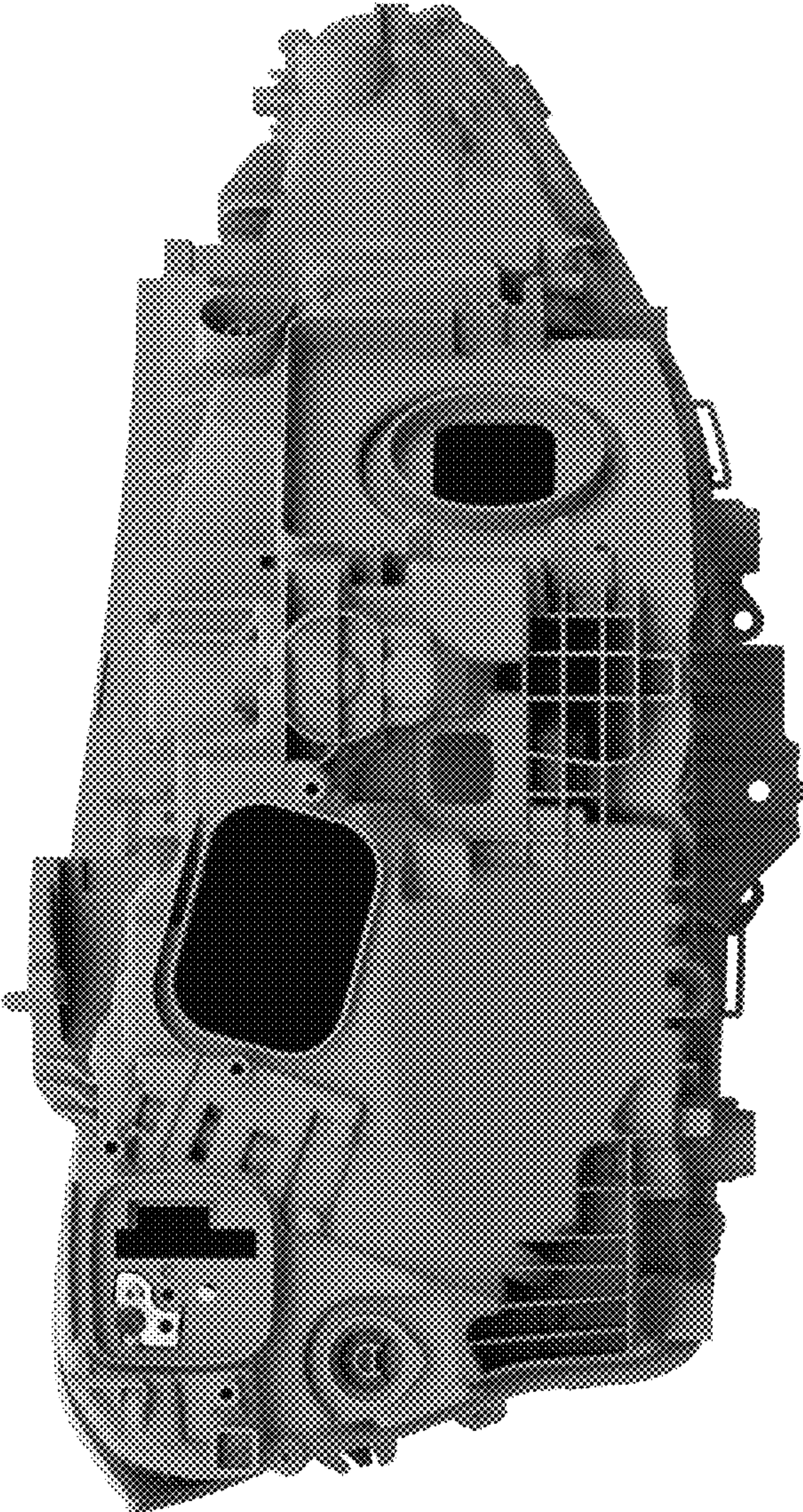


Fig. 8