



US00D923827S

(12) **United States Design Patent** (10) **Patent No.:** **US D923,827 S**
Loisch (45) **Date of Patent:** **** Jun. 29, 2021**

(54) **HEADLIGHT FOR A VEHICLE**
(71) Applicant: **Bayerische Motoren Werke Aktiengesellschaft, Munich (DE)**
(72) Inventor: **Felix Friederich Loisch, Munich (DE)**
(73) Assignee: **Bayerische Motoren Werke Aktiengesellschaft, Munich (DE)**
(**) Term: **15 Years**

D835,313 S * 12/2018 Jung D26/28
D843,615 S * 3/2019 Nordmann
D844,187 S * 3/2019 Nordmann D26/28
D852,999 S * 7/2019 Allmendinger D26/28
D853,607 S * 7/2019 Allmendinger D26/28
D866,023 S 11/2019 Hannemann
D866,024 S * 11/2019 Hannemann D26/28
D870,329 S * 12/2019 Binder D26/28
D883,533 S * 5/2020 Zhai D26/28
D889,697 S * 7/2020 Tovey D26/28
D891,652 S * 7/2020 Metros D26/28
D893,772 S * 8/2020 Binder D26/28

(21) Appl. No.: **29/725,361**

* cited by examiner

(22) Filed: **Feb. 25, 2020**

Primary Examiner — Angela J Lee

(30) **Foreign Application Priority Data**

(74) *Attorney, Agent, or Firm* — Crowell & Moring LLP

Sep. 3, 2019 (DE) 402019100943.4

(51) **LOC (13) Cl.** **26-06**

(52) **U.S. Cl.**
USPC **D26/28**

(58) **Field of Classification Search**
USPC D26/28, 29, 30, 31, 32, 33, 34, 35, 36,
D26/44

CPC F21S 48/00; F21S 48/10; F21S 48/115;
F21S 48/225; F21S 48/1233; F21S
48/1266; F21S 48/1388; F21S 48/2268;
F21V 21/04; F21W 2103/35; F21W 3/40;
F21W 2102/17; F21W 2102/30; F21W
2103/00; F21W 2103/55; F21W 2104/00;
F21W 2107/17; F21W 2107/13

See application file for complete search history.

(56) **References Cited**

U.S. PATENT DOCUMENTS

D743,065 S 11/2015 Weil
D827,884 S 9/2018 Hannemann
D827,885 S * 9/2018 Hannemann D26/28
D828,590 S 9/2018 Hannemann

(57) **CLAIM**

The ornamental design for a headlight for a vehicle, as shown and described.

DESCRIPTION

This application contains subject matter related to the following co-pending U.S. design patent applications: application Ser. No. 29/725,345, filed herewith and entitled “Vehicle, Toy, and/or Replicas Thereof”; application Ser. No. 29/725,353, filed herewith and entitled “Vehicle, Toy, and/or Replicas Thereof”; and application Ser. No. 29/725,362, filed herewith and entitled “Headlight for a Vehicle”.

FIG. 1 is a front view of a headlight for a vehicle according to the design;

FIG. 2 is a right, front perspective view thereof;

FIG. 3 is a left, bottom perspective view thereof;

FIG. 4 is a right side view thereof;

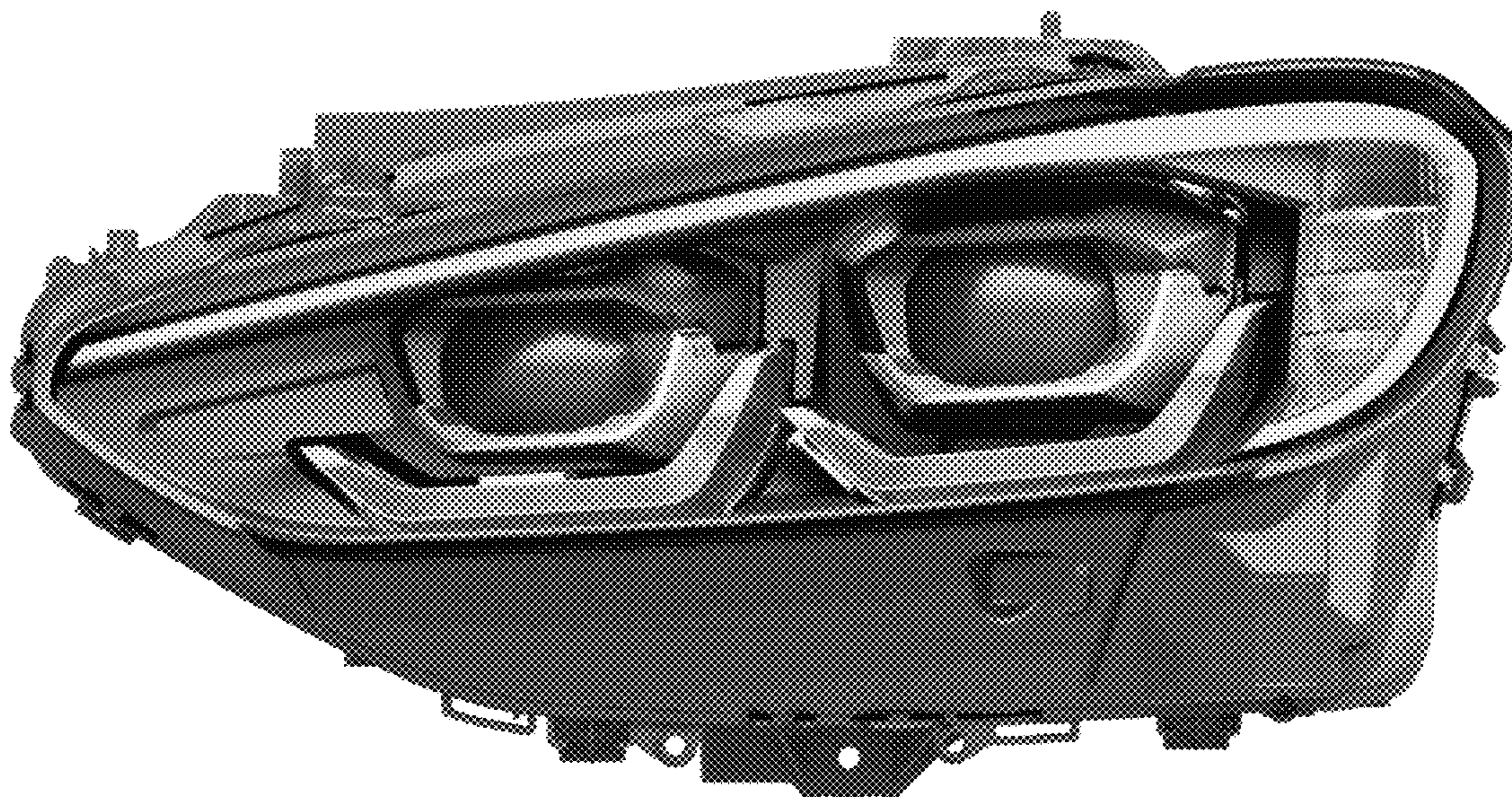
FIG. 5 is a left side view thereof;

FIG. 6 is a top view thereof;

FIG. 7 is a bottom view thereof; and,

FIG. 8 is a rear view thereof.

1 Claim, 8 Drawing Sheets



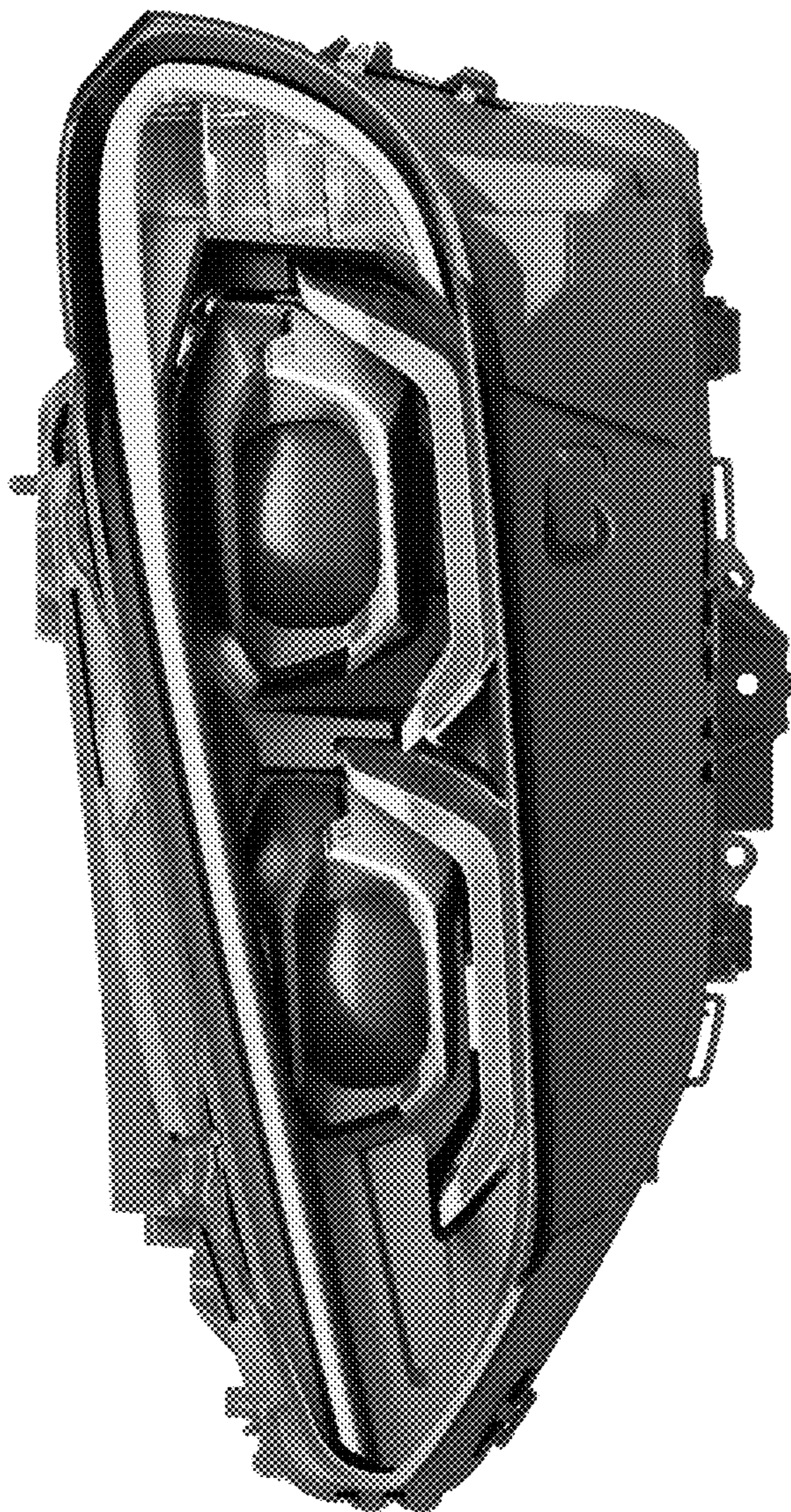


Fig. 1

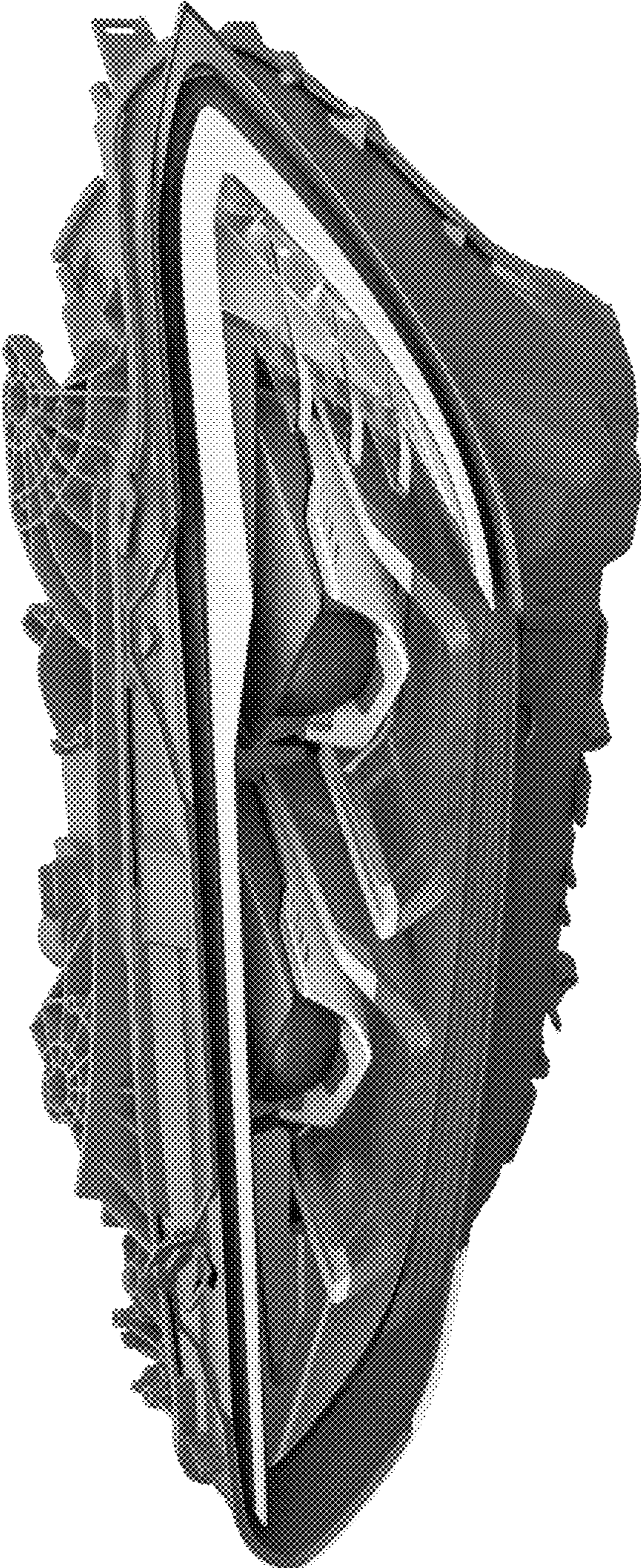


Fig. 2

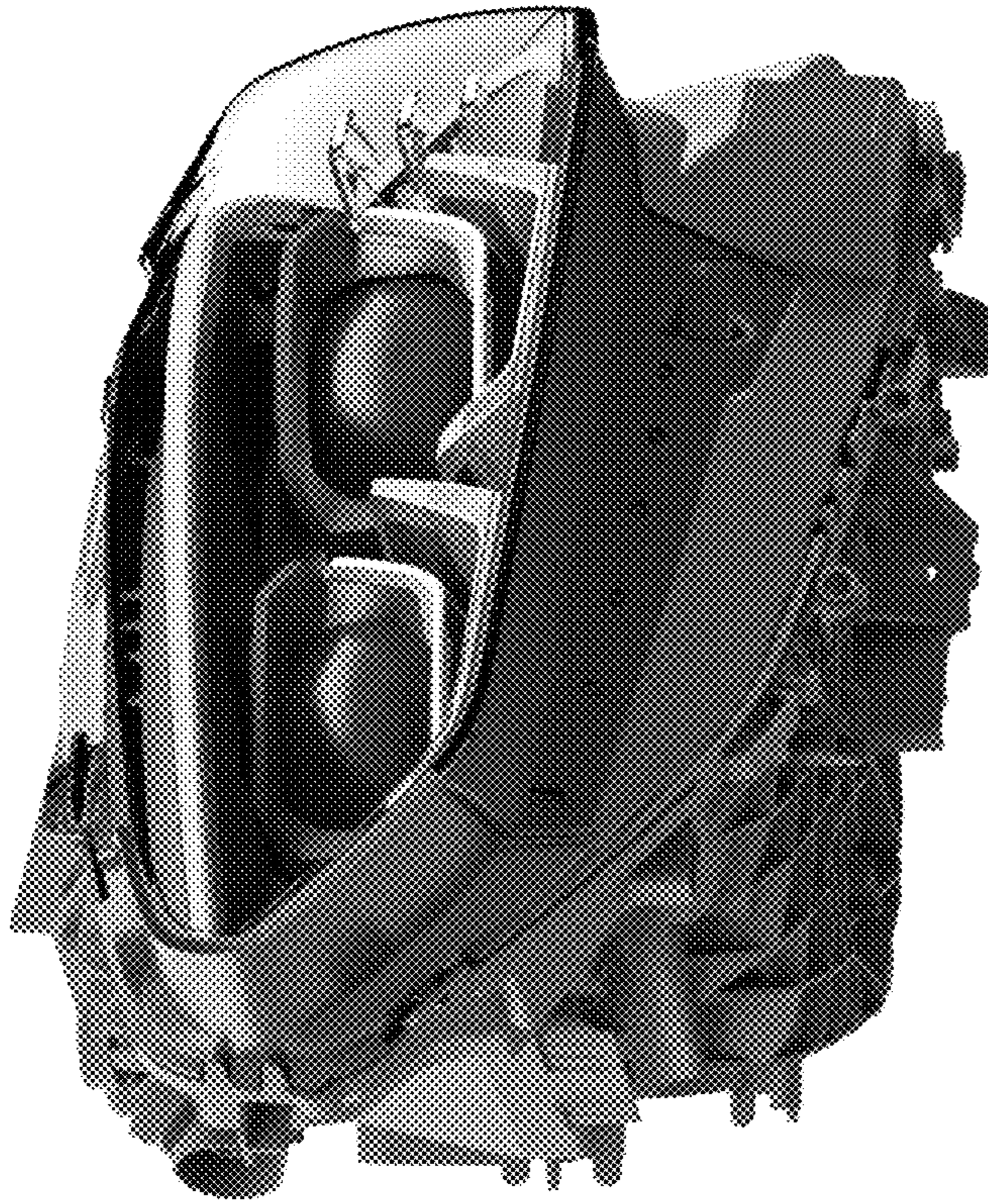


Fig. 3

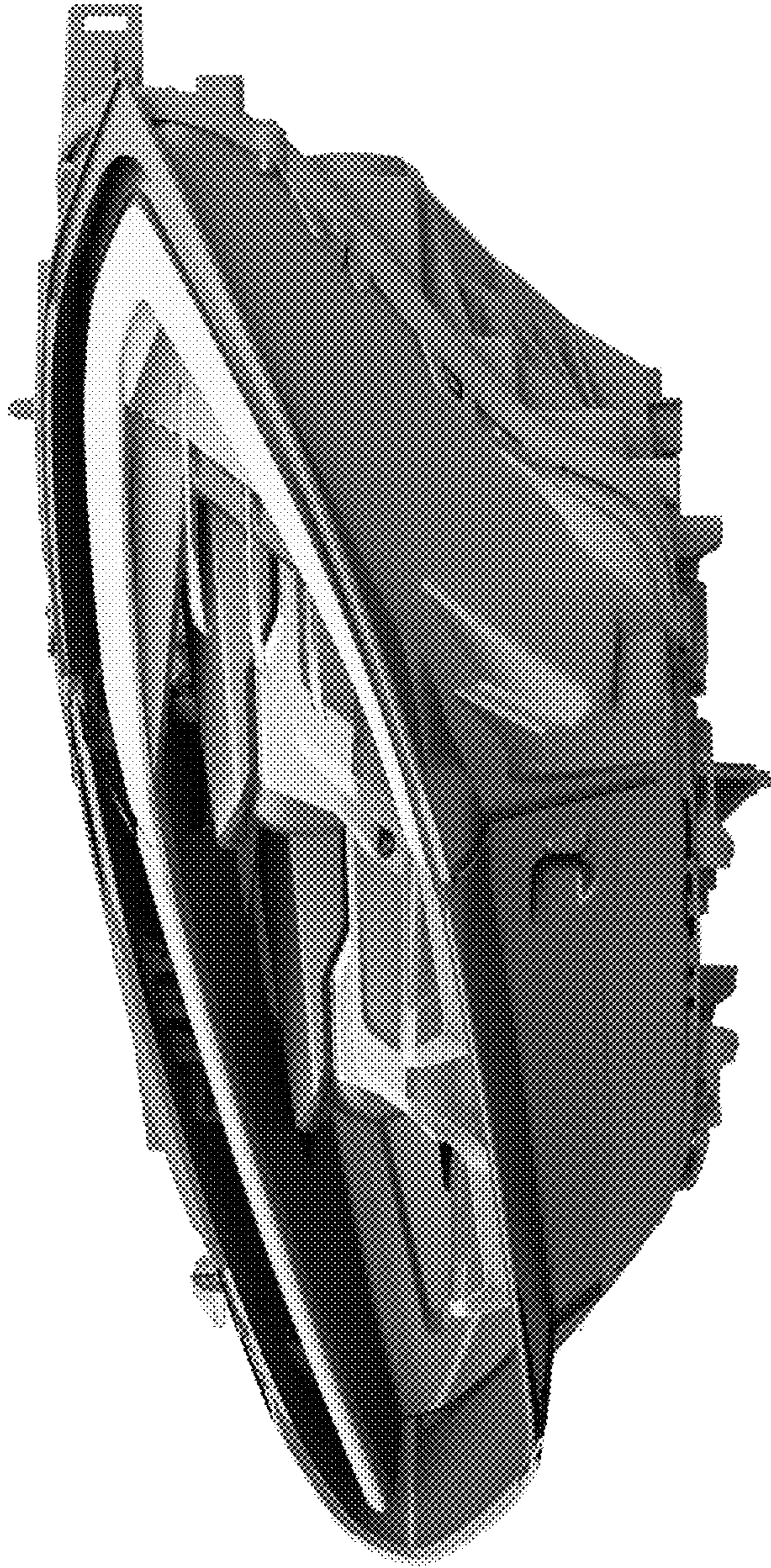


Fig. 4

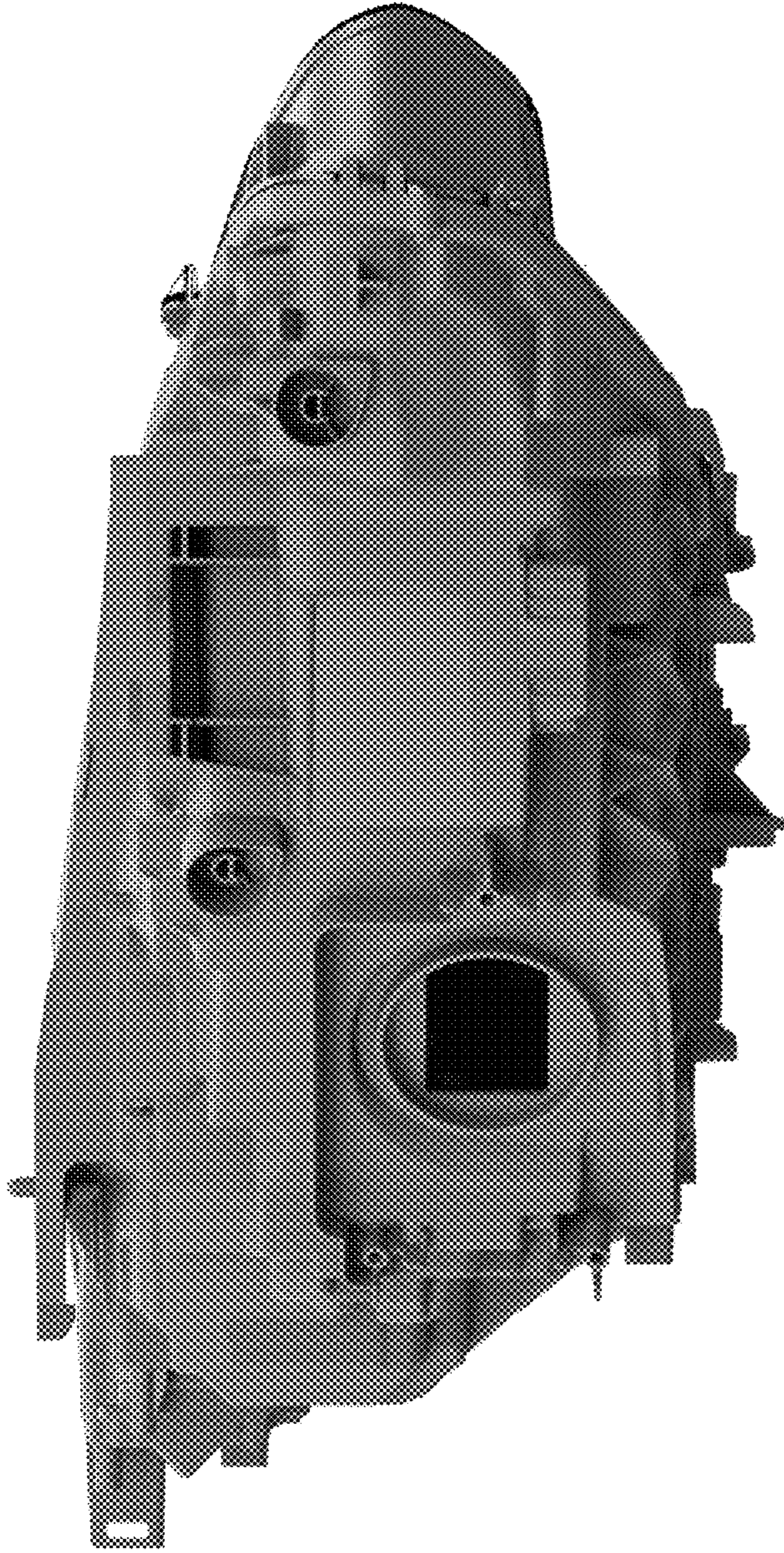


Fig. 5

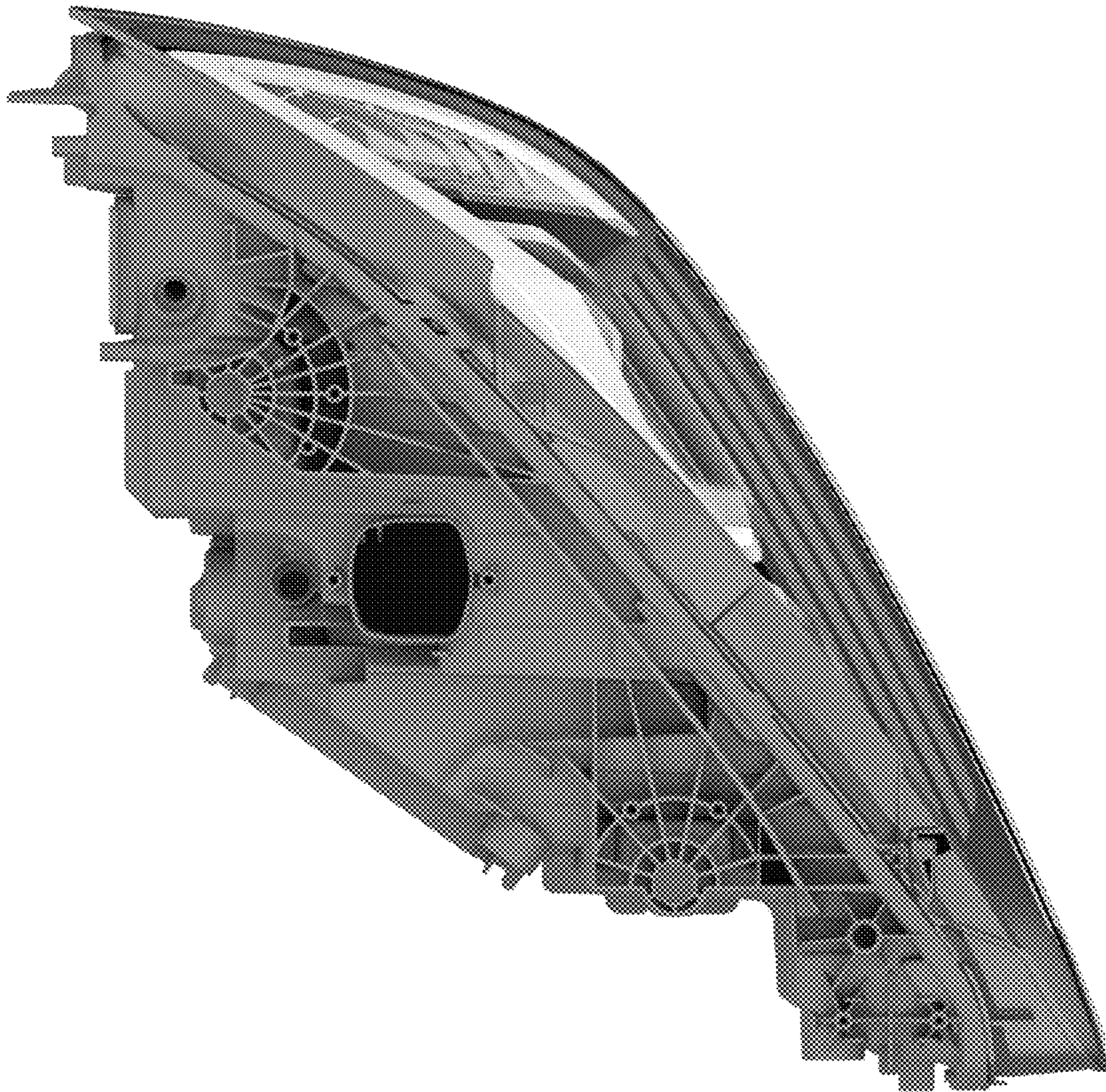


Fig. 6

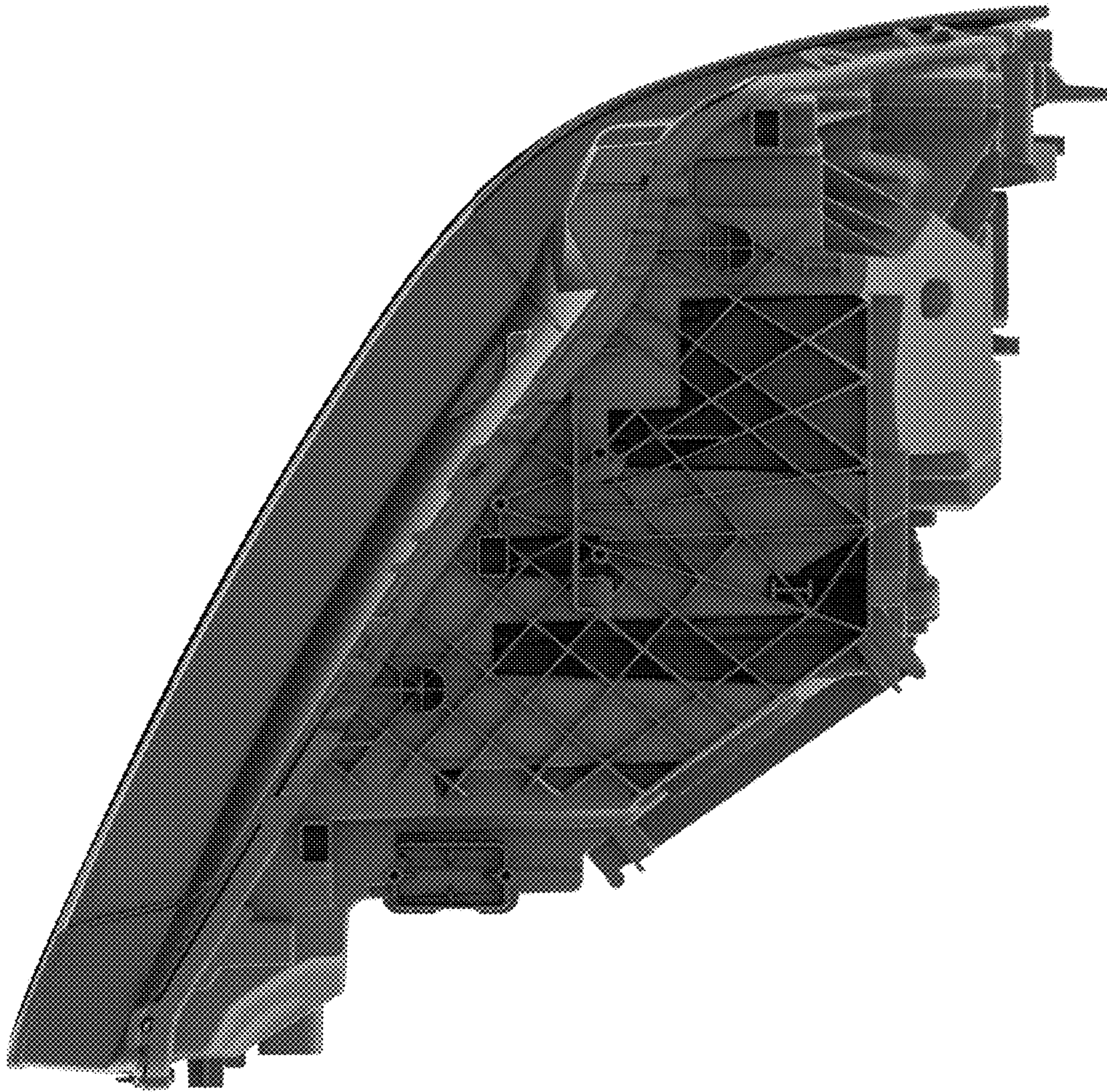


Fig. 7

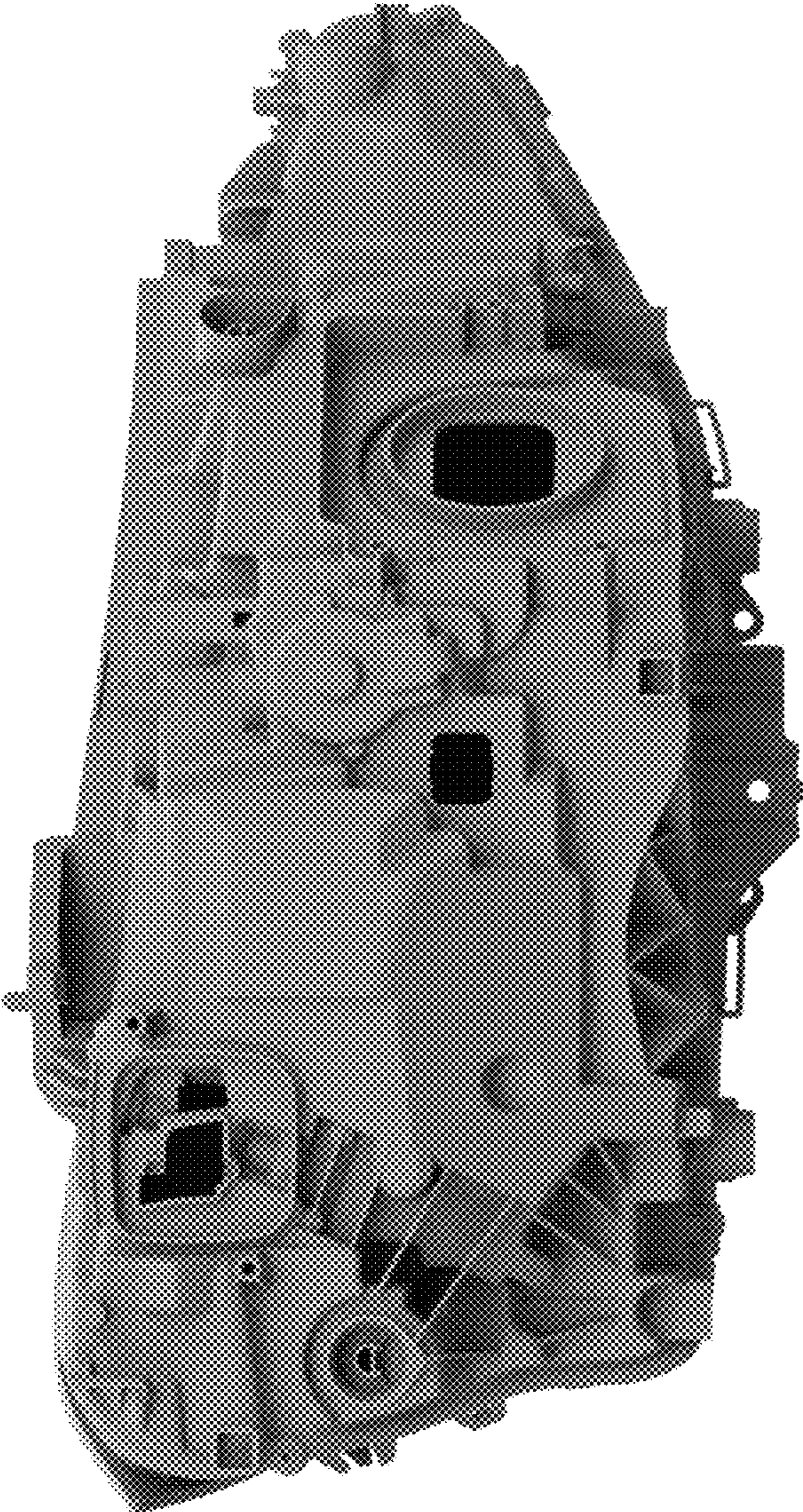


Fig. 8