



US00D923826S

(12) **United States Design Patent**
Wang

(10) **Patent No.:** **US D923,826 S**
(45) **Date of Patent:** **** Jun. 29, 2021**

(54) **LED MODULE**
(71) Applicant: **Bestco Lighting Co., Ltd., Zhongshan (CN)**
(72) Inventor: **Zhicheng Wang, Yunfu (CN)**
(73) Assignee: **Bestco Lighting Co., Ltd., ZhongShan (CN)**
(**) Term: **15 Years**
(21) Appl. No.: **29/703,190**

D647,226 S * 10/2011 Huang D26/2
8,342,716 B2 * 1/2013 Lin F21V 31/005
362/294
D680,247 S * 4/2013 Lee D26/2
D707,876 S * 6/2014 Reed D26/118
D741,507 S * 10/2015 Mishin D26/2
9,506,641 B2 * 11/2016 Liu F21V 17/002
D791,369 S * 7/2017 Zhang D26/2
D791,370 S * 7/2017 Zhang D26/2
D803,427 S * 11/2017 Germain D26/2
D825,085 S * 8/2018 Jian D26/28
D838,007 S * 1/2019 Chen D26/1
D840,586 S * 2/2019 Scarlata D26/138
D851,292 S * 6/2019 Pan D26/2
10,309,623 B2 * 6/2019 Nanni F21V 19/0055
D861,936 S * 10/2019 Li D26/28

(22) Filed: **Aug. 26, 2019**
(51) **LOC (13) Cl.** **26-06**
(52) **U.S. Cl.**
USPC **D26/28; D26/2**
(58) **Field of Classification Search**
USPC D26/1, 2, 3, 14, 25, 28, 60, 72, 74, 120,
D26/123, 124, 134, 135, 136, 137
CPC F21V 29/00; F21V 29/74; F21V 29/76;
F21V 29/763; F21V 7/00; F21V 7/04;
F21Y 2115/00; F21Y 2115/15; F21S
8/02; F21S 43/14; F21S 43/145; F21W
2131/10; H01L 2924/12041
See application file for complete search history.

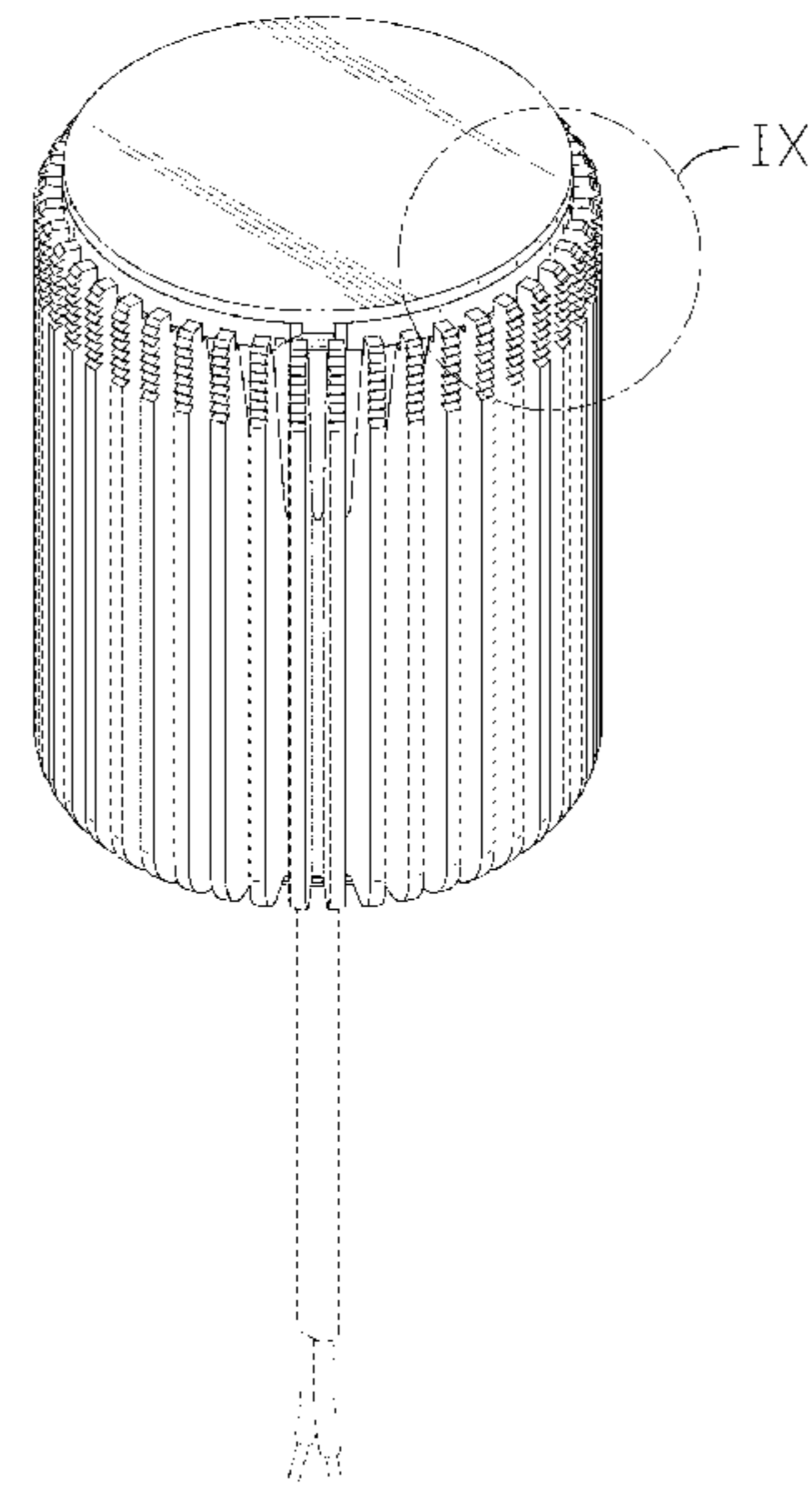
(Continued)
Primary Examiner — Wan Laymon
Assistant Examiner — Clint A Samuel
(74) *Attorney, Agent, or Firm* — ScienBiziP, P.C.

(56) **References Cited**
U.S. PATENT DOCUMENTS
D602,180 S * 10/2009 Foo D26/2
D608,492 S * 1/2010 Zaderej D26/123
D608,493 S * 1/2010 Zaderej D26/123
D642,289 S * 7/2011 Kleene D26/1
D642,703 S * 8/2011 Li D26/2
D644,353 S * 8/2011 Layevsky D26/2
D644,354 S * 8/2011 Layevsky D26/2
7,988,336 B1 * 8/2011 Harbers F21K 9/20
362/294
D645,580 S * 9/2011 Yoshinobu D26/2
D646,406 S * 10/2011 Tsai D26/2

(57) **CLAIM**
The ornamental design for a LED module, as shown and described.

DESCRIPTION
FIG. 1 is a perspective view of a LED module, showing my new design;
FIG. 2 is another perspective view thereof;
FIG. 3 is a front view thereof;
FIG. 4 is a rear view thereof;
FIG. 5 is a left side view thereof;
FIG. 6 is a right side view thereof;
FIG. 7 is a top plan view thereof;
FIG. 8 is a bottom plan view thereof; and,
FIG. 9 is an enlarged view of a circled portion IX thereof.
The broken lines shown are included for the purpose of illustrating portions of the LED module which form no part of the claimed design.

1 Claim, 9 Drawing Sheets



(56)

References Cited

U.S. PATENT DOCUMENTS

D862,743 S * 10/2019 Kang D26/2
D862,789 S * 10/2019 Treible, Jr. D26/138
D869,031 S * 12/2019 Zhang D26/28
D889,000 S * 6/2020 Zheng D26/28
D890,370 S * 7/2020 Pan D26/28
D894,449 S * 8/2020 Wang D26/28
D899,639 S * 10/2020 Li D26/28
D899,640 S * 10/2020 Li D26/28
D908,272 S * 1/2021 Tan D26/120
D910,211 S * 2/2021 Singh D26/2
D910,212 S * 2/2021 Singh D26/2
D910,213 S * 2/2021 Singh D26/2
D910,217 S * 2/2021 Li D26/28
D910,887 S * 2/2021 Singh D26/2
D910,888 S * 2/2021 Singh D26/2
D913,550 S * 3/2021 Wang D26/28
2010/0270922 A1 * 10/2010 Lin F21V 31/005
315/32
2011/0019409 A1 * 1/2011 Wronski F21V 29/74
362/235
2015/0124446 A1 * 5/2015 Min F21V 7/24
362/235
2019/0128496 A1 * 5/2019 Shi F21S 45/47
2020/0240613 A1 * 7/2020 Merriam F21V 5/02

* cited by examiner

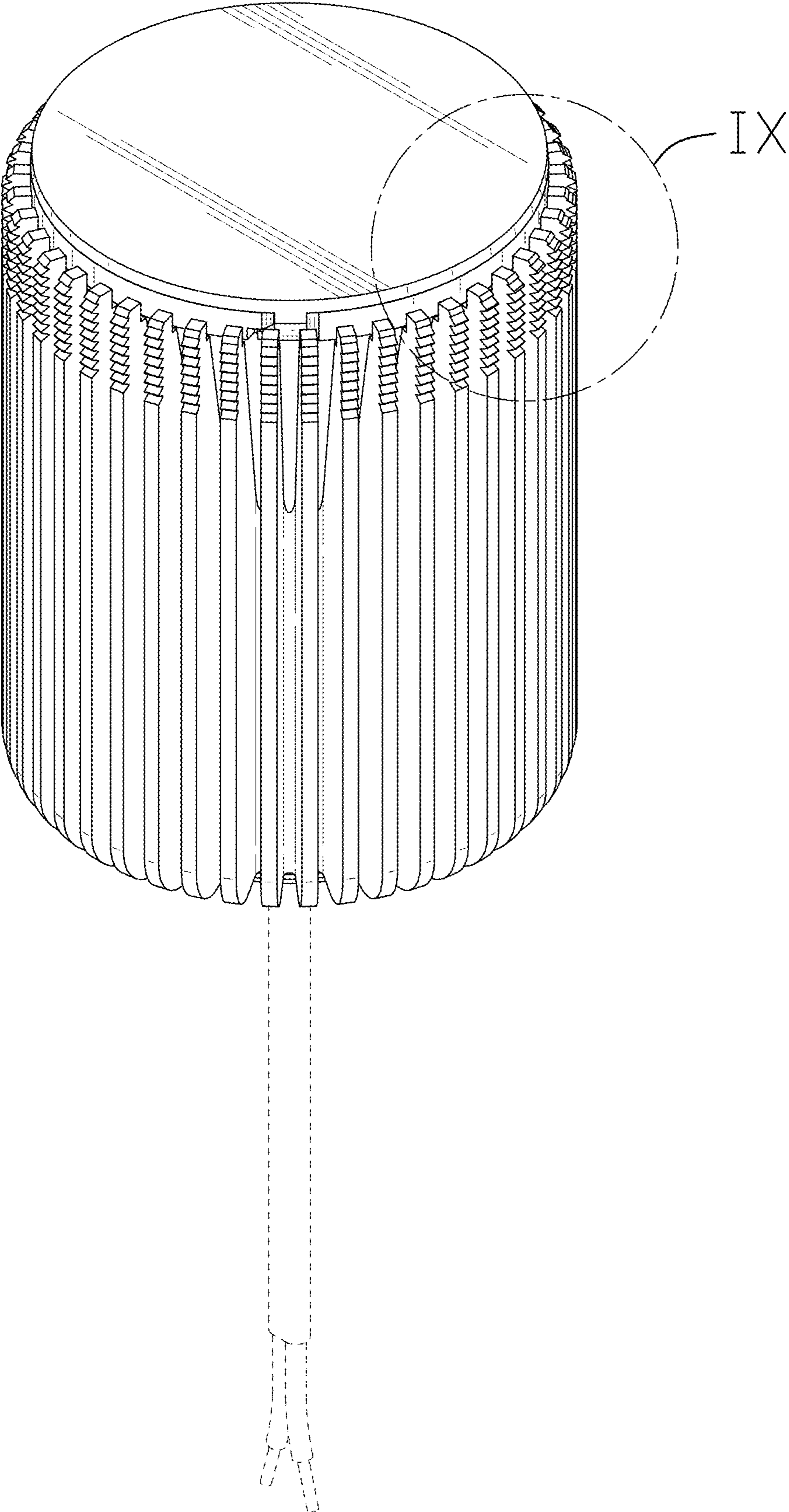


FIG. 1

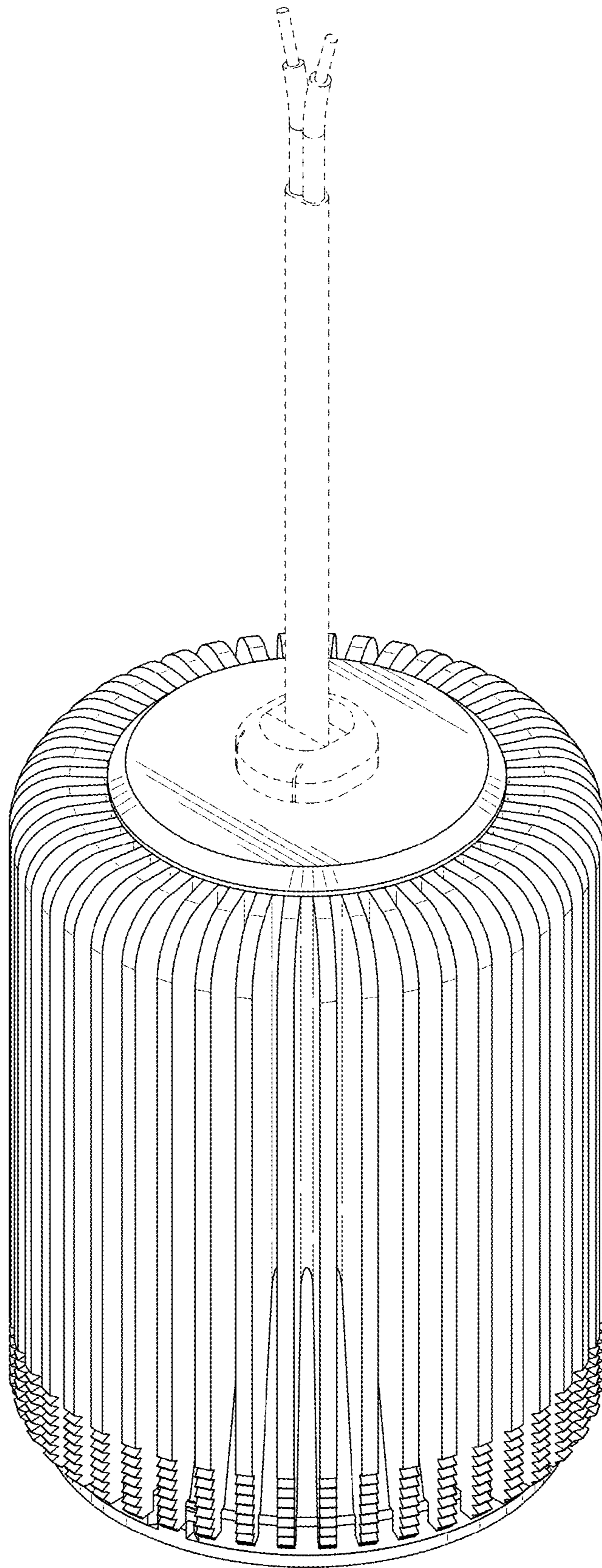


FIG. 2

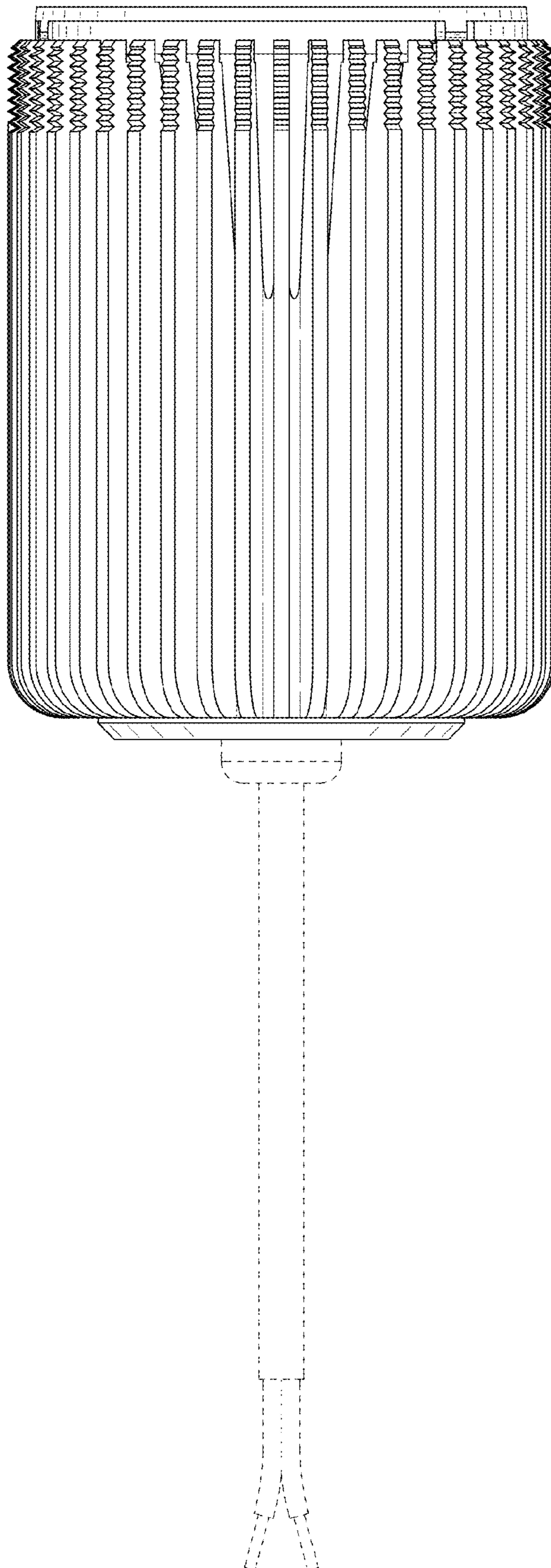


FIG. 3

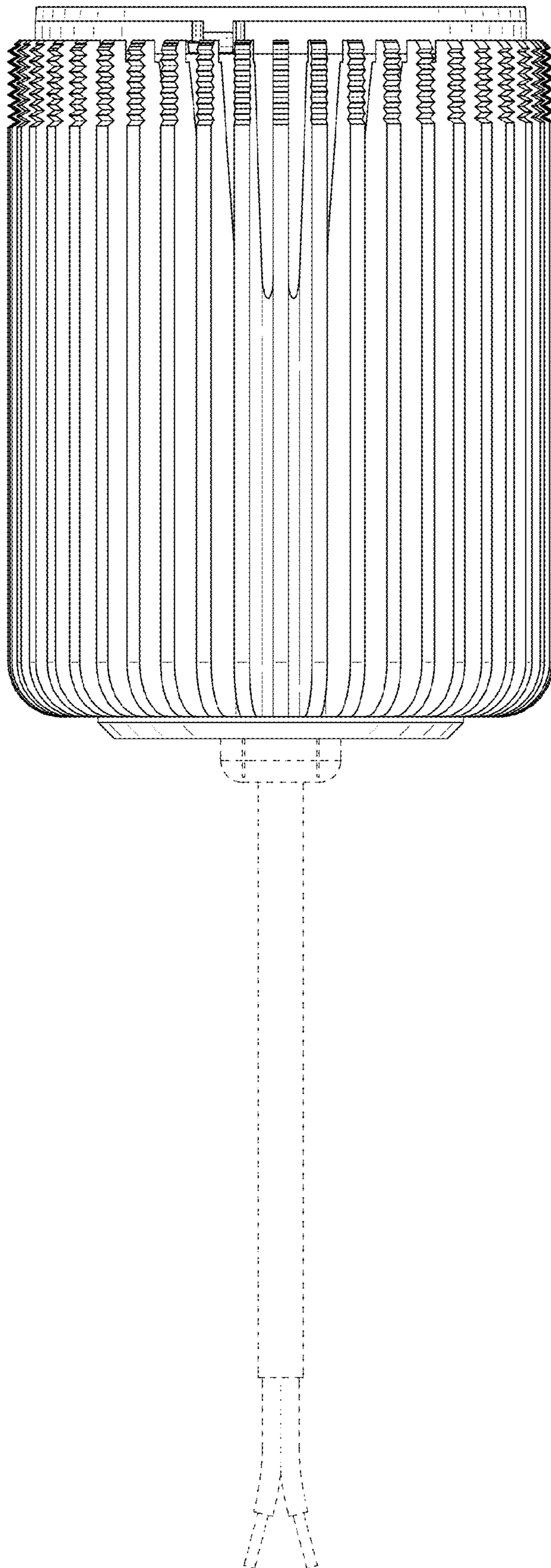


FIG. 4

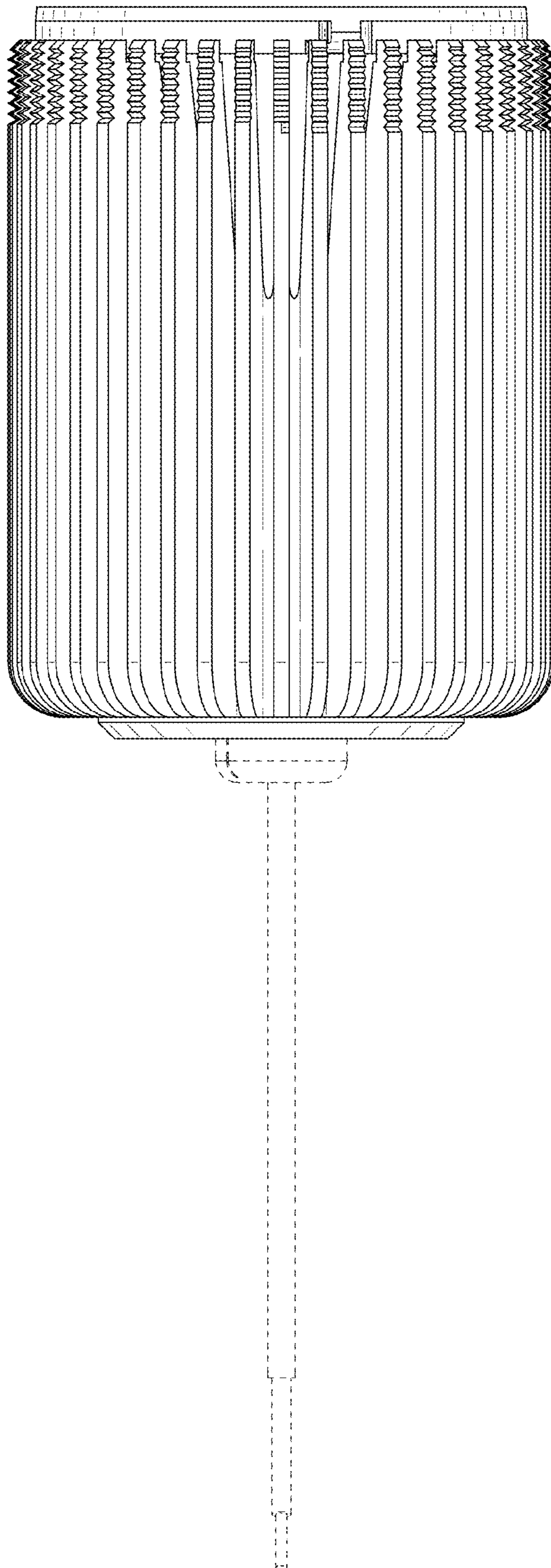


FIG. 5

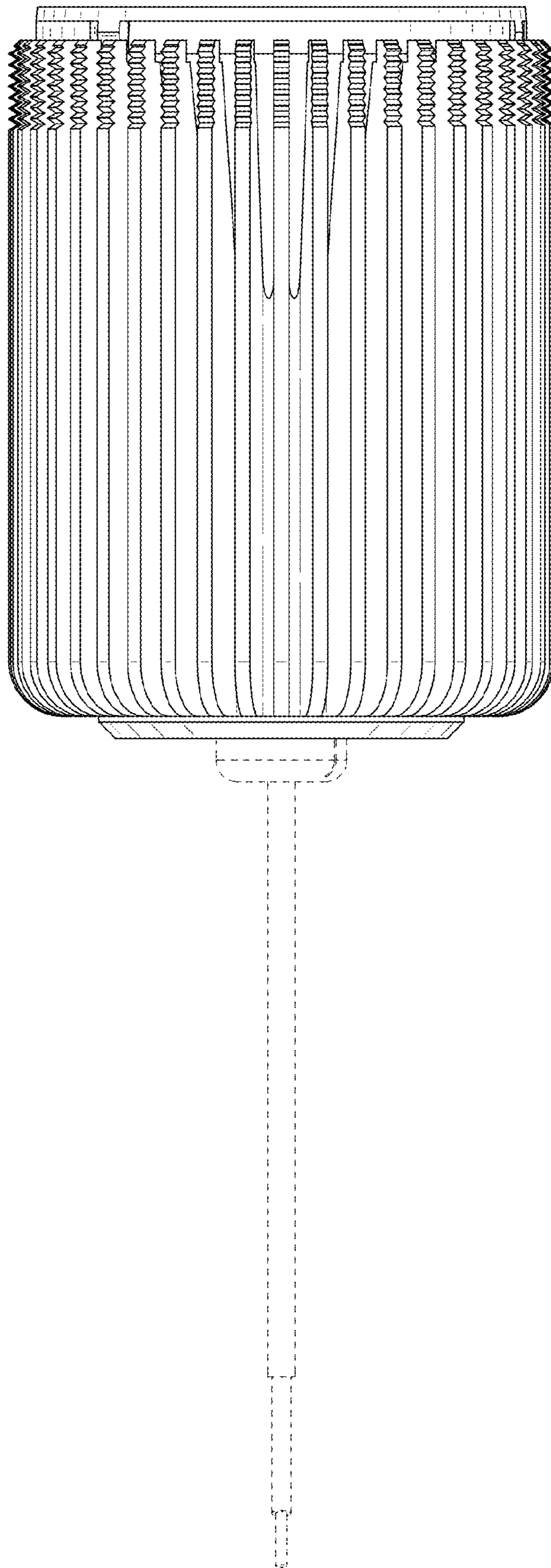


FIG. 6

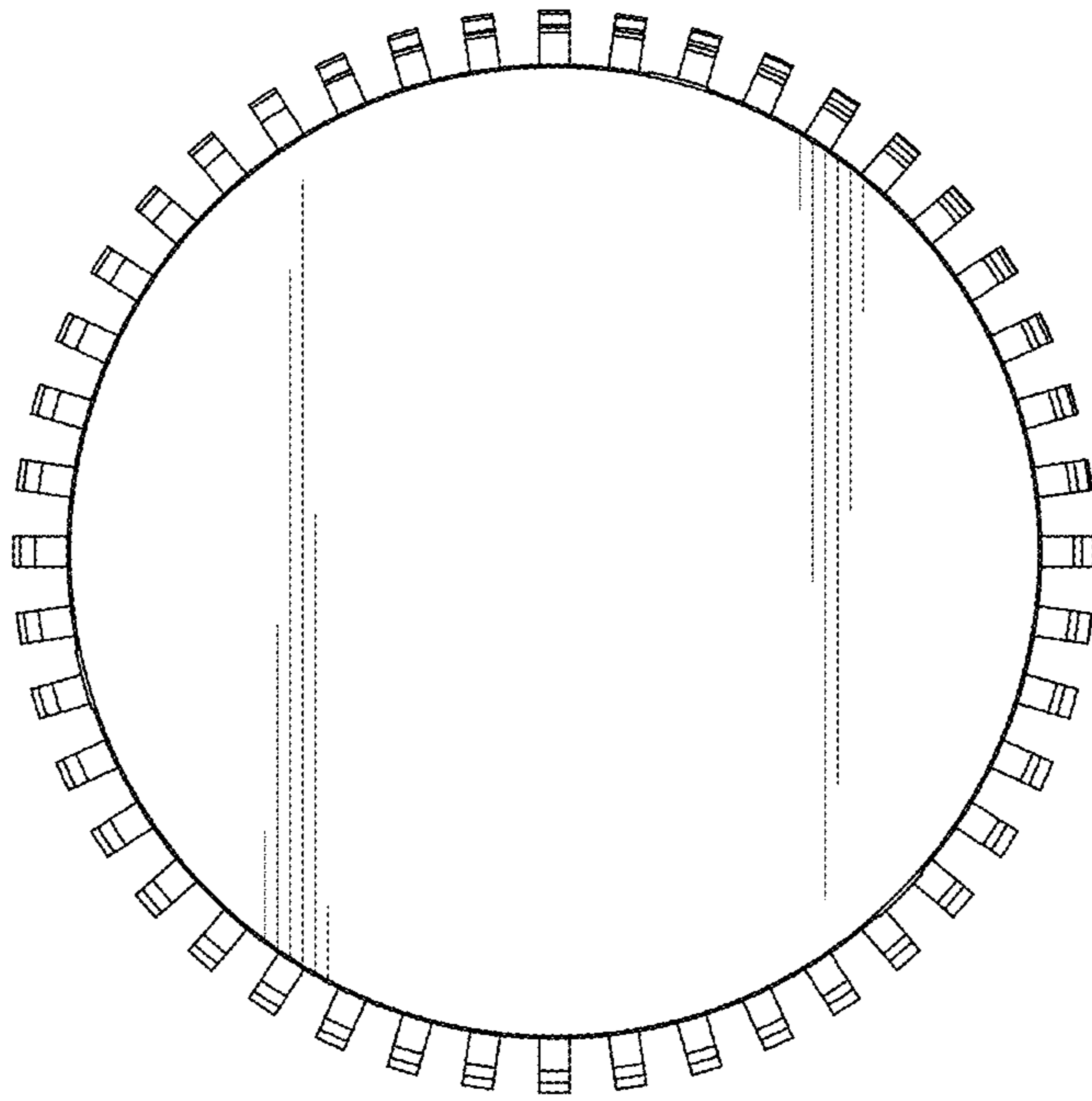


FIG. 7

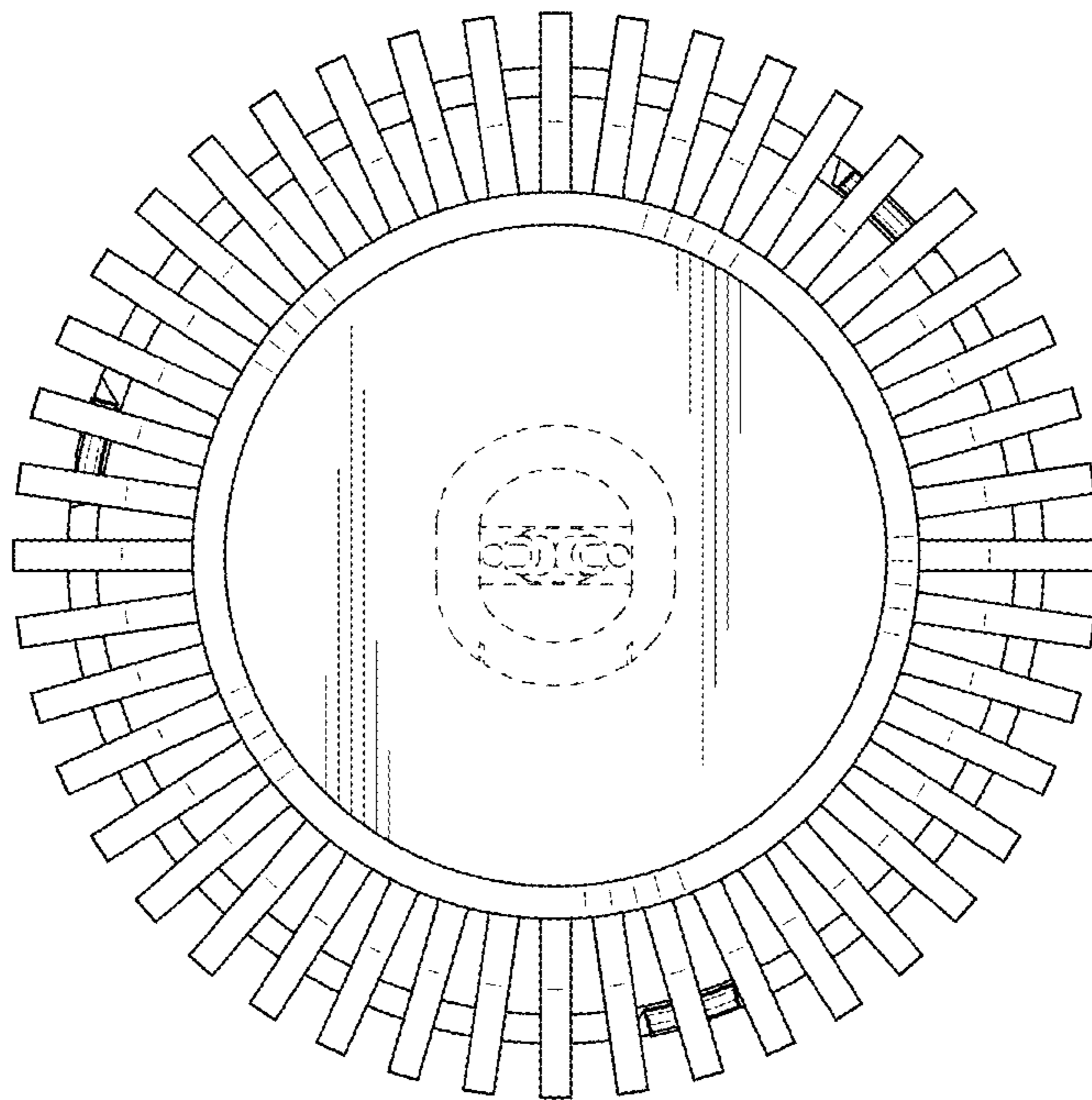


FIG. 8

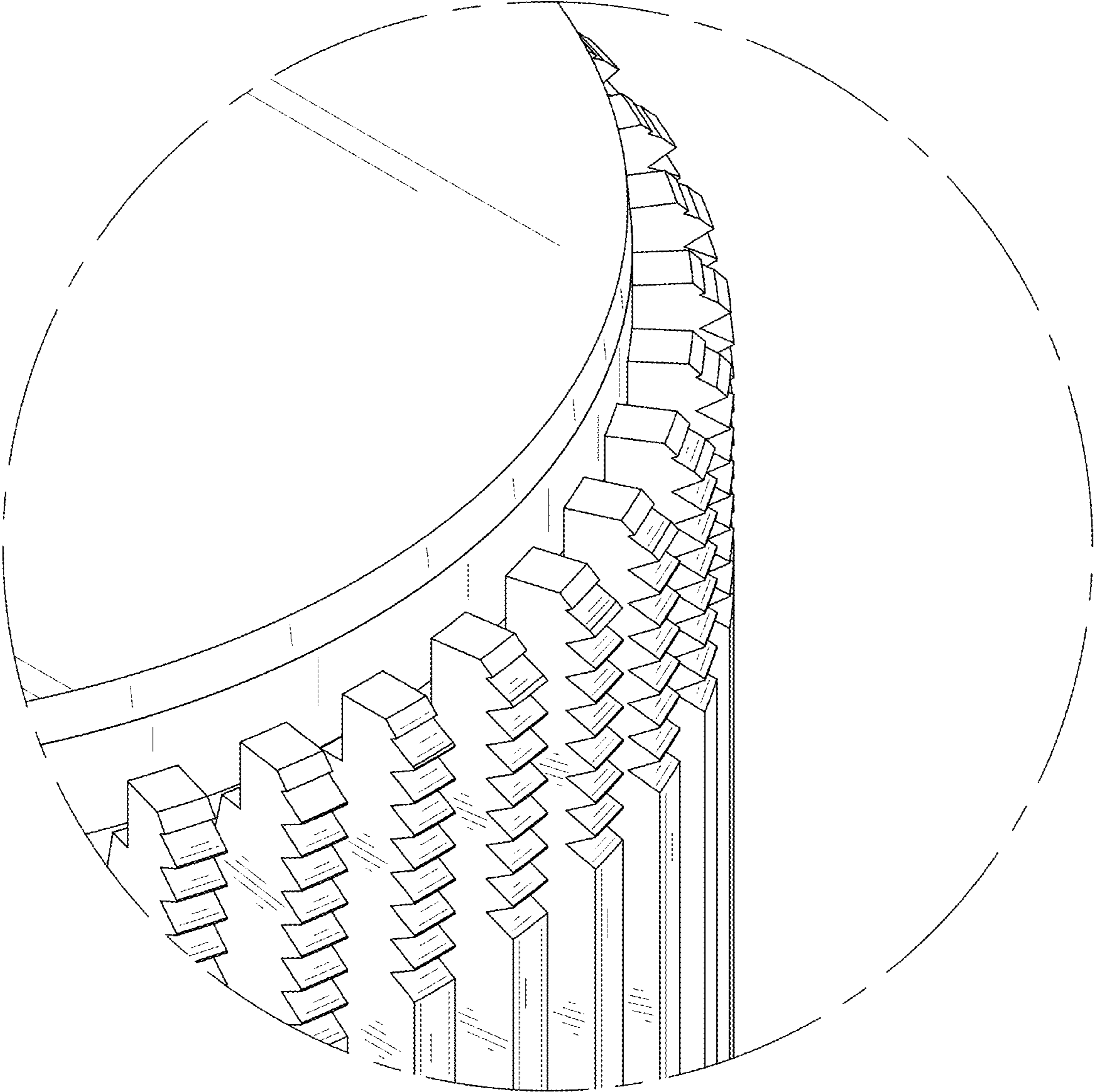


FIG. 9