



US00D923824S

(12) **United States Design Patent** (10) **Patent No.:** **US D923,824 S**
Zombek (45) **Date of Patent:** **** *Jun. 29, 2021**

(54) **ARCHITECTURAL METAL BUILDING
PANEL**

E04F 2201/0115; E04F 13/007; E04F
13/0803; E04F 13/16

See application file for complete search history.

(71) Applicant: **NCI Group, Inc.**, Houston, TX (US)

(56) **References Cited**

(72) Inventor: **Thomas J. Zombek**, Canonsburg, PA
(US)

U.S. PATENT DOCUMENTS

(73) Assignee: **NCI GROUP, INC.**, Houston, TX (US)

308,826 A	12/1884	Butz	
520,371 A	5/1894	Mullins	
1,329,794 A	2/1920	Moomaw	
2,406,863 A	9/1946	Swann	
2,442,977 A *	6/1948	Hirsch E04F 13/0889
			52/483.1
2,809,017 A	10/1957	Wong	
3,041,784 A	7/1962	Facer et al.	
3,218,772 A	11/1965	Martin	
3,305,994 A	2/1967	Amrhein et al.	
4,178,731 A	12/1979	Petersson	
4,188,762 A	2/1980	Tellman	
D259,143 S	5/1981	Akkinson	
4,486,998 A	12/1984	Hague	

(*) Notice: This patent is subject to a terminal disclaimer.

(**) Term: **15 Years**

(21) Appl. No.: **29/693,832**

(22) Filed: **Jun. 5, 2019**

(Continued)

Related U.S. Application Data

OTHER PUBLICATIONS

(62) Division of application No. 29/654,492, filed on Jun. 25, 2018, now Pat. No. Des. 868,296, which is a division of application No. 29/588,545, filed on Dec. 21, 2016, now Pat. No. Des. 866,801, which is a division of application No. 29/494,091, filed on Jun. 17, 2014, now Pat. No. Des. 778,465, which is a division of application No. 29/434,163, filed on Oct. 10, 2012, now Pat. No. Des. 713,978.

Design U.S. Appl. No. 29/588,545, Notice of Allowance dated Jun. 25, 2019, 6 pgs.

(Continued)

(51) **LOC (13) Cl.** **25-01**

Primary Examiner — Kimberly Barnes

(52) **U.S. Cl.**

(74) *Attorney, Agent, or Firm* — Foley & Lardner LLP

USPC **D25/141**

(58) **Field of Classification Search**

USPC D25/138, 139, 141, 144, 119, 121
CPC E04C 2002/004; E04C 2002/005; E04C
2/08; E04C 2/30; E04C 2/243; E04F
13/08; E04F 13/0876; E04F 13/0864;

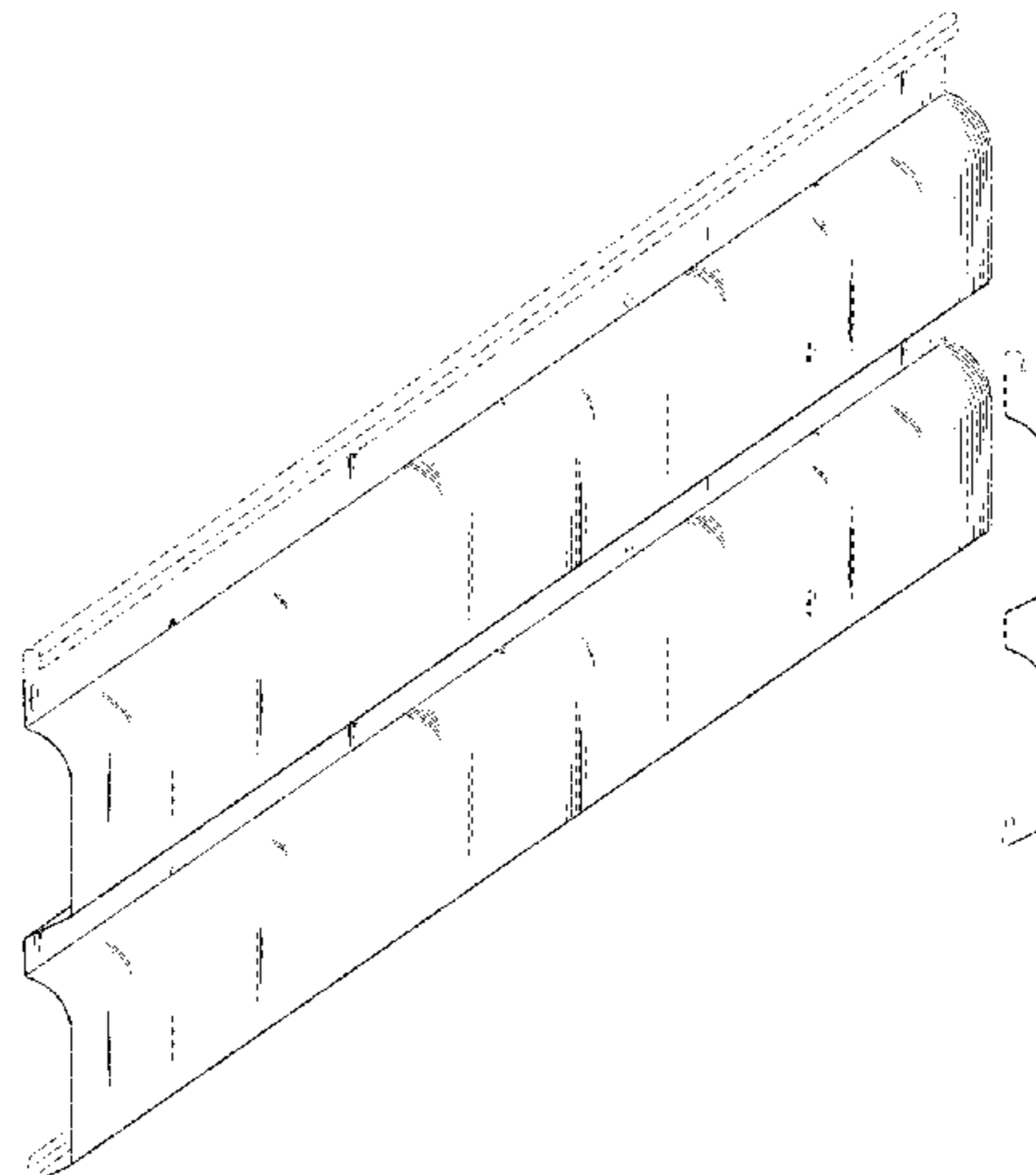
(57) **CLAIM**

I claim the ornamental design for an architectural metal building panel, as shown and described.

DESCRIPTION

FIG. 1 is an upper left front perspective view of an architectural metal building panel showing my new design; FIG. 2 is a left side view thereof; and, FIG. 3 is a front view thereof. The evenly broken lines in FIGS. 1-3 depict portions of the architectural metal building panel that form no part of the

(Continued)



claimed design. The dash-dot-dash lines depict the boundaries of the architectural metal building panel and form no part thereof.

1 Claim, 2 Drawing Sheets

(56)

References Cited

U.S. PATENT DOCUMENTS

4,570,404	A	2/1986	Knudson
4,651,493	A	3/1987	Carey
5,465,543	A	11/1995	Seifert
5,524,409	A	6/1996	Kaiser
5,651,227	A	7/1997	Anderson
5,752,355	A	5/1998	Sahramaa
5,775,042	A	7/1998	Mowery et al.
5,875,592	A	3/1999	Allman et al.
5,911,663	A	6/1999	Eidson
D421,137	S	2/2000	Marshall
6,141,932	A	11/2000	Tarrant
D449,120	S	10/2001	Kulik
D479,751	S	9/2003	Schofield
D497,434	S	10/2004	Brabeck
6,823,799	B2	11/2004	Gleave
D527,834	S	9/2006	Thimons et al.
D538,948	S	3/2007	Thimons et al.
7,186,457	B1	3/2007	Zehner et al.
7,698,865	B2	4/2010	Pringle et al.
7,856,790	B2	12/2010	Jambois et al.
7,908,814	B2	3/2011	Wilson et al.
7,954,292	B2	6/2011	Holt et al.
7,984,597	B2	7/2011	Mollinger et al.
8,029,913	B2	10/2011	Mann
8,069,629	B2	12/2011	Rockwell et al.
8,091,313	B2	1/2012	Wilson et al.
D667,963	S	9/2012	Griffiths
D668,353	S	10/2012	Griffiths
D668,354	S	10/2012	Griffiths
D668,356	S	10/2012	Griffiths
D668,357	S	10/2012	Griffiths
D677,401	S	3/2013	Griffiths
D677,402	S	3/2013	Griffiths
D677,403	S	3/2013	Griffiths
D677,404	S	3/2013	Griffiths
D679,834	S	4/2013	Griffiths
D687,976	S	8/2013	Griffiths
D687,977	S	8/2013	Griffiths
D690,442	S	9/2013	Griffiths
D690,838	S	10/2013	Griffiths
D698,046	S	1/2014	Griffiths
8,621,810	B2	1/2014	Manser et al.
D698,944	S	2/2014	Griffiths
D698,946	S	2/2014	Griffiths
D698,947	S	2/2014	Griffiths
D700,364	S	2/2014	Griffiths
D700,365	S	2/2014	Griffiths
D700,366	S	2/2014	Griffiths
D704,862	S	5/2014	Boccuzzi et al.
8,756,892	B2	6/2014	Wilson et al.
D713,978	S	9/2014	Zombek
D732,701	S	6/2015	Griffiths
D733,328	S	6/2015	Griffiths
D733,329	S	6/2015	Griffiths
D734,501	S	7/2015	Bodwell et al.
D734,502	S	7/2015	Bodwell et al.
D735,355	S	7/2015	Bodwell et al.

9,091,078	B2	7/2015	Desch nes
D736,953	S	8/2015	Griffiths
D736,962	S	8/2015	Bodwell et al.
D750,278	S	2/2016	Bodwell et al.
D778,465	S	2/2017	Zombek
D863,604	S *	10/2019	Sexton D25/141
10,458,123	B2 *	10/2019	Culpepper B32B 3/266
D866,801	S *	11/2019	Zombek D25/141
D868,296	S *	11/2019	Zombek D25/141
10,544,593	B2 *	1/2020	Schultz E04F 13/0864
10,550,579	B2 *	2/2020	O'Neal E04F 13/0876
10,557,271	B2 *	2/2020	Olvey E04F 13/0848
10,753,099	B2 *	8/2020	O'Neal E04F 13/0803
10,787,818	B2 *	9/2020	Schultz E04F 13/0864
2004/0003566	A1	1/2004	Sicuranza
2005/0193674	A1	9/2005	Hatkoff
2010/0205883	A1	8/2010	Carson
2015/0082728	A1 *	3/2015	Peck E04F 13/0803
			52/520
2017/0089077	A1	3/2017	Olvey et al.

OTHER PUBLICATIONS

Design U.S. Appl. No. 29/654,492, Notice of Allowance, dated Jul. 10, 2019, 7 pgs.

ATAS International, Inc. v. Centria, Inter Parties Case IPR2013-00259 Re Patent D. 527,834 S, Decision Denying Institution of Inter Parties Review, 37 C.F.R. § 42.108, Entered Sep. 24, 2013, 24 pgs.

ATAS, Inc., BKR 160 Panel, 2002, 3 pages.

ATAS, Inc., MPH 080 Panel, 2000, 6 pages.

ATAS, Inc., MPS 120 Panel, 2000, 6 pages.

Cascade—Centria (online), no date available. Retrieved from Internet Apr. 13, 2018, URL: <https://www.centria.com/products/rainscreens/concealed-fastener-panels/cascade-metal-panels> (6 pages).

Cascade Centria (on-line), no date available. Retrieved from Internet Jan. 29, 2019, URL: <https://www.centria.com/products/rainscreens/concealed-fastener-panels/cascade-metal-panels/cc620> (3 pages).

Cascade Horizontal/Vertical Metal Panels CC-662 Centria (online), dated Aug. 4, 2016. Retrieved from Internet 34/13/2018, URL: <https://bimobject.com/en-us/centria/product/centria-662> (2 pages).

Cascade Metal Panel System—YouTube (online), dated Oct. 21, 2013. Retrieved from Internet Apr. 13, 2018, URL: <https://www.youtube.com/watch?v=XG4nRBSLuhg> (1 page).

Centria, FWDS 59 Panel, 2002, 4 pages.

Centria, IW 60A Panel, 1996, 2 pages.

Commercial & Industrial Metal Wall Systems, Robertson Product Brochure, 1994, 16 pages.

Firestone Building Products Delta CFP-162C (on-line), dated Apr. 26, 2013. Retrieved from Internet Sep. 30, 2016, URL: <https://web.archive.org/web/20130426150101/http://firestonebpc.com/wall/profile-panels/concealed-fastener-panels/ delta-cfp-162c/> (2 pages).

Pacific Erectors Centria Concept Series Wall Panel Systems (online), dated Sep. 1, 2015. Retrieved from Internet 39/30/2016, URL: <https://web.archive.org/web/20150901124618/http://www.pacificerectors.com/centria-concept-series-metal-wall-panels/> (2 pages).

Parkpanel Metal Cladding (on-line), dated Jul. 6, 2012. Retrieved from Internet Sep. 30, 2016. URL: http://parkpanels.en.3c21.com/Metal_Cladding--6856293.html (2 pages).

Design U.S. Appl. No. 29/588,545, Non-Final Office Action, dated Sep. 20, 2018, 6 pgs.

Design U.S. Appl. No. 29/588,545, Notice of Allowance, dated May 31, 2019, 5 pgs.

Design U.S. Appl. No. 29/654,492, Non-Final Office Action, dated Feb. 11, 2019, 6 pgs.

* cited by examiner

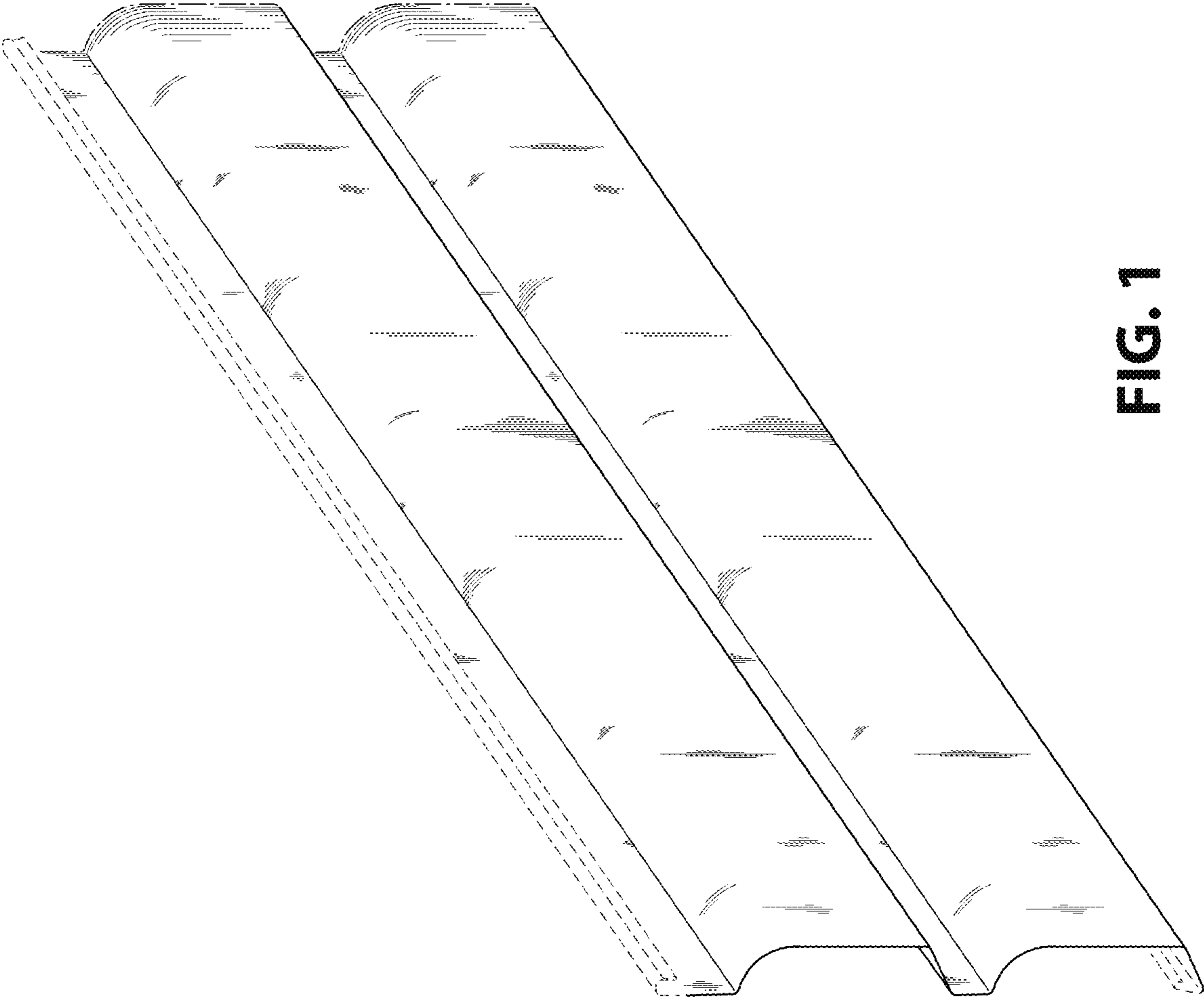


FIG. 1

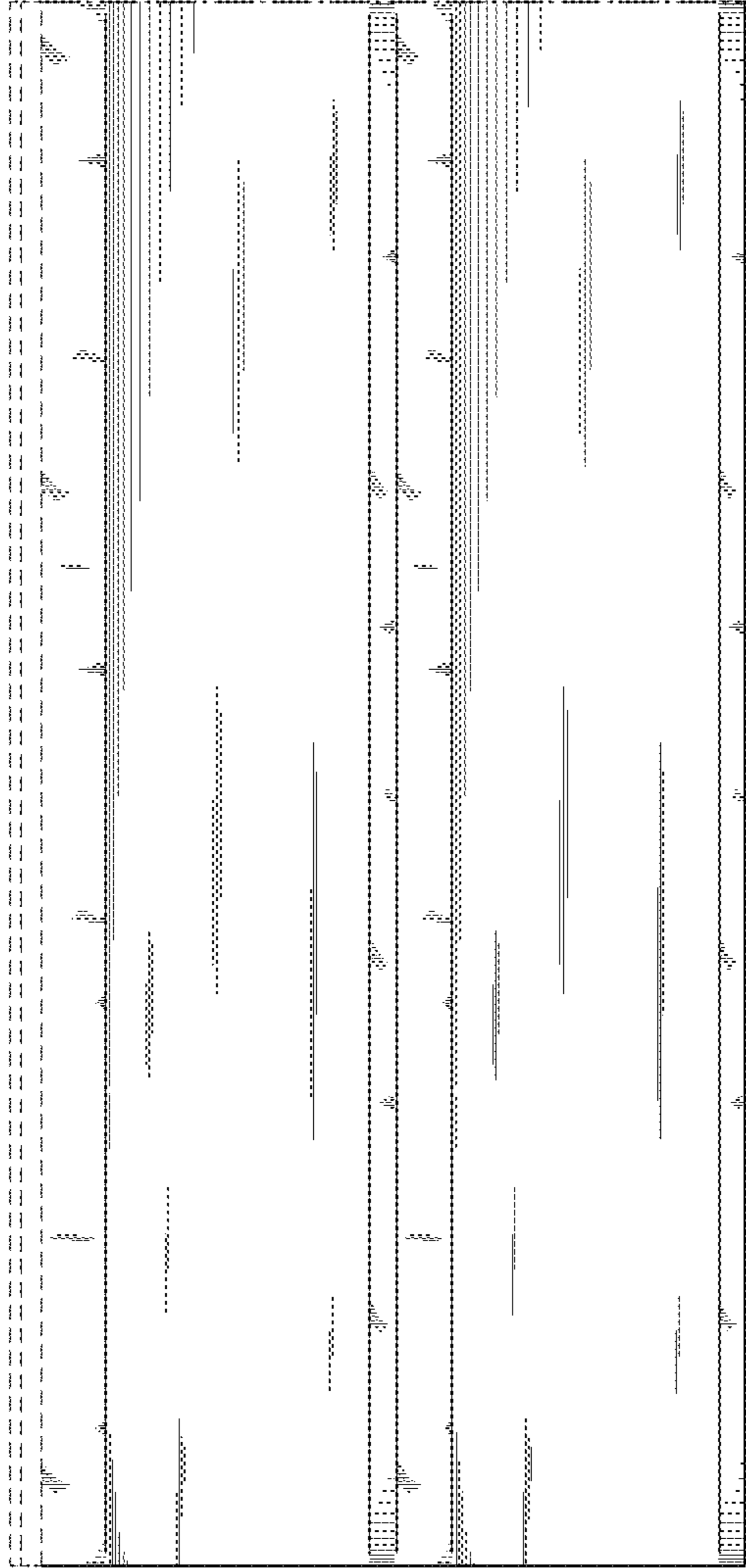


FIG. 2



FIG. 3