



US00D923819S

(12) **United States Design Patent** (10) **Patent No.:** **US D923,819 S**
Saccoccio et al. (45) **Date of Patent:** **** Jun. 29, 2021**

- (54) **RISER AND LIGHT ASSEMBLY FOR A SWIMMING POOL**
- (71) Applicant: **Asia Connection LLC**, New York, NY (US)
- (72) Inventors: **Mitch Saccoccio**, Clarksville, VA (US); **Jonathan Bonelli**, New York, NY (US)
- (73) Assignee: **Asia Connection, LLC**, New York, NY (US)
- (**) Term: **15 Years**
- (21) Appl. No.: **29/733,712**
- (22) Filed: **May 6, 2020**

| | | | |
|-----------------|---------|-----------|----------------------------|
| D283,168 S | 3/1986 | Daly | |
| 5,778,610 A | 7/1998 | Berg | |
| 6,000,494 A | 12/1999 | Wilson | |
| D449,895 S | 10/2001 | Wilson | |
| 6,685,332 B1 | 2/2004 | Clark | |
| 6,926,119 B1 | 8/2005 | Schrock | |
| 6,966,405 B2 | 11/2005 | St-Pierre | |
| 7,954,973 B1 | 6/2011 | Holland | |
| D681,850 S | 5/2013 | Daly | |
| 9,816,274 B2 | 11/2017 | Brink | |
| D887,022 S * | 6/2020 | Saccoccio | E04H 15/62 D25/63 |
| 2005/0172568 A1 | 8/2005 | Crandall | |
| 2006/0272230 A1 | 12/2006 | Elwood | |
| 2007/0111896 A1 | 5/2007 | Knox | |
| 2009/0056245 A1 | 3/2009 | Miller | |
| 2009/0139798 A1 | 6/2009 | Bernard | |
| 2012/0167494 A1 | 7/2012 | Brooks | |
| 2012/0325472 A1 | 12/2012 | Litvinets | |
| 2013/0140111 A1 | 6/2013 | Linch | |
| 2014/0353081 A1 | 12/2014 | Linch | |

Related U.S. Application Data

- (63) Continuation of application No. 29/695,286, filed on Jun. 18, 2019, now Pat. No. Des. 887,022, which is a continuation of application No. 15/175,616, filed on Jun. 7, 2016, now abandoned.
- (51) **LOC (13) Cl.** **25-04**
- (52) **U.S. Cl.**
USPC **D25/63**
- (58) **Field of Classification Search**
USPC D25/1, 62, 63, 68, 69; 52/188, 182, 183, 52/741.2, 191; 182/151, 115, 194, 93, 182/106
CPC E04F 11/02; E04H 15/62
See application file for complete search history.

* cited by examiner

Primary Examiner — Gino Colan

(74) *Attorney, Agent, or Firm* — Dilworth & Barrese, LLP

(57) **CLAIM**

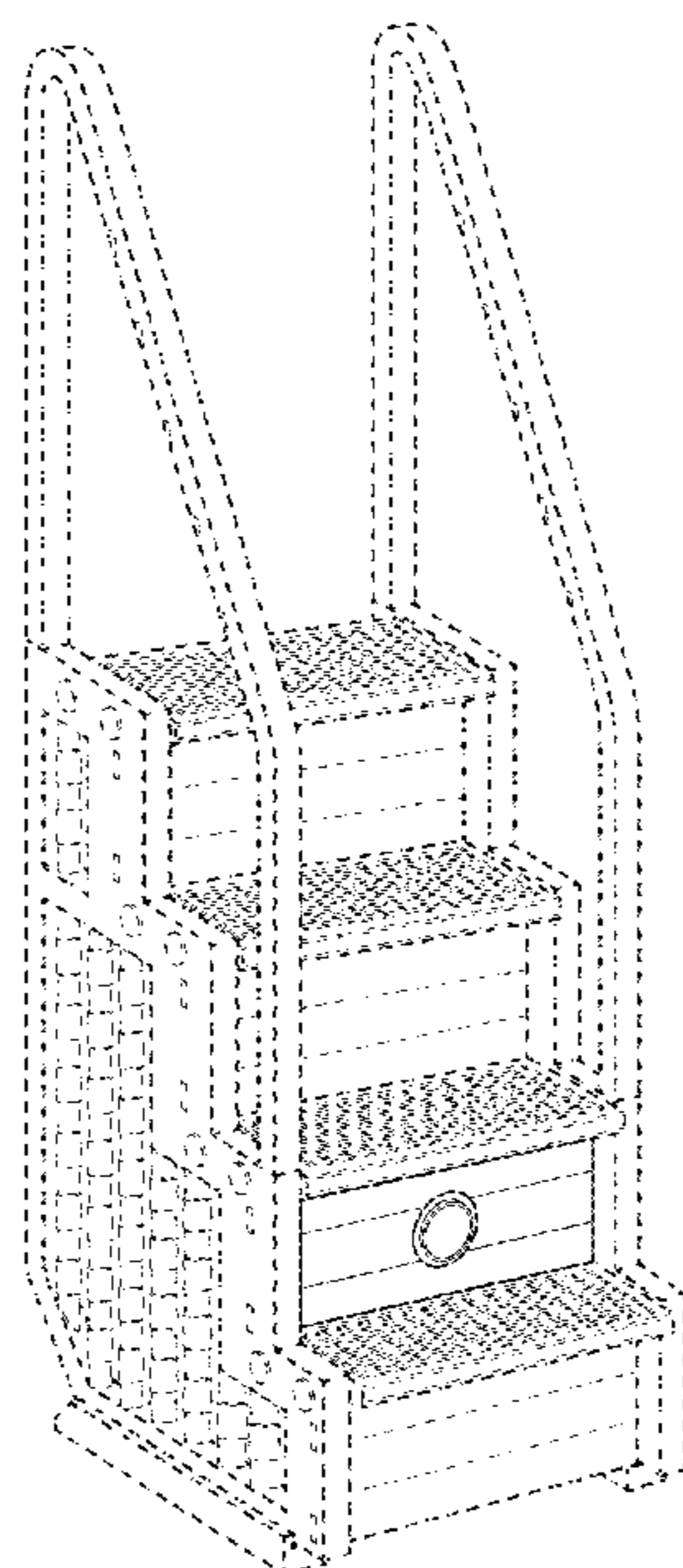
The ornamental design for a riser and light assembly for a swimming pool, as shown and described.

DESCRIPTION

FIG. 1 is a front perspective view of a riser and light assembly for a swimming pool showing our new design; FIG. 2 is a side elevational view thereof; FIG. 3 is a front elevational view thereof; and, FIG. 4 is a top plan view thereof. Broken and/or phantom lines are for environmental structure only and form no part of the claimed design.

- (56) **References Cited**
U.S. PATENT DOCUMENTS
934,122 A 9/1909 Woodman
4,425,601 A 1/1984 Donahue
4,535,871 A 8/1985 Lapeyre

1 Claim, 4 Drawing Sheets



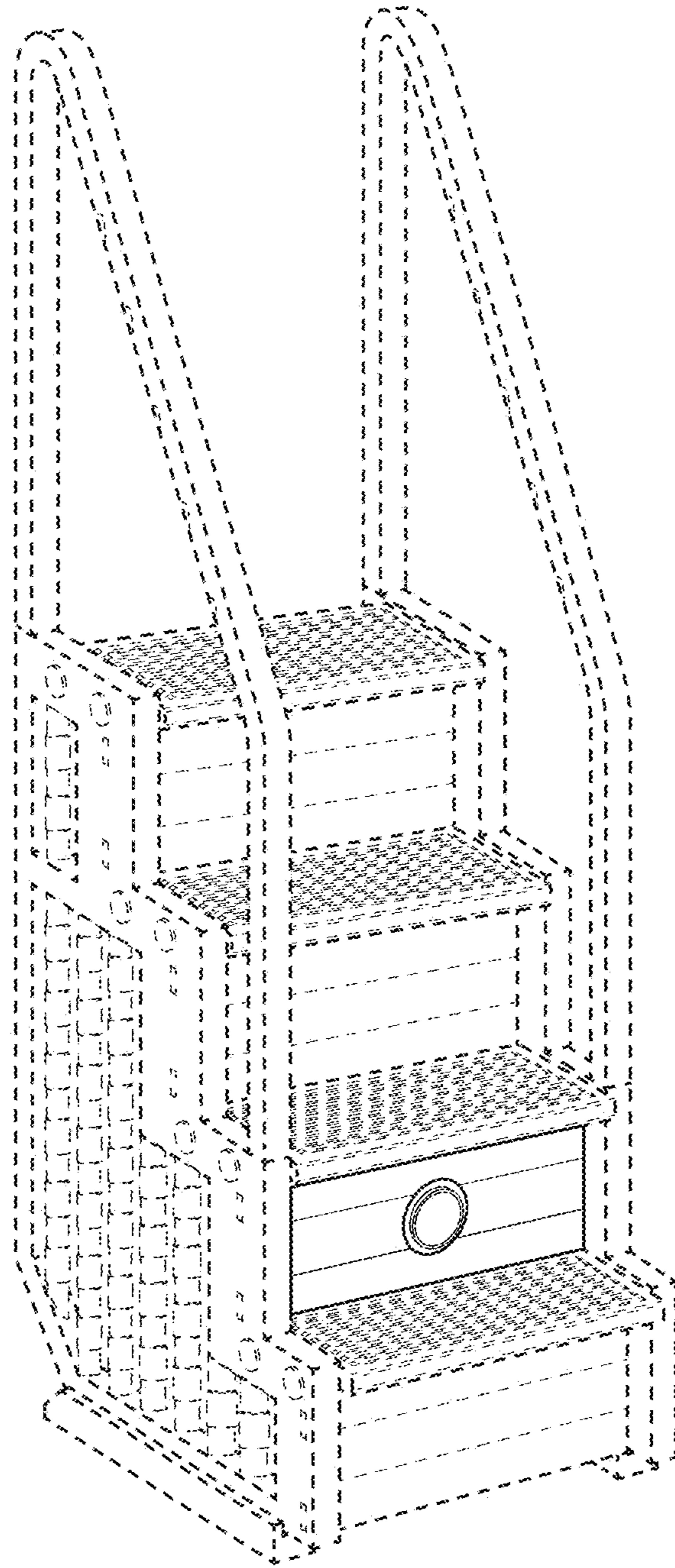


FIG. 1

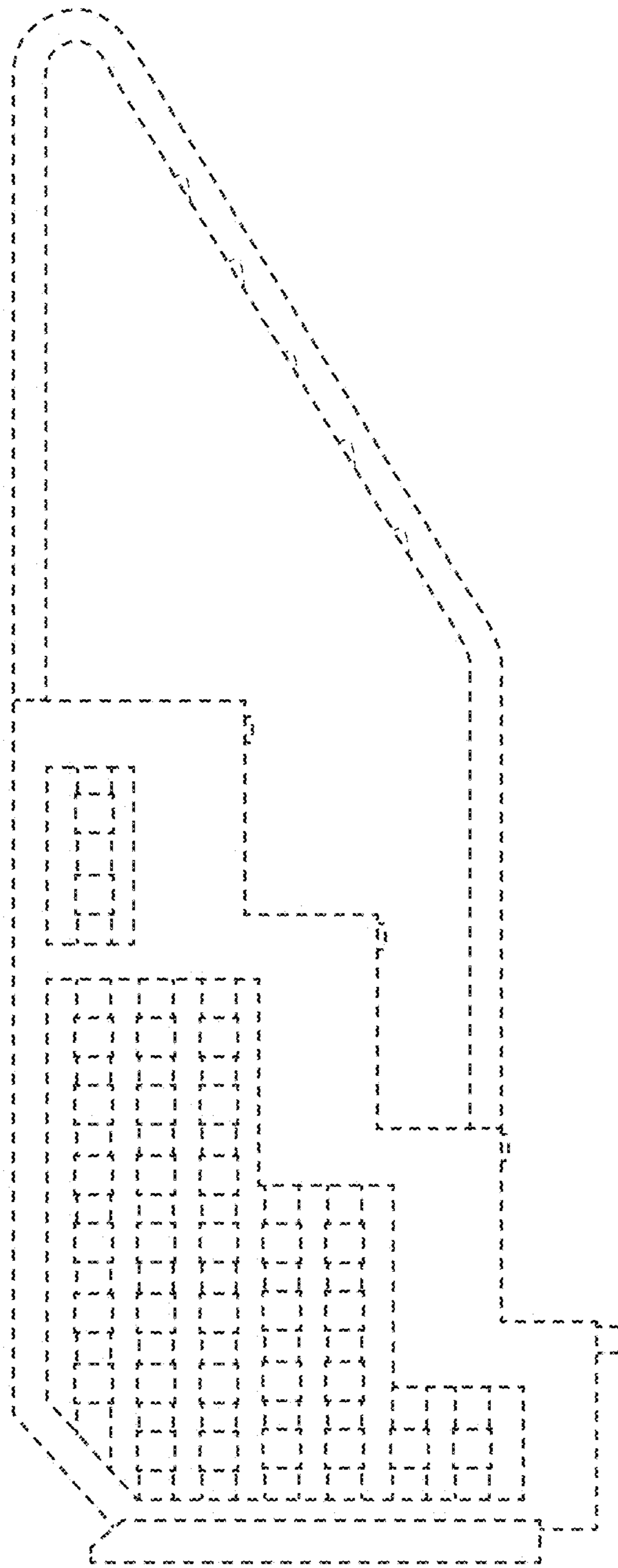


FIG. 2

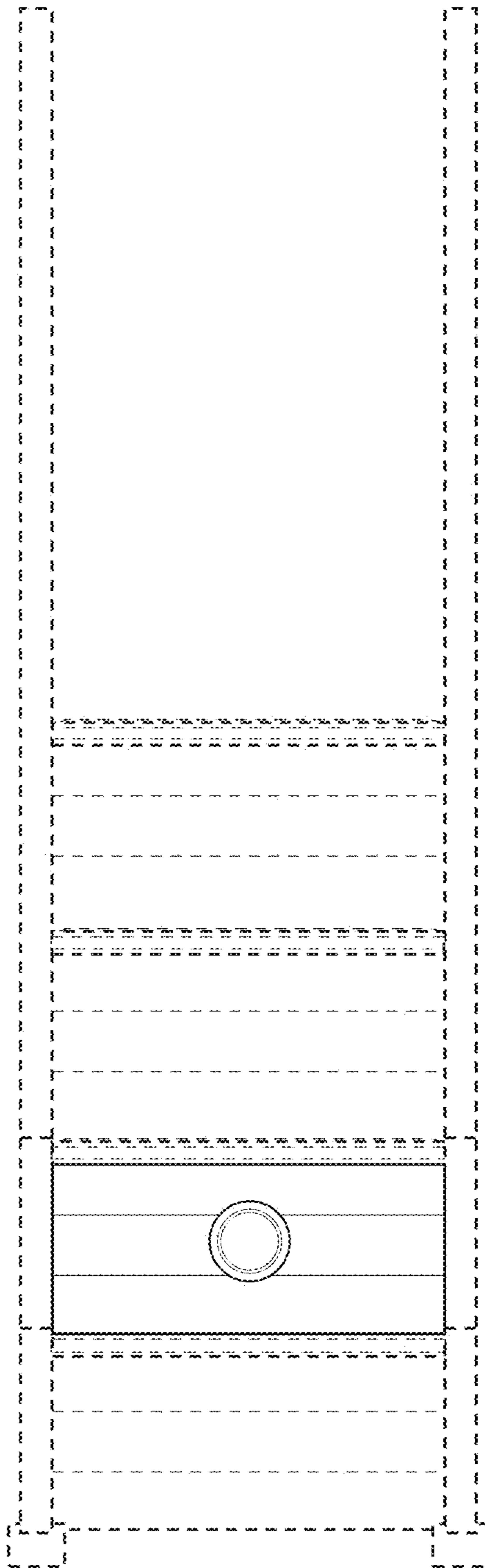


FIG. 3

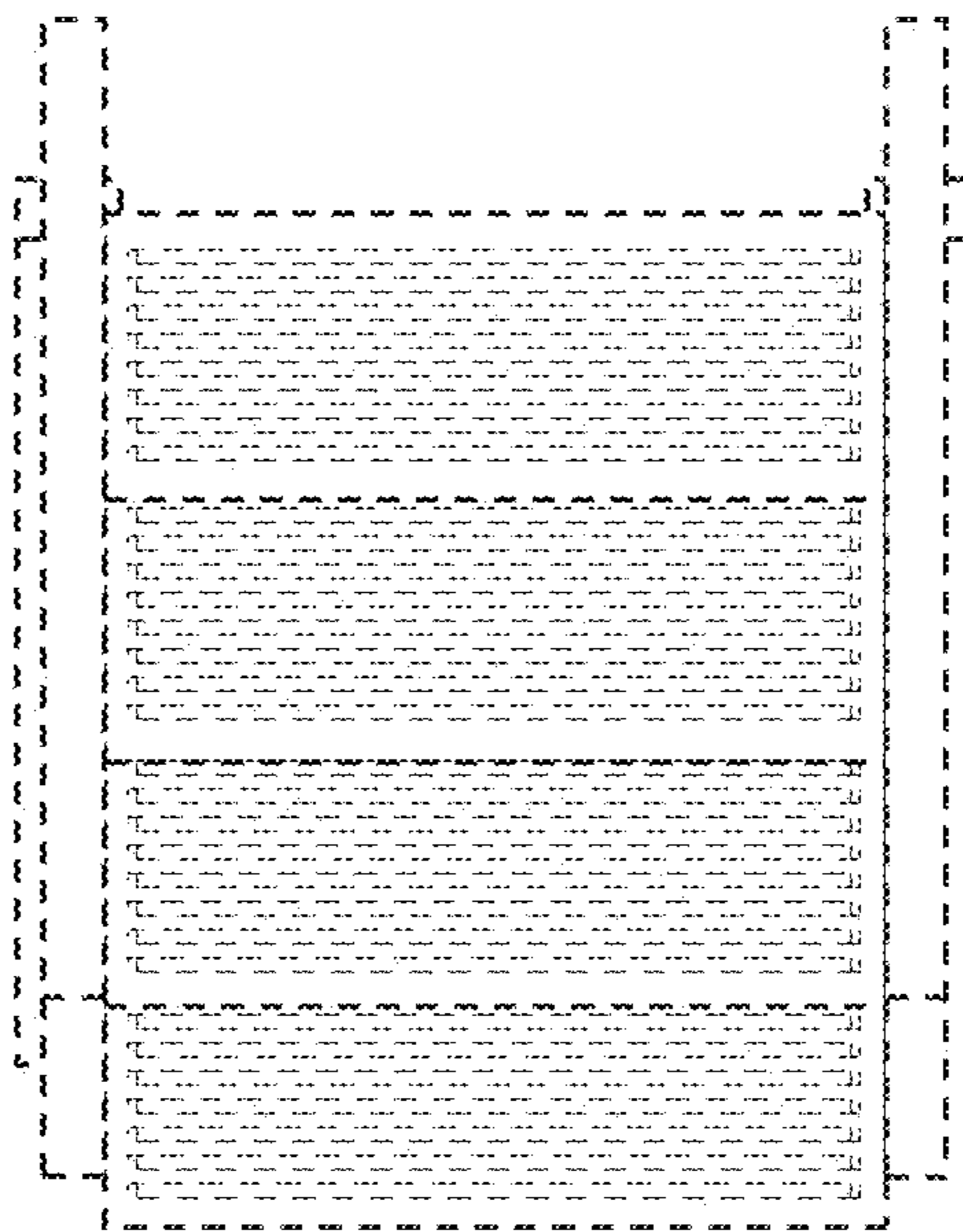


FIG. 4