



US00D923818S

(12) **United States Design Patent**  
**Gouge et al.**

(10) **Patent No.:** **US D923,818 S**  
(45) **Date of Patent:** **\*\* Jun. 29, 2021**

(54) **DOOR**

(71) Applicant: **Masonite Corporation**, Tampa, FL (US)

(72) Inventors: **Timothy D. Gouge**, Elgin, IL (US);  
**Rahul Sharma**, New Delhi (IN)

(73) Assignee: **Masonite Corporation**, Tampa, FL (US)

(\*\*) Term: **15 Years**

(21) Appl. No.: **29/712,021**

(22) Filed: **Nov. 5, 2019**

**Related U.S. Application Data**

(60) Continuation of application No. 29/636,089, filed on Feb. 6, 2018, now Pat. No. Des. 866,002, which is a (Continued)

(51) **LOC (13) Cl.** ..... **25-02**

(52) **U.S. Cl.**  
USPC ..... **D25/48.3**

(58) **Field of Classification Search**  
USPC ..... D25/48.1, 48.3, 48.4, 48.5, 48.6, 48.7, D25/48.8, 138

(Continued)

(56) **References Cited**

**U.S. PATENT DOCUMENTS**

6,615,558 B2 \* 9/2003 Libby ..... E06B 1/524  
52/204.59

D555,806 S \* 11/2007 Berryman ..... D25/48.3  
(Continued)

**FOREIGN PATENT DOCUMENTS**

CN 3370491 5/2004  
CN 302234067 \* 12/2012

(Continued)

**OTHER PUBLICATIONS**

Brochure "Masonite the beautiful door", MIC09403\_IntlBrochure.indd, Dec. 13, 2011, p. 15.

*Primary Examiner* — Leanne Was-Englehart

(74) *Attorney, Agent, or Firm* — Berenato & White, LLC

(57) **CLAIM**

The ornamental design for a door, as shown and described.

**DESCRIPTION**

FIG. 1 is a front perspective view of a door according to a first version of our design;

FIG. 2 is a front elevational view of the door of FIG. 1;

FIG. 3 is a rear elevational view of the door of FIG. 1;

FIG. 4 is a top plan view of the door of FIG. 1;

FIG. 5 is a bottom plan view of the door facing of FIG. 1;

FIG. 6 is a cross sectional view taken along the line 6-6 of FIG. 2;

FIG. 7 is an enlarged fragmentary cross sectional view of the encircled region of FIG. 6;

FIG. 8 is a left side plan view of the door of FIG. 1;

FIG. 9 is a right side plan view of the door of FIG. 1;

FIG. 10 is a cross sectional view taken along the line 10-10 of FIG. 2;

FIG. 11 is an enlarged fragmentary cross sectional view of the encircled region of FIG. 10;

FIG. 12 is a front perspective view of a door according to a second version of our design;

FIG. 13 is a front elevational view of the door of FIG. 12;

FIG. 14 is a rear elevational view of the door of FIG. 12;

FIG. 15 is a top plan view of the door of FIG. 12;

FIG. 16 is a bottom plan view of the door of FIG. 12;

FIG. 17 is a cross sectional view taken along the line 17-17 of FIG. 13;

FIG. 18 is an enlarged fragmentary cross sectional view of the encircled region of FIG. 17;

FIG. 19 is a left side plan view of the door of FIG. 12;

FIG. 20 is a right side plan view of the door of FIG. 12;

FIG. 21 is a cross sectional view taken along the line 21-21 of FIG. 13;

(Continued)

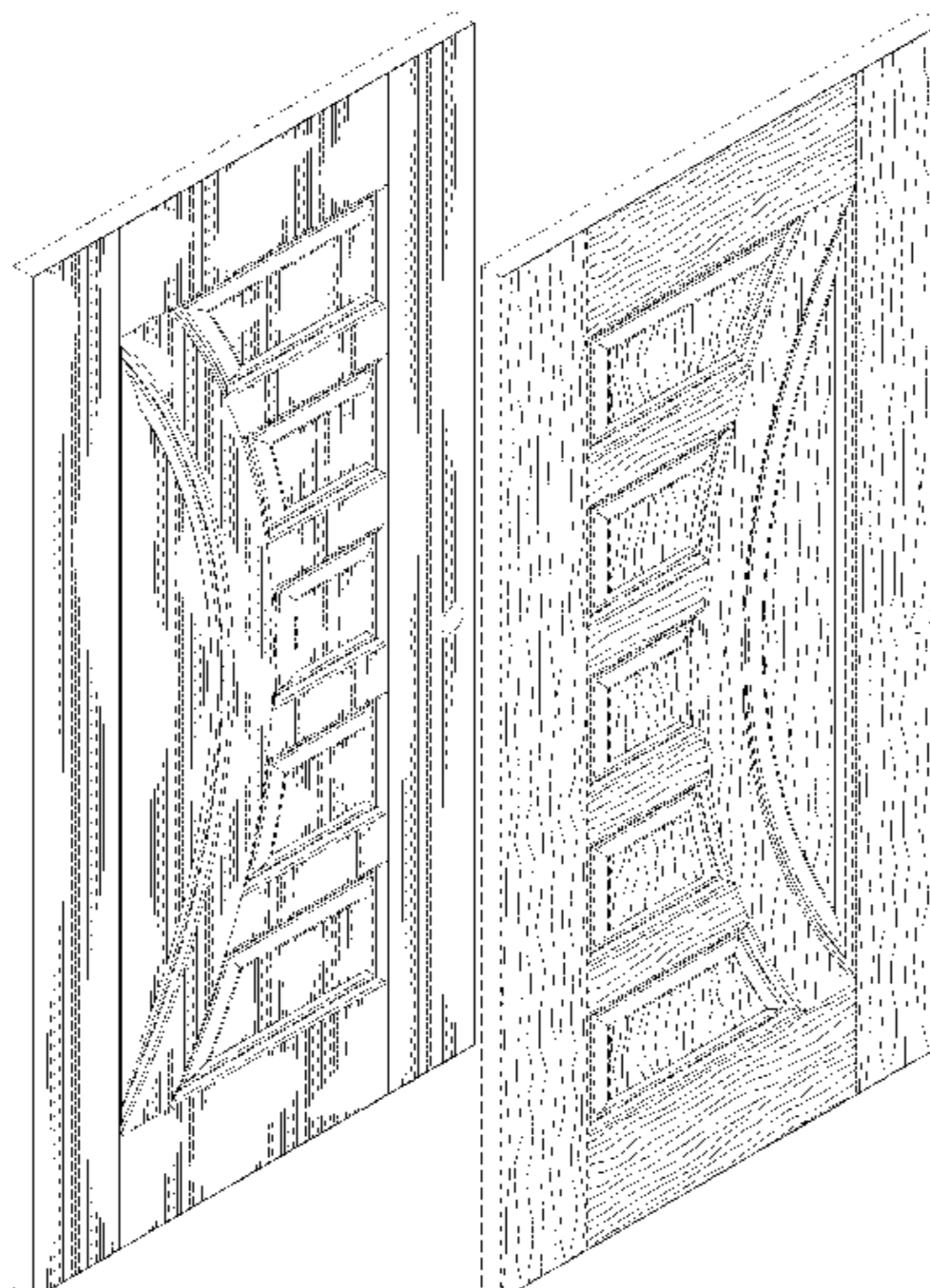


FIG. 22 is an enlarged fragmentary cross sectional view of the encircled region of FIG. 21;  
 FIG. 23 is a front perspective view of a door according to a third version of our design;  
 FIG. 24 is a front elevational view of the door of FIG. 23;  
 FIG. 25 is a rear elevational view of the door of FIG. 23;  
 FIG. 26 is a top plan view of the door of FIG. 23;  
 FIG. 27 is a bottom plan view of the door of FIG. 23;  
 FIG. 28 is a cross sectional view taken along the line 28-28 of FIG. 24;  
 FIG. 29 is an enlarged fragmentary cross sectional view of the encircled region of FIG. 28;  
 FIG. 30 is a left side plan view of the door of FIG. 23;  
 FIG. 31 is a right side plan view of the door of FIG. 23;  
 FIG. 32 is a cross sectional view taken along the line 36-36 of FIG. 28;  
 FIG. 33 is an enlarged fragmentary cross sectional view of the encircled region of FIG. 32;  
 FIG. 34 is a front perspective view of a door according to a fourth version of our design;  
 FIG. 35 is a front elevational view of the door of FIG. 34;  
 FIG. 36 is a rear elevational view of the door of FIG. 34;  
 FIG. 37 is a top plan view of the door of FIG. 34;  
 FIG. 38 is a bottom plan view of the door of FIG. 34;  
 FIG. 39 is a cross sectional view taken along the line 39-39 of FIG. 35;  
 FIG. 40 is an enlarged fragmentary cross sectional view of the encircled region of FIG. 39;  
 FIG. 41 is a left side plan view of the door of FIG. 34;  
 FIG. 42 is a right side plan view of the door of FIG. 34;  
 FIG. 43 is a cross sectional view taken along the line 43-43 of FIG. 35; and,  
 FIG. 44 is an enlarged fragmentary cross sectional view of the encircled region of FIG. 43.

The evenly spaced dashed lines in the drawings are for environment and depict portions of the door that form no part of the claimed design. The long dash, short dash, short dash broken line circles depict the limits of the enlarged views and form no part of the claimed design.

**1 Claim, 24 Drawing Sheets**

**Related U.S. Application Data**

division of application No. 29/551,574, filed on Jan. 14, 2016, now Pat. No. Des. 809,670.

(58) **Field of Classification Search**

CPC .. E06B 1/006; E06B 1/524; E06B 2003/7048;  
 E06B 3/7001; E06B 3/7017; E04C 2/36  
 See application file for complete search history.

(56) **References Cited**

U.S. PATENT DOCUMENTS

D575,420	S	*	8/2008	Mock .....	D25/138
D615,213	S	*	5/2010	Yen .....	D25/48.3
D627,484	S	*	11/2010	Walsh .....	D25/48.3
D652,151	S	*	1/2012	Walsh .....	D25/48.3
D809,670	S	*	2/2018	Gouge .....	D25/48.3
D866,002	S	*	11/2019	Gouge .....	D25/48.3

FOREIGN PATENT DOCUMENTS

EM	000537261-0003	6/2006
WO	D047054-009	5/1999
WO	D050615-002	4/2000

\* cited by examiner

FIG. 1

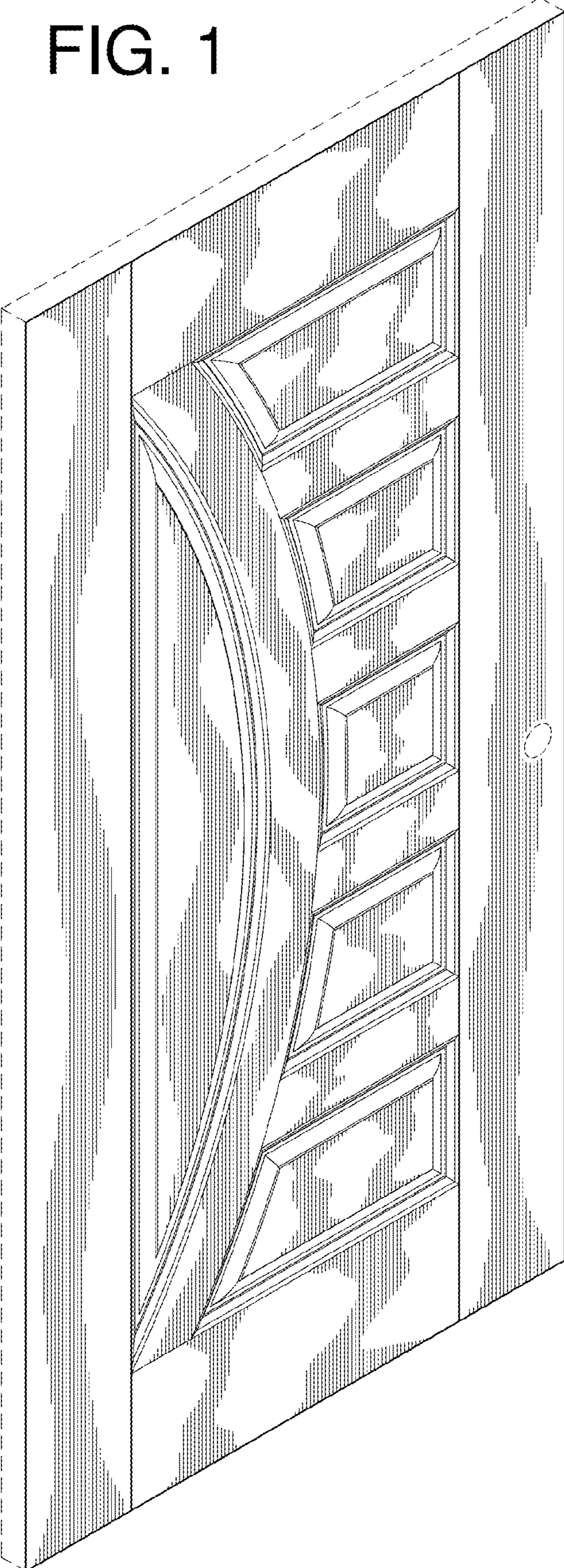


FIG. 2

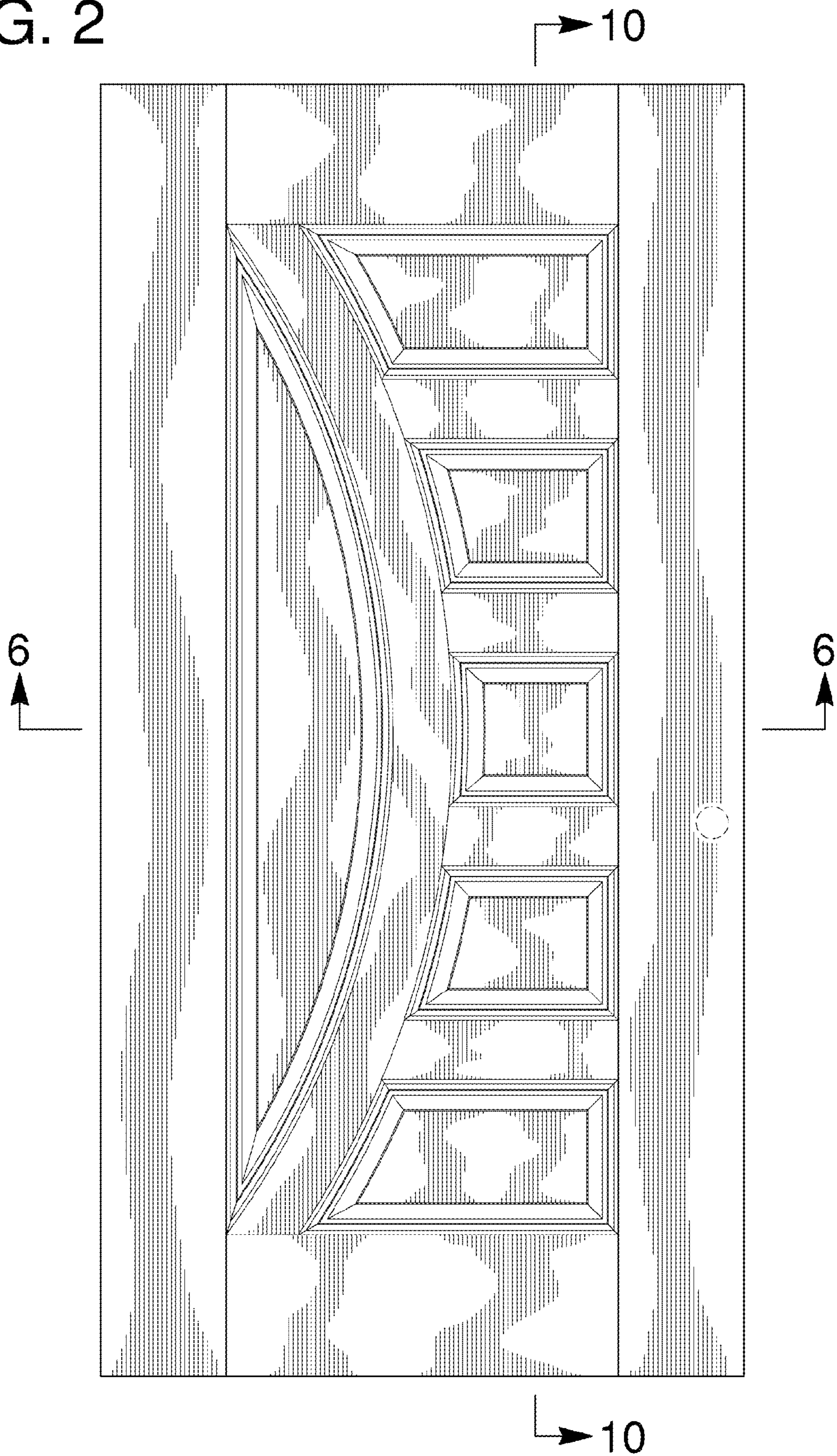


FIG. 3

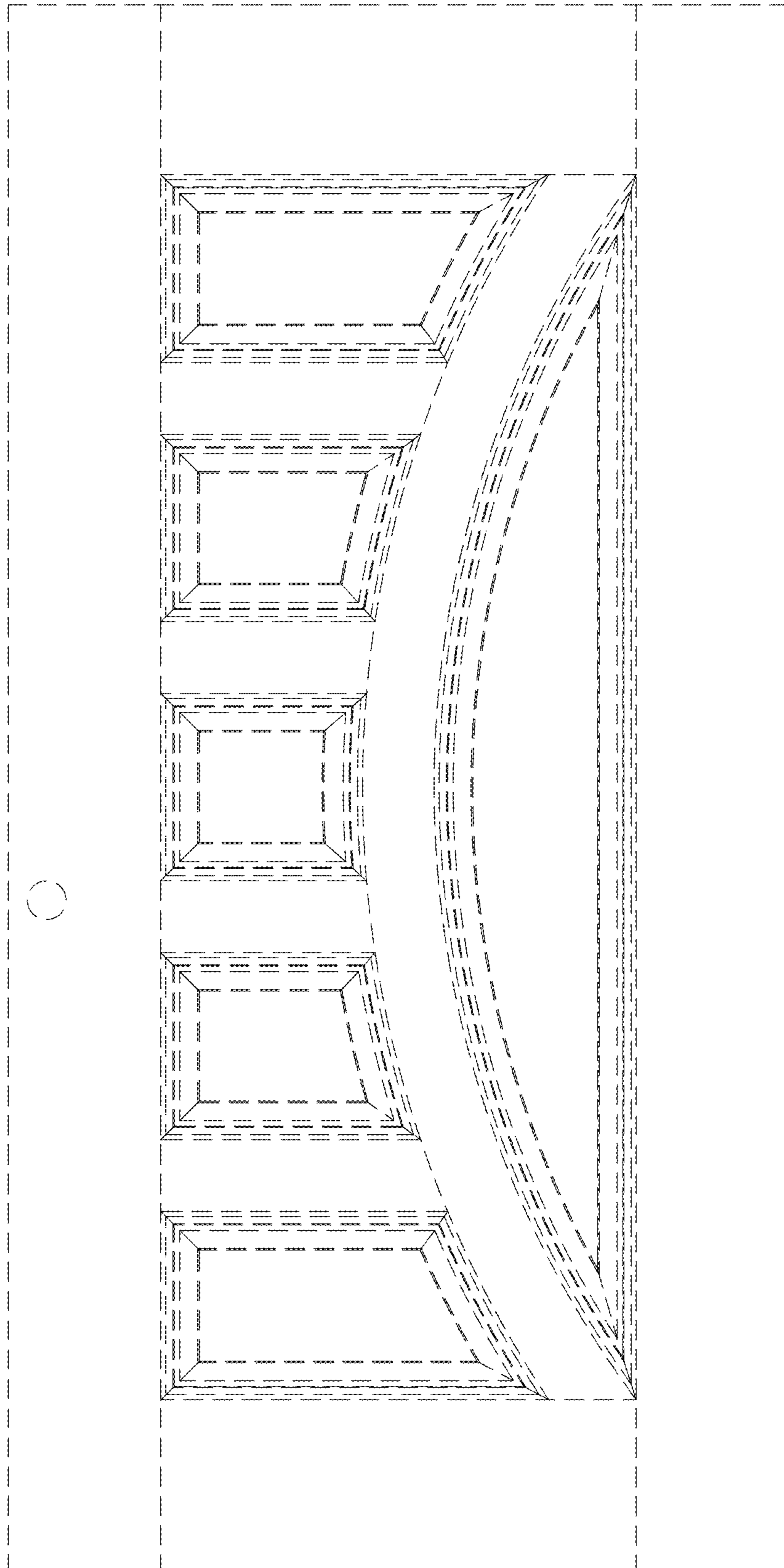


FIG. 4



FIG. 5

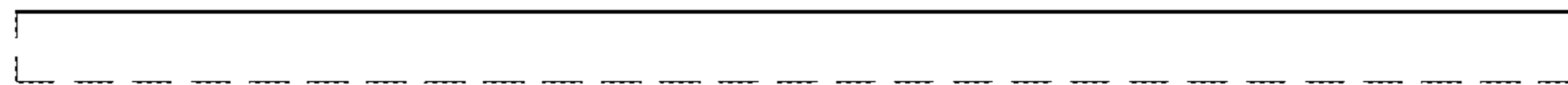


FIG. 6

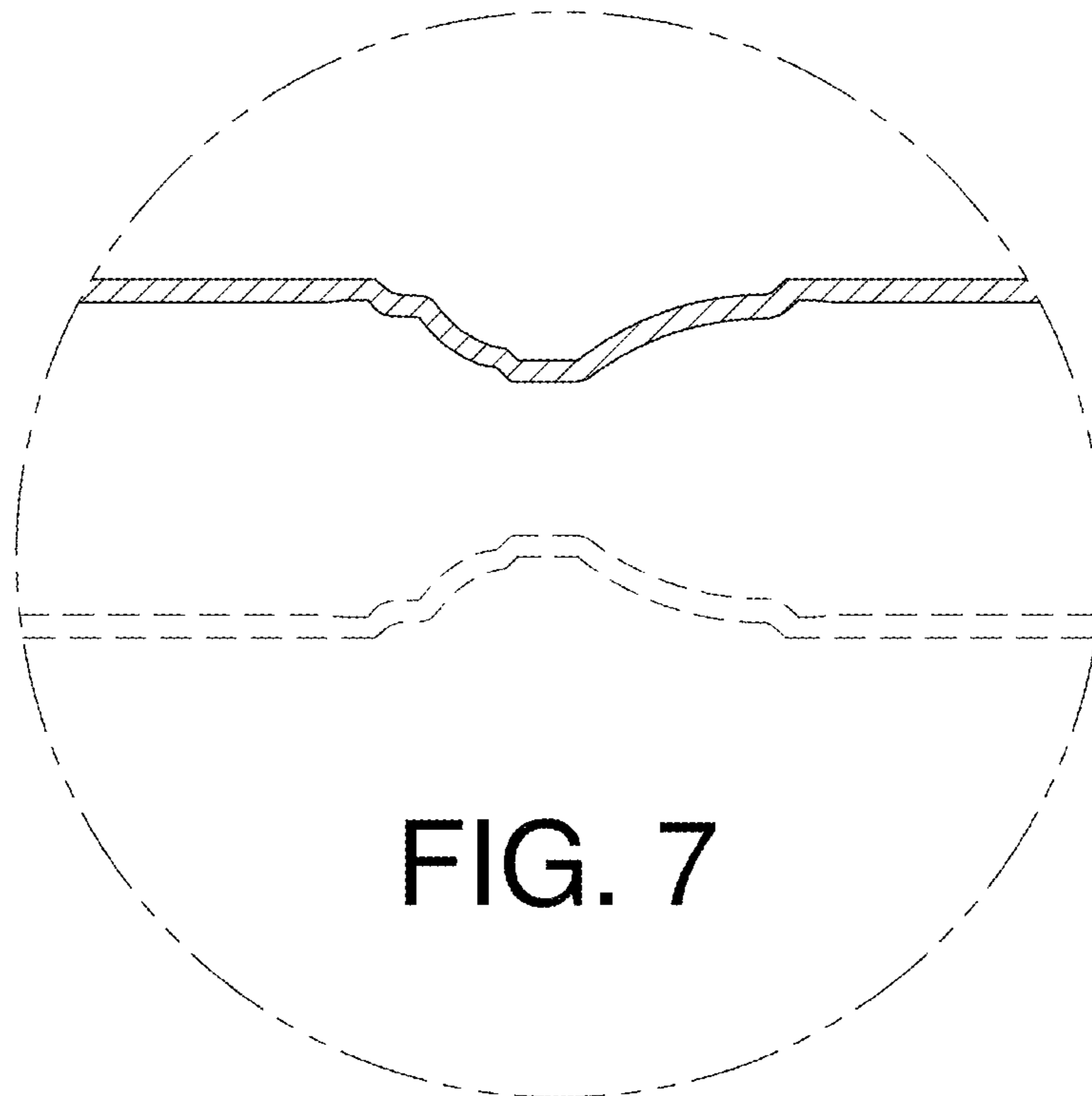
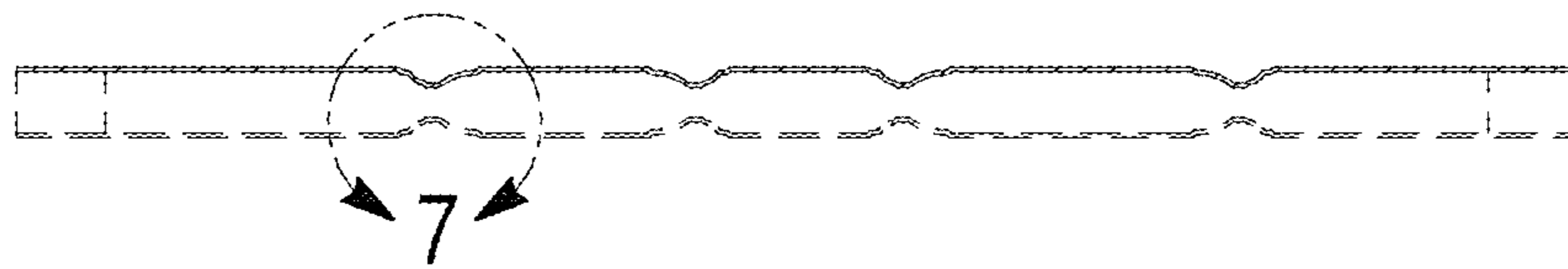


FIG. 7

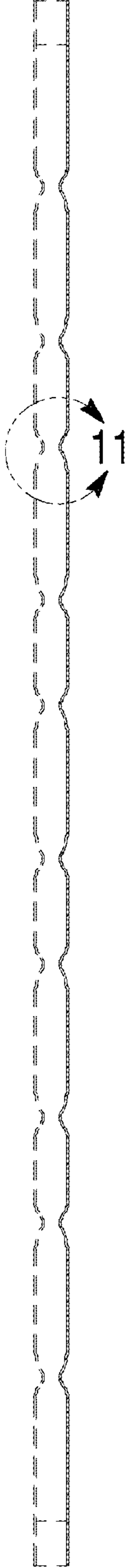
FIG. 8



FIG. 9



FIG. 10



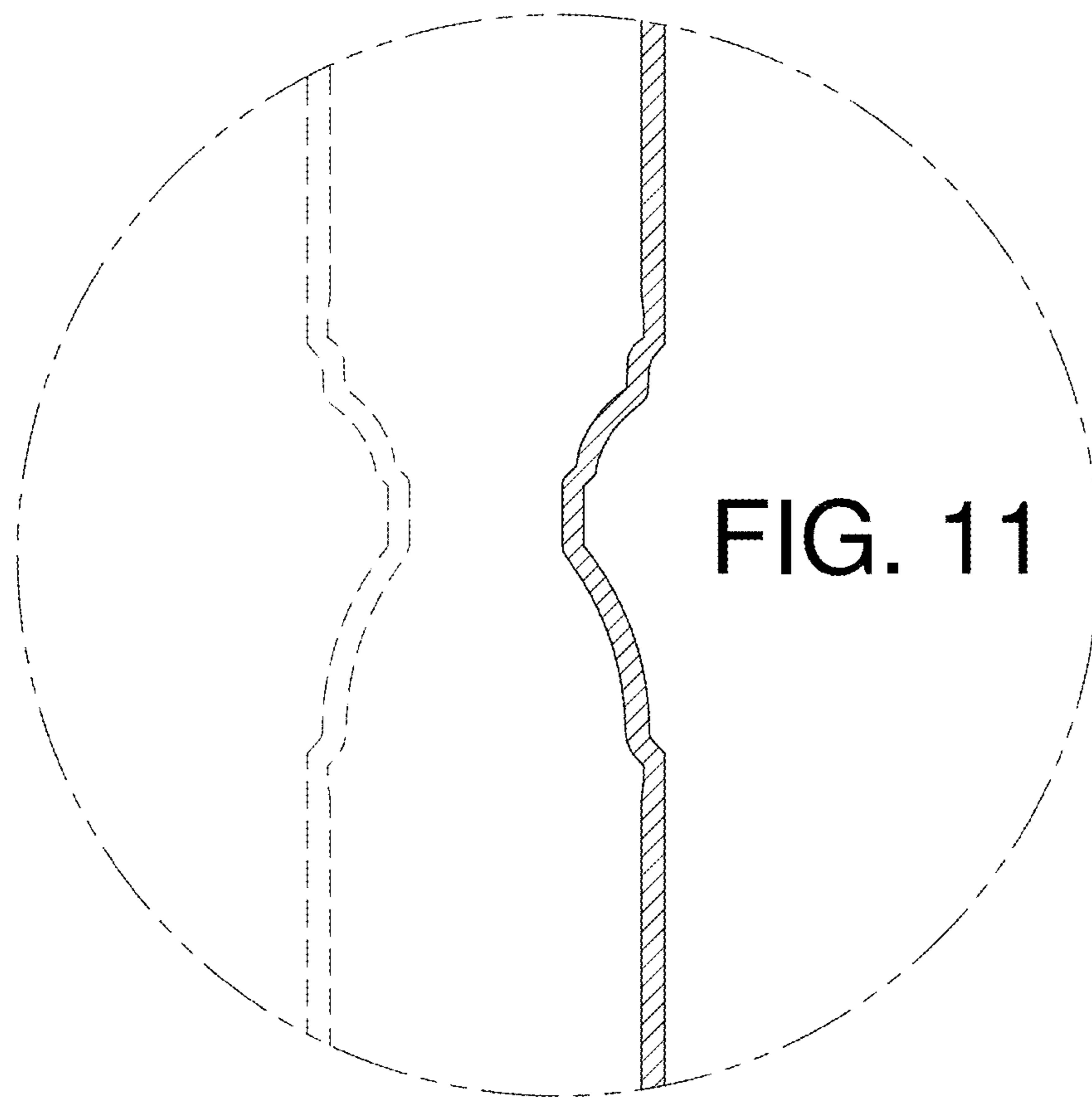




FIG. 12

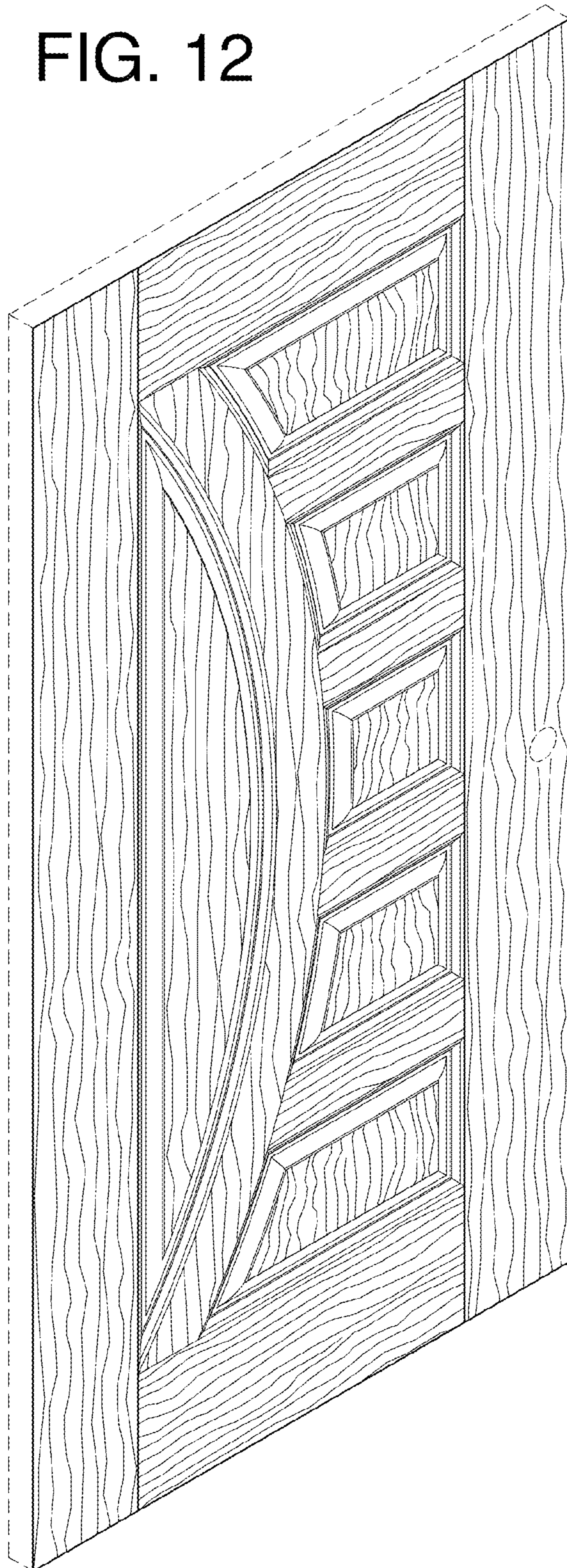


FIG. 13

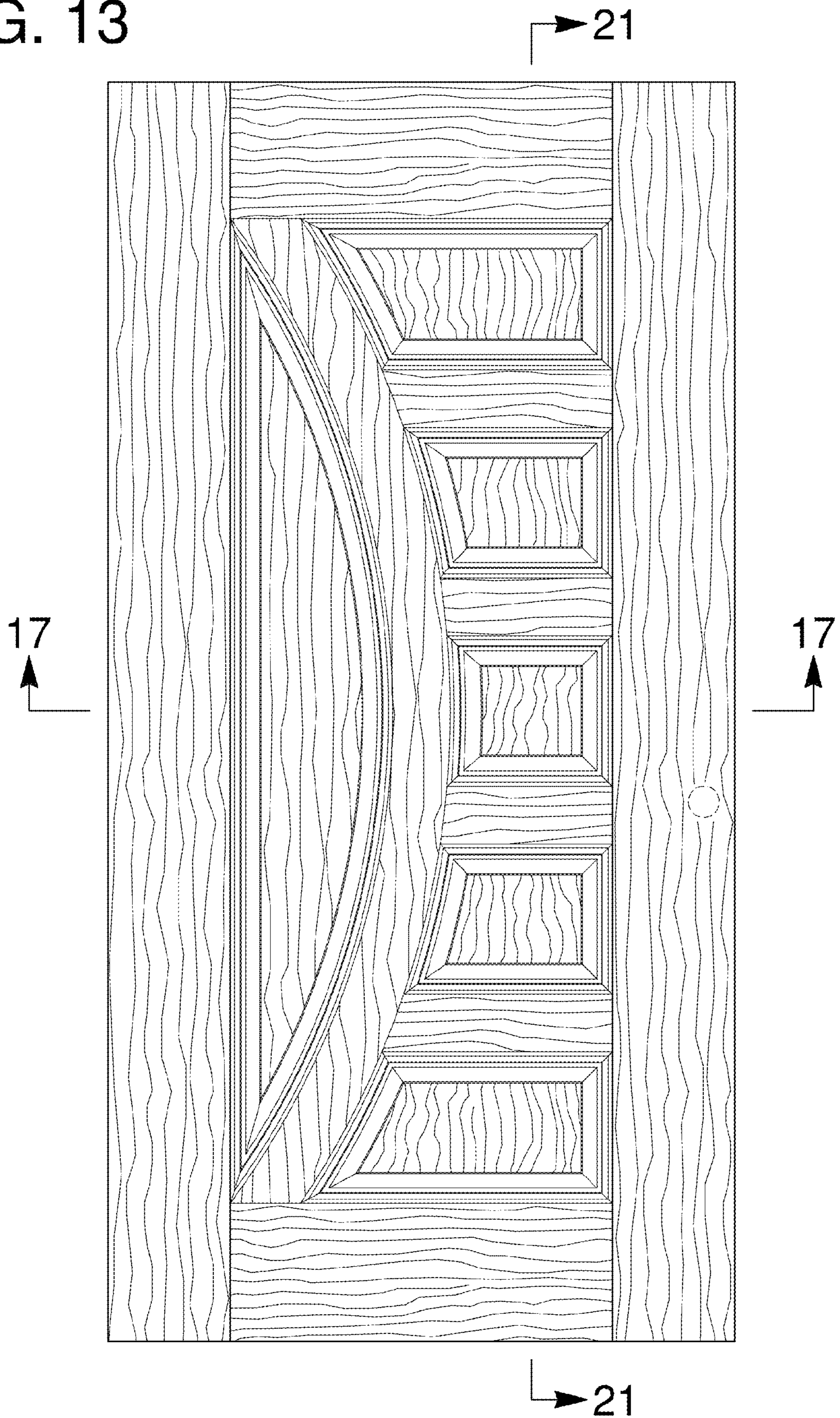


FIG. 14

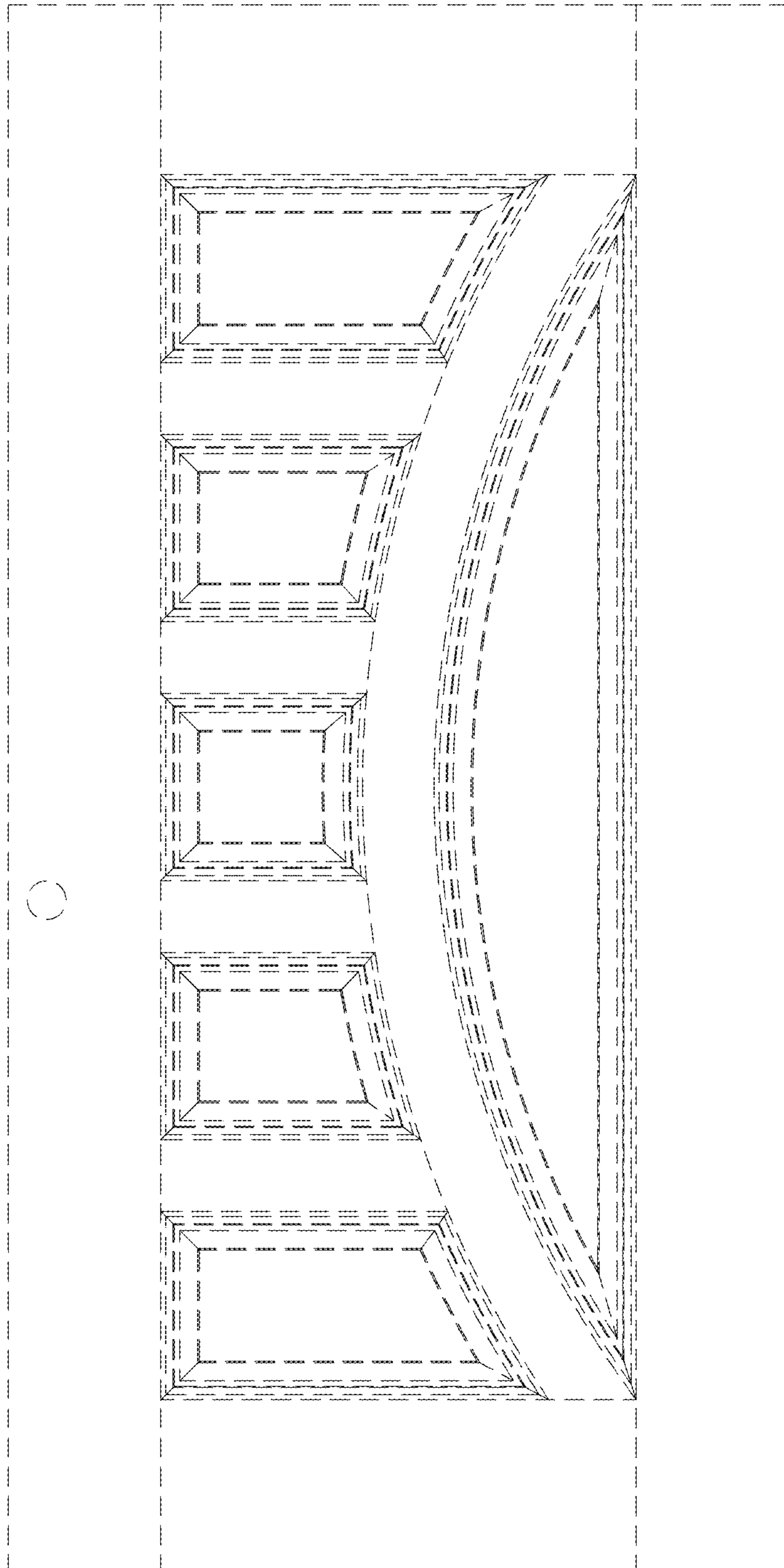


FIG. 15



FIG. 16

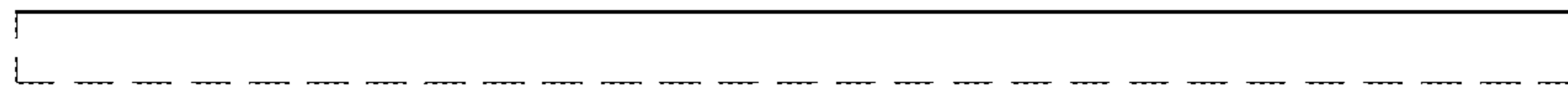


FIG. 17

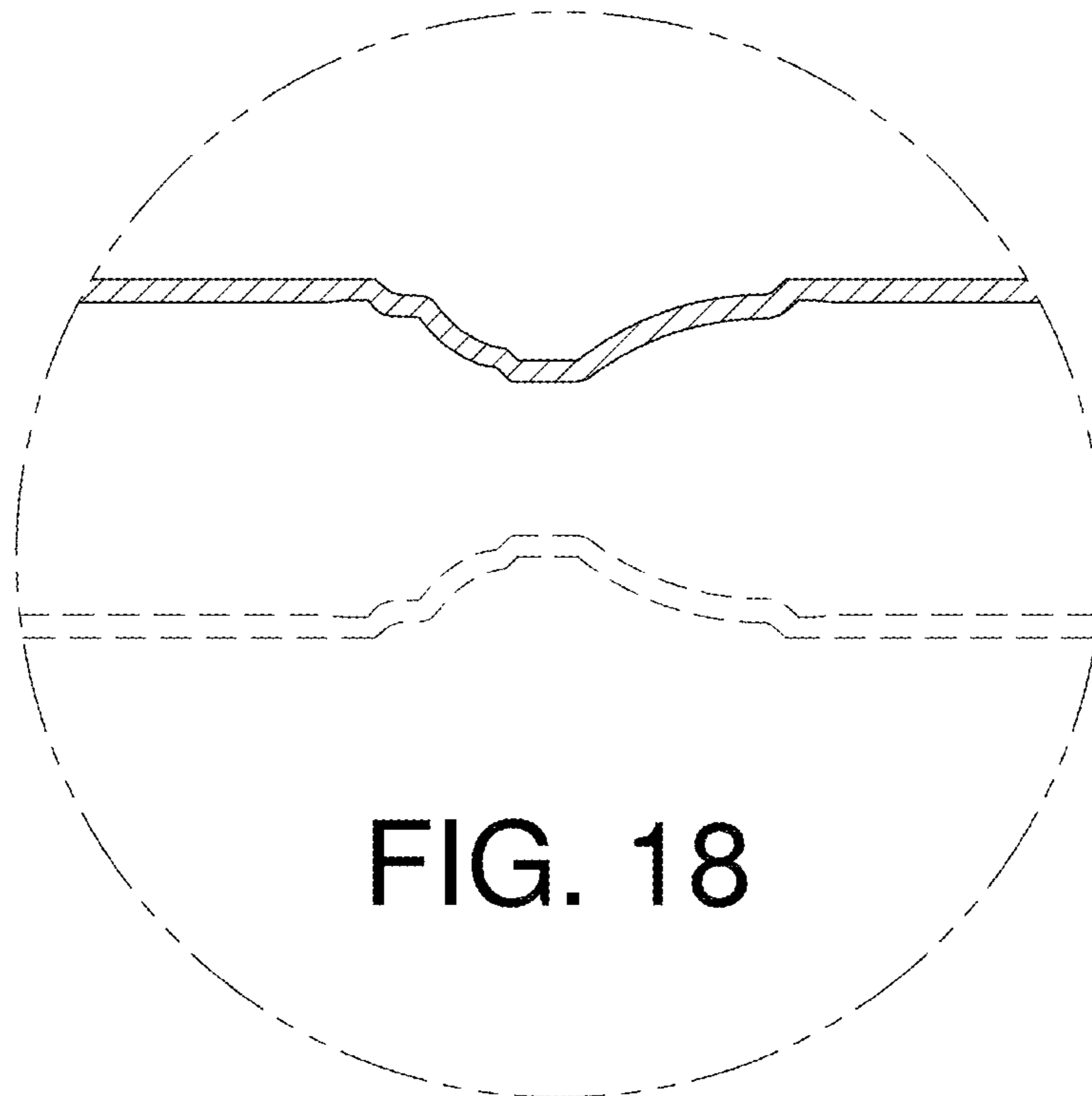
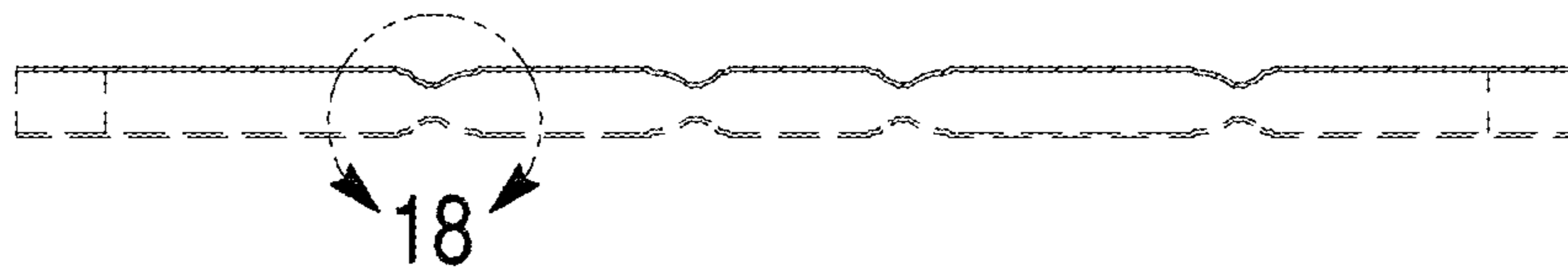


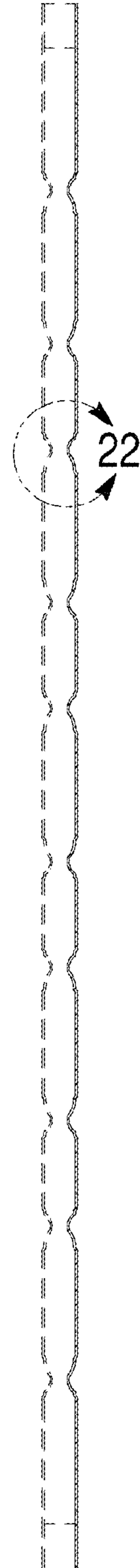
FIG. 19



FIG. 20



FIG. 21



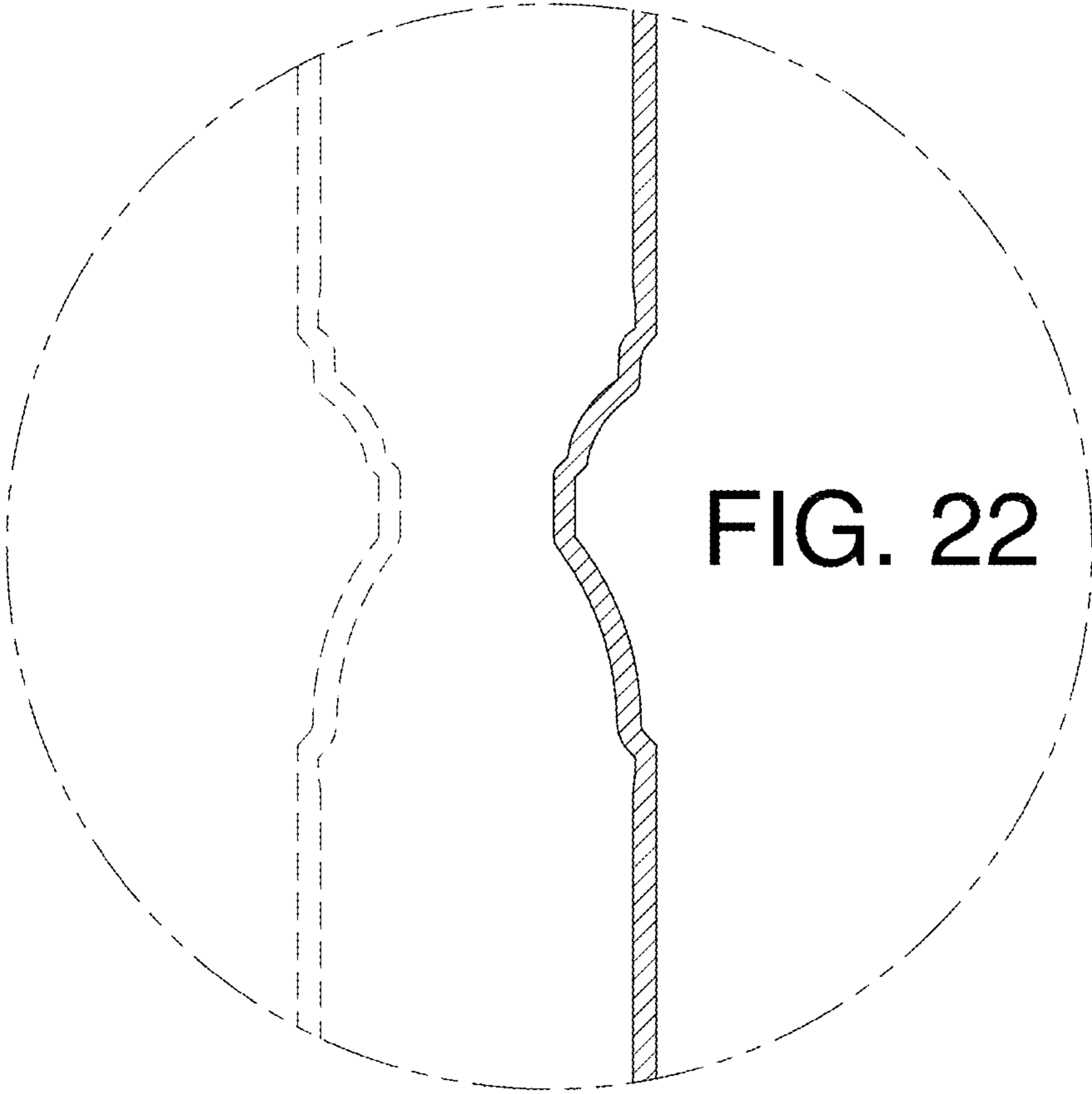


FIG. 23

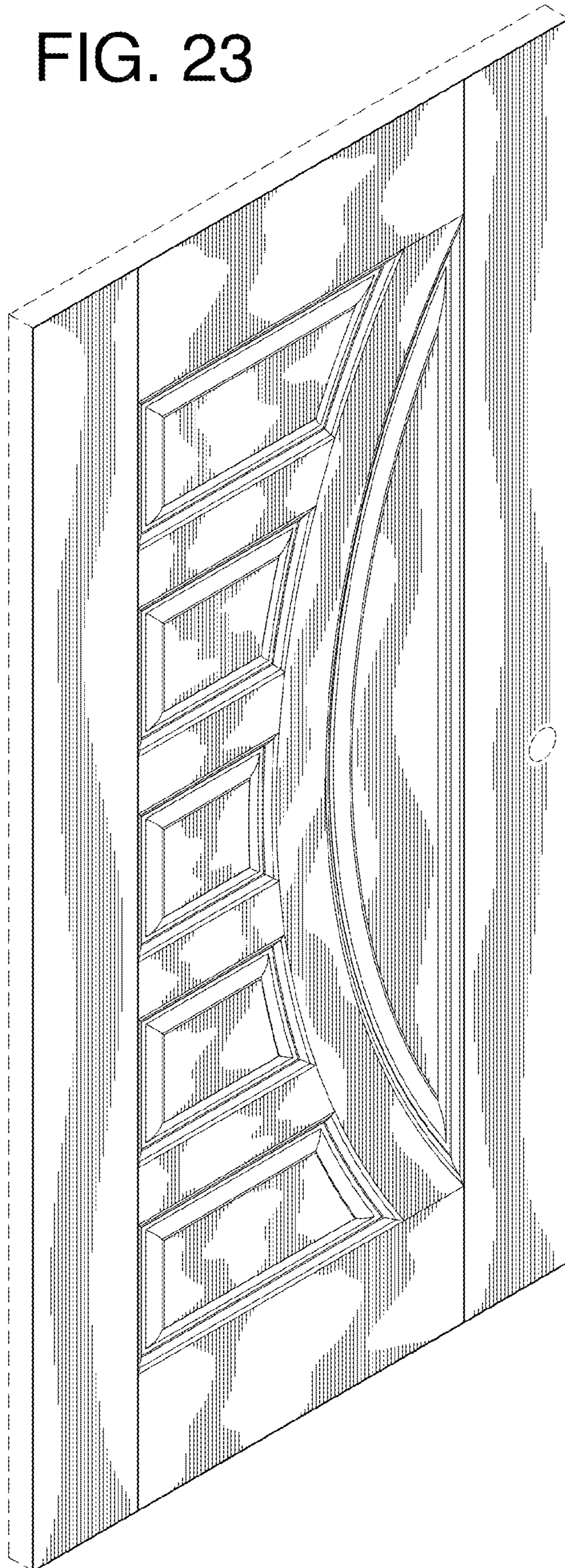


FIG. 24

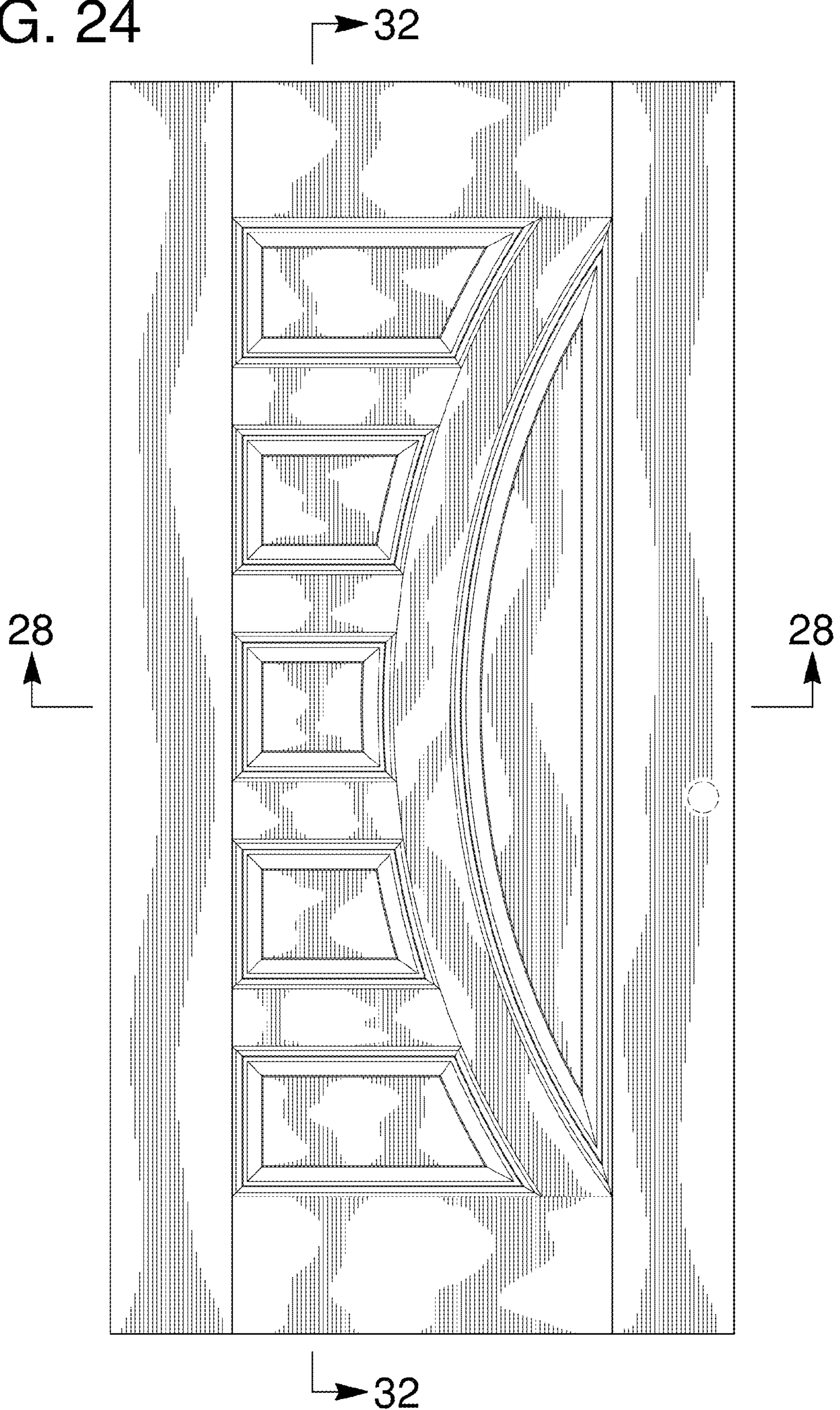




FIG. 25

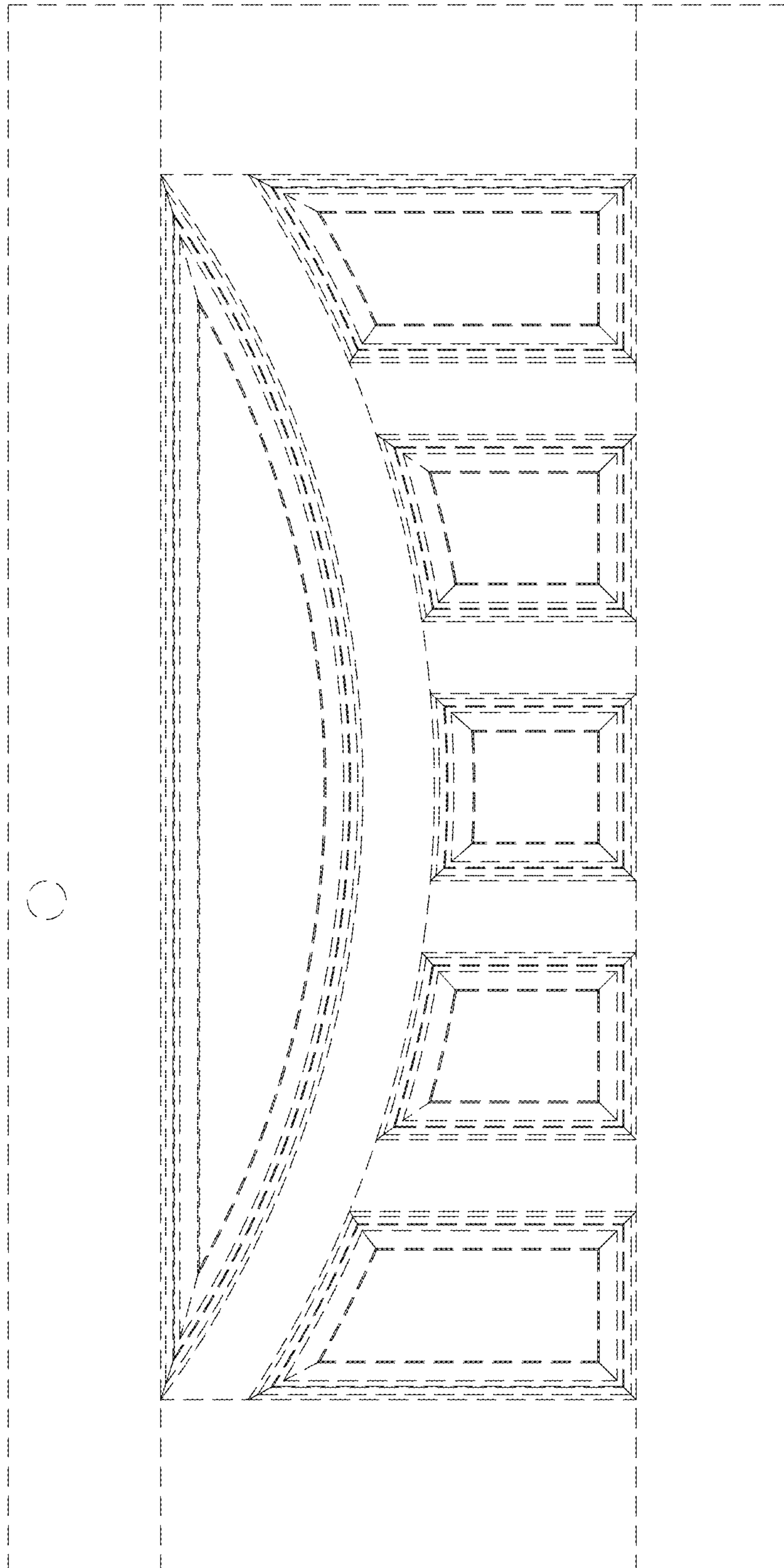


FIG. 26



FIG. 27

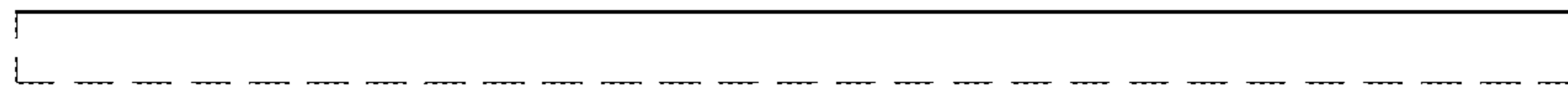


FIG. 28

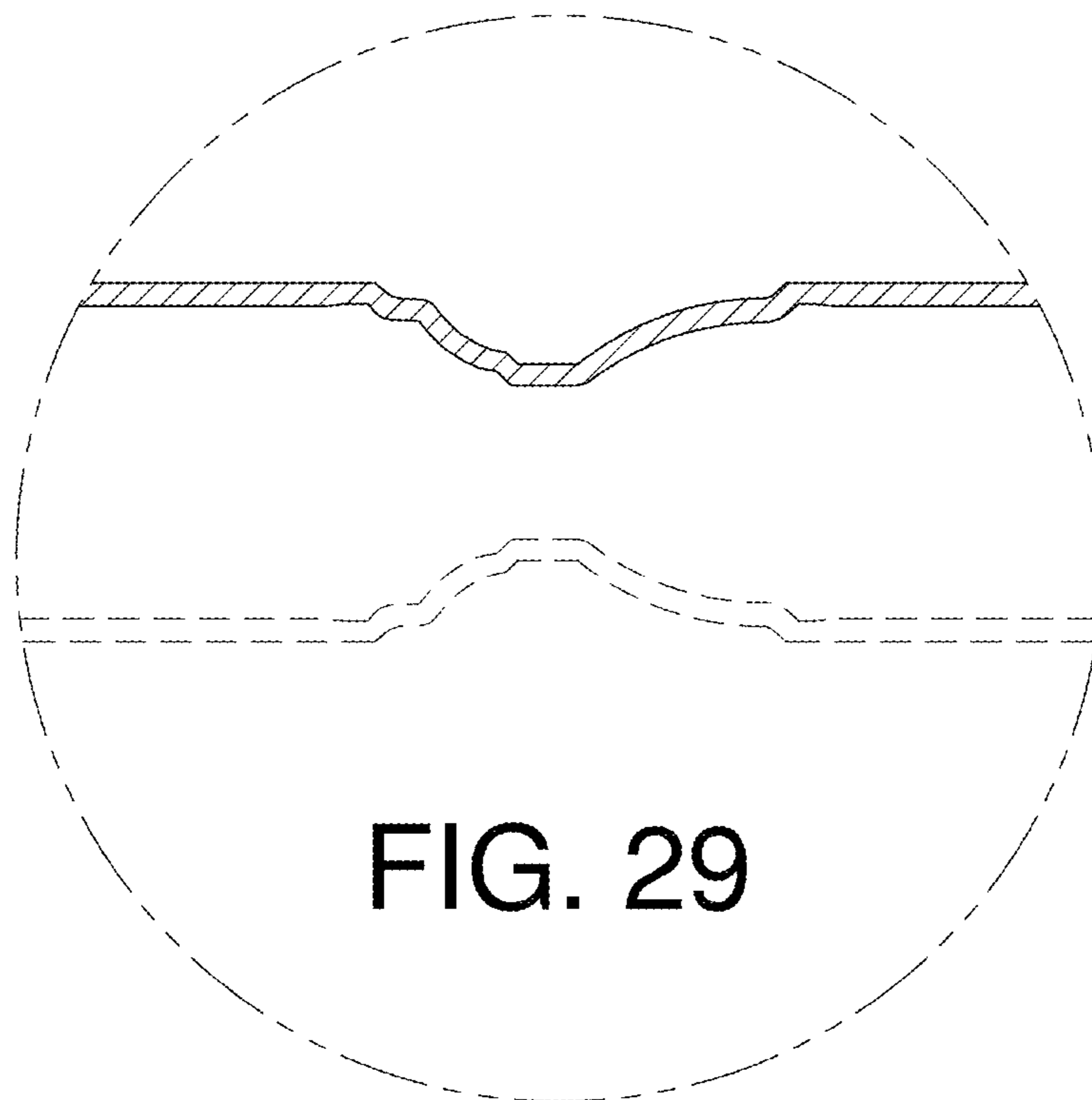
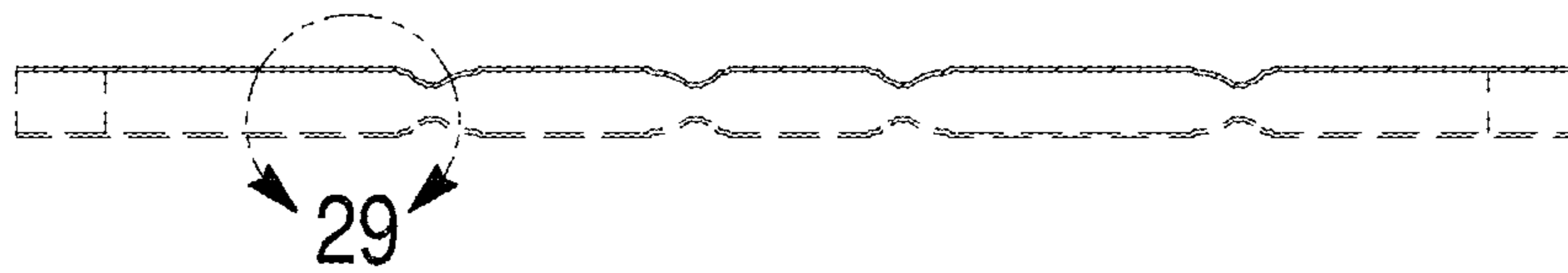


FIG. 29

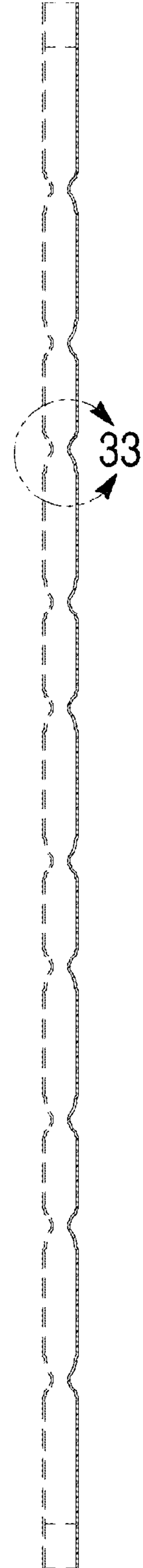
FIG. 30



FIG. 31



FIG. 32



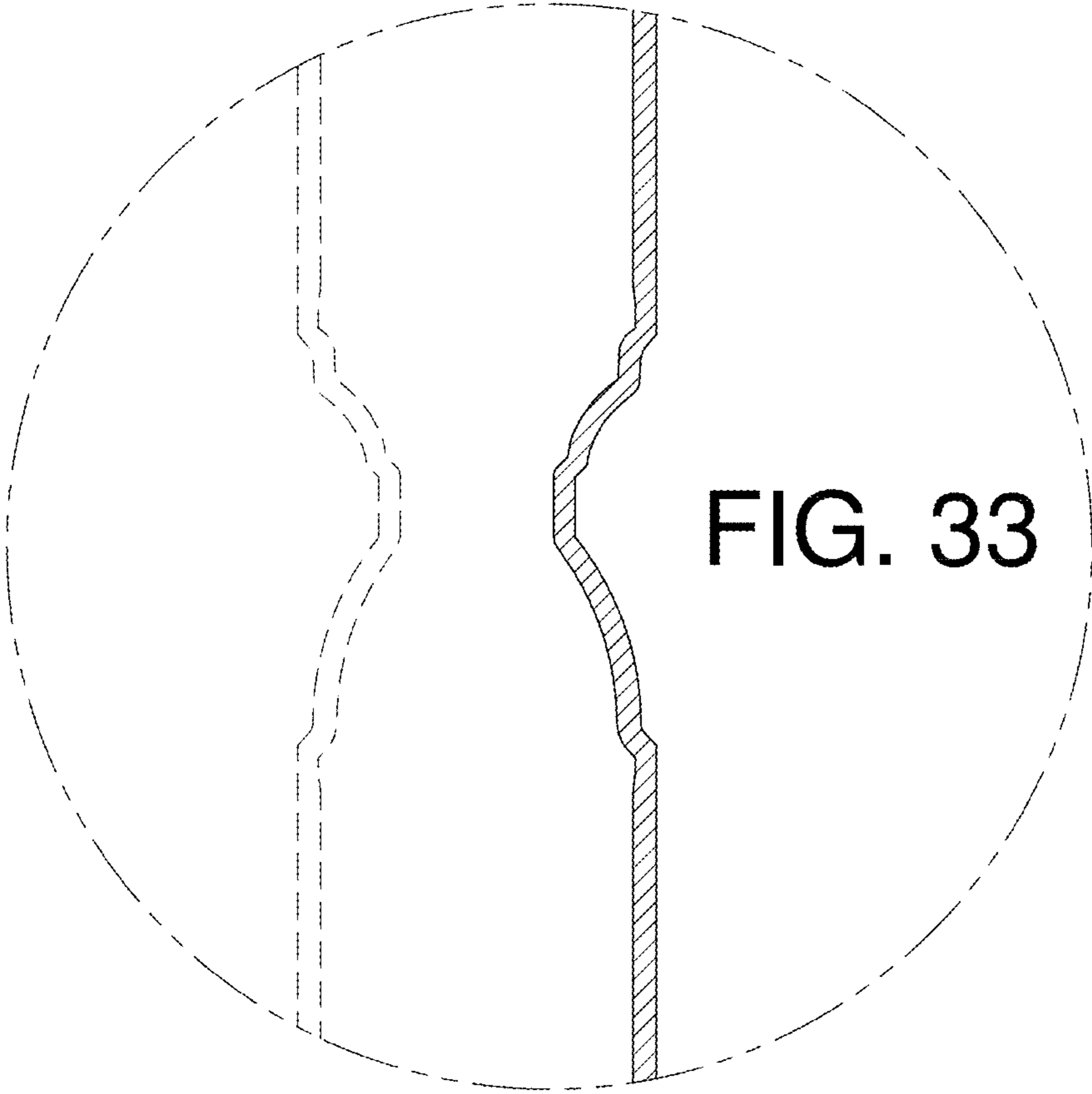


FIG. 34

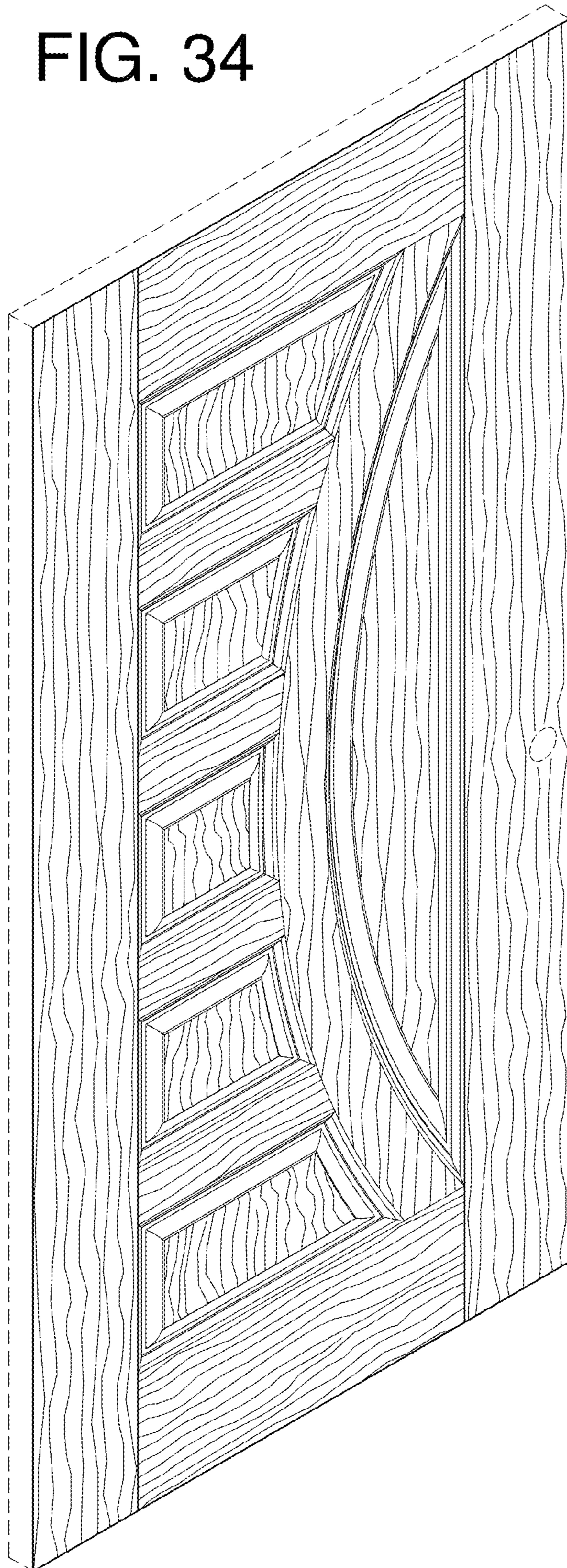


FIG. 35

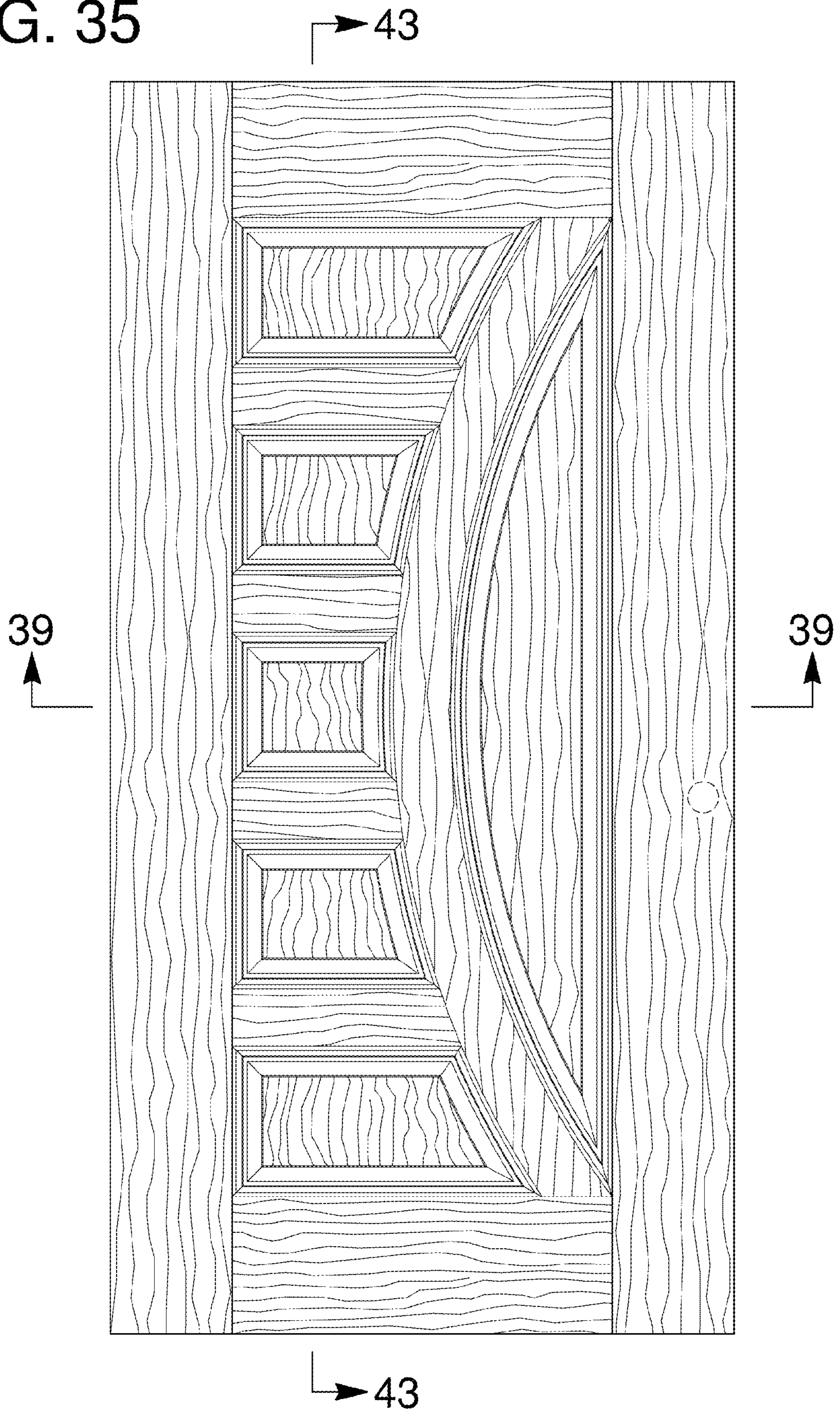


FIG. 36

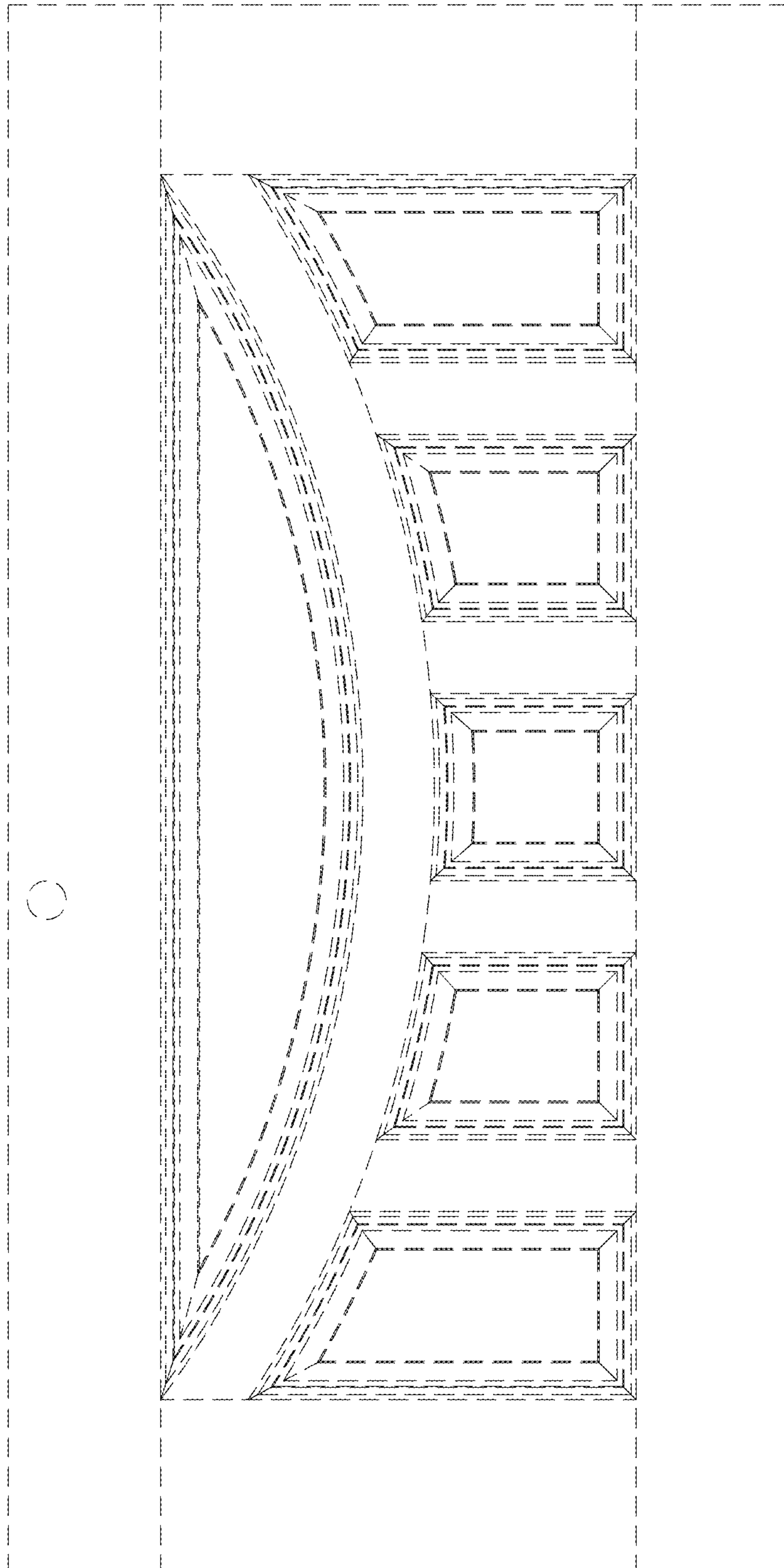


FIG. 37



FIG. 38

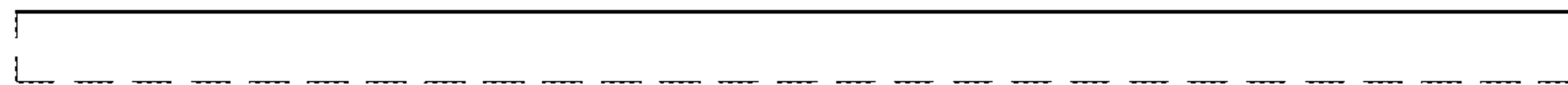


FIG. 39

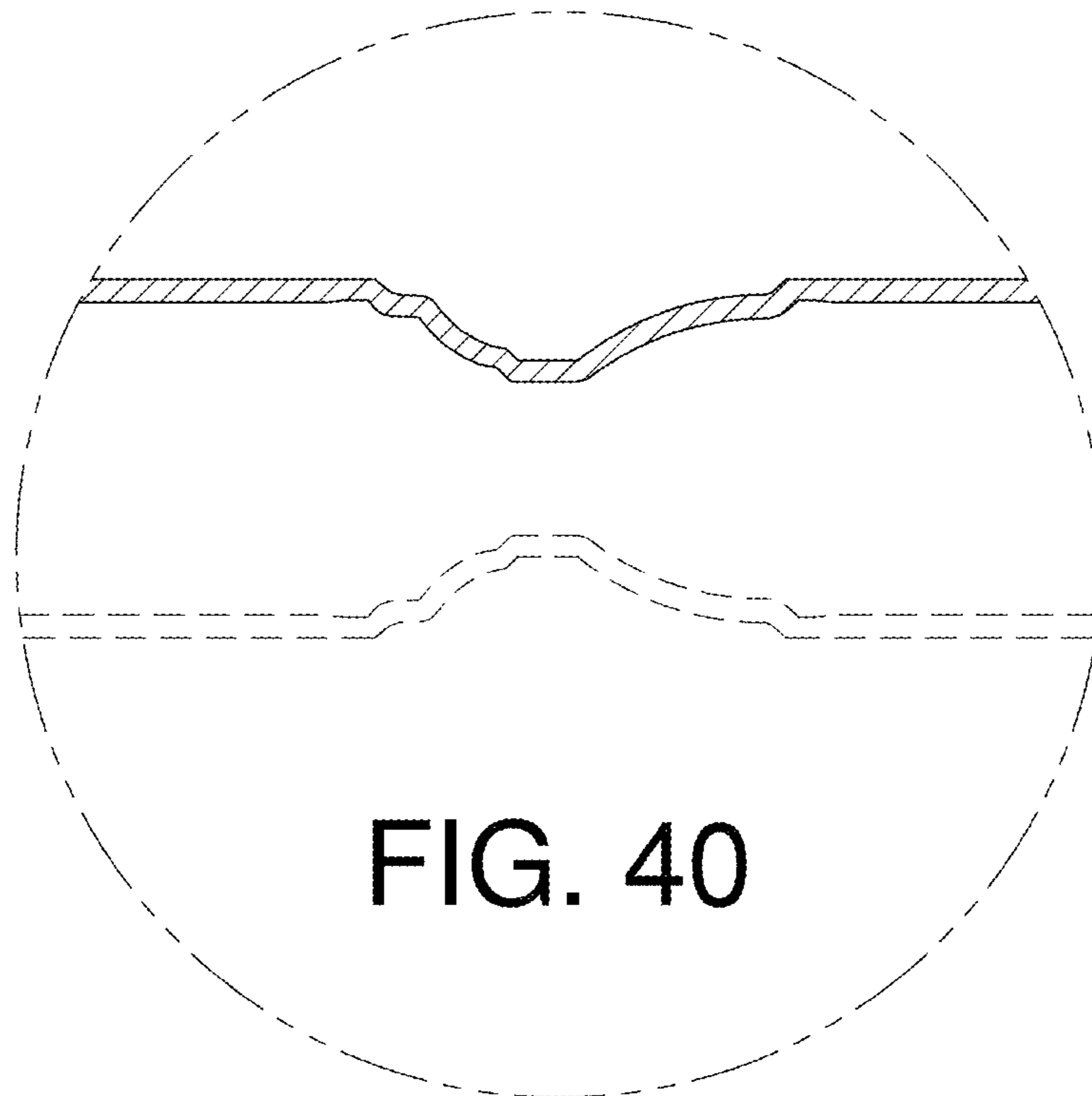
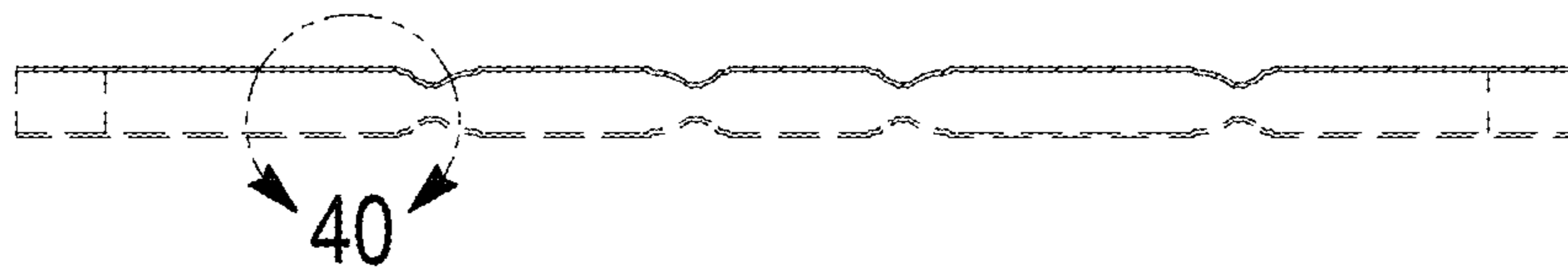


FIG. 40



FIG. 41

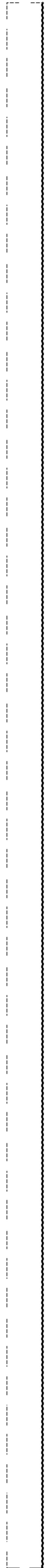


FIG. 42



FIG. 43

