



US00D923817S

(12) **United States Design Patent** (10) **Patent No.:** **US D923,817 S**
Guzman et al. (45) **Date of Patent:** **** Jun. 29, 2021**

(54) **ANALYTE
 CONCENTRATOR-MICROREACTOR
 DEVICE**

(71) Applicant: **PRINCETON BIOCHEMICALS,
 INC, Princeton, NJ (US)**

(72) Inventors: **Norberto Guzman, Princeton, NJ (US);
 Daniel E. Guzman, East Brunswick,
 NJ (US)**

(73) Assignee: **PRINCETON BIOCHEMICALS,
 INC, Princeton, NJ (US)**

(**) Term: **15 Years**

(21) Appl. No.: **29/696,763**

(22) Filed: **Jul. 1, 2019**

Related U.S. Application Data

(63) Continuation-in-part of application No. 29/559,616,
 filed on Mar. 30, 2016, now Pat. No. Des. 857,231.

(51) **LOC (13) Cl.** **24-01**

(52) **U.S. Cl.**
 USPC **D24/232**

(58) **Field of Classification Search**
 USPC D24/216, 223, 224, 231, 232, 233;
 D10/81
 CPC G01N 27/447; G01N 27/44743; G01N
 27/44765; G01N 33/5302; G01N 33/543;
 B01L 2200/026; B01L 2200/0642; B01L
 2200/0663

See application file for complete search history.

(56) **References Cited**

U.S. PATENT DOCUMENTS

6,190,616 B1 * 2/2001 Jovanovich G01N 30/6039
 137/625.17
 D857,231 S * 8/2019 Guzman D24/232

2008/0223722 A1 * 9/2008 Guzman G01N 27/44708
 204/453
 2012/0103816 A1 * 5/2012 Guzman B01L 3/502
 204/602
 2012/0285832 A1 * 11/2012 Guzman B01L 3/502753
 204/603
 2018/0280972 A1 * 10/2018 Guzman G01N 27/44743

* cited by examiner

Primary Examiner — Anhdao Doan

(74) *Attorney, Agent, or Firm* — Porzio Bromberg &
 Newman P.C.

(57) **CLAIM**

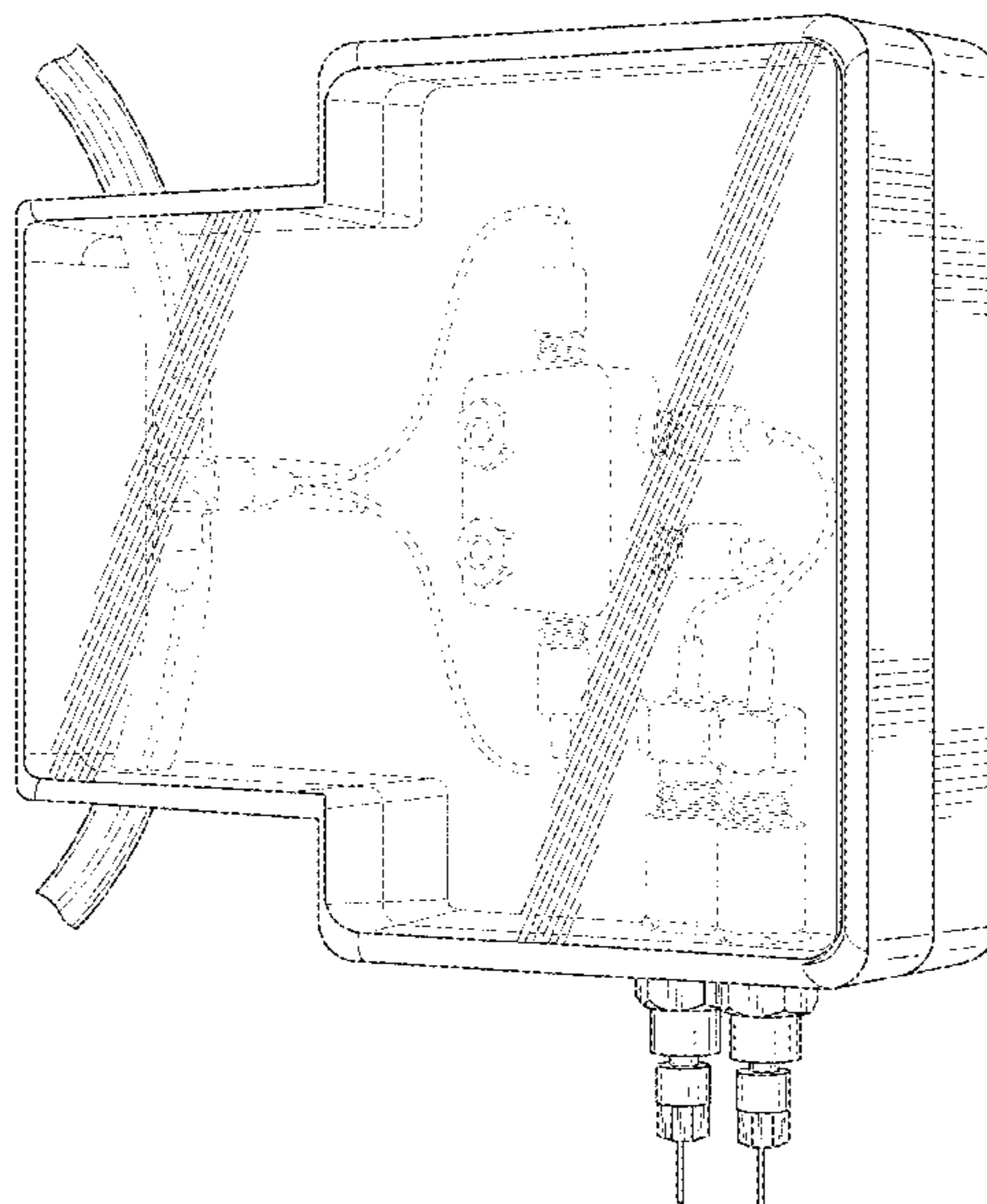
We claim, the ornamental design for an analyte concentra-
 tor-microreactor device, as shown and described.

DESCRIPTION

FIG. 1 is a perspective view of an analyte concentrator-
 microreactor device;
 FIG. 2 is another perspective view of FIG. 1;
 FIG. 3 is a bottom view of FIG. 1;
 FIG. 4 is a top view of FIG. 1;
 FIG. 5 is a right side view of FIG. 1;
 FIG. 6 is a left side view of FIG. 1;
 FIG. 7 is a rear view of FIG. 1;
 FIG. 8 is a front view FIG. 1;
 FIG. 9 is a perspective view of an analyte concentrator-
 microreactor device;
 FIG. 10 is another perspective view of FIG. 9;
 FIG. 11 is a bottom view of FIG. 9;
 FIG. 12 is a top view of FIG. 9;
 FIG. 13 is a right side view of FIG. 9;
 FIG. 14 is a left side view of FIG. 9;
 FIG. 15 is a rear view of FIG. 9; and,
 FIG. 16 is a front view FIG. 9.

The broken lines illustrate portions of the analyte concen-
 trator-microreactor that form no part of the claimed design.

1 Claim, 12 Drawing Sheets



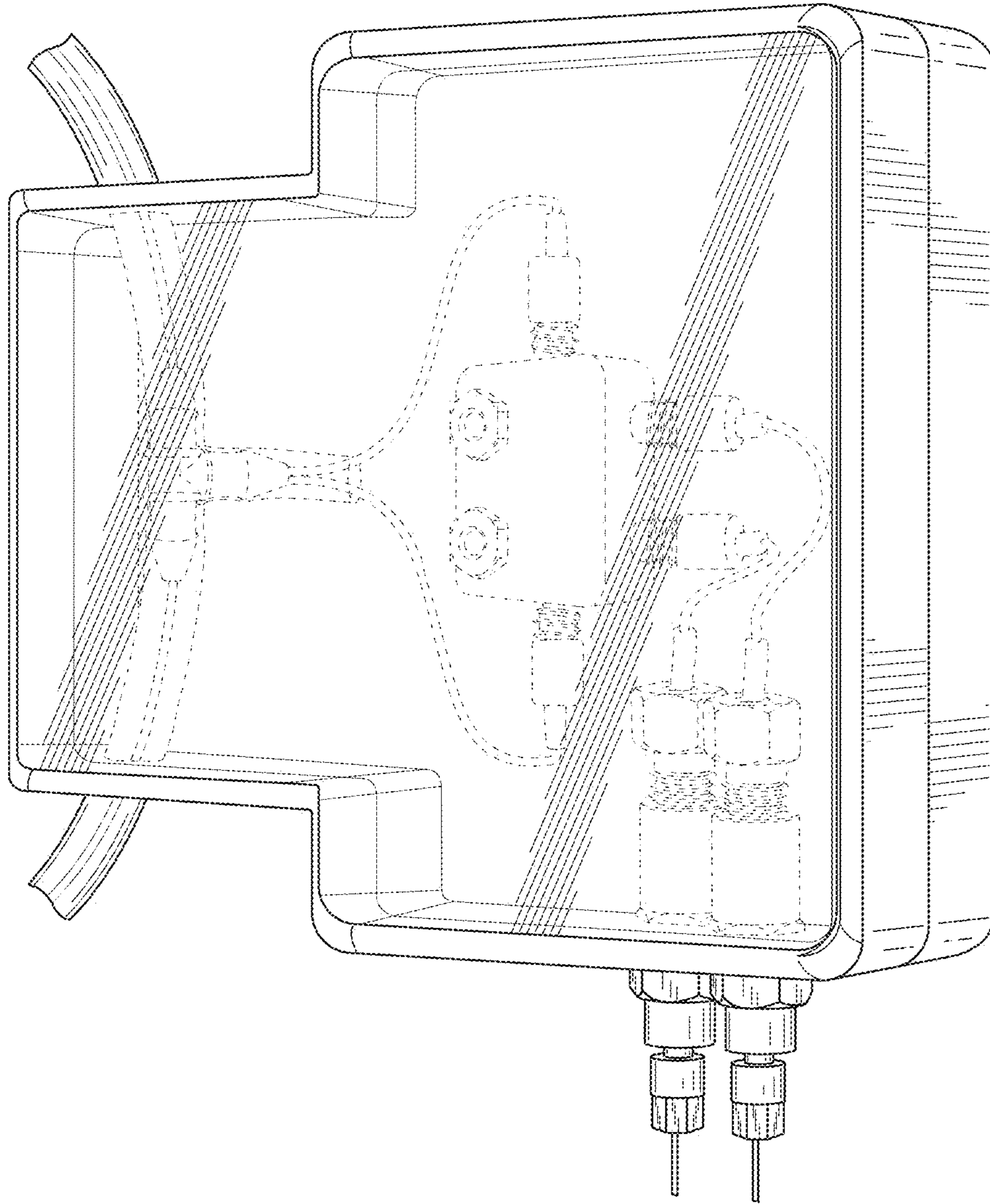


FIG. 1

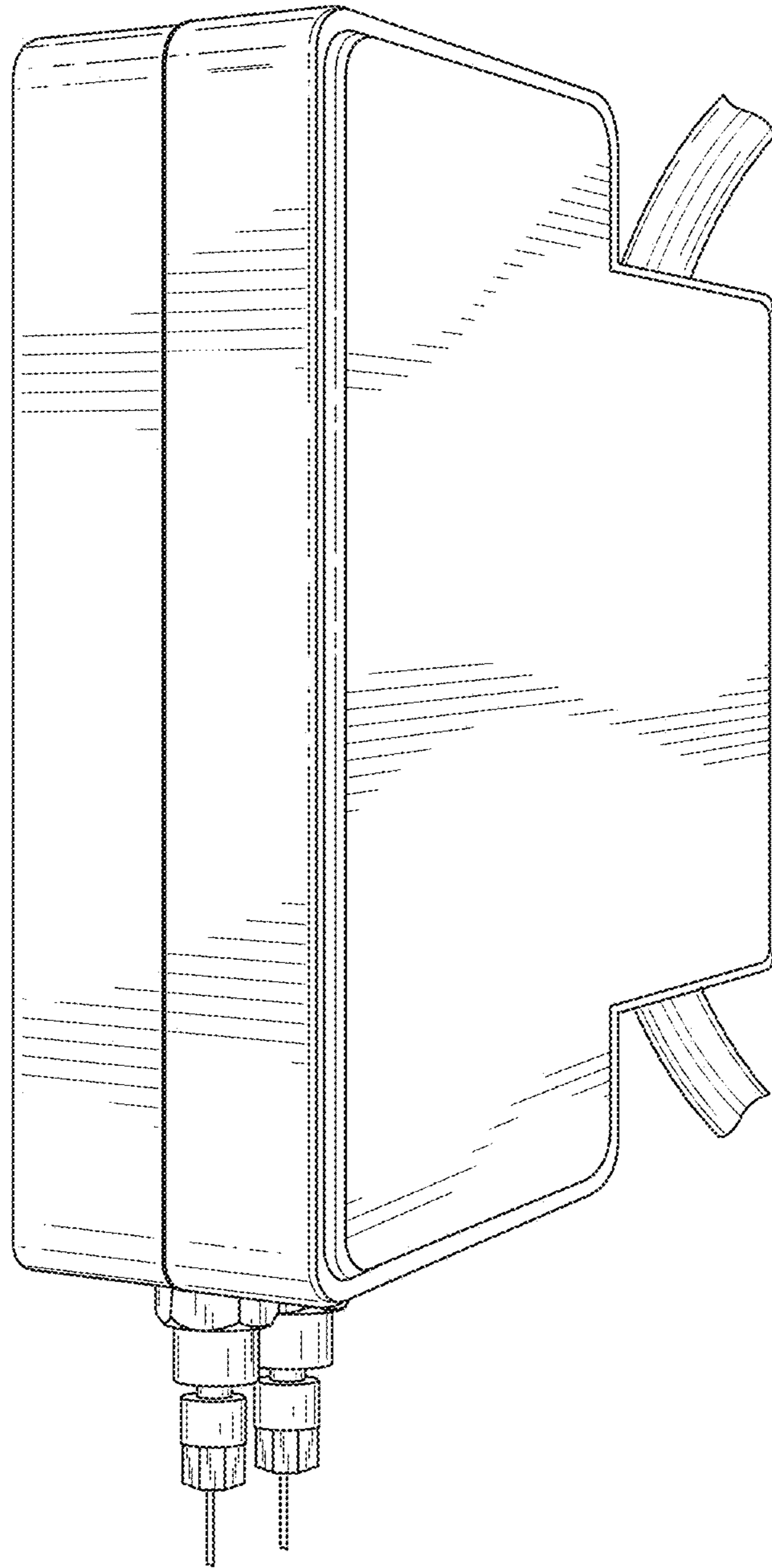


FIG. 2

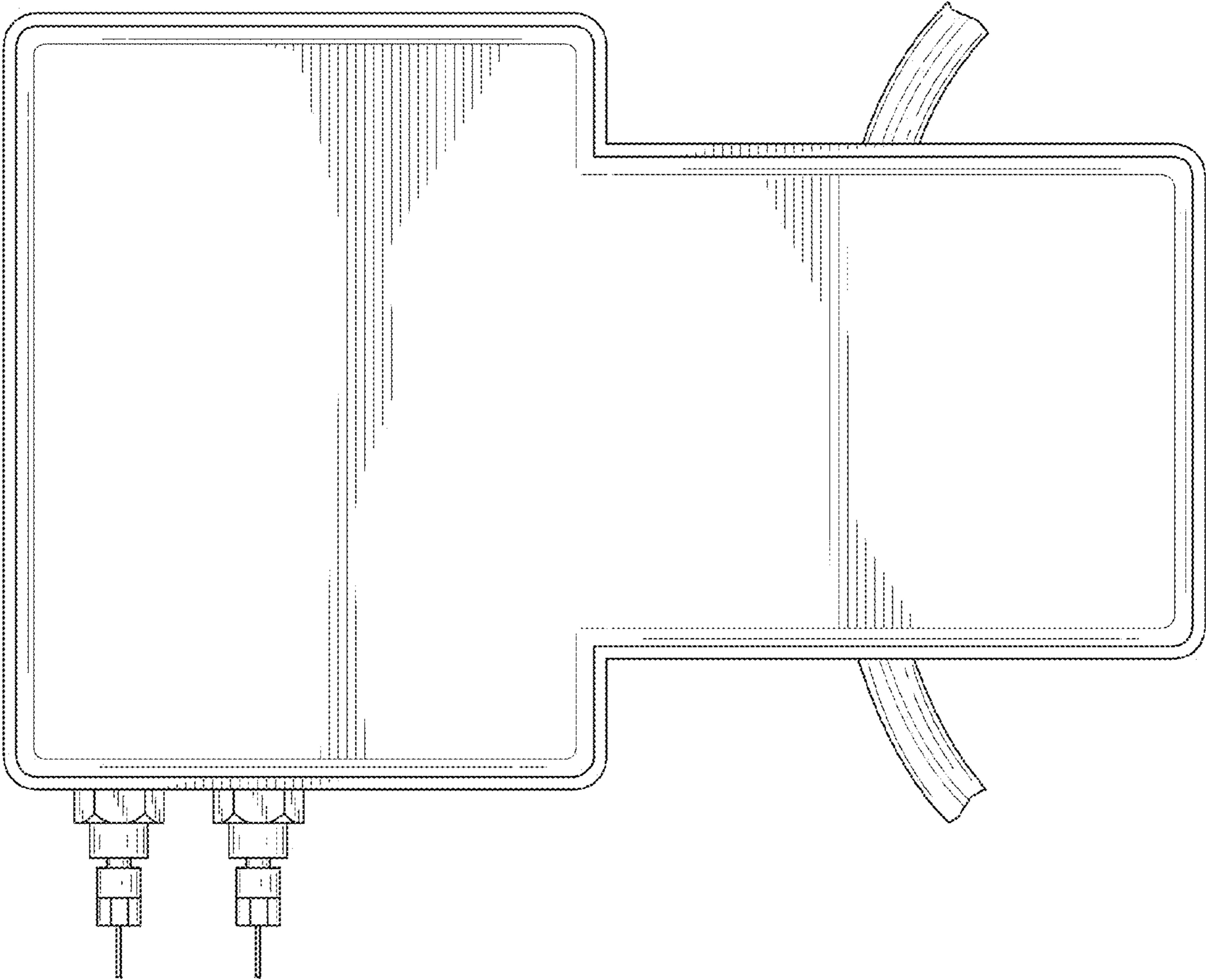


FIG. 3

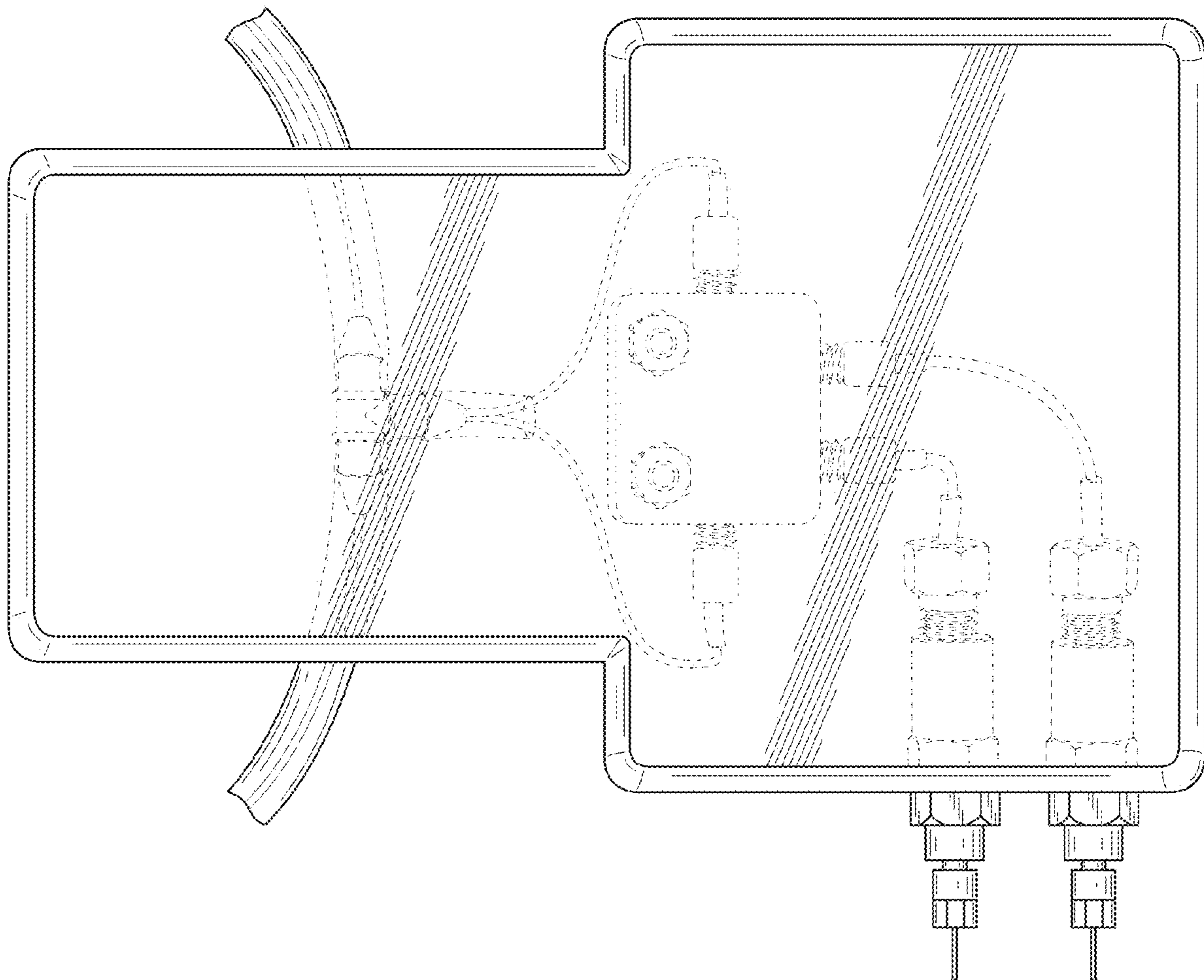


FIG. 4

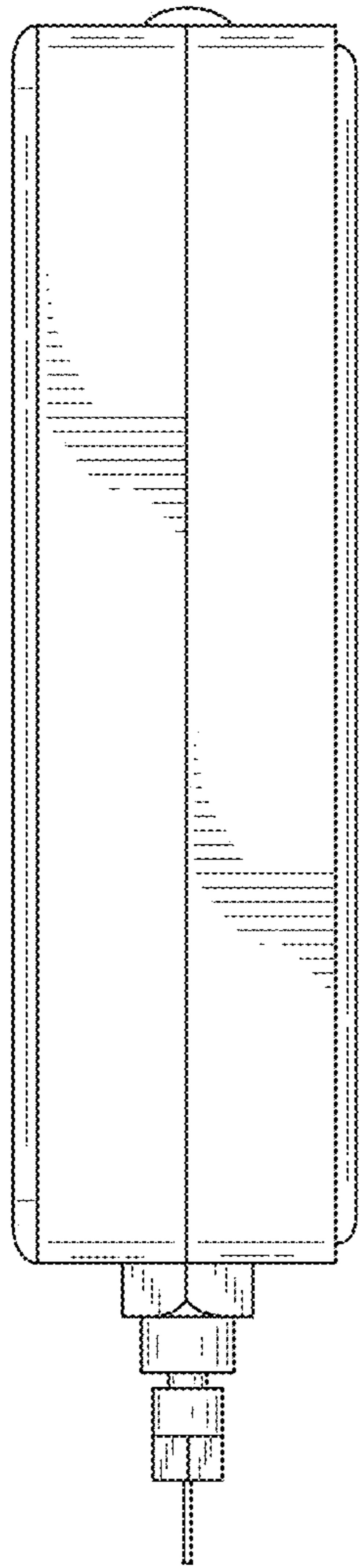


FIG. 5

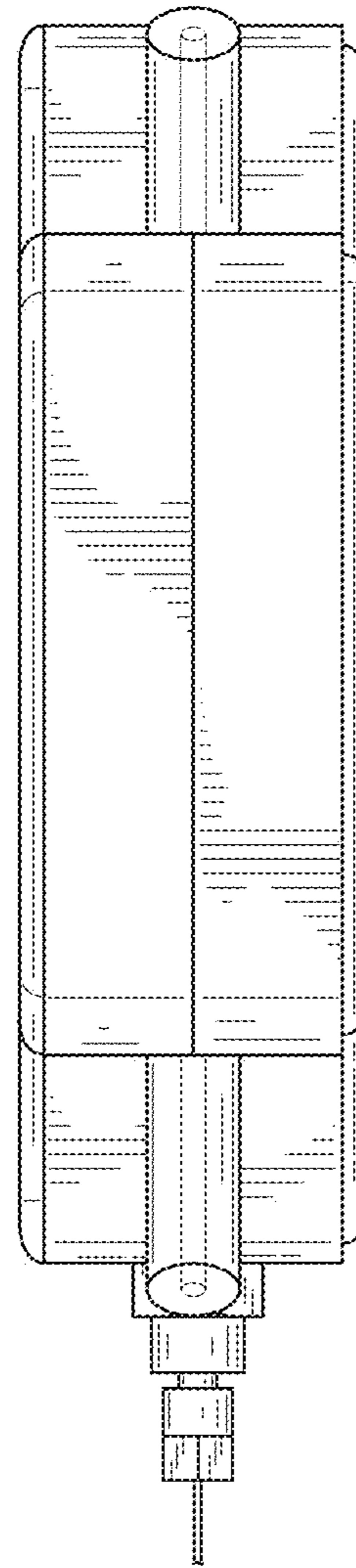


FIG. 6

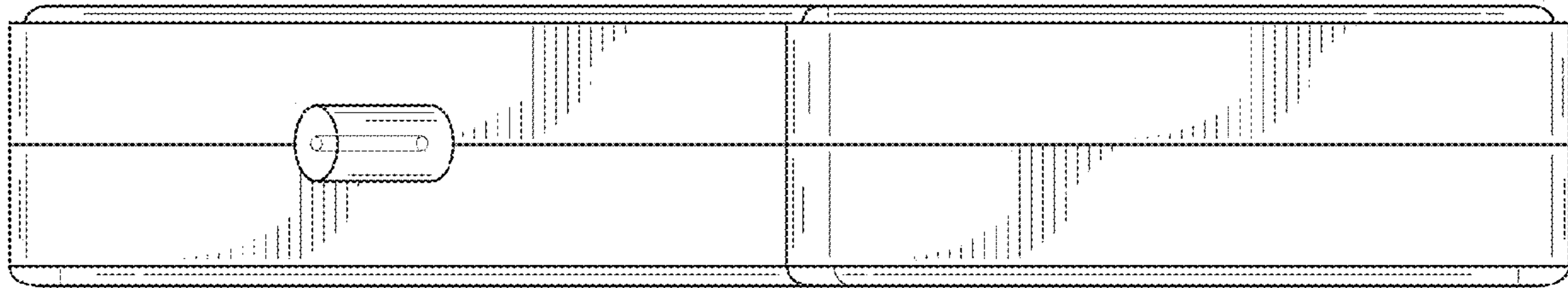


FIG. 7

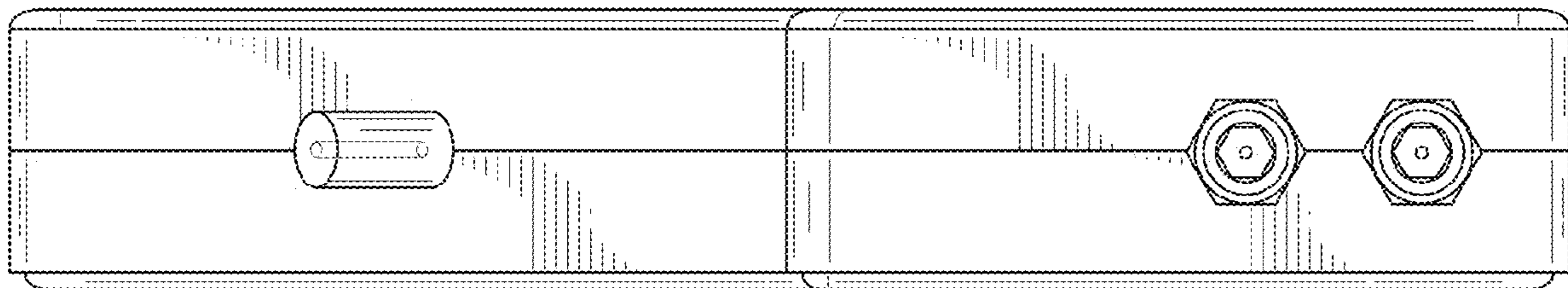


FIG. 8

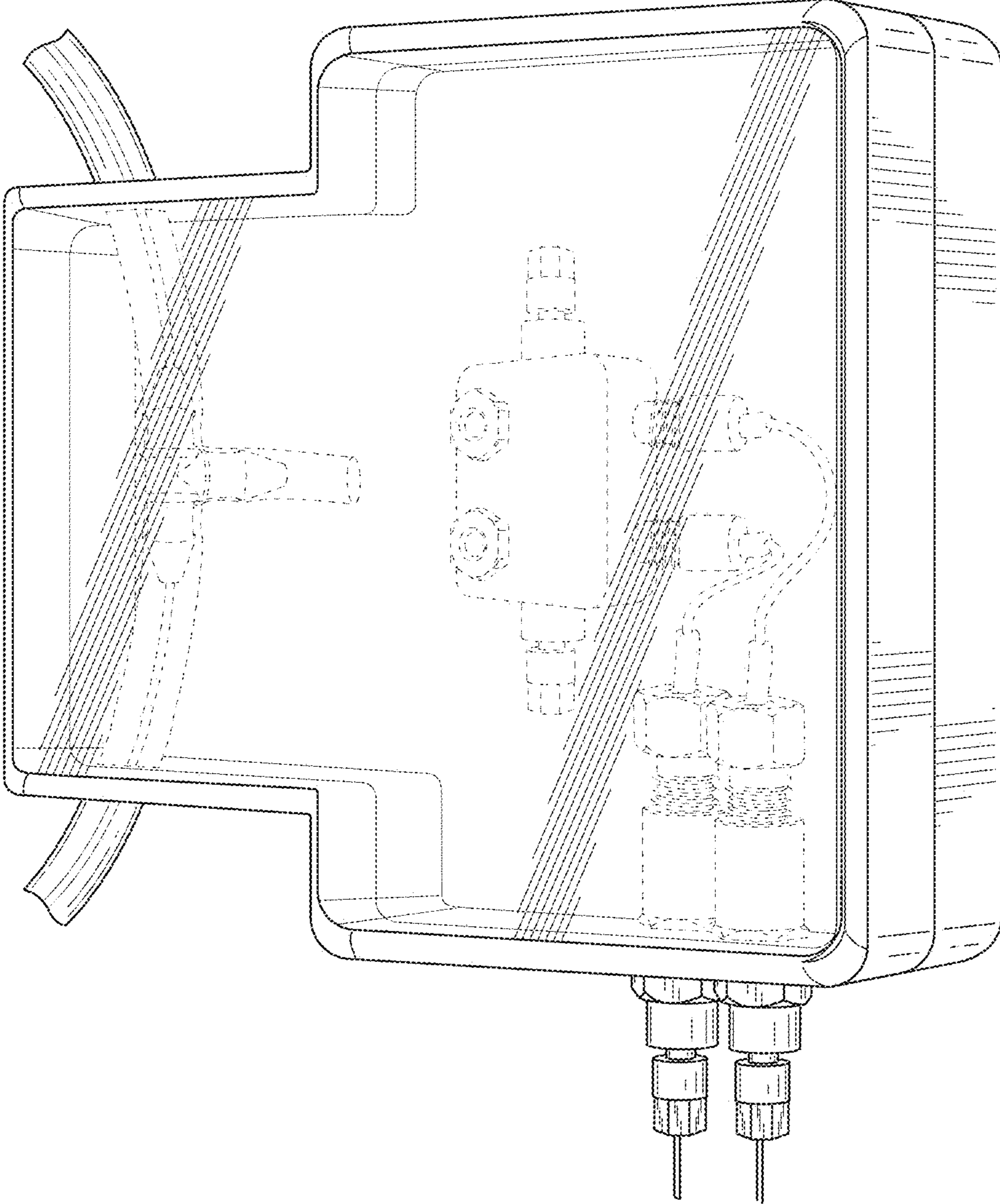


FIG. 9

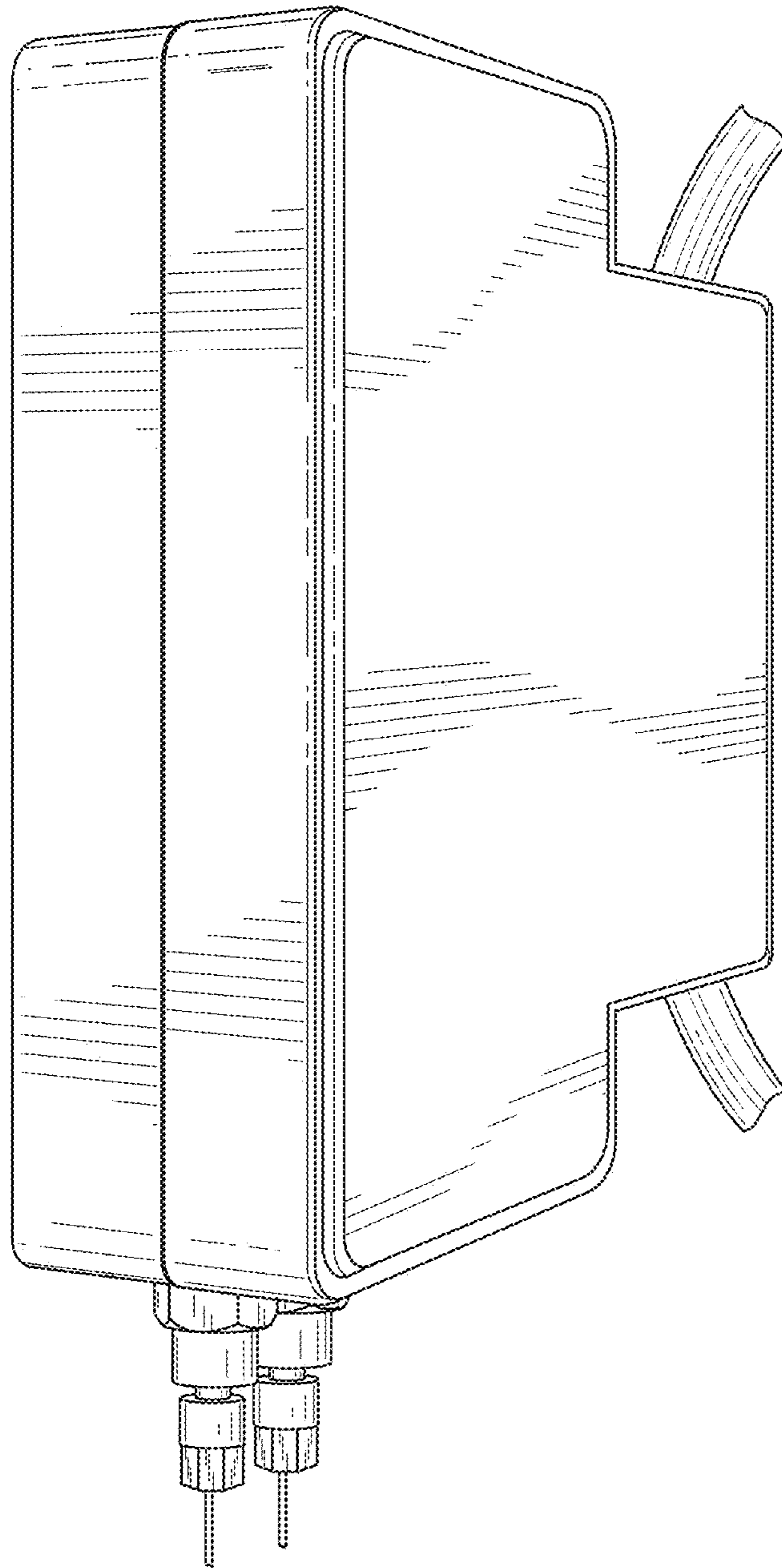


FIG. 10

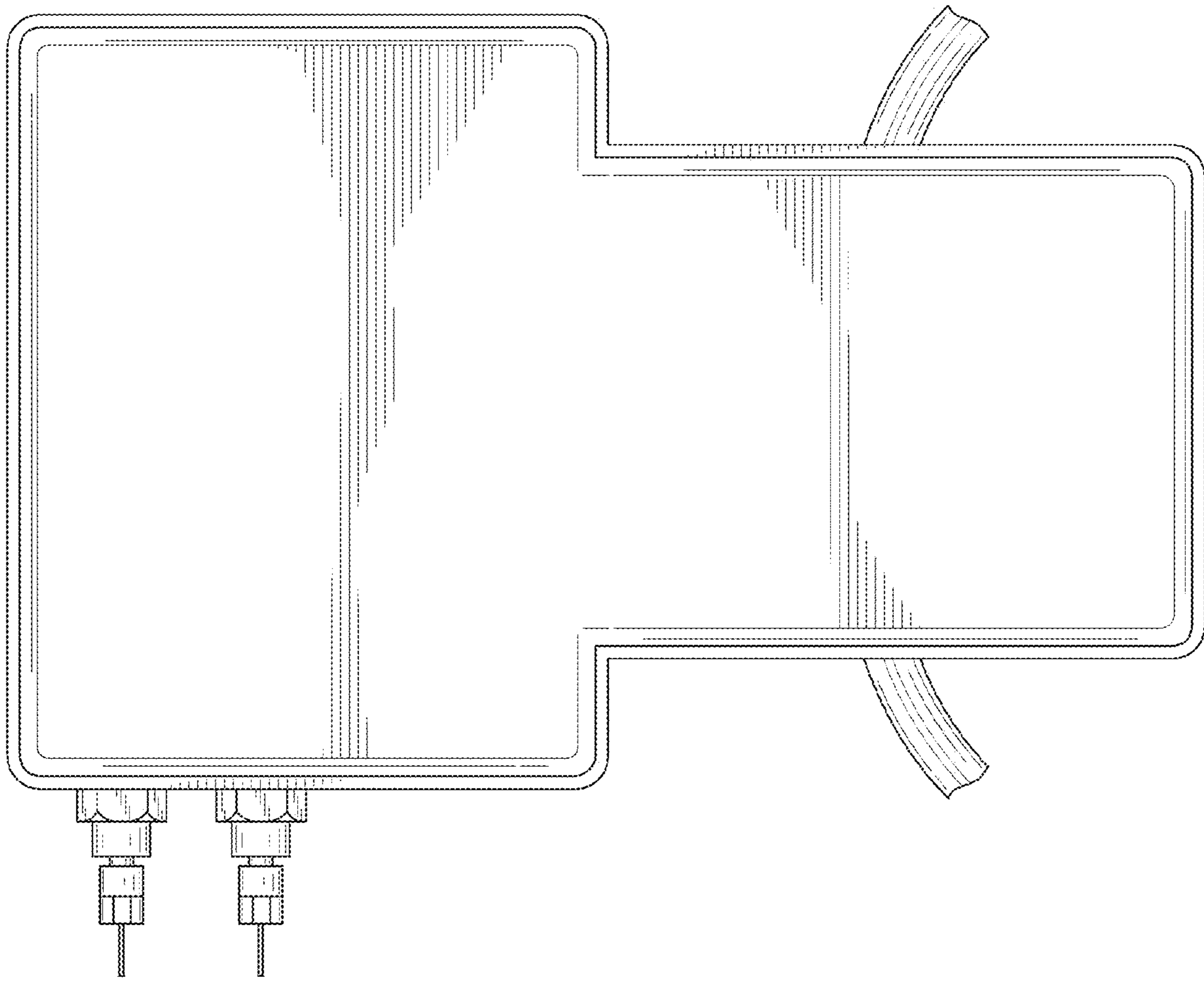


FIG. 11

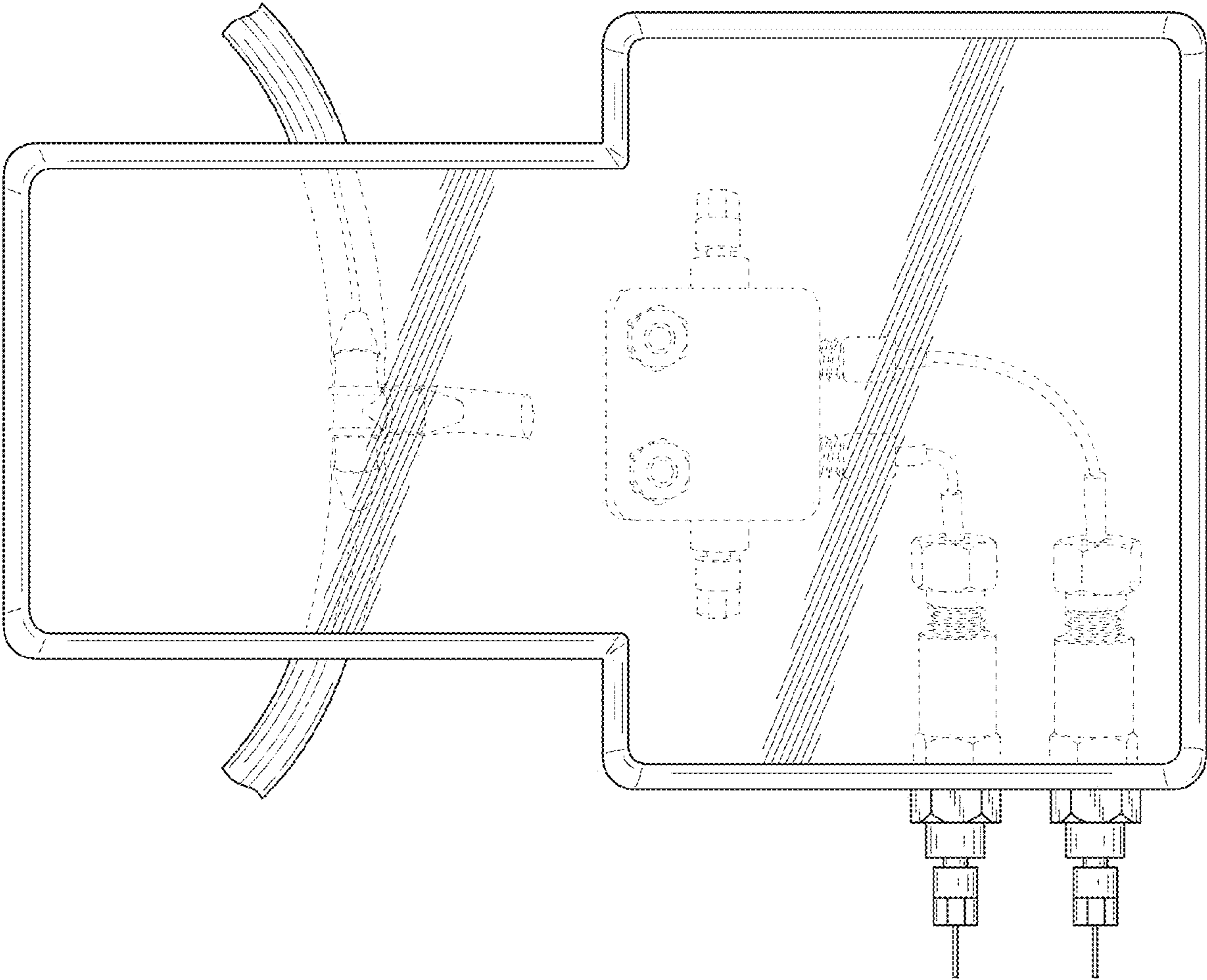


FIG. 12

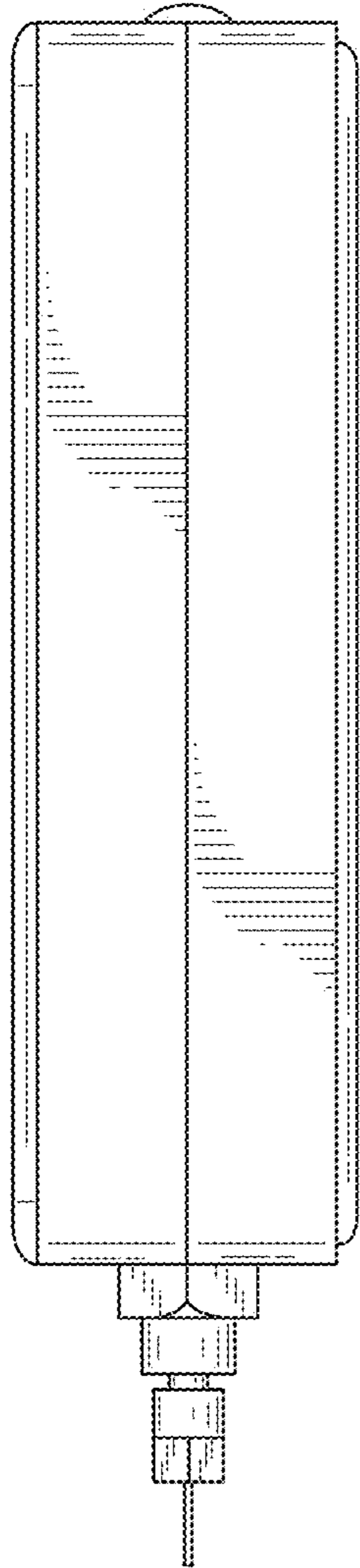


FIG. 13

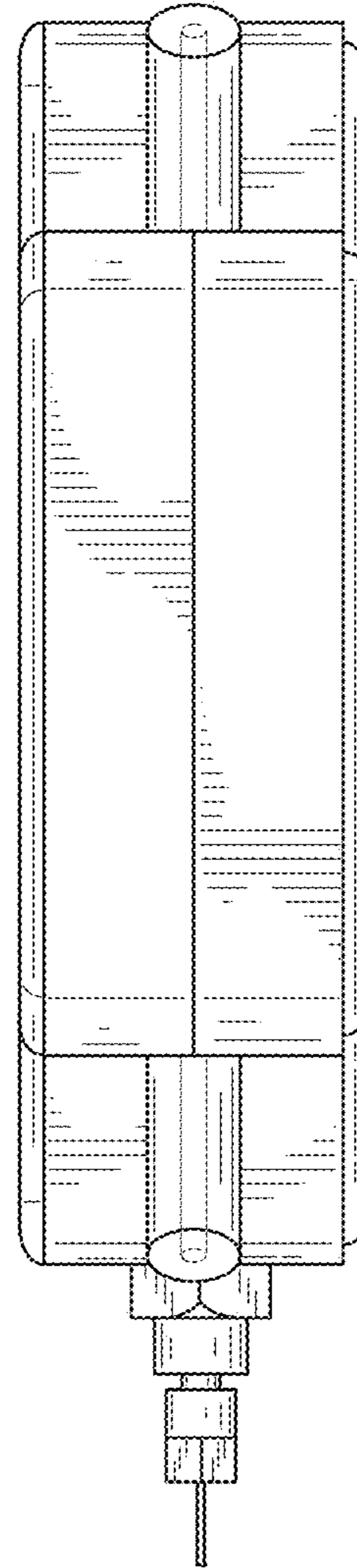


FIG. 14

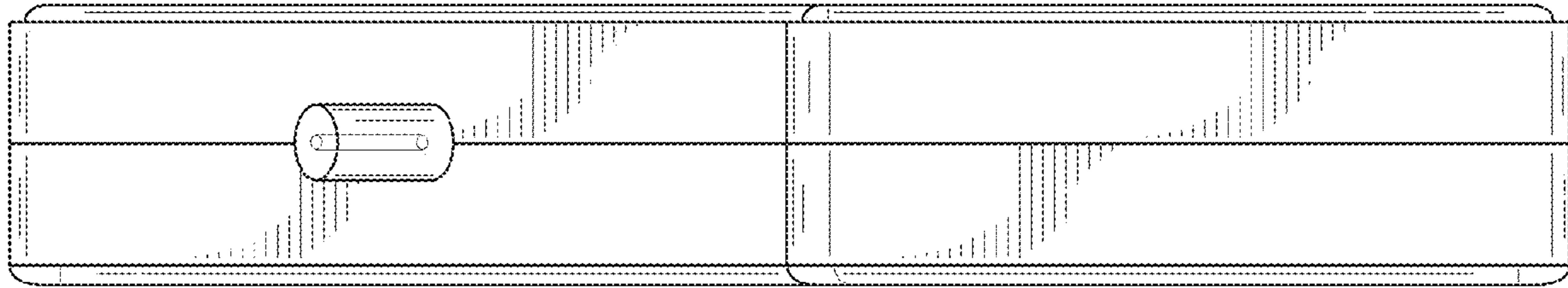


FIG. 15

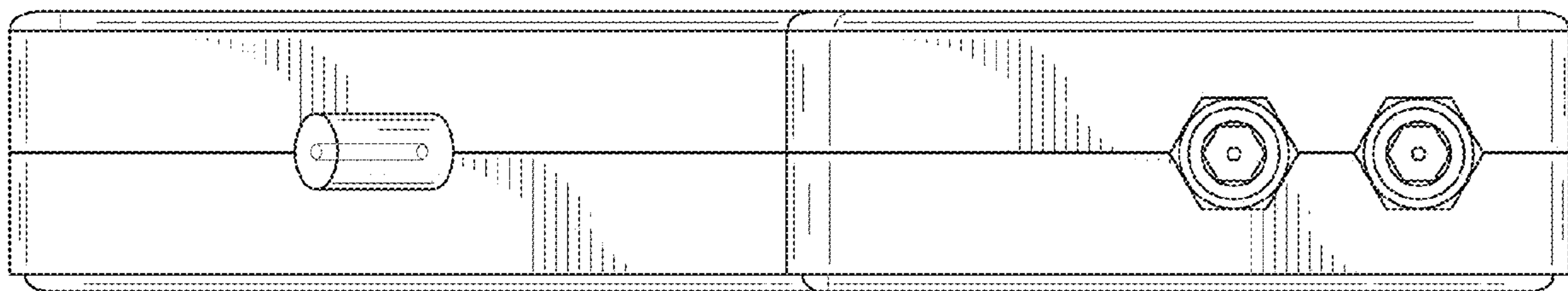


FIG. 16