



US00D923816S

(12) **United States Design Patent**
Motadel et al.

(10) **Patent No.:** **US D923,816 S**
(45) **Date of Patent:** **** Jun. 29, 2021**

(54) **PIPETTE TIP TRAY**

(71) Applicant: **Biotix, Inc.**, San Diego, CA (US)

(72) Inventors: **Arta Motadel**, San Diego, CA (US);
Peter Paul Blaszcak, San Diego, CA (US)

(73) Assignee: **BIOTIX, INC.**, San Diego, CA (US)

(**) Term: **15 Years**

(21) Appl. No.: **29/684,389**

(22) Filed: **Mar. 20, 2019**

(51) **LOC (13) Cl.** **24-02**

(52) **U.S. Cl.**
USPC **D24/227**

(58) **Field of Classification Search**
USPC D24/108, 127-130, 216, 222, 224-232;
D9/756-758; D6/406.1-406.3, 406.6;
D19/37; D3/203.1, 304
(Continued)

(56) **References Cited**

U.S. PATENT DOCUMENTS

4,577,760 A 3/1986 Rainin et al.
4,676,377 A 6/1987 Rainin et al.
(Continued)

FOREIGN PATENT DOCUMENTS

EP 1 128 907 9/2001
JP 54-052433 4/1979
(Continued)

OTHER PUBLICATIONS

Racks For Tips For Pipette With Filter Element 5ml. Online, published date unknown. Retrieved on Sep. 8, 2020 from URL: https://www.toolots.com/80208085.html?cid=10196878749&gclid=EAIalQobChMIlnqDBxZna6wIVGUWGChOJRQxkEAQYDCABEglM6_D_BwE.*

(Continued)

Primary Examiner — Susan Bennett Hattan

Assistant Examiner — Omeed Agilee

(74) *Attorney, Agent, or Firm* — Grant IP, Inc.

(57) **CLAIM**

The ornamental design for a pipette tip tray, as shown and described.

DESCRIPTION

FIG. 1 is a top, front perspective view of the first embodiment of a pipette tip tray with lid in a closed position; FIG. 2 is a bottom, front perspective view thereof; FIG. 3 is a top view thereof; FIG. 4 is a bottom view thereof; FIG. 5 is a front view thereof; FIG. 6 is a back view thereof; FIG. 7 is a side view thereof; FIG. 8 is a side view thereof; FIG. 9 is a front, top perspective view of the first embodiment of the pipette tip tray with lid in an open position; FIG. 10 is a bottom perspective view thereof; FIG. 11 is a top view thereof; FIG. 12 is a bottom view thereof; FIG. 13 is a front view thereof; FIG. 14 is a back view thereof; FIG. 15 is a side view thereof; and FIG. 16 is a side view thereof. FIG. 17 is a top, front perspective view of the second embodiment of a pipette tip tray, with lid in a closed position; FIG. 18 is a bottom, front perspective view thereof; FIG. 19 is a top view thereof; FIG. 20 is a bottom view thereof; FIG. 21 is a front view thereof; FIG. 22 is a back view thereof; FIG. 23 is a side view thereof; FIG. 24 is a side view thereof; FIG. 25 is a front, top perspective view of the second embodiment of the pipette tip tray with lid in an open position; FIG. 26 is a bottom perspective view thereof; FIG. 27 is a top view thereof; FIG. 28 is a bottom view thereof;

(Continued)

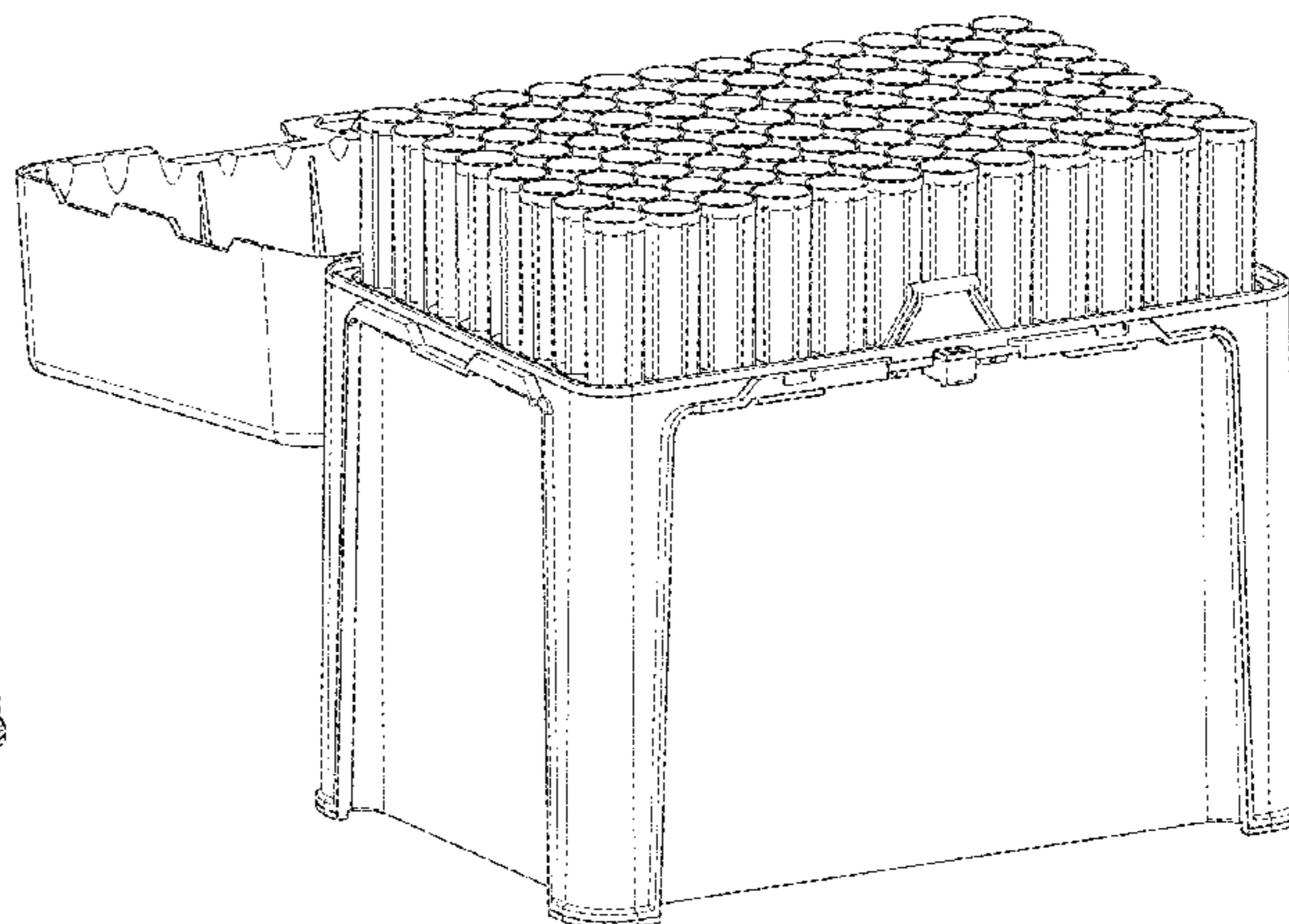
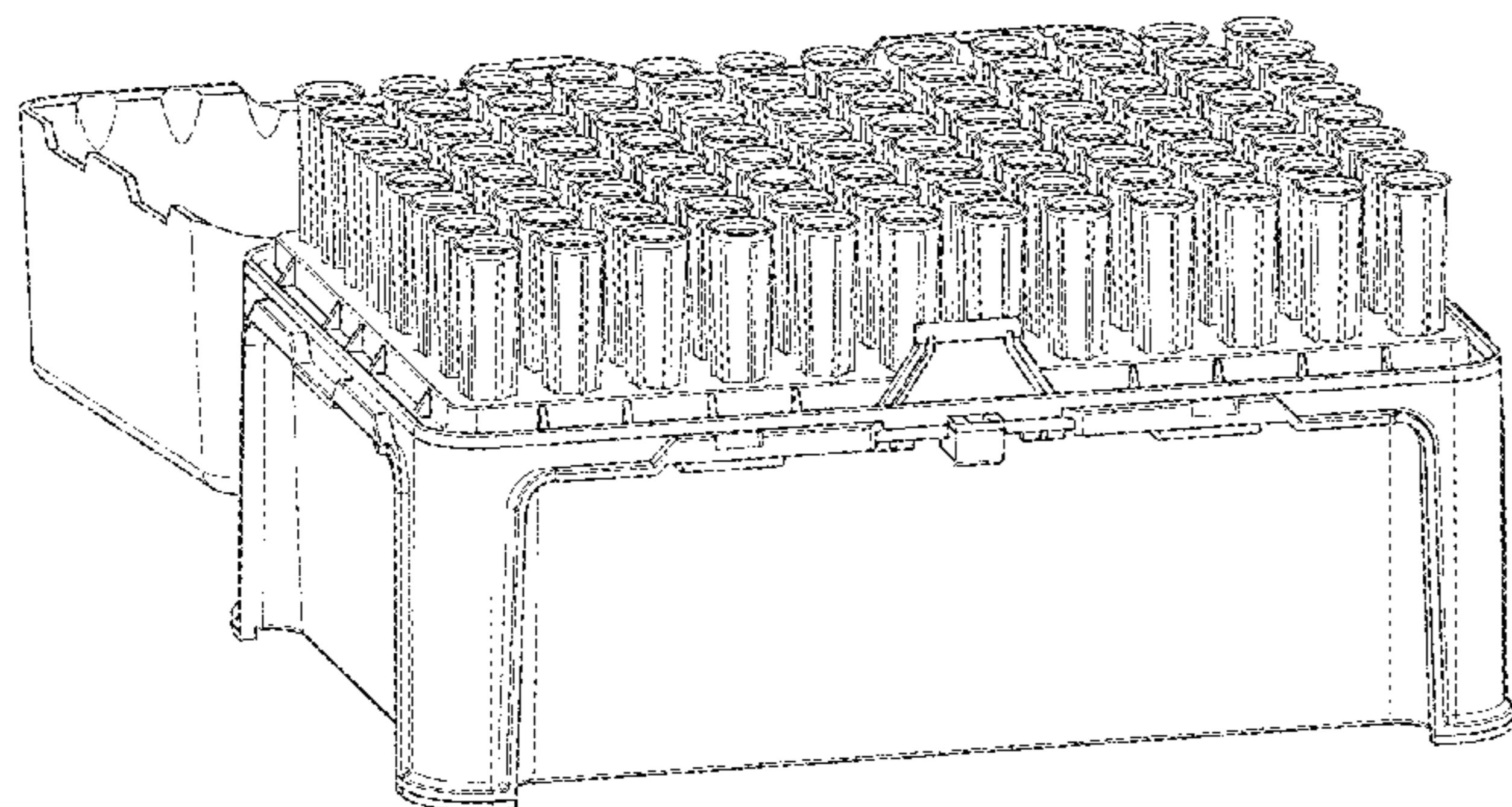


FIG. 29 is a front view thereof;
 FIG. 30 is a back view thereof;
 FIG. 31 is a side view thereof; and,
 FIG. 32 is a side view thereof.
 The broken lines of the drawings depict portions of the first and second embodiments of the pipette tip tray that form no part of the claimed design.

1 Claim, 32 Drawing Sheets

(58) **Field of Classification Search**
 CPC B01L 9/543; G01N 35/0099
 See application file for complete search history.

(56) **References Cited**

U.S. PATENT DOCUMENTS

5,366,088	A	11/1994	Hill et al.	
5,487,872	A	1/1996	Hafeman et al.	
6,221,317	B1	4/2001	Carl	
6,286,678	B1	9/2001	Petrek	
D464,734	S	10/2002	Berna	
D574,505	S	8/2008	Muller-Cohn	
D631,557	S	1/2011	Tajima	
D632,803	S *	2/2011	Motadel	D24/229
8,312,781	B2	11/2012	Himmelsbach	
D699,370	S *	2/2014	Motadel	D24/229
D699,859	S	2/2014	Motadel	
D724,236	S *	3/2015	Motadel	D24/227
9,156,598	B2	10/2015	Nicoletti	
9,238,227	B2	1/2016	Motadel	
D768,873	S	10/2016	Stedman	
9,545,635	B2	1/2017	Motadel et al.	
D808,540	S	1/2018	Johns	
D812,243	S	3/2018	Johns	
D826,426	S	8/2018	Muller	
D839,445	S *	1/2019	Motadel	D24/222
D840,053	S	2/2019	Kamees	
D844,806	S	4/2019	Johns	
10,300,488	B2	5/2019	Motadel	
D873,436	S *	1/2020	O'Connell	D24/229
D886,321	S *	6/2020	Motadel	D24/229
D888,280	S	6/2020	Motadel et al.	
2005/0150808	A1 *	7/2005	Sama	B01L 9/543 206/562
2006/0045815	A1 *	3/2006	Hovatter	B01L 9/543 422/536
2010/0221151	A1 *	9/2010	Motadel	B01L 9/543 422/526
2010/0266457	A1	10/2010	Rethwisch et al.	
2011/0236278	A1 *	9/2011	Motadel	B01L 9/543 422/560
2011/0306051	A1	12/2011	Belz	
2011/0306053	A1	12/2011	Ochsenbein	
2011/0306118	A1	12/2011	Belz	
2013/0108522	A1	5/2013	Cohen et al.	
2014/0234182	A1	8/2014	Motadel et al.	

2014/0308181	A1	10/2014	Blumentritt	
2016/0001292	A1	1/2016	Motadel et al.	
2016/0101422	A1	4/2016	Bucher	
2016/0167041	A1	6/2016	Curry et al.	
2017/0008001	A1	1/2017	Motadel	
2019/0009277	A1	1/2019	Kofler	
2019/0299217	A1	10/2019	Motadel et al.	

FOREIGN PATENT DOCUMENTS

JP	61-074652	4/1986	
JP	01-065647	4/1989	
JP	3005123	12/1994	
JP	2007-525647	9/2007	
JP	D2010-22389	* 9/2010	
JP	2011-227076	11/2011	
JP	2014-081096	5/2014	
WO	WO 2004/098764	11/2004	
WO	WO 2008/107961	9/2008	
WO	WO 2010/008737	1/2010	
WO	WO 2010/054337	5/2010	
WO	WO 2016/094553	6/2016	
WO	WO 2019/190864	A1 10/2019	

OTHER PUBLICATIONS

Filtered Pipet Tips 1-100 ul Sterilized Microfilter Tip. Online, published date unknown. Retrieved on Sep. 8, 2020 from URL: <https://crystalgen.com/filtered-pipet-tips-1-100-ul-sterilized-microfilter-tip.html>.*

International Search Report and Written Opinion dated May 28, 2019 for International Application No. PCT/US2019/023221, filed on Mar. 20, 2019.

Office action dated Jul. 23, 2019 in U.S. Appl. No. 29/642,485, filed Mar. 29, 2018.

Pipette Tips. Online, published date unknown. Retrieved on Mar. 20, 2019 from URL: <https://www.labproservices.com/2-200ul-micropette-universal-sterile-tips-clear-color-rack-10-x-96-960.html>.

2-200ul MicroPette Universal Sterile Filtered Tips. Online, published date unknown. Retrieved on Mar. 20, 2019 from URL: <https://www.labproservices.com/2-200ul-micropette-universal-sterile-tips-clear-color-rack-10-x-96-960.html>.

"Office Action dated Feb. 26, 2020 in U.S. Appl. No. 29/642,485, filed Mar. 29, 2018", 7 pages.

International Preliminary Report on Patentability dated Oct. 8, 2020 in International Patent Application No. PCT/US2019/023221, filed on Mar. 20, 2019, 7 pages.

Office Action dated Sep. 3, 2020 in U.S. Appl. No. 16/359,759, filed Mar. 20, 2019 and published as US-2019-0299217-A1 on Oct. 3, 2019, 10 pages.

Office Action dated Feb. 12, 2021 in U.S. Appl. No. 16/359,759, filed on Mar. 20, 2019 and published as US-2019-0299217-A1 on Oct. 3, 2019, 4 pages.

Office Action dated Feb. 26, 2021 in U.S. Appl. No. 16/359,759, filed on Mar. 20, 2019 and published as US-2019-0299217-A1 on Oct. 3, 2019, 5 pages.

* cited by examiner

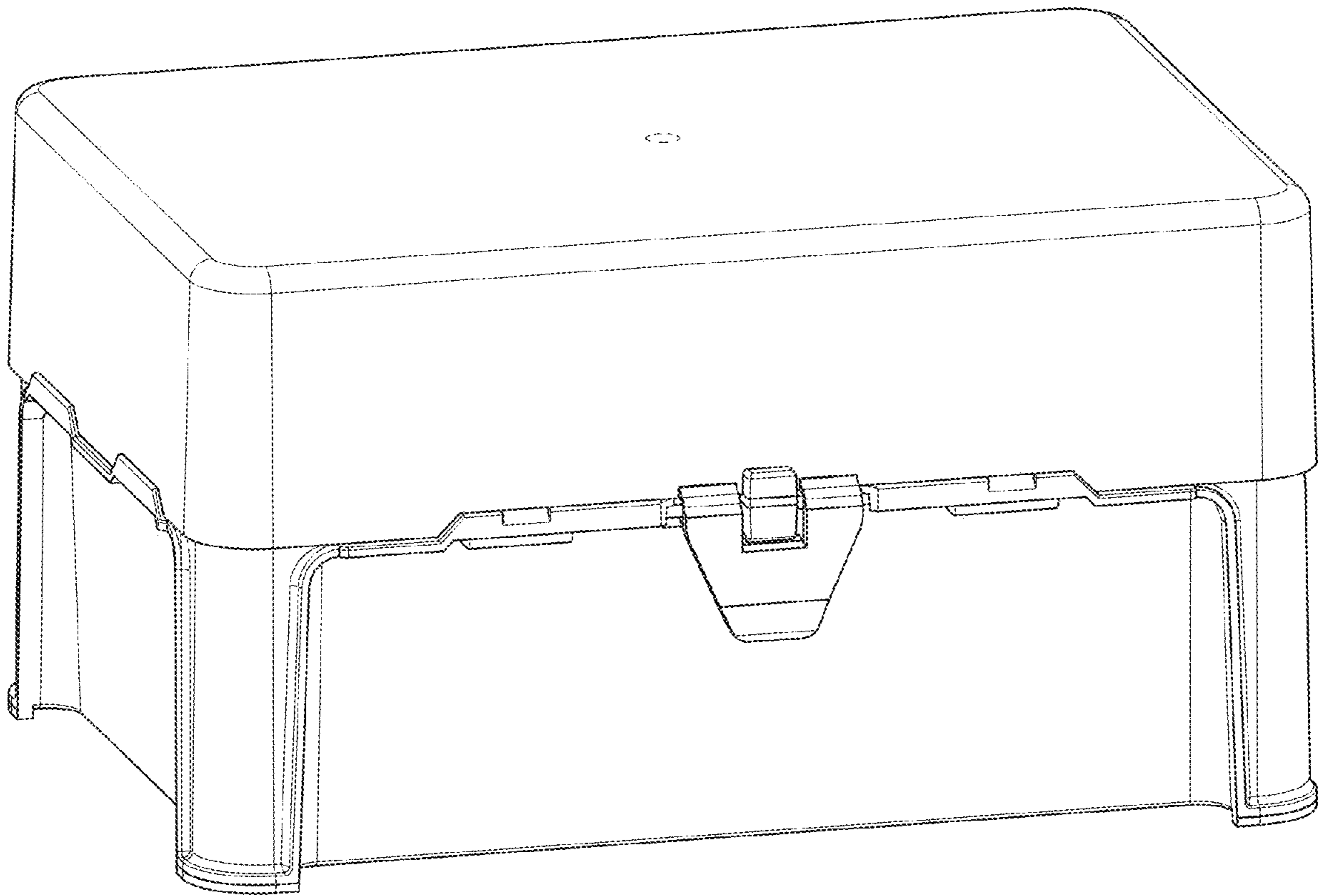


FIG. 1

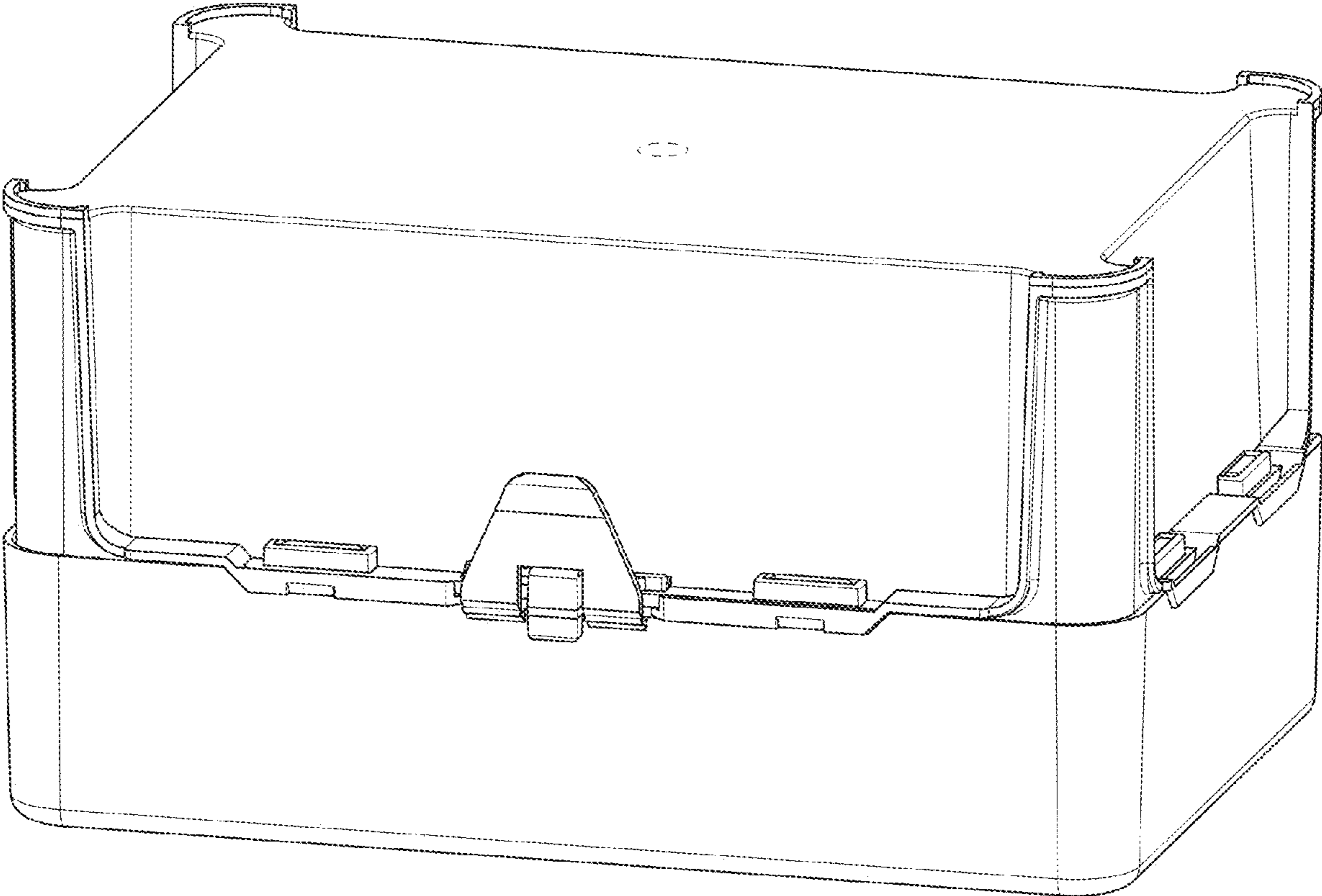


FIG. 2

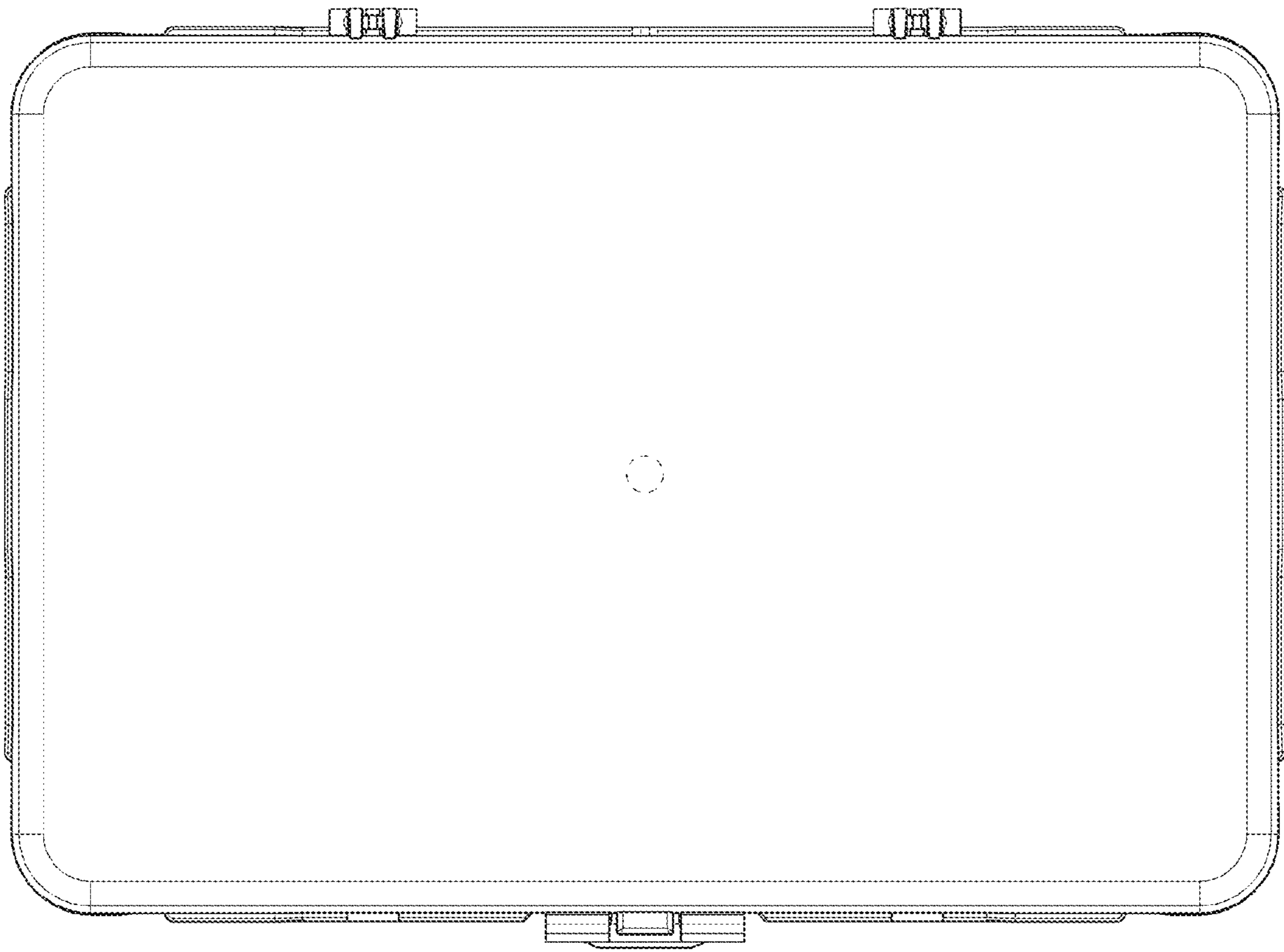


FIG. 3

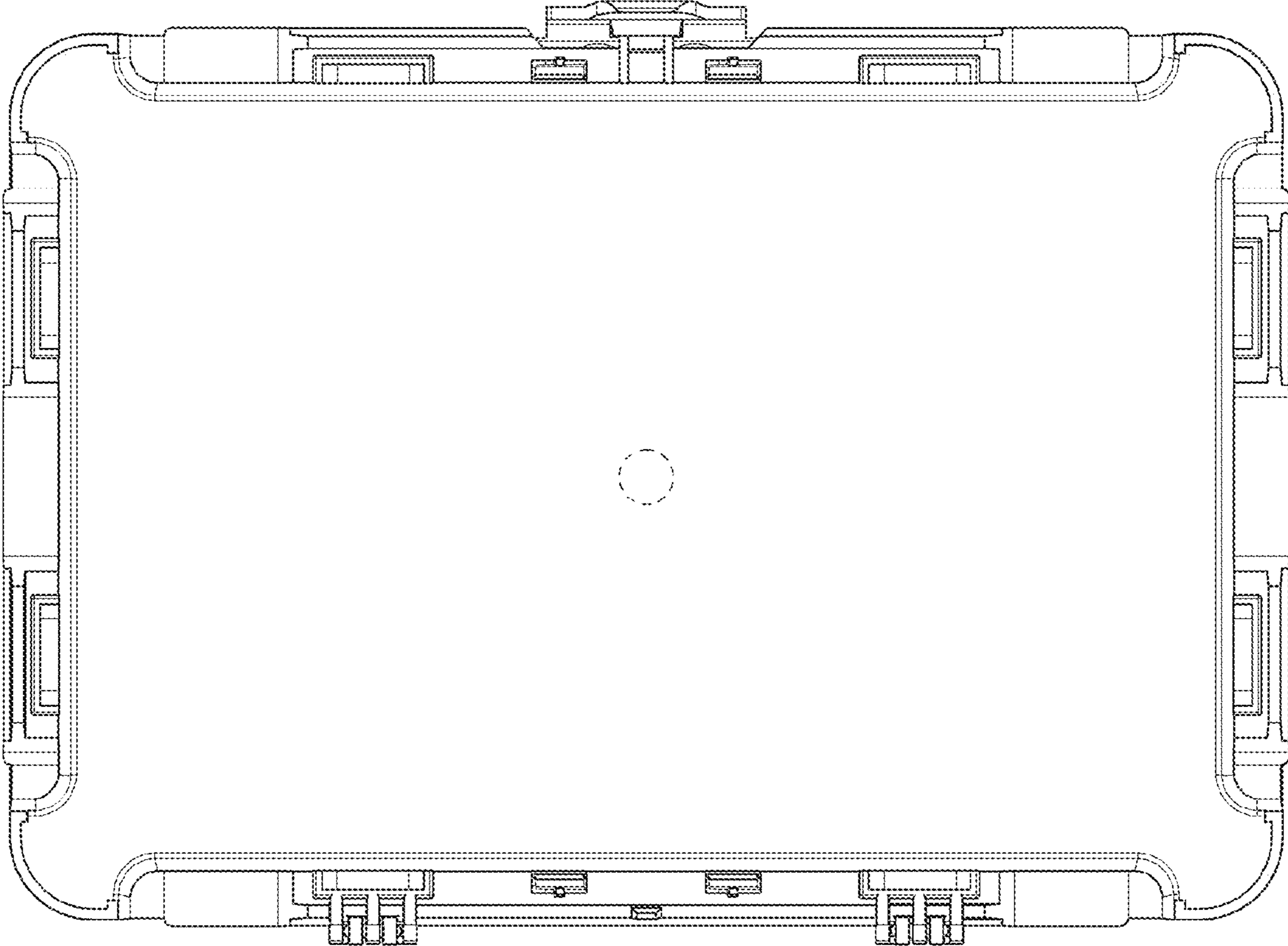


FIG. 4

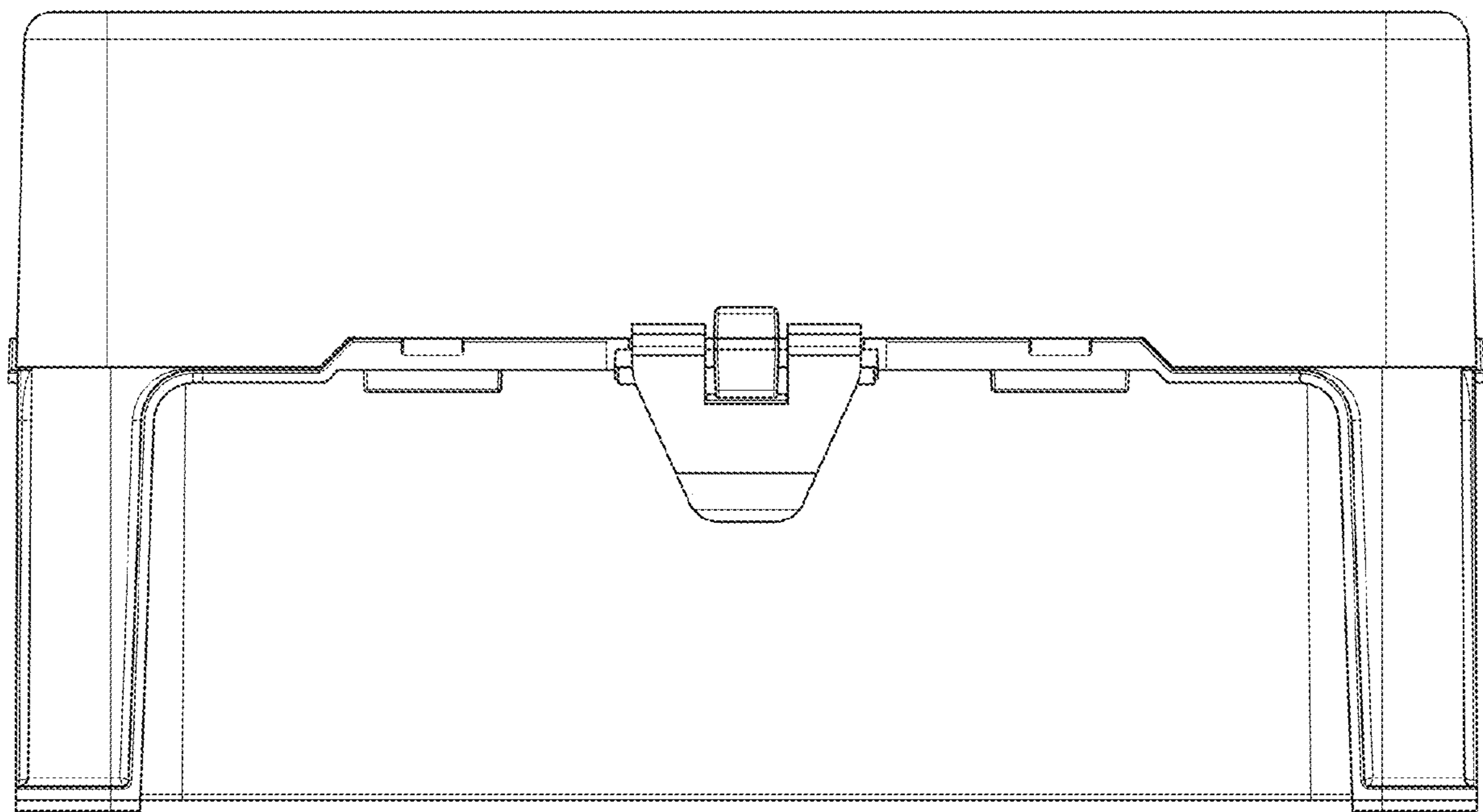


FIG. 5

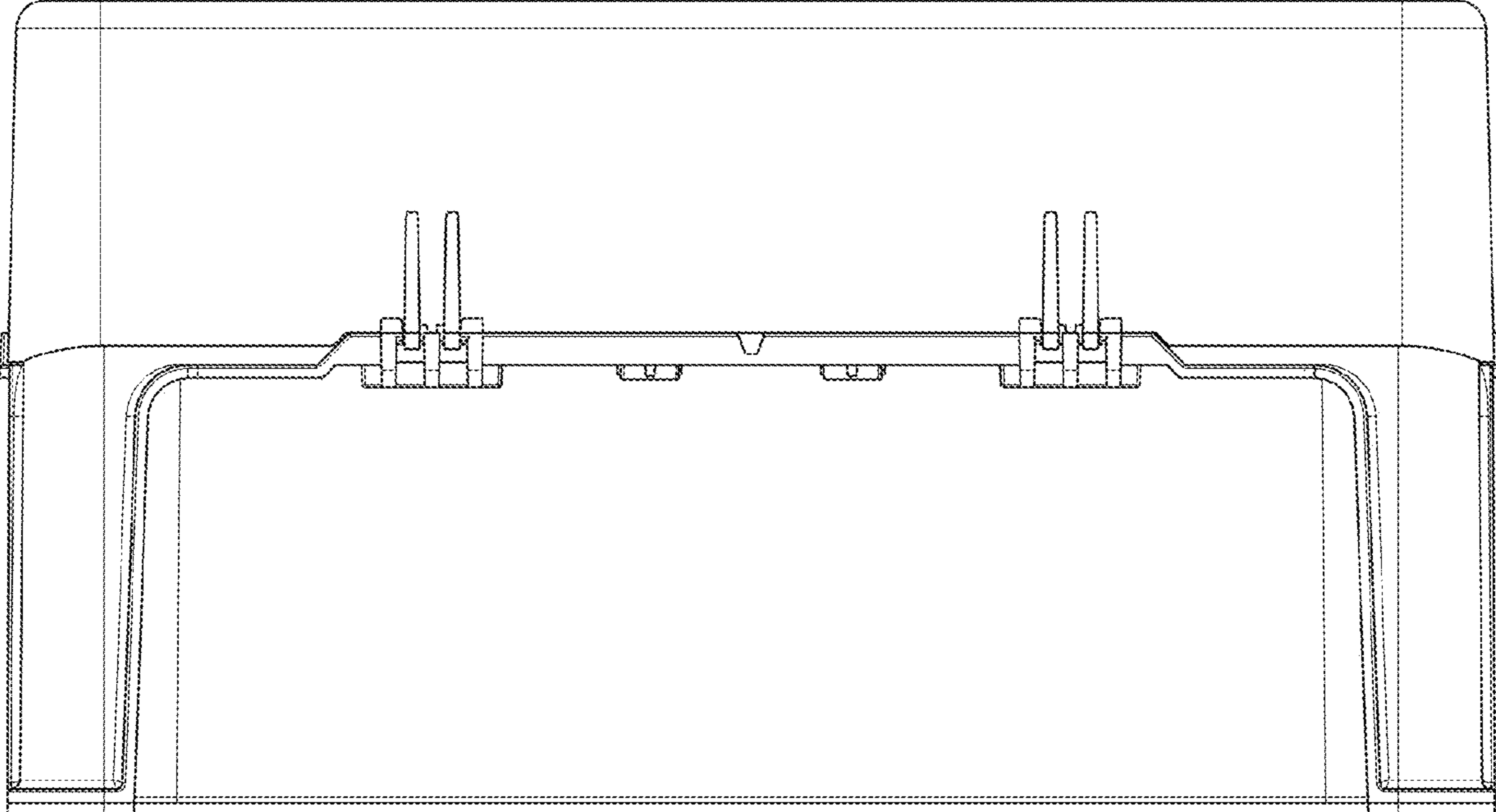


FIG. 6

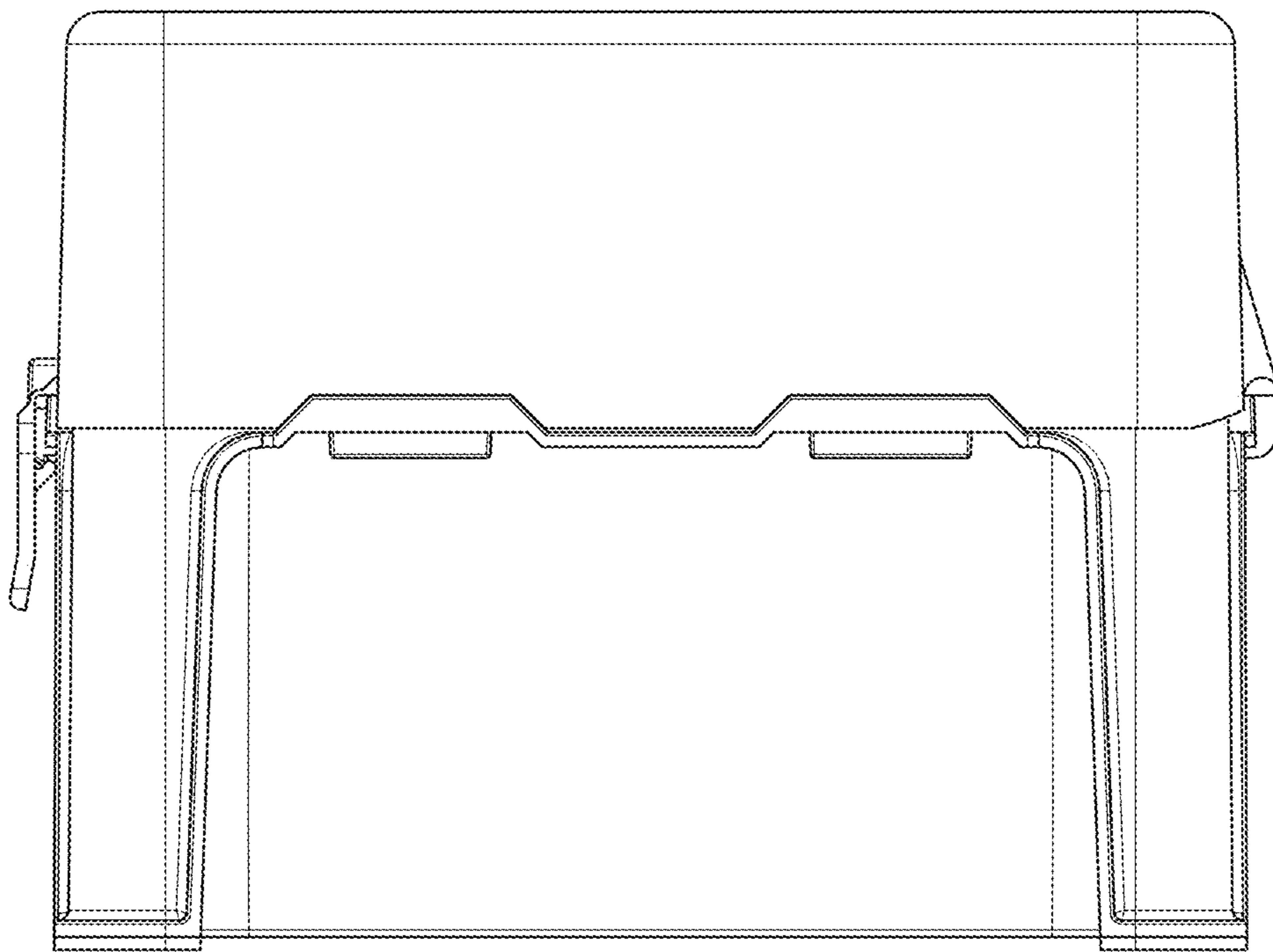


FIG. 7

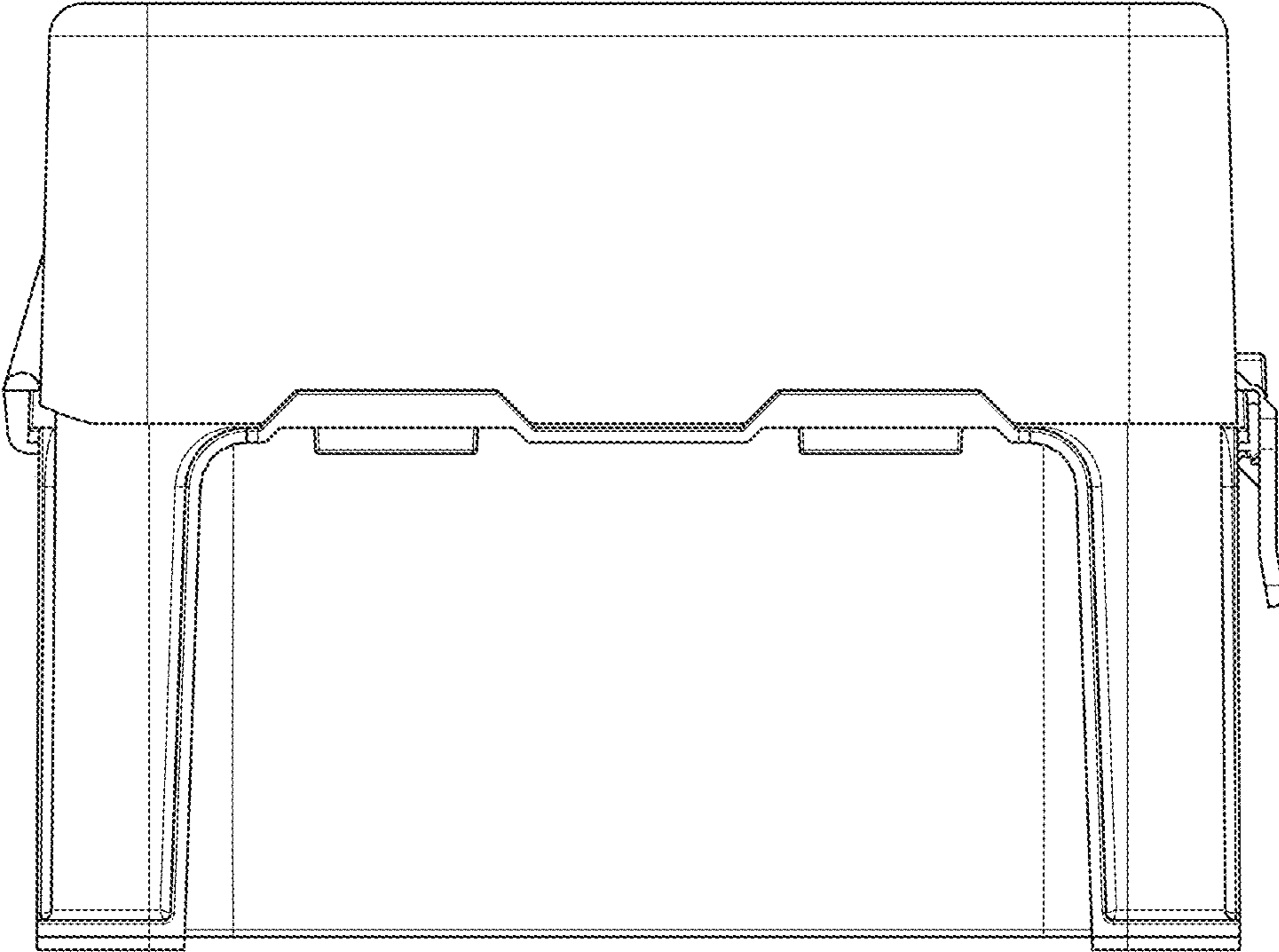


FIG. 8

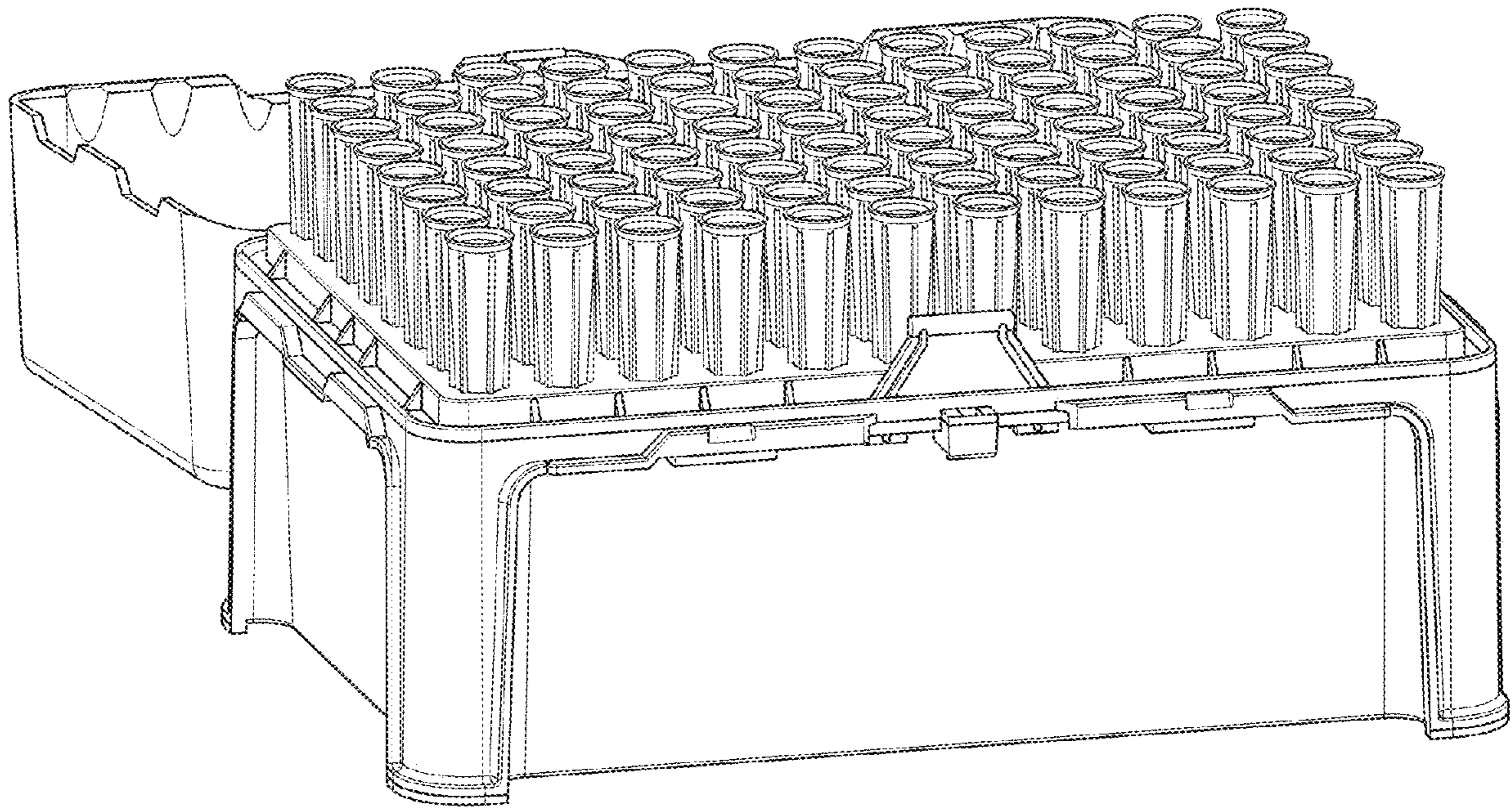


FIG. 9

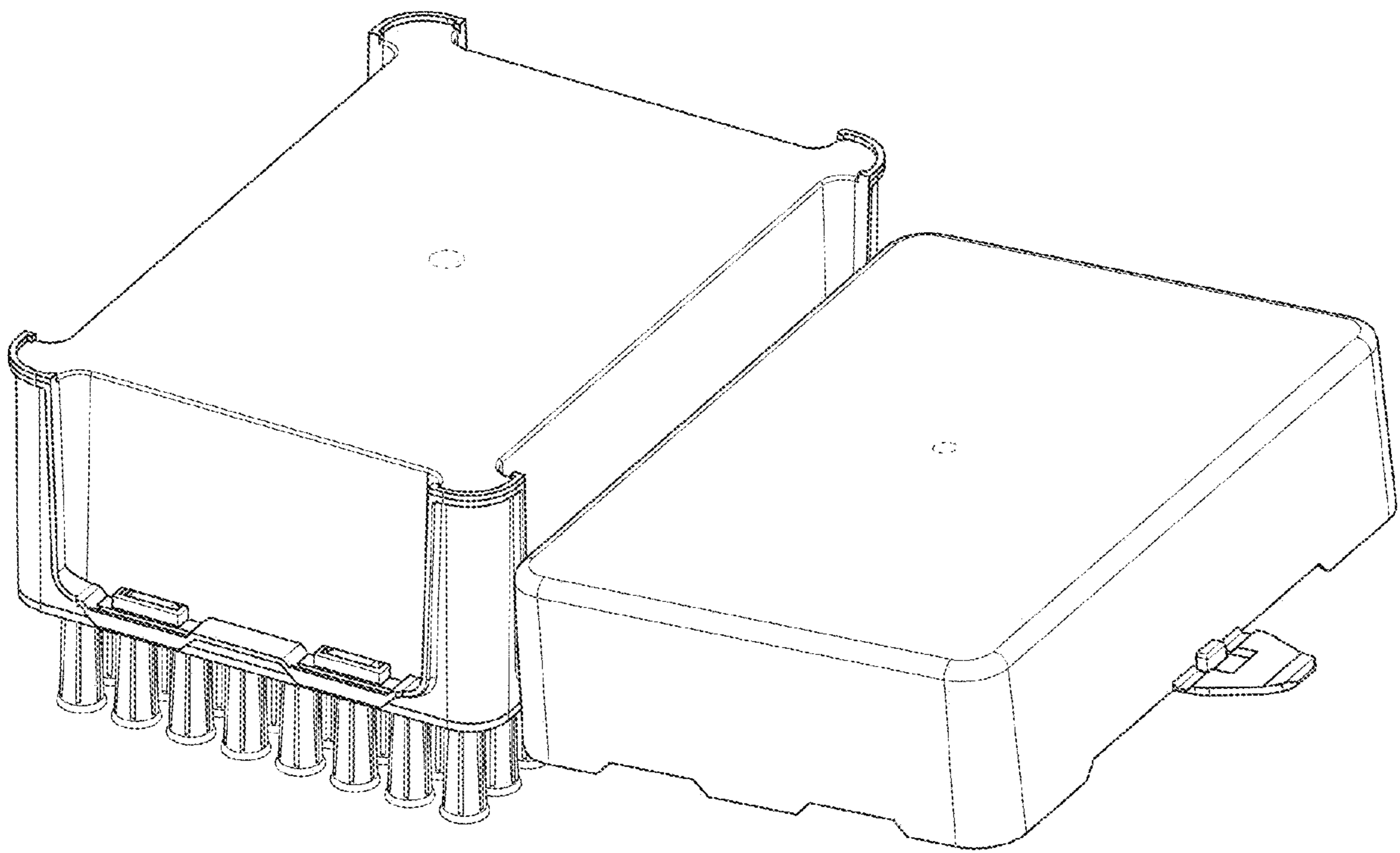


FIG. 10

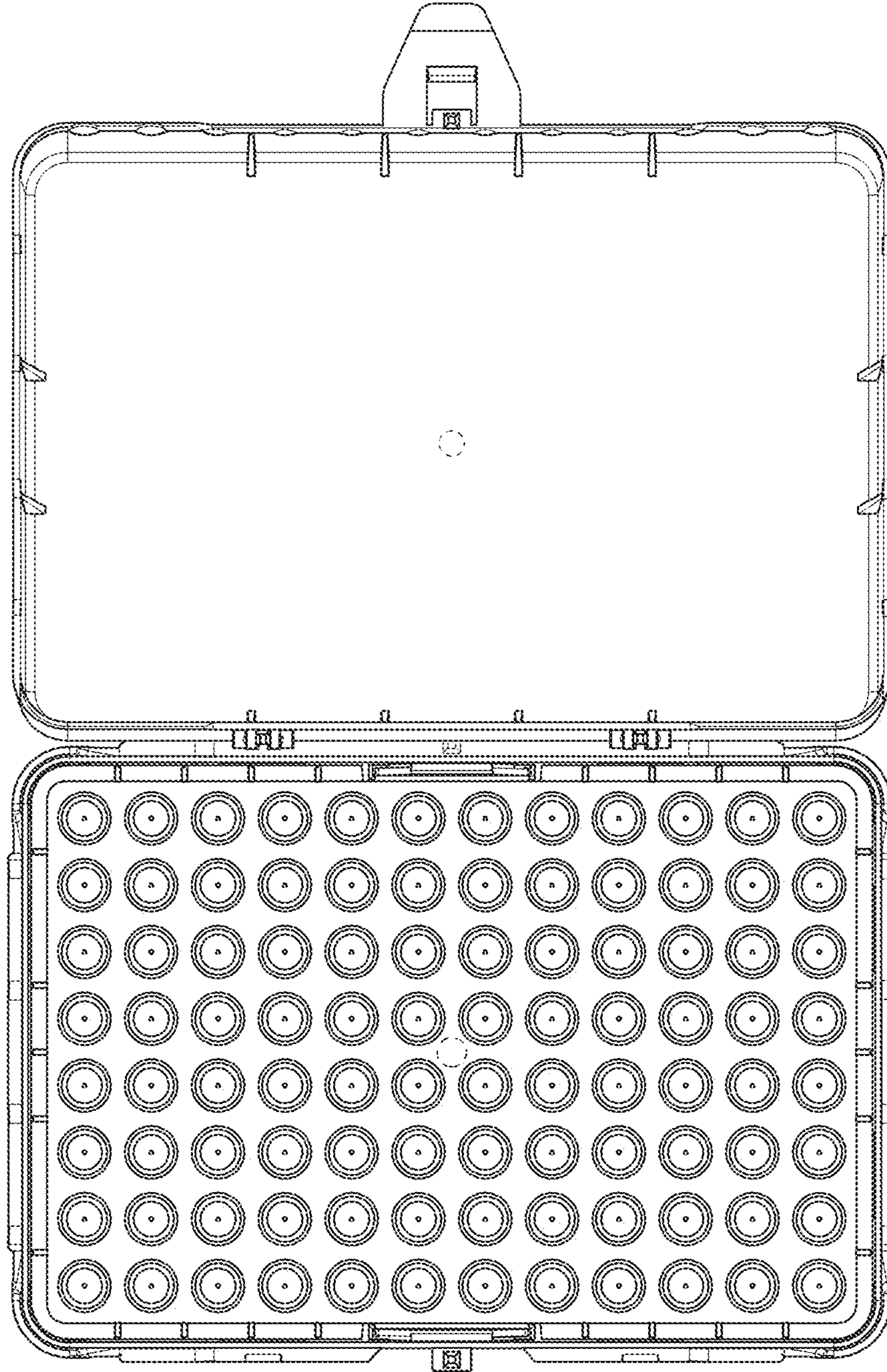


FIG. 11

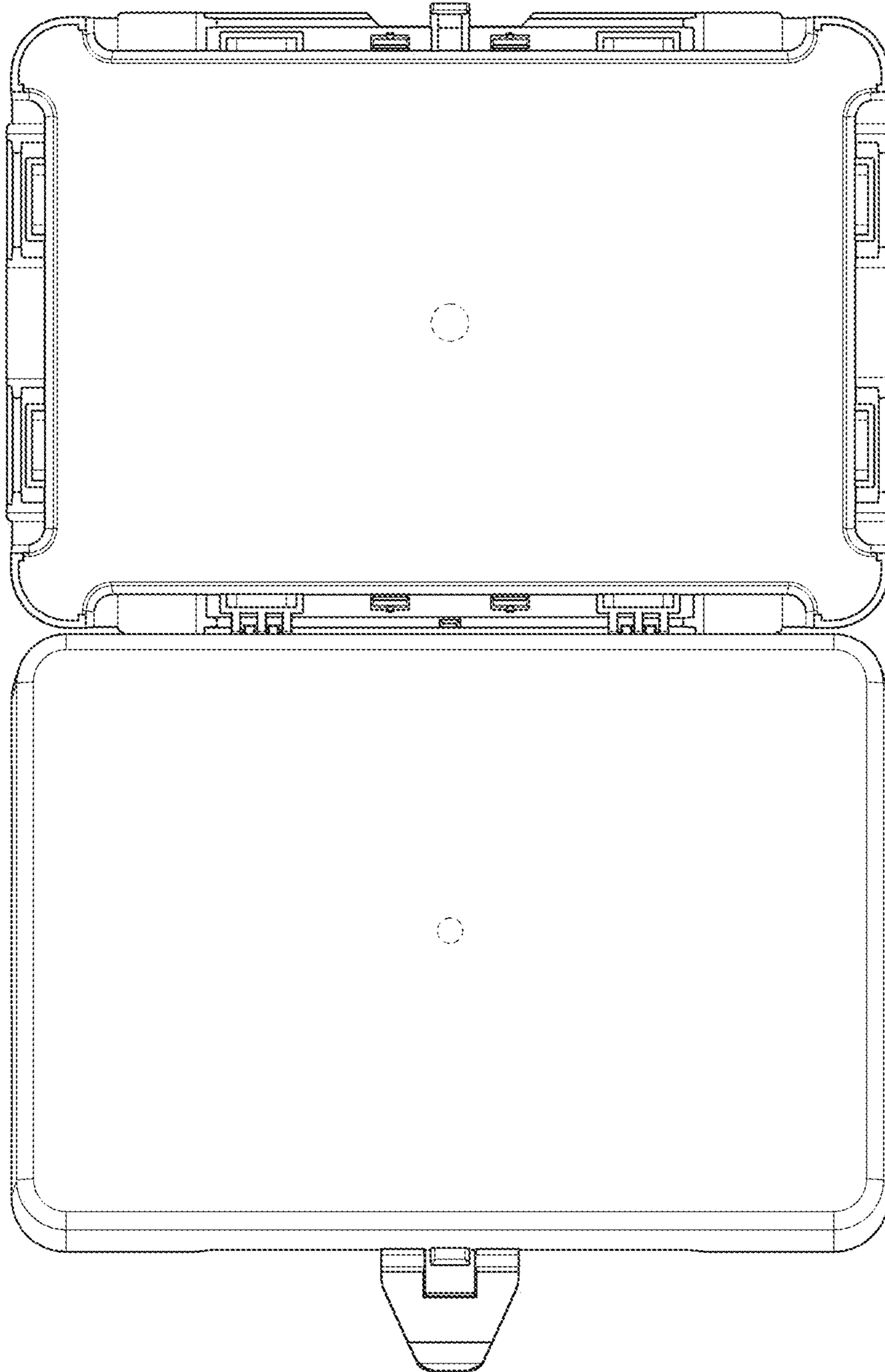


FIG. 12

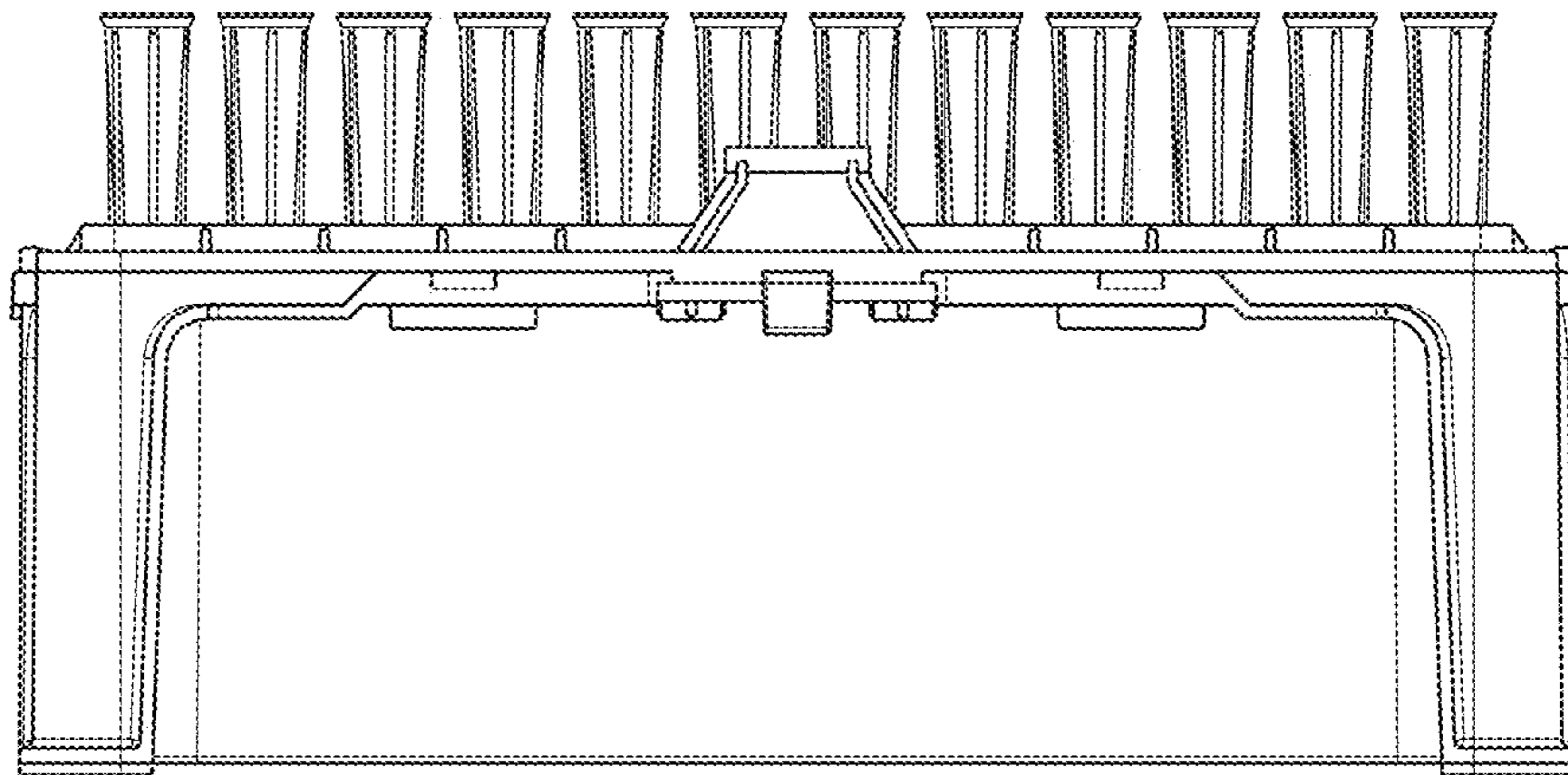


FIG. 13

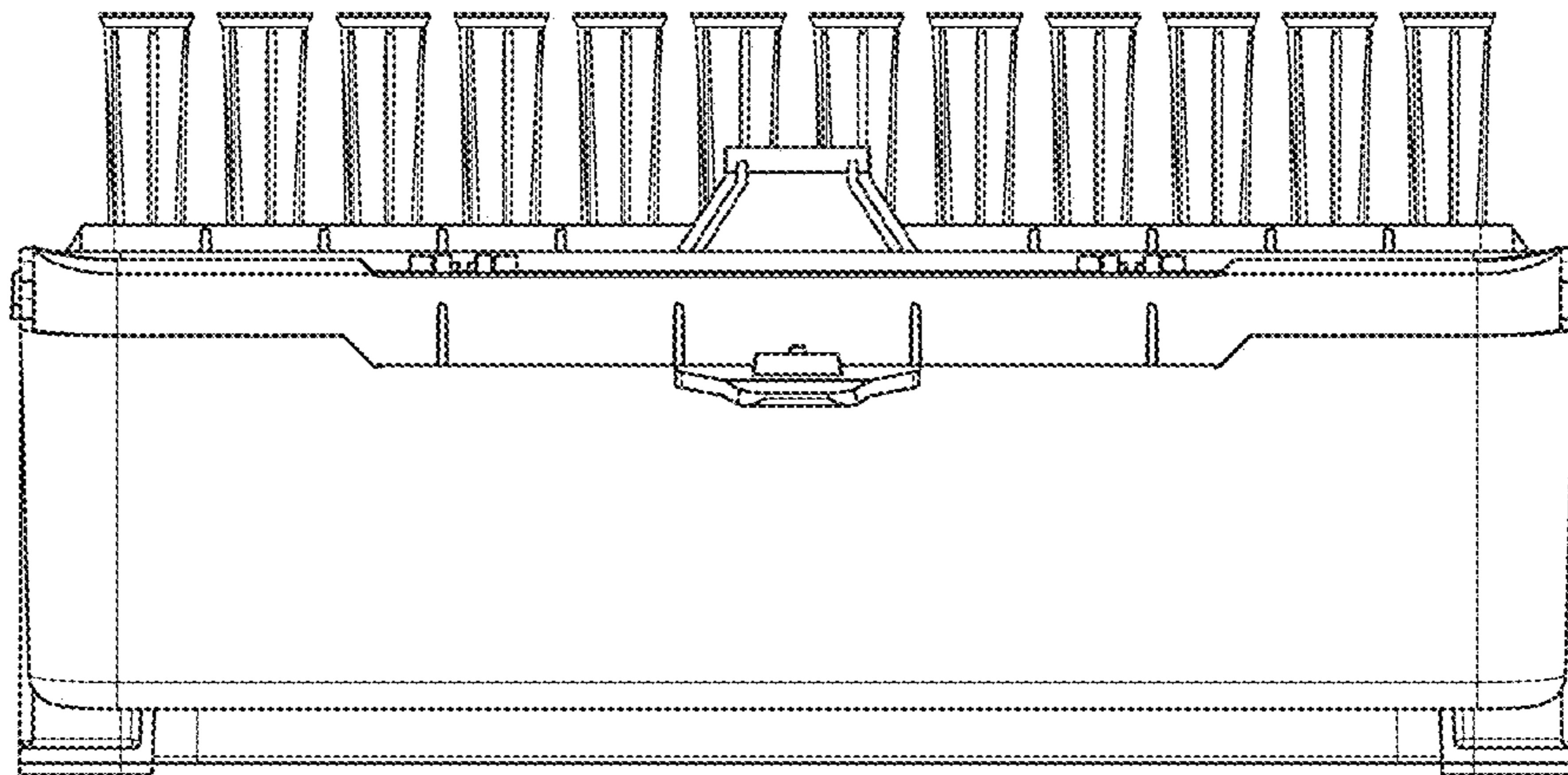


FIG. 14

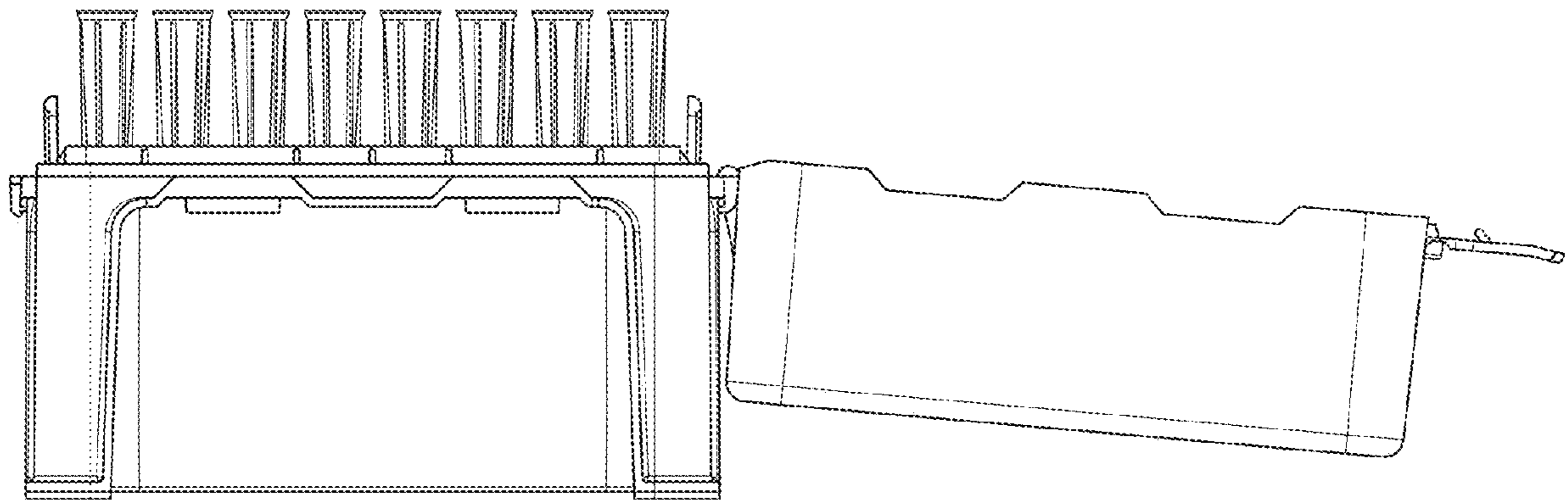


FIG. 15

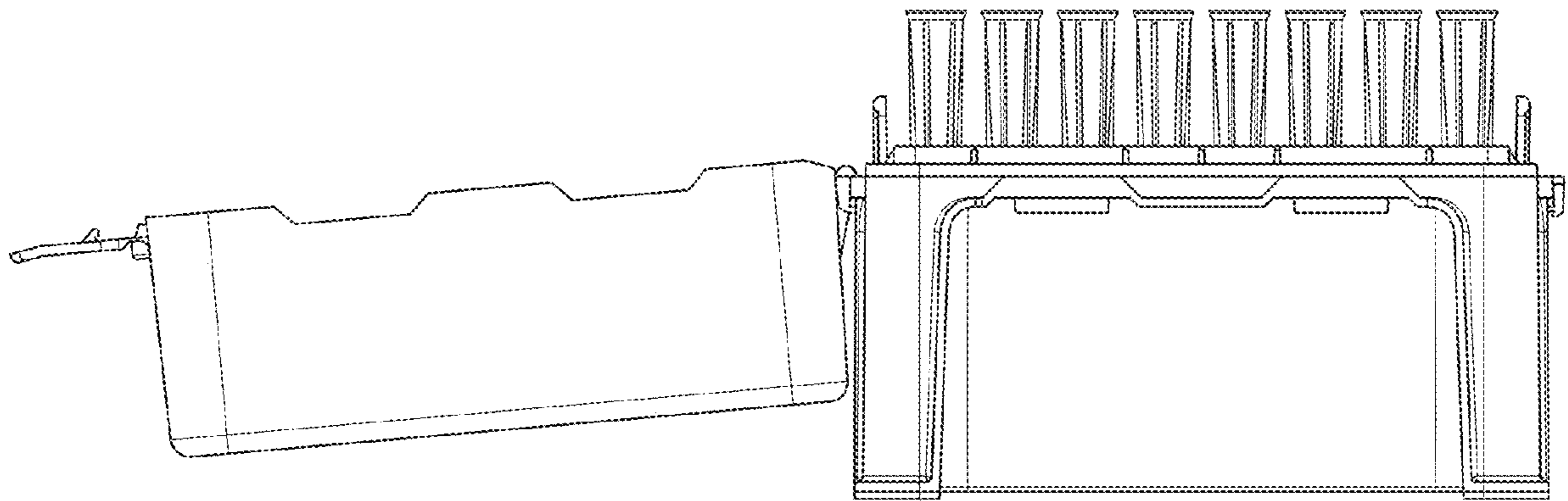


FIG. 16

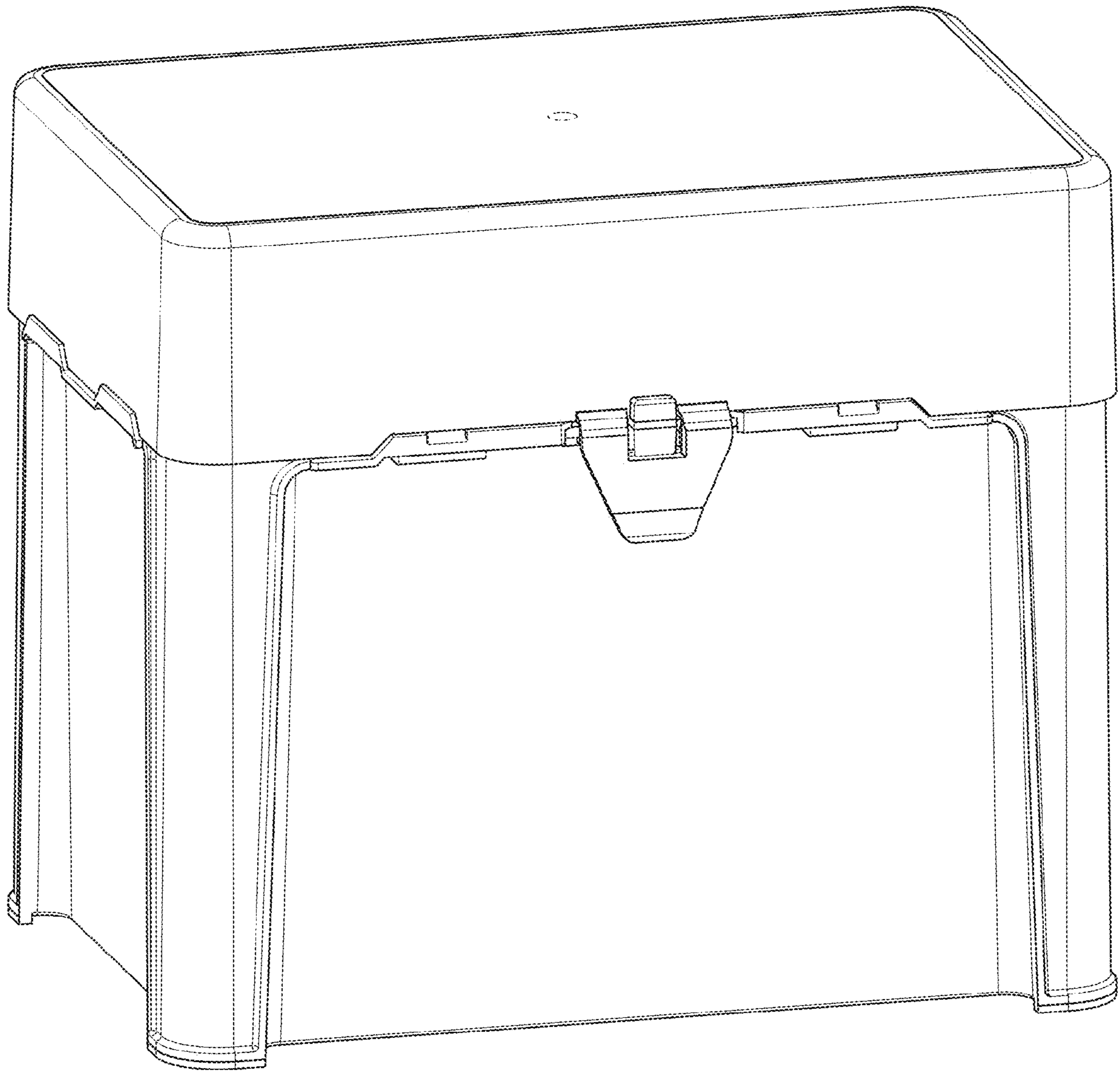


FIG. 17

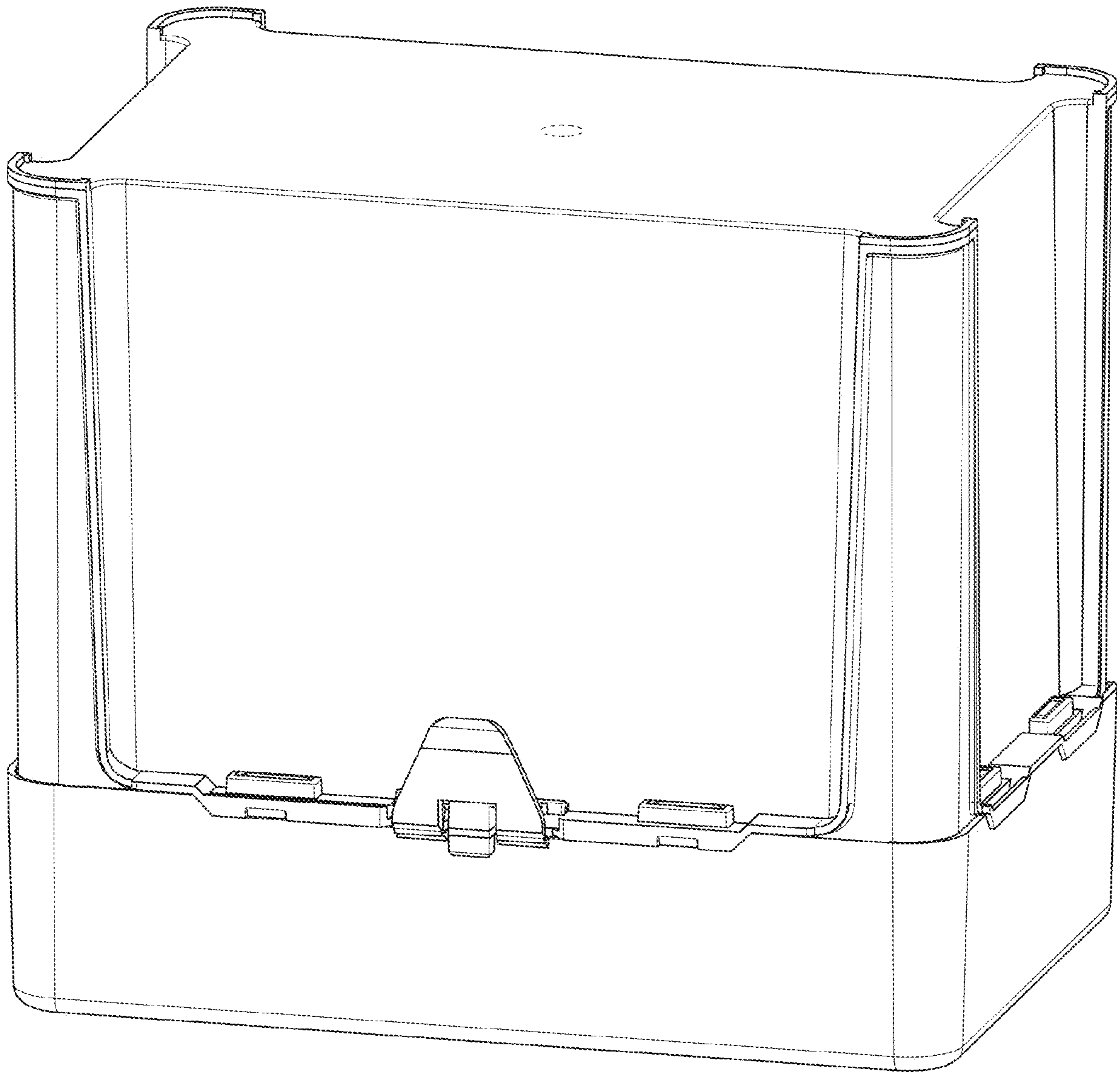


FIG. 18

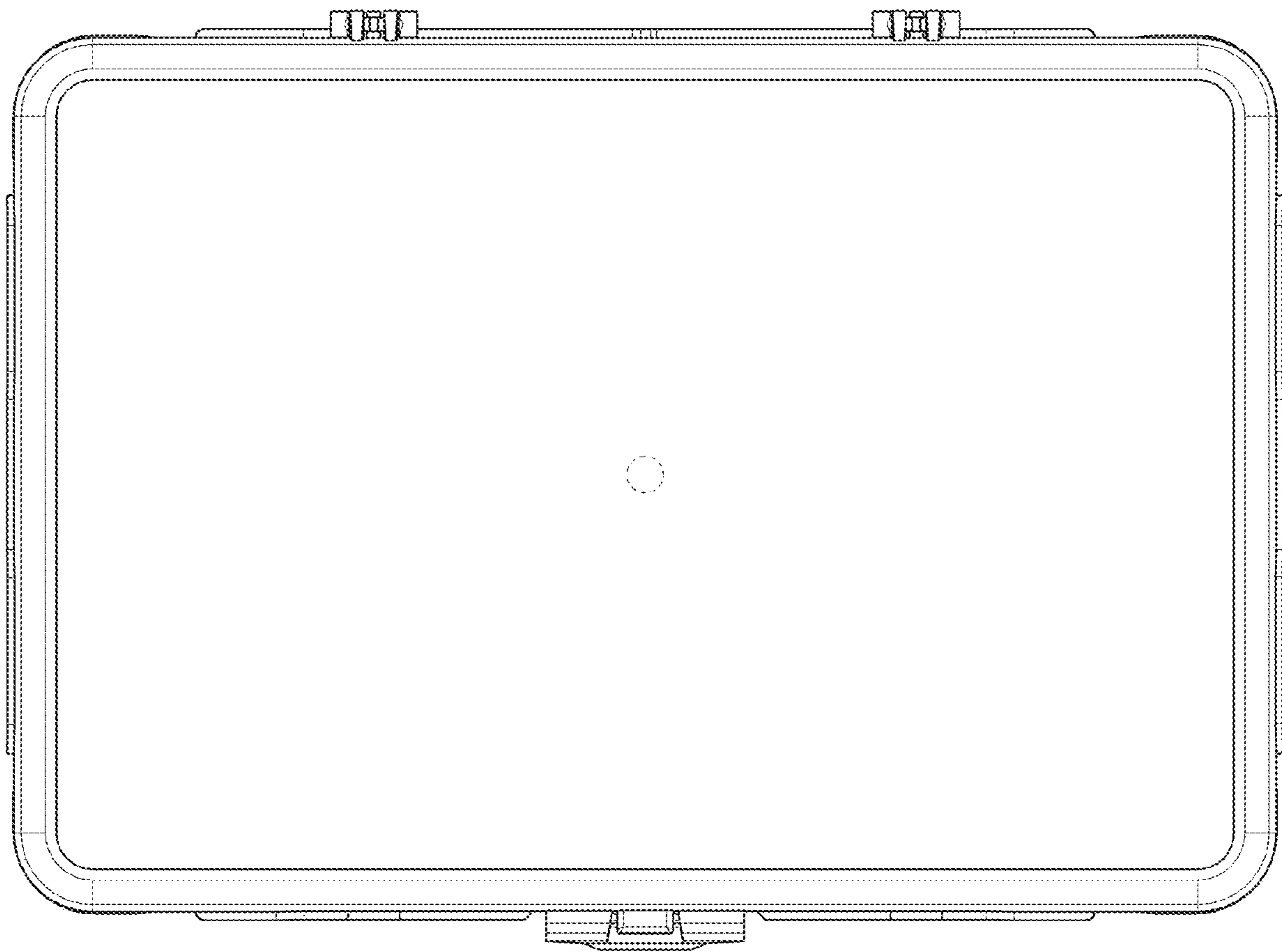


FIG. 19

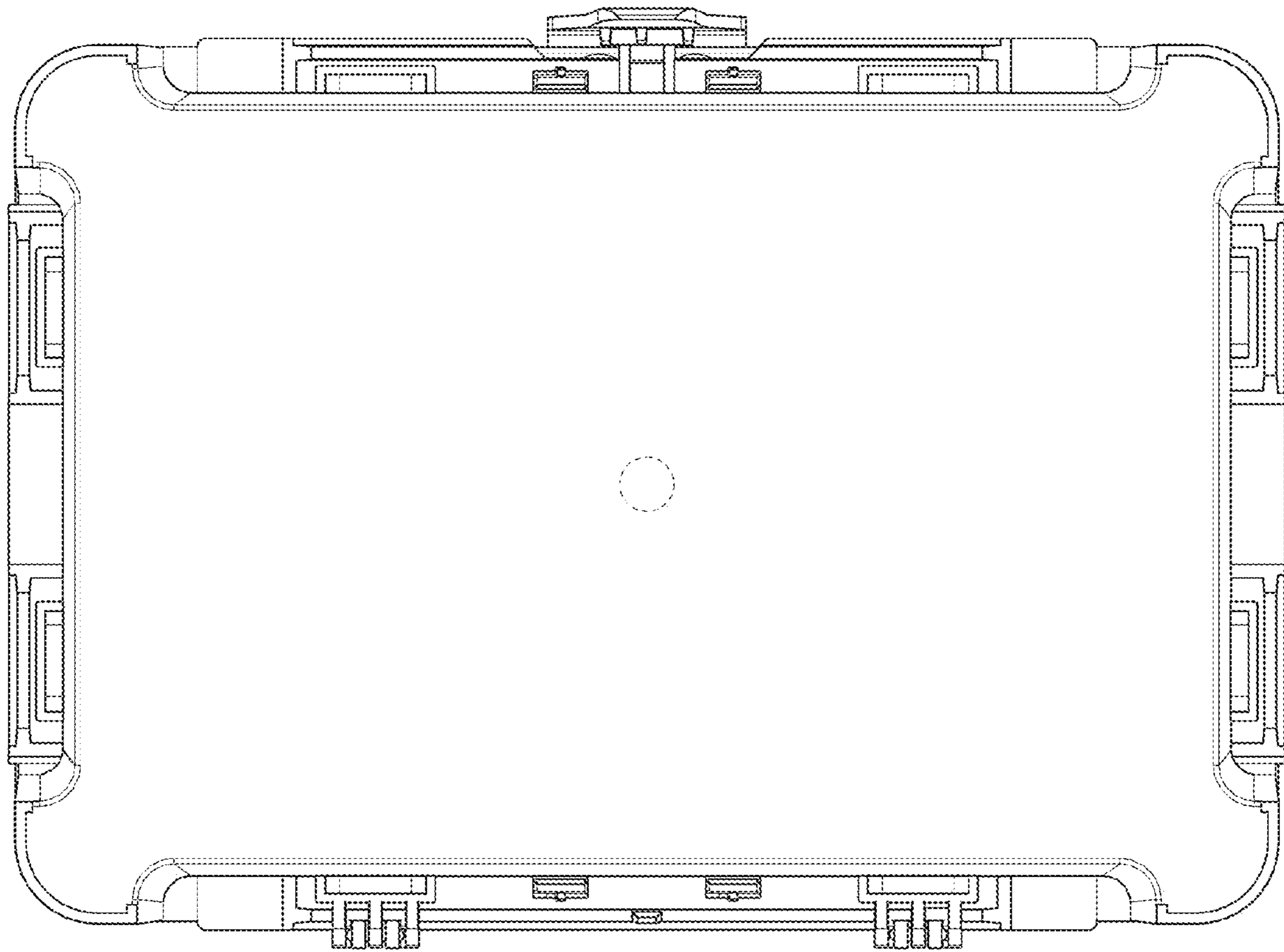


FIG. 20

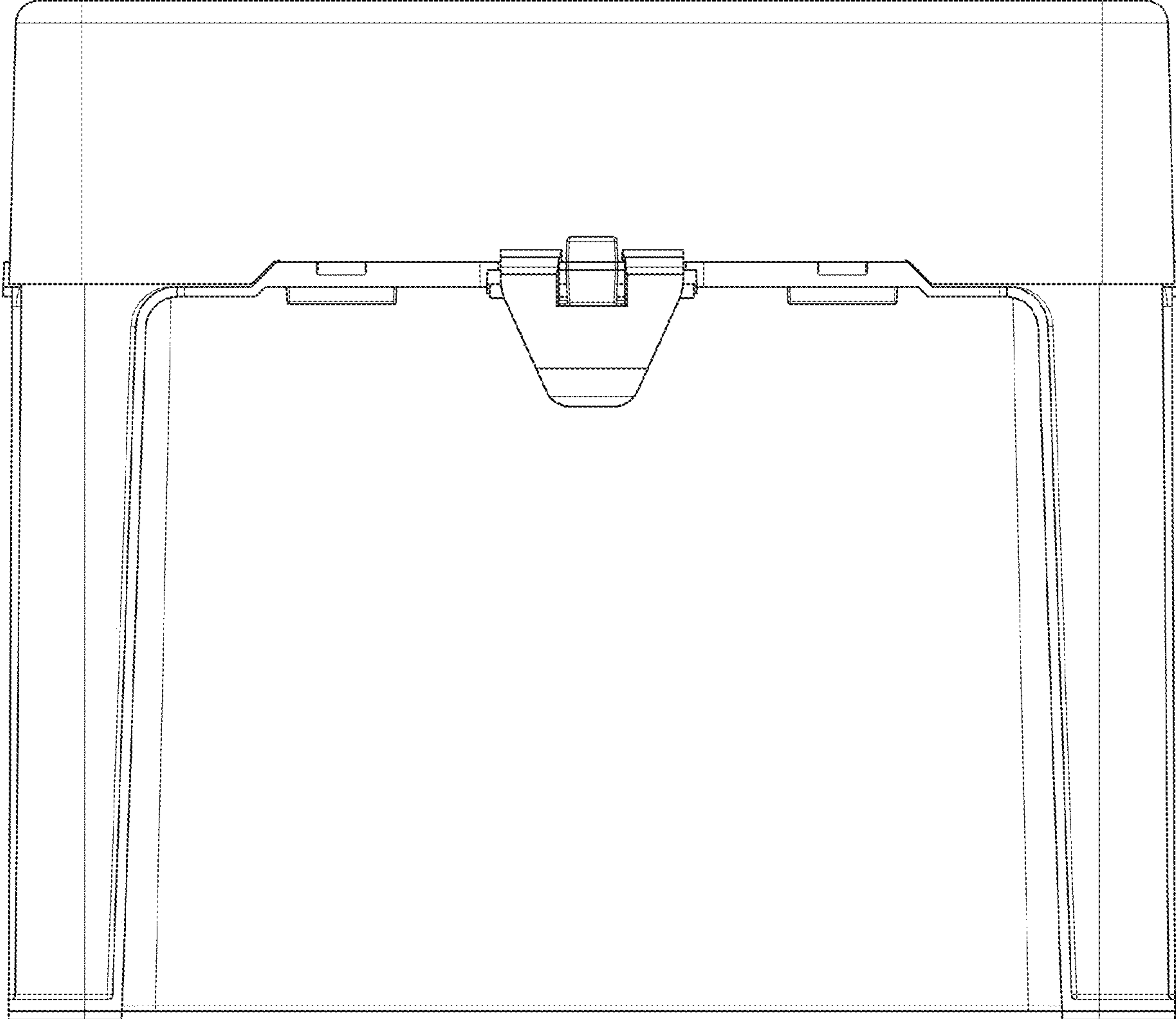


FIG. 21

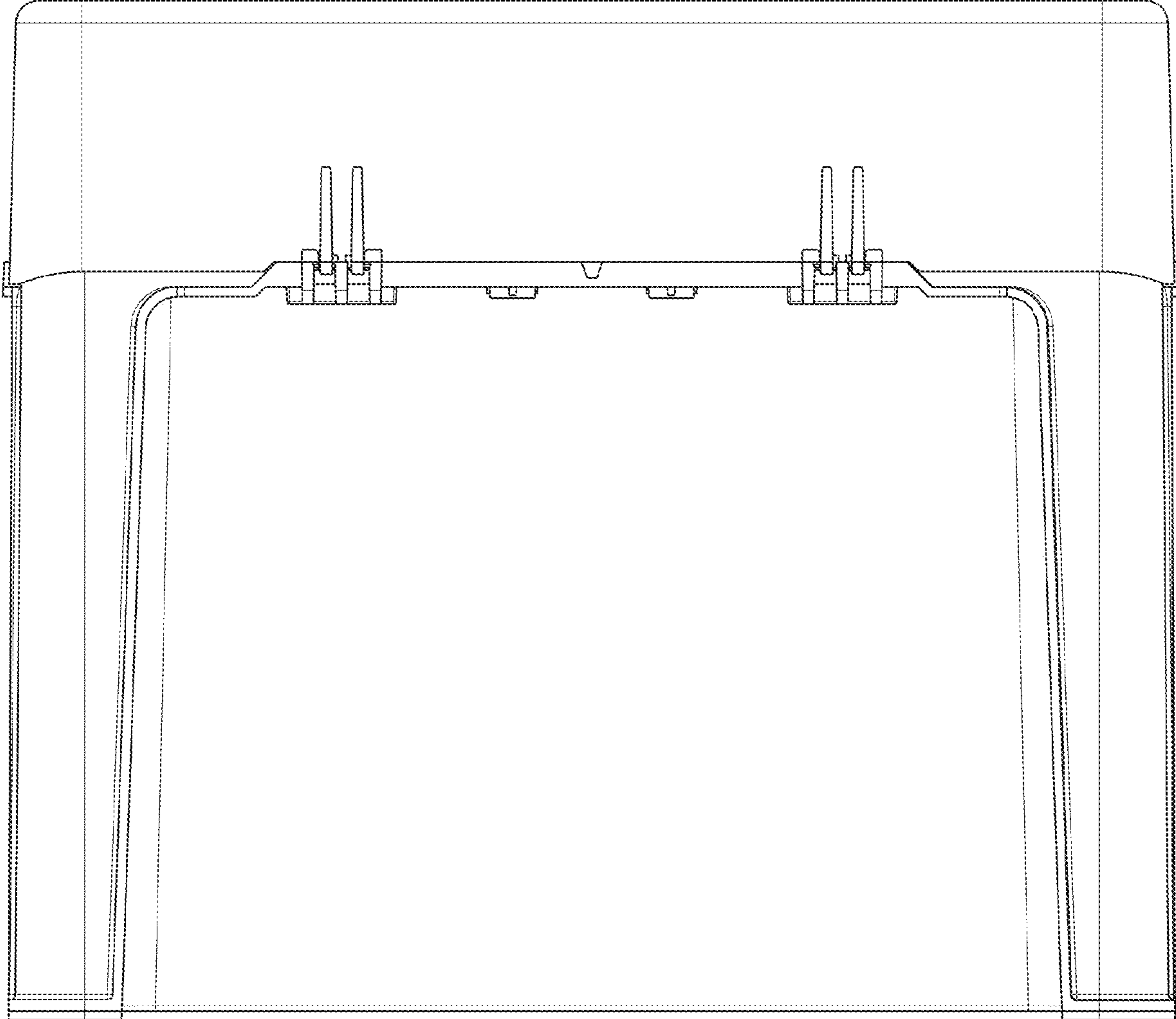


FIG. 22

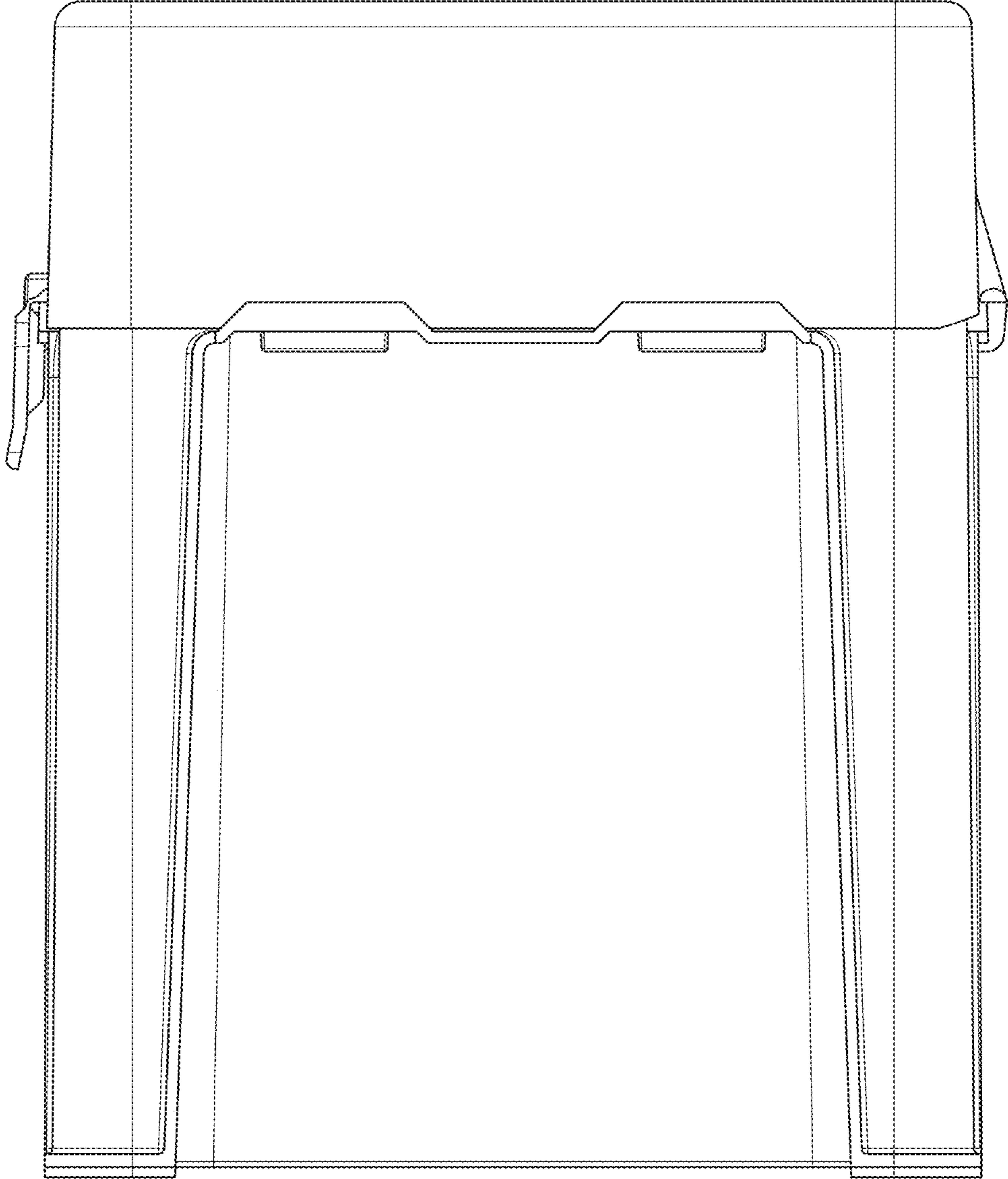


FIG. 23

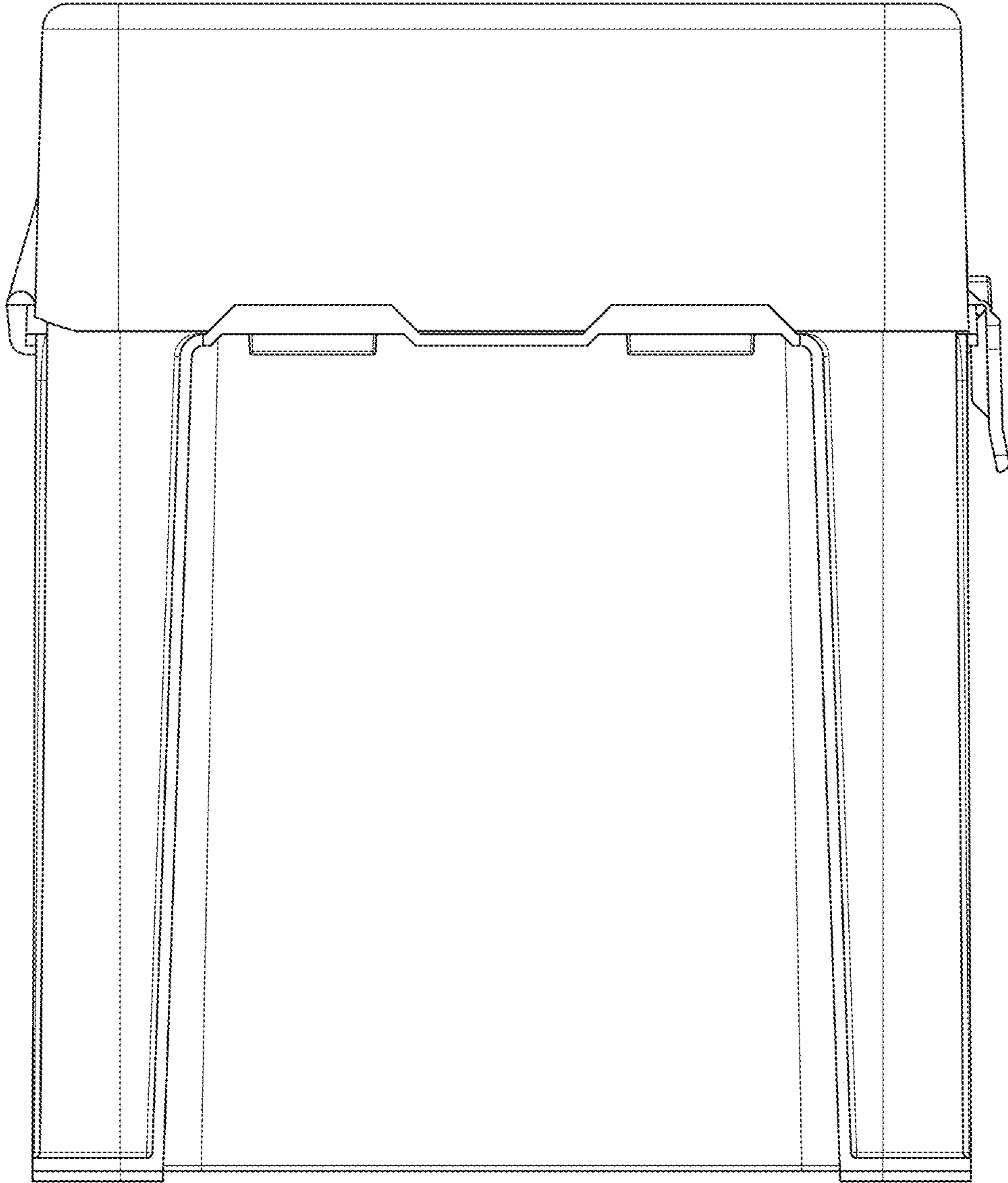


FIG. 24

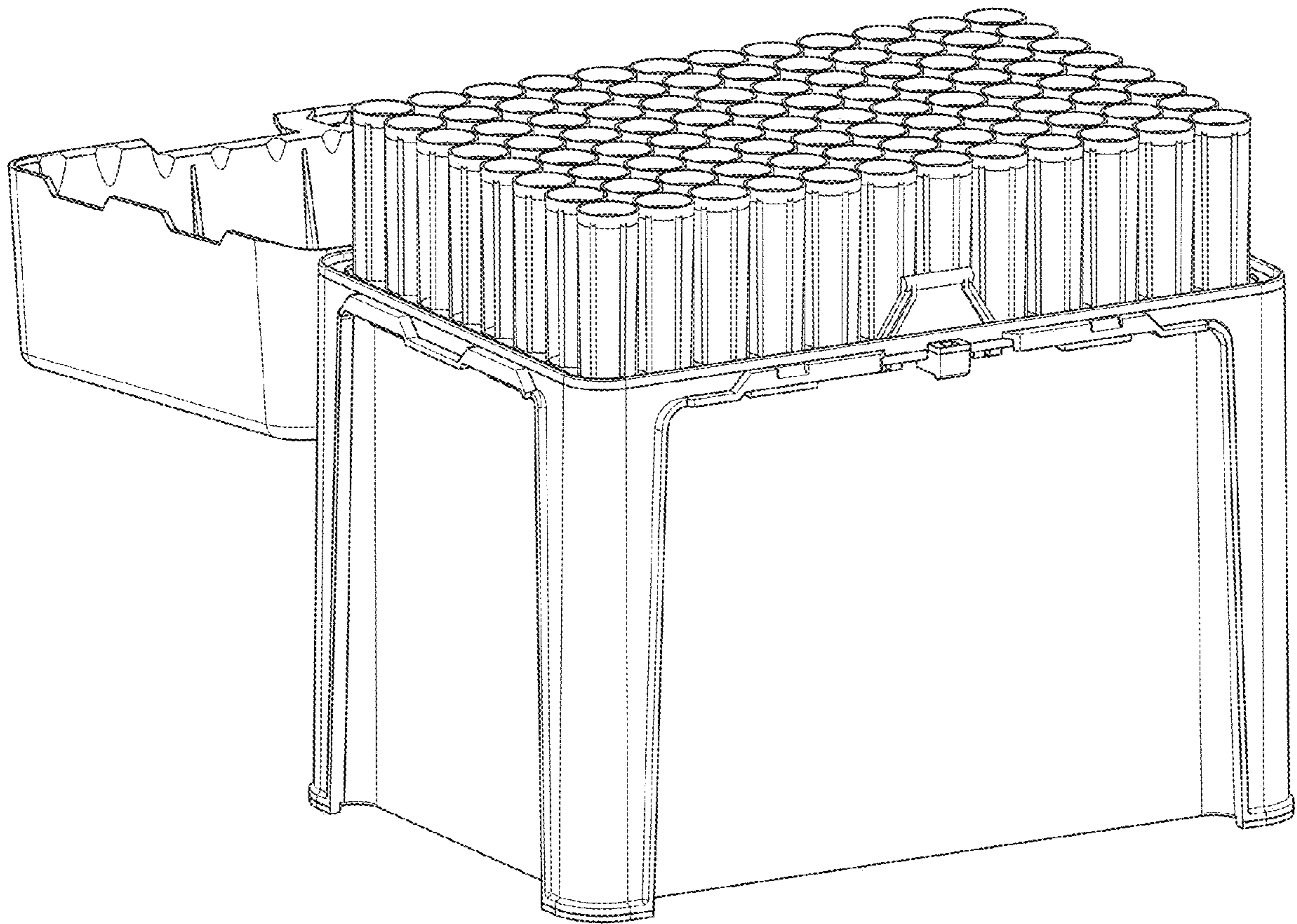


FIG. 25

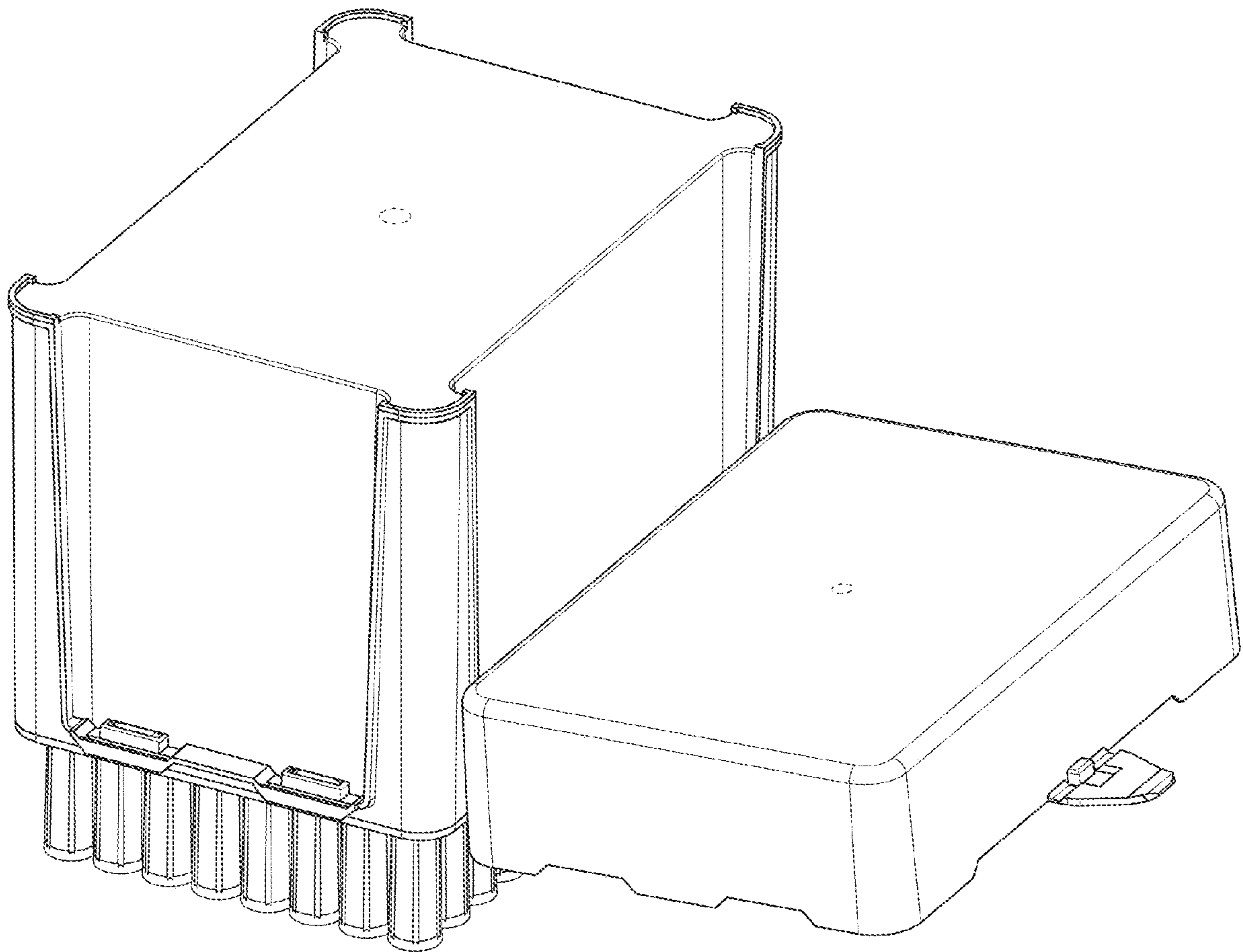


FIG. 26

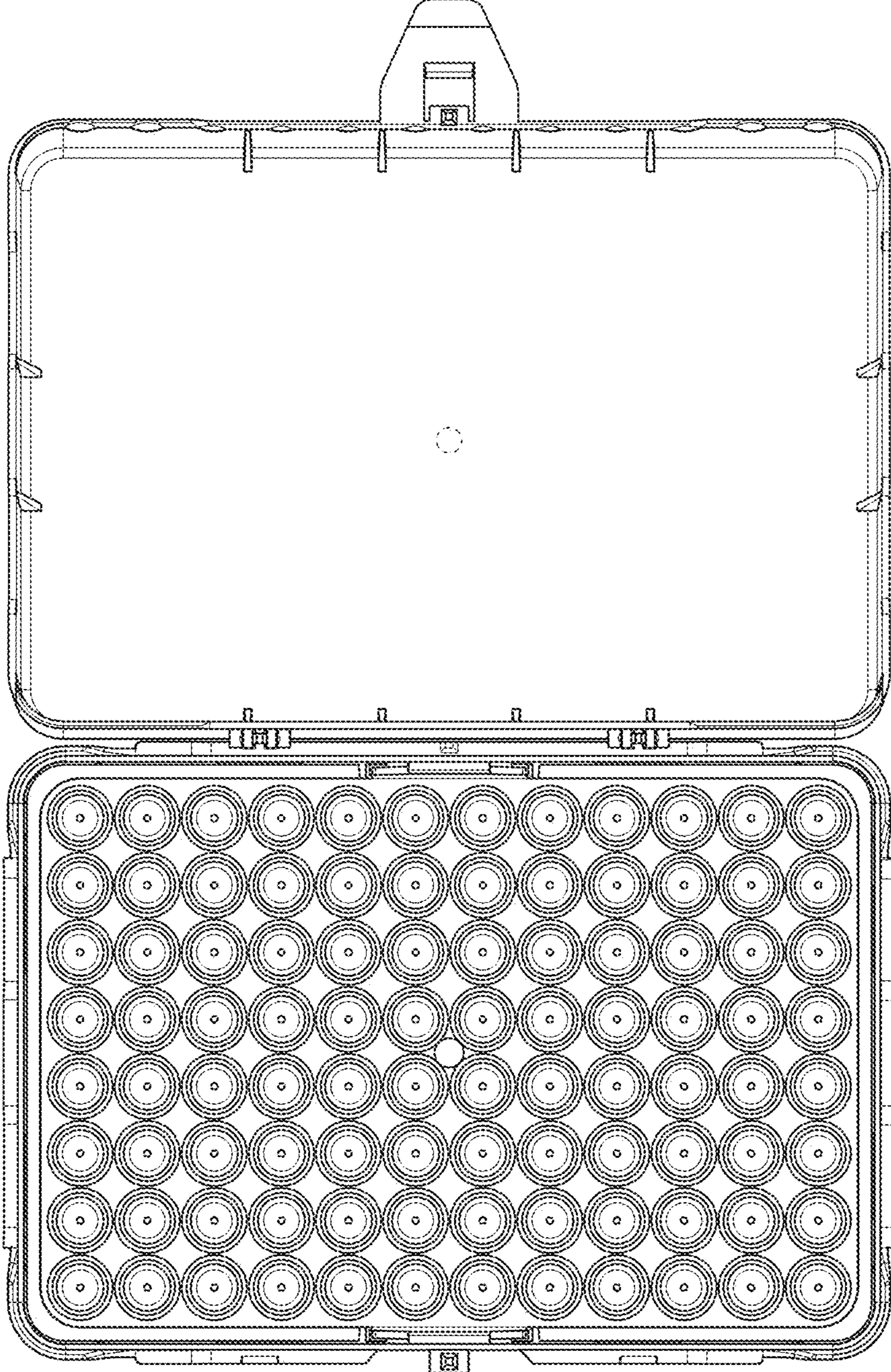


FIG. 27

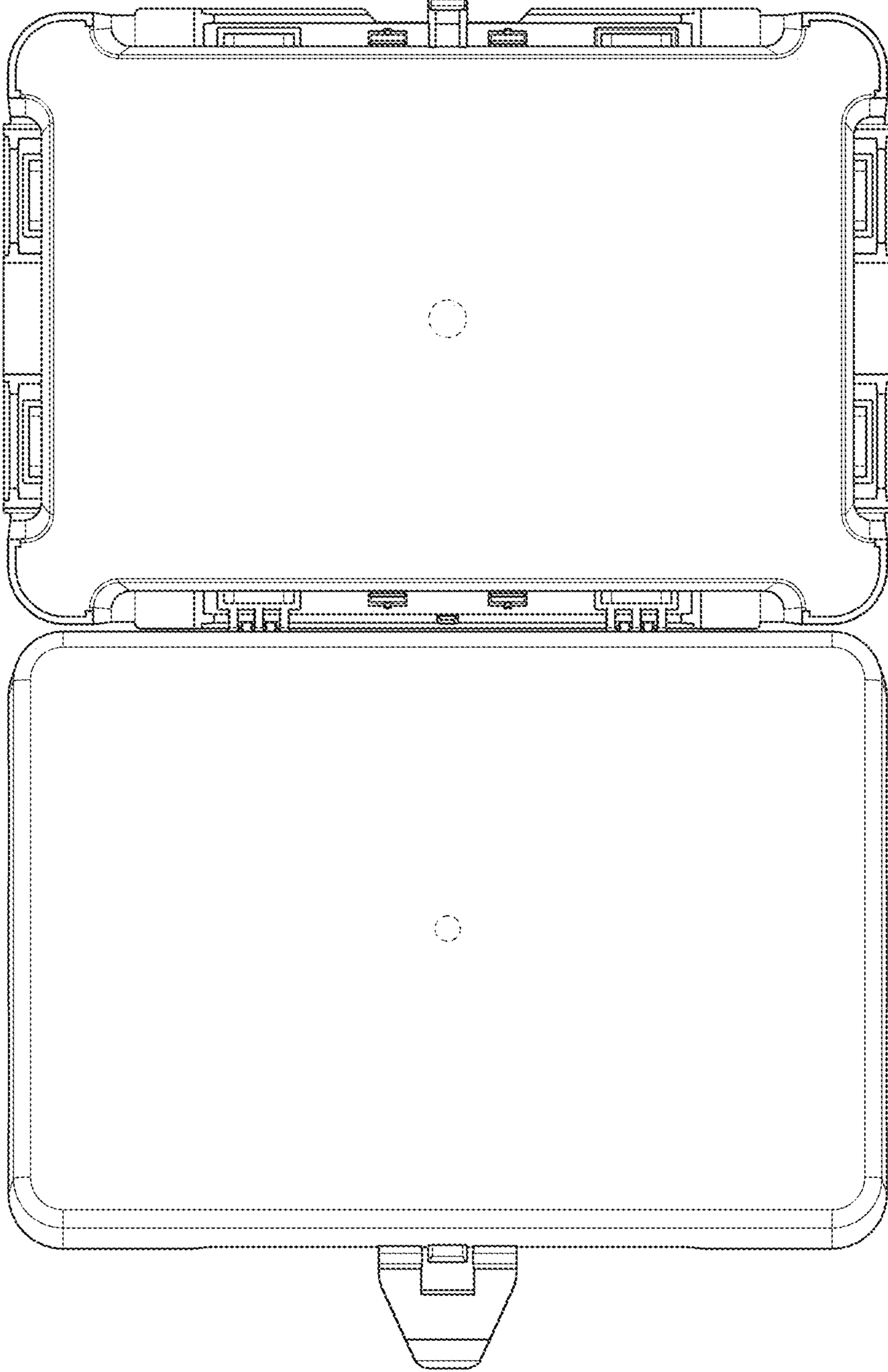


FIG. 28

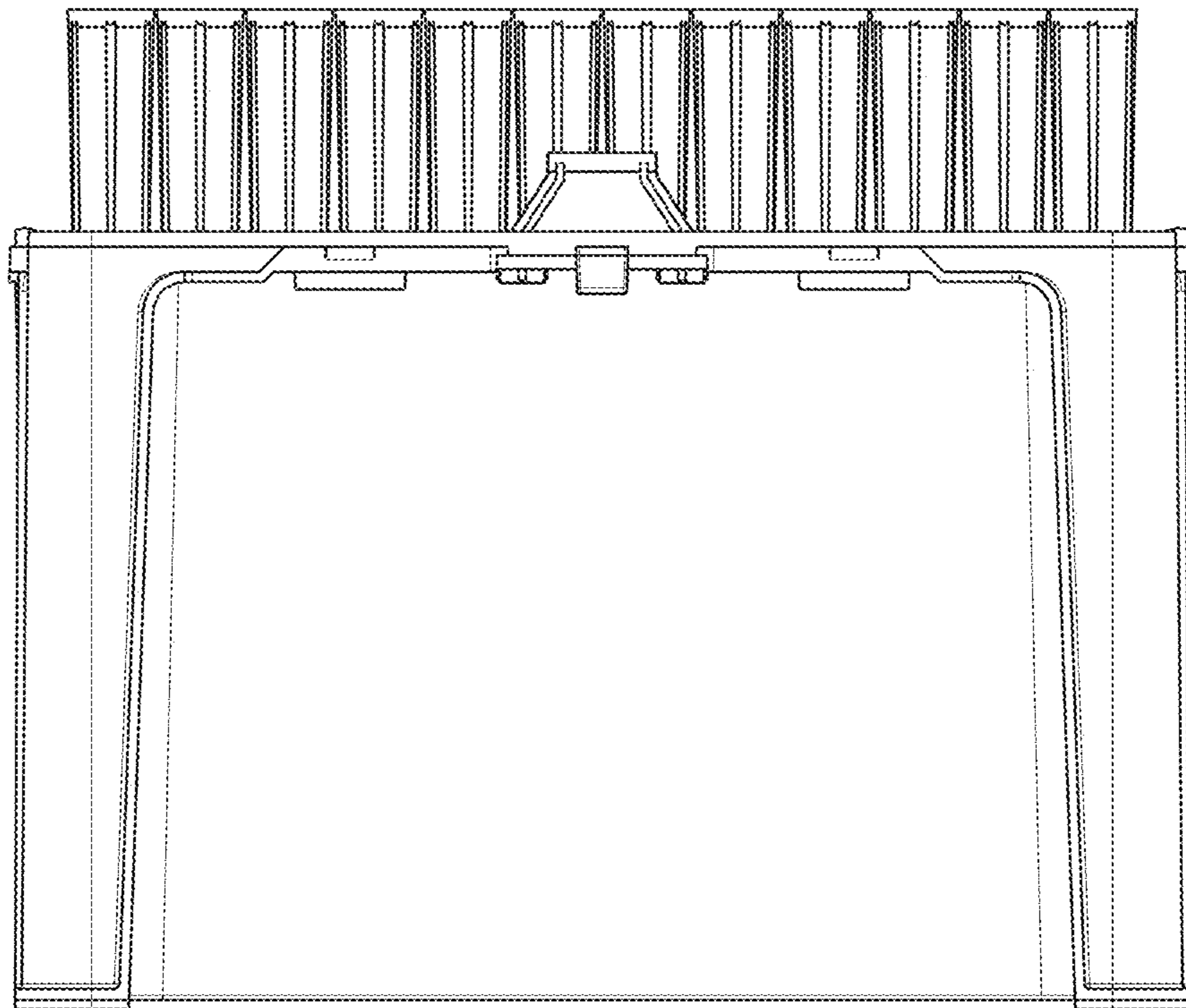


FIG. 29

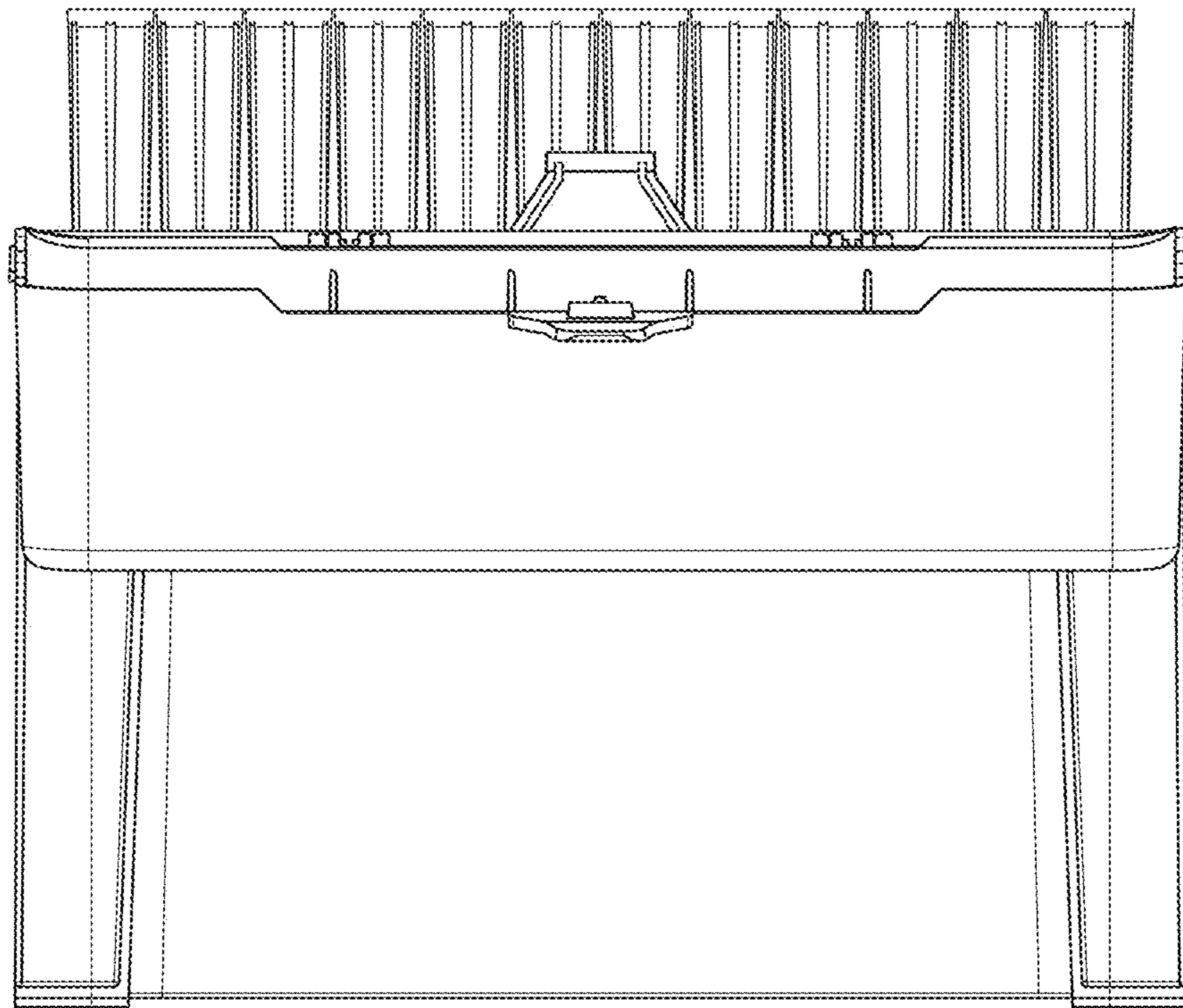


FIG. 30

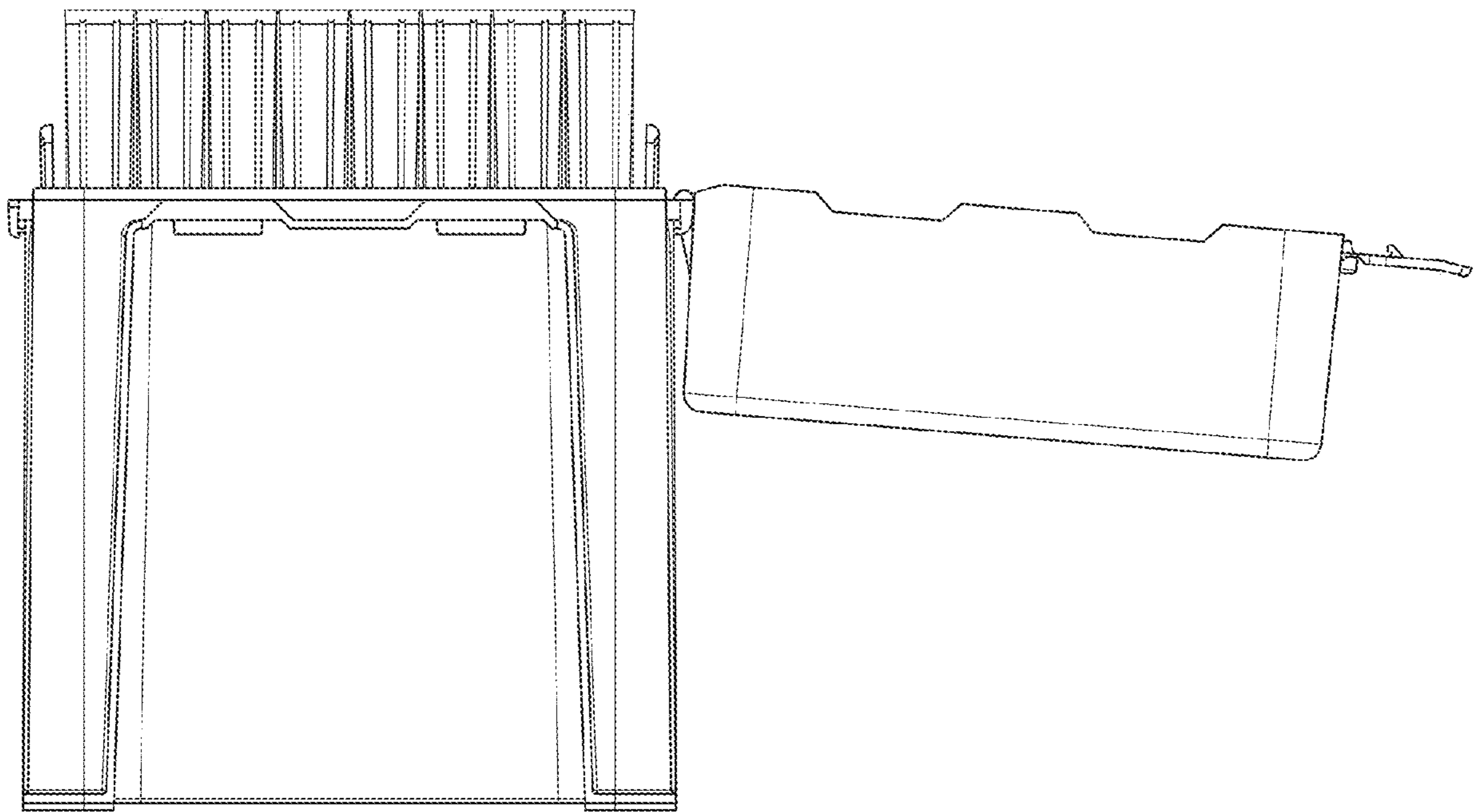


FIG. 31

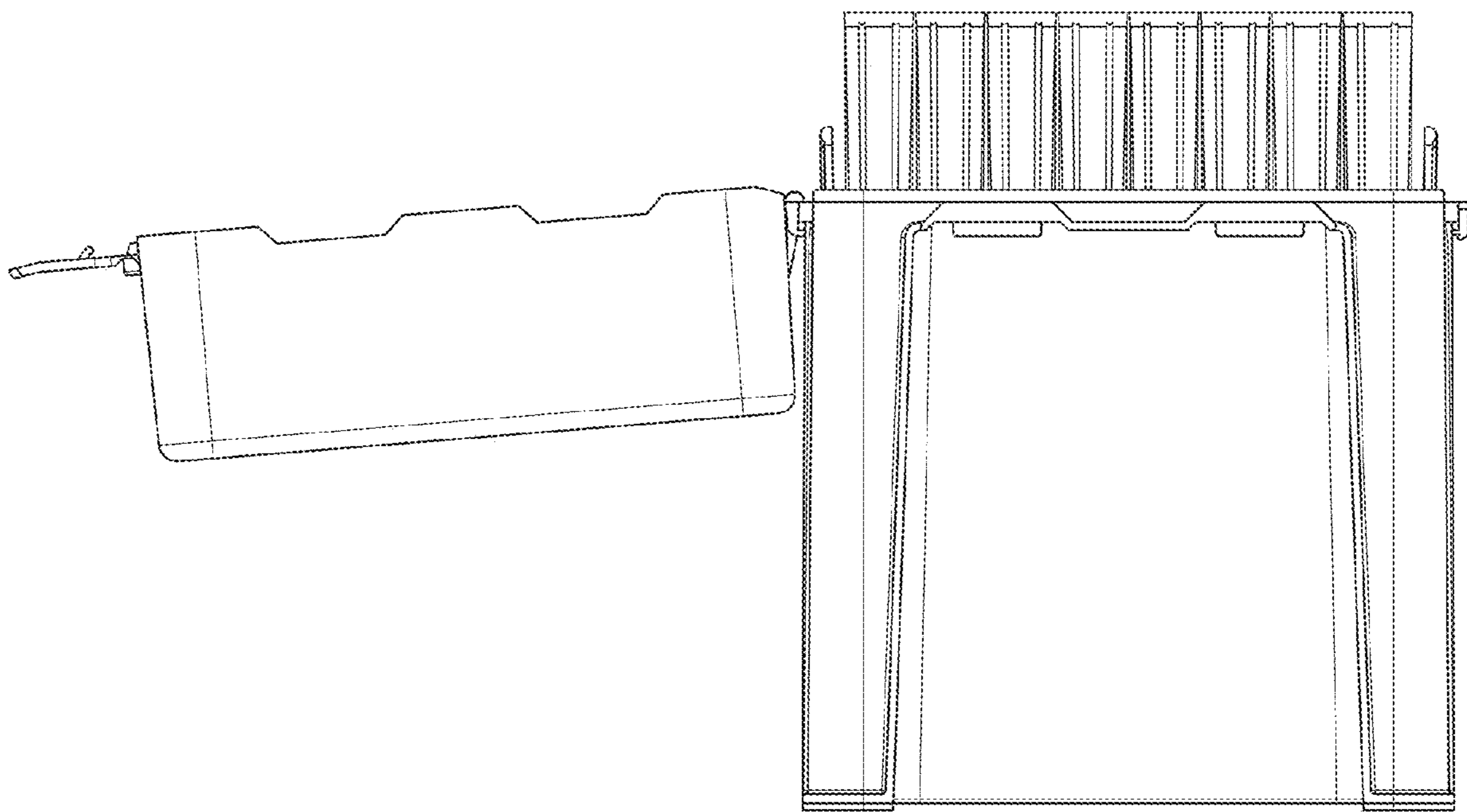


FIG. 32