



US00D923815S

(12) **United States Design Patent**
Livingston et al.

(10) **Patent No.:** **US D923,815 S**

(45) **Date of Patent:** **** Jun. 29, 2021**

(54) **REAGENT PLATE**

(71) Applicant: **Becton, Dickinson and Company,**
Franklin Lakes, NJ (US)

(72) Inventors: **Dwight Livingston,** Fallston, MD (US);
Brian A. Self, Monkton, MD (US);
Alyssa Shedlosky, Owings Mills, MD
(US)

(73) Assignee: **Becton, Dickinson and Company,**
Franklin Lakes, NJ (US)

(**) Term: **15 Years**

(21) Appl. No.: **29/697,637**

(22) Filed: **Jul. 10, 2019**

(51) **LOC (13) Cl.** **24-02**

(52) **U.S. Cl.**
USPC **D24/226**

(58) **Field of Classification Search**
USPC D24/216, 223–230; D3/203.1, 203.3
CPC A61B 5/150343; B01D 9/00; B01L 3/06;
B01L 3/502; B01L 3/5025
See application file for complete search history.

(56) **References Cited**

U.S. PATENT DOCUMENTS

D224,671 S *	8/1972	Eddy	D24/229
D242,654 S *	12/1976	Rawls	D24/229
D252,105 S *	6/1979	Baxter	D24/226
D252,106 S *	6/1979	Baxter	D24/226
D253,071 S *	10/1979	Montez	D24/181
D260,428 S	8/1981	Fekete		
D264,245 S *	5/1982	Olsen	D24/229
D297,914 S *	10/1988	Goodman	D9/415
5,147,609 A	9/1992	Grenner		
D338,965 S	8/1993	Glanz et al.		
5,665,558 A	9/1997	Frame et al.		
5,788,928 A	8/1998	Carey et al.		

5,962,250 A	10/1999	Gavin et al.
D420,743 S	2/2000	Monks
6,190,619 B1	2/2001	Kilcoin et al.
6,190,878 B1	2/2001	Pierson et al.

(Continued)

FOREIGN PATENT DOCUMENTS

EM	003342732-0016	8/2016
EM	003342732-0017	8/2016

(Continued)

OTHER PUBLICATIONS

Design U.S. Appl. No. 29/564,504, filed May 13, 2016 (Self, et al.).
(Continued)

Primary Examiner — Janice Hallmark

Assistant Examiner — Omeed Agilee

(74) *Attorney, Agent, or Firm* — Lerner, David,
Littenberg, Krumholz & Mentlik, LLP

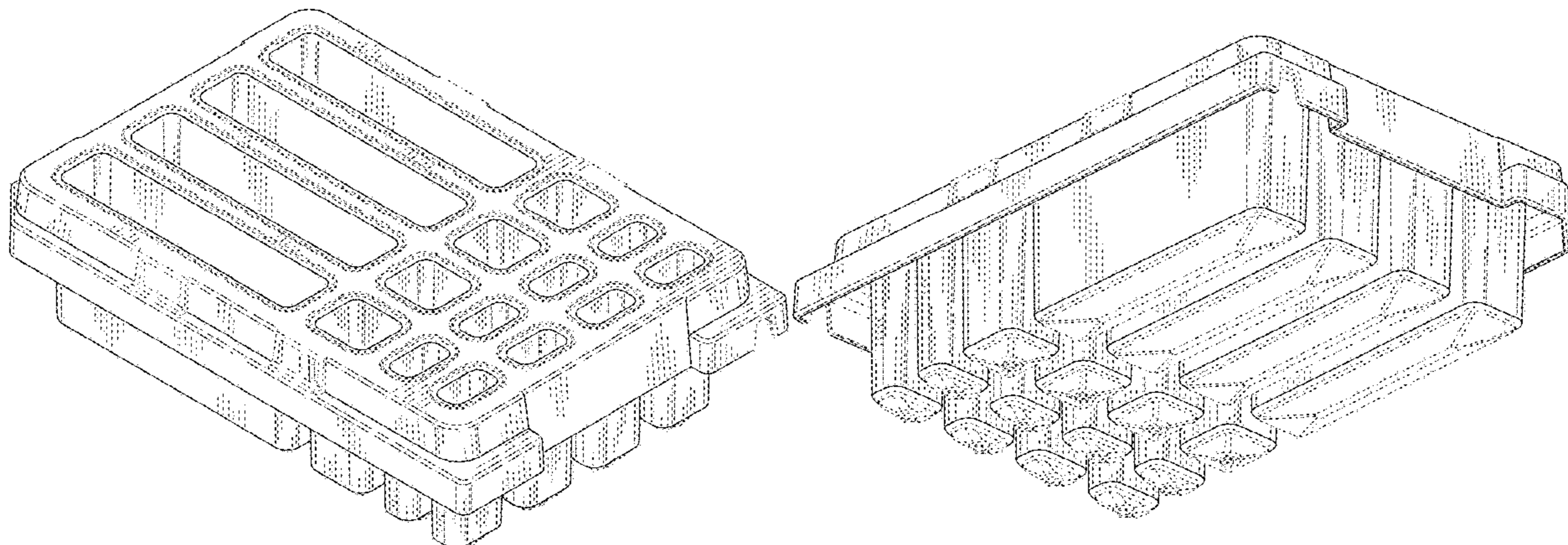
(57) **CLAIM**

The ornamental design for a reagent plate, as shown and described.

DESCRIPTION

FIG. 1 is a front perspective view of a reagent plate according to a first embodiment of our design; FIG. 2 is a front elevation view thereof; FIG. 3 is a rear elevation view thereof; FIG. 4 is a left side elevation view thereof; FIG. 5 is a right side elevation view thereof; FIG. 6 is a top plan view thereof; FIG. 7 is a bottom plan view thereof; and, FIG. 8 is a rear bottom perspective view thereof. The broken lines, the areas within them and the unshaded areas surrounded by both broken lines and solid lines depict portions of the reagent plate that form no part of the claimed design.

1 Claim, 6 Drawing Sheets



(56)

References Cited

U.S. PATENT DOCUMENTS

D438,632 S 3/2001 Miller
 D438,633 S 3/2001 Miller
 D492,419 S 6/2004 Farina
 6,943,009 B2 9/2005 Lacey et al.
 7,128,878 B2 10/2006 Muser
 D534,658 S * 1/2007 Bargh D24/229
 D546,966 S 7/2007 Kajiyama et al.
 D598,128 S 8/2009 Pihl et al.
 D598,566 S 8/2009 Allaer
 D601,713 S 10/2009 Lohn et al.
 D618,820 S 6/2010 Wilson et al.
 D620,603 S 7/2010 Talmer et al.
 D624,194 S 9/2010 Pack et al.
 7,922,986 B2 4/2011 Byrnard et al.
 D657,473 S 4/2012 Miyashita et al.
 D669,597 S 10/2012 Cavada et al.
 D672,395 S * 12/2012 Chuang D19/77
 D672,881 S 12/2012 Kraihanzel
 D673,293 S 12/2012 Demas et al.
 D674,112 S 1/2013 Demas et al.
 D696,419 S 12/2013 Fusellier et al.
 D699,371 S 2/2014 Williams et al.
 8,663,582 B2 3/2014 Kuan et al.
 D728,818 S 5/2015 Burroughs et al.
 D729,942 S 5/2015 Keizer et al.

D732,186 S 6/2015 Burroughs et al.
 D732,187 S 6/2015 Houkal et al.
 9,084,996 B2 7/2015 Chien et al.
 D767,409 S * 9/2016 Nickell D9/737
 D786,448 S * 5/2017 Ohsaka D24/224
 D792,981 S 7/2017 Tajima
 D800,338 S * 10/2017 Black D24/229
 D808,039 S 1/2018 Self et al.
 D832,456 S 10/2018 Self et al.
 D838,380 S 1/2019 Livingston et al.
 D871,234 S * 12/2019 Grove D9/761
 2005/0136546 A1 6/2005 Berndt et al.
 2005/0226786 A1 * 10/2005 Hager B01L 3/50255
 422/400
 2014/0361022 A1 12/2014 Finneran

FOREIGN PATENT DOCUMENTS

EM 003372614-0007 9/2016
 EM 003372614-0008 9/2016
 EM 003372614-0009 9/2016
 EM 006613642-0003 * 7/2019

OTHER PUBLICATIONS

Design U.S. Appl. No. 29/575,812, filed Aug. 29, 2016 (Self, et al.).

* cited by examiner

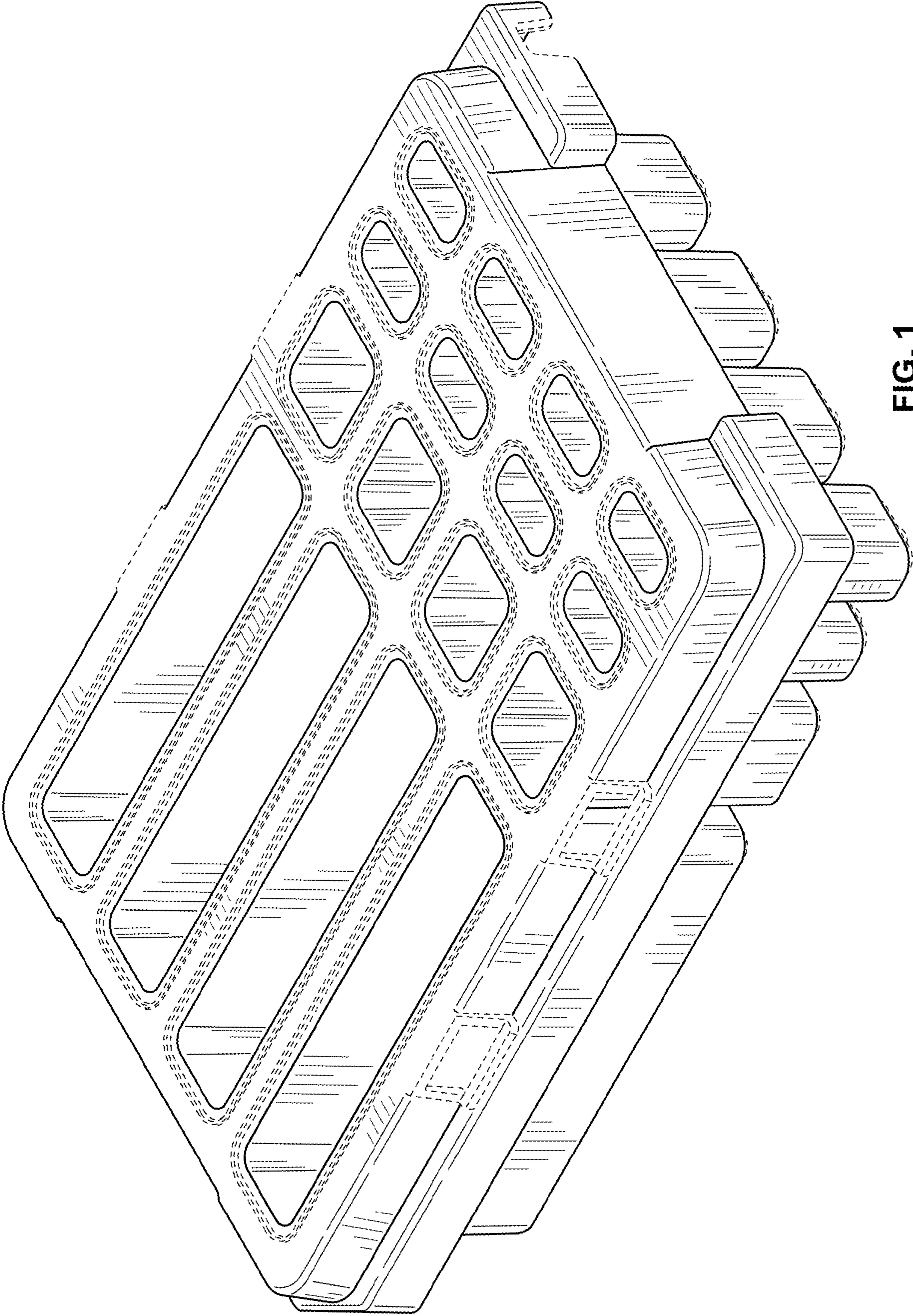


FIG. 1

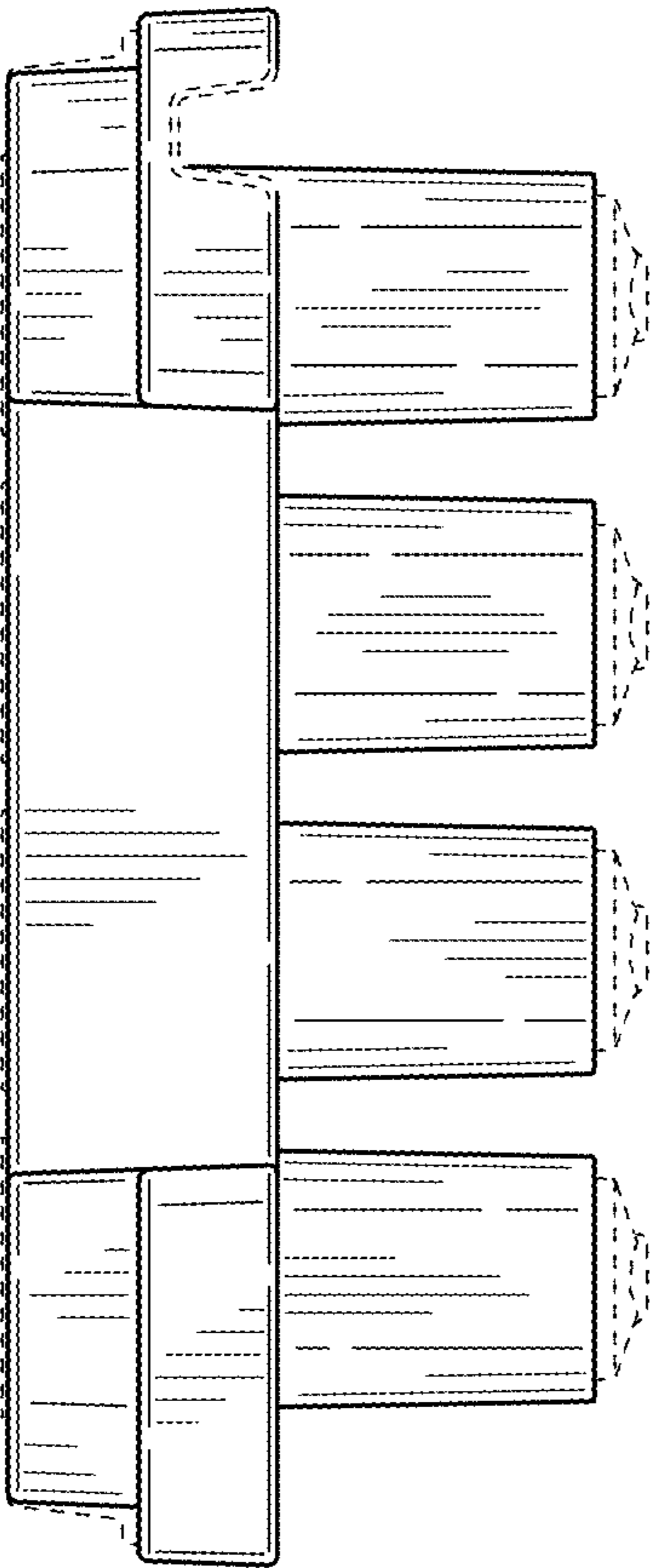


FIG. 2

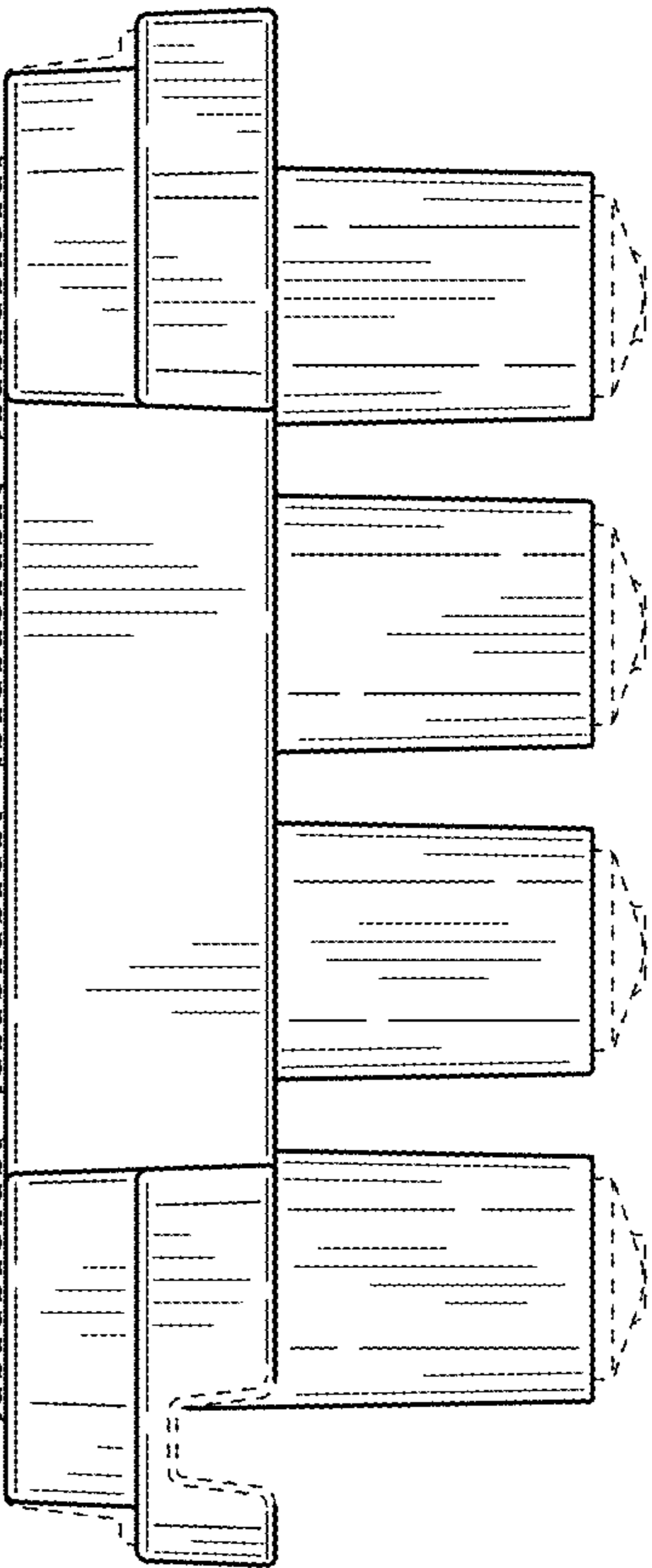


FIG. 3

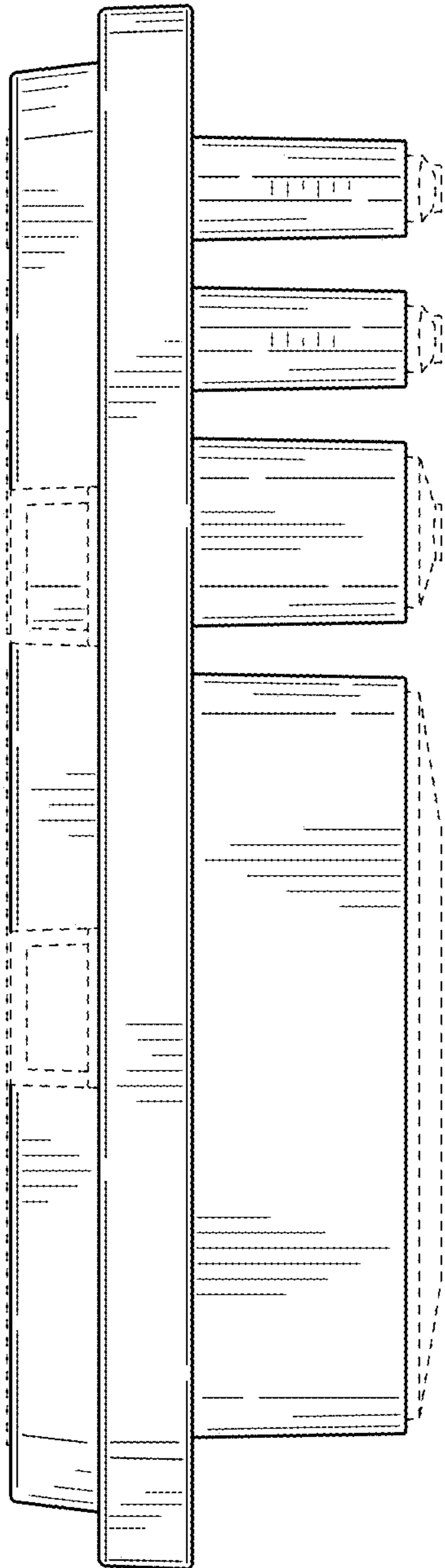


FIG. 4

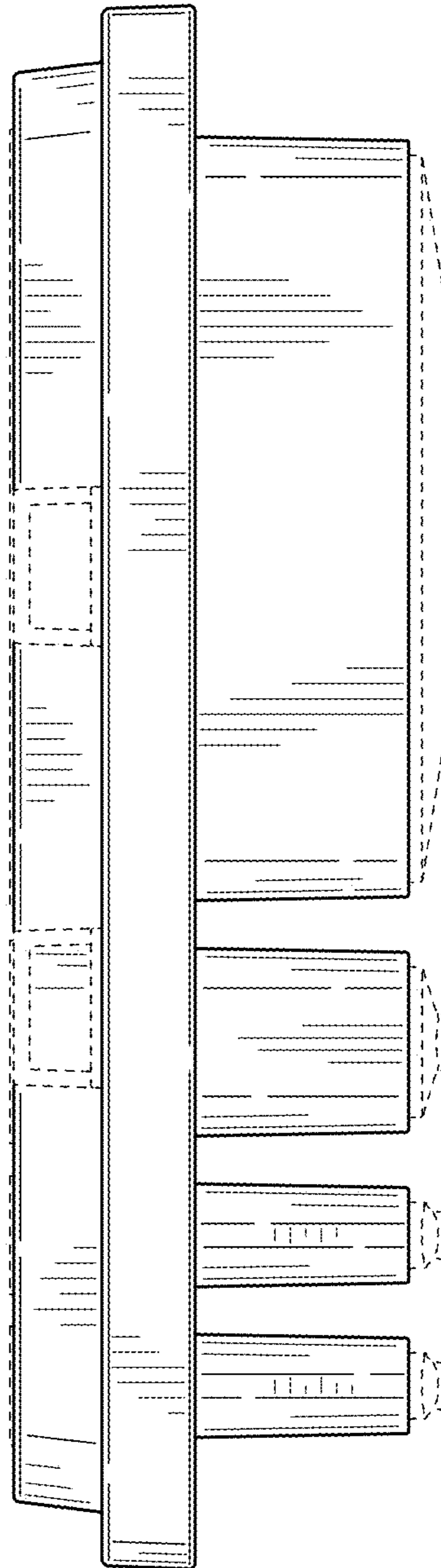


FIG. 5

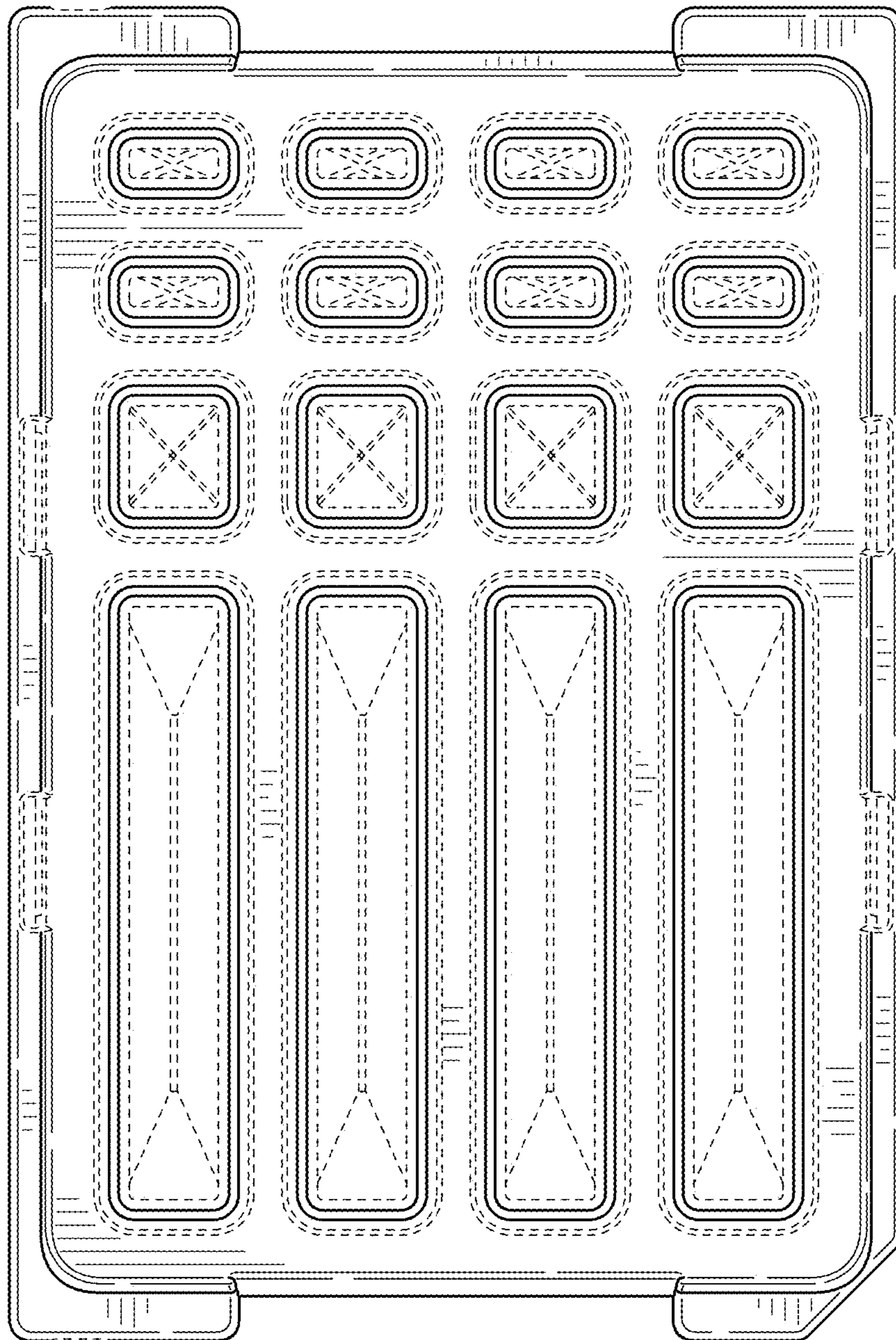


FIG. 6

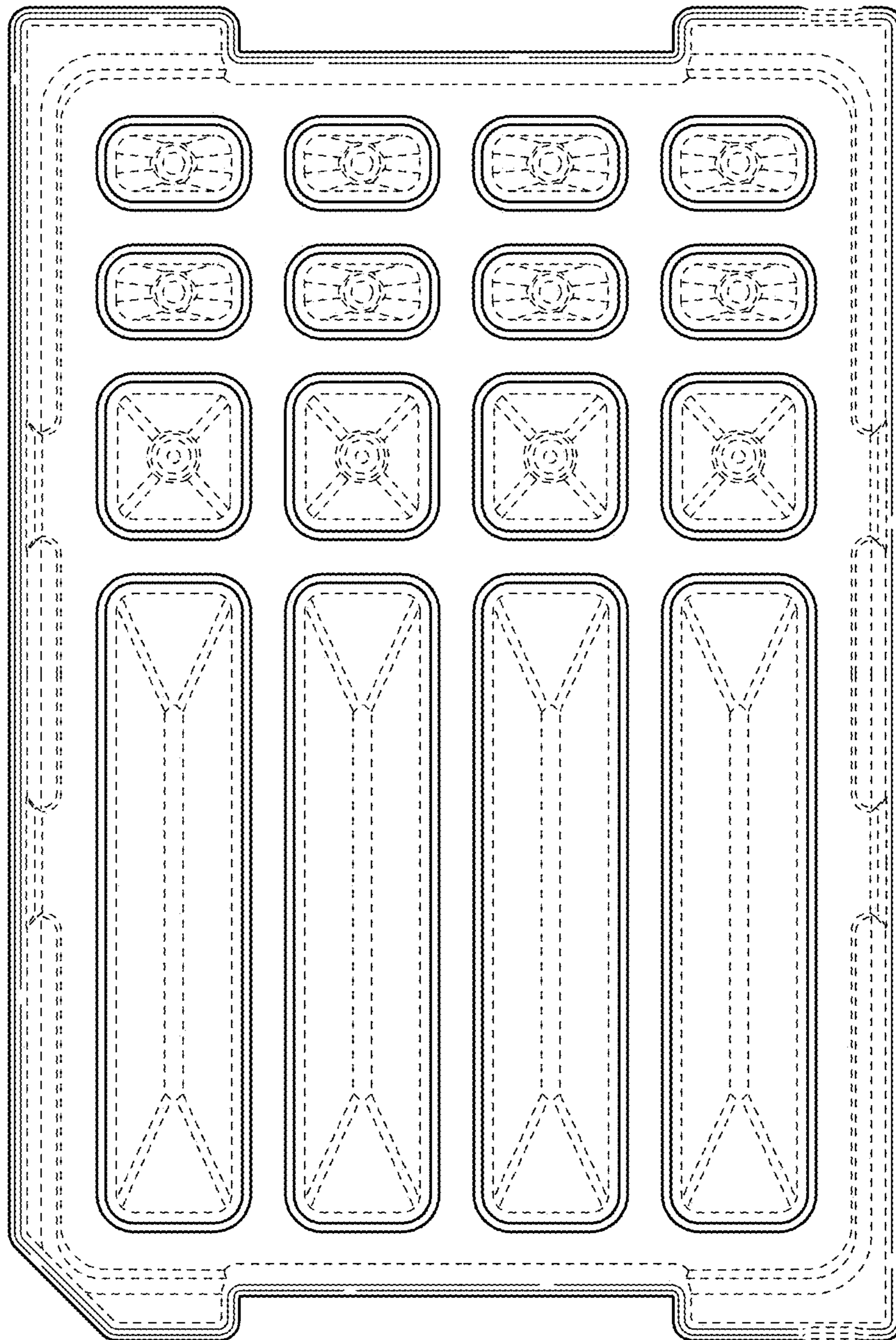


FIG. 7

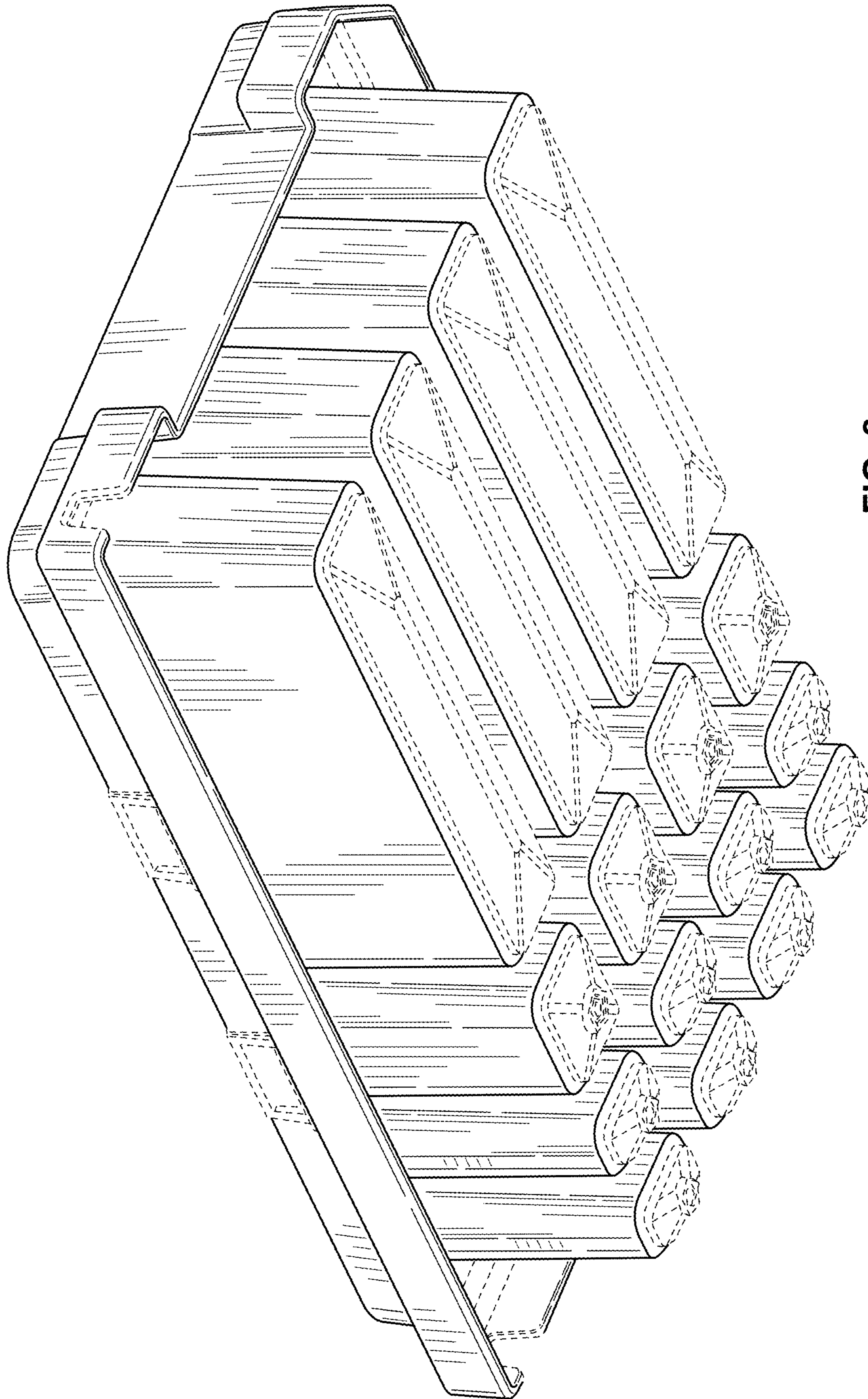


FIG. 8