



US00D923814S

(12) **United States Design Patent** (10) **Patent No.:** **US D923,814 S**
Lee et al. (45) **Date of Patent:** **** *Jun. 29, 2021**

(54) **ADAPTER FOR VIAL**

27/10; B01D 27/106; A61J 1/201; A61J 1/2044; A61J 1/2055; A61J 1/2089; A61J 1/2096; B01L 2200/026; B01L 2300/049; Y10S 604/905

(71) Applicant: **NEXTBIOMEDICAL CO., LTD.**, Incheon (KR)

See application file for complete search history.

(72) Inventors: **Dae Sung Lee**, Chungcheongnam-do (KR); **Se Yoon Kim**, Incheon (KR); **Eunhye Lee**, Incheon (KR)

(56) **References Cited**

(73) Assignee: **NEXTBIOMEDICAL CO., LTD.**, Incheon (KR)

U.S. PATENT DOCUMENTS

(*) Notice: This patent is subject to a terminal disclaimer.

D439,345 S *	3/2001	Herchenbach	D24/224
D596,487 S *	7/2009	Batton	D9/447
D607,118 S *	12/2009	Py	D24/224
D728,126 S *	4/2015	Schmidt	D24/224
D755,629 S *	5/2016	Marraccini	D9/447
D805,637 S *	12/2017	Bureau	D24/130

(Continued)

(**) Term: **15 Years**

(21) Appl. No.: **35/506,648**

OTHER PUBLICATIONS

(22) Filed: **Aug. 14, 2018**

NP Medical Inline Check Valves https://www.npmedical.com/dam/jcr:743fe9e4-2565-4fd2-a267-092fc317059f/NPMedical_InlineCheckValves.pdf Date Unknown.*

(80) **Hague Agreement Data**

Int. Filing Date: **Aug. 14, 2018**
Int. Reg. No.: **DM/200559**
Int. Reg. Date: **Aug. 14, 2018**
Int. Reg. Pub. Date: **Apr. 19, 2019**

(Continued)

Primary Examiner — Samantha Q Lawrence
(74) *Attorney, Agent, or Firm* — Harness, Dickey & Pierce. P.L.C.

(30) **Foreign Application Priority Data**

Feb. 14, 2018 (KR) 30-2018-0008132

(57) **CLAIM**

(51) **LOC (13) Cl.** **24-02**

The ornamental design for an adapter for vial, as shown and described.

(52) **U.S. Cl.**
USPC **D24/224**

DESCRIPTION

(58) **Field of Classification Search**
USPC D24/108, 112, 113, 114, 115, 127–131, D24/133, 186, 216, 224; D9/418, 434, D9/435, 447, 448, 449, 452, 453, 454, D9/724; D28/7; D23/233–250, 207, 209, D23/365
CPC A61M 25/00; A61M 39/00; A61M 27/00; A61M 25/0043; A61M 25/0067; A61M 25/0097; A61M 39/10; A61F 2/958; B01D 35/143; B01D 2201/304; B01D

Figure 1.1 is a perspective view of an adapter for vial, showing our new design;
Figure 1.2 is a left view thereof;
Figure 1.3 is a right view thereof;
Figure 1.4 is a front view thereof;
Figure 1.5 is a back view thereof;
Figure 1.6 is a top view thereof;
Figure 1.7 is a bottom view thereof; and

(Continued)

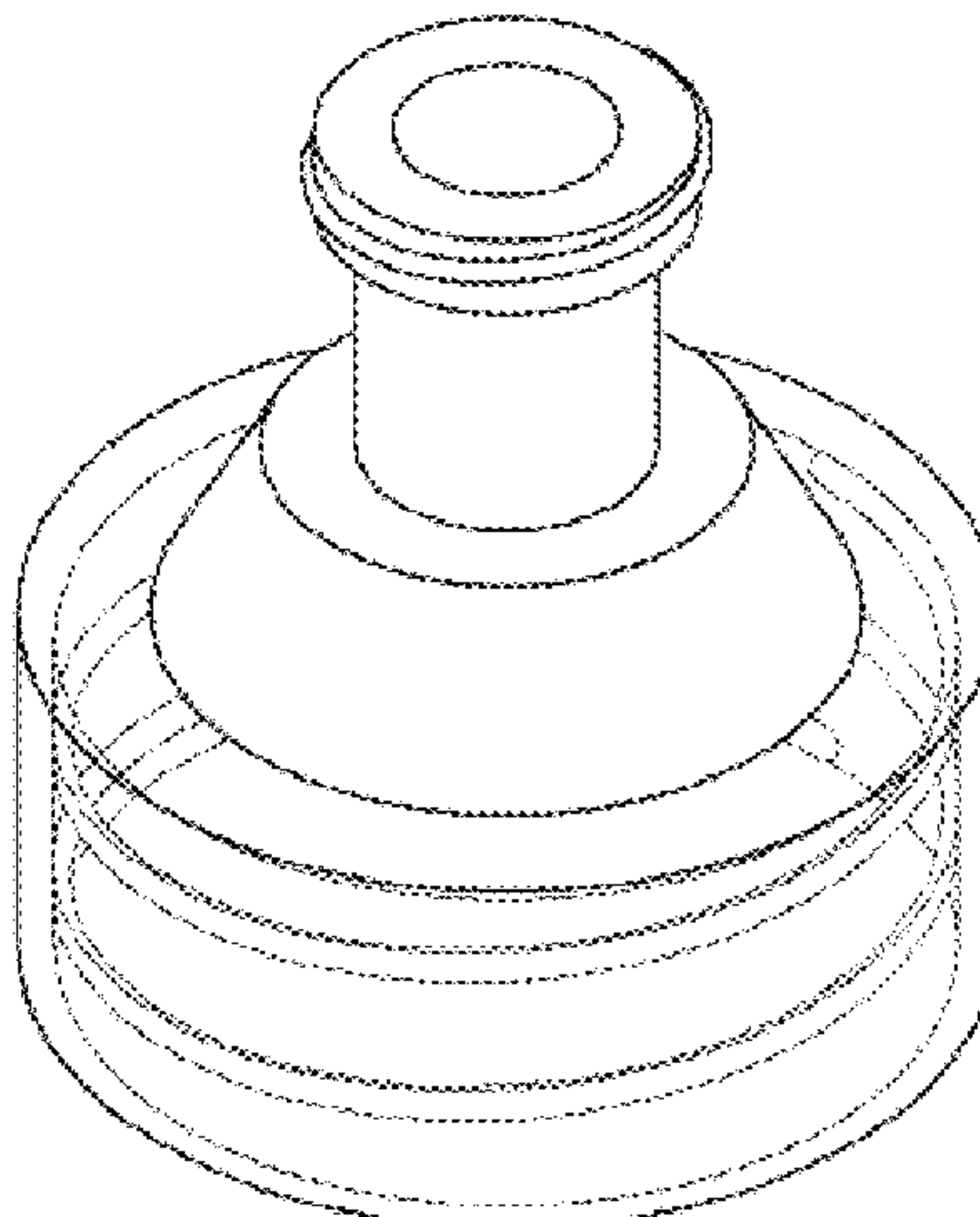


Figure 1.8 is a cross-sectional view thereof taken along plane A-A' of Figure 1.6.

1 Claim, 8 Drawing Sheets

(56) **References Cited**

U.S. PATENT DOCUMENTS

D825,737	S *	8/2018	Yokoyama	D24/108
D827,814	S *	9/2018	Sekine	D24/112
D834,414	S *	11/2018	Moore	D9/449
D835,268	S *	12/2018	Di Ubaldi	D24/130
D851,243	S *	6/2019	Gloria Bello	D24/129
D873,967	S *	1/2020	Ozburn	D23/249
2004/0102738	A1 *	5/2004	Dikeman	A61M 39/24 604/256
2007/0106244	A1 *	5/2007	Mosler	A61J 1/2096 604/411
2010/0211020	A1 *	8/2010	Layton, Jr.	A61M 39/16 604/247
2012/0296307	A1 *	11/2012	Holt	A61J 1/2089 604/407
2016/0158102	A1 *	6/2016	Venosh	A61J 3/00 604/408
2016/0354594	A1 *	12/2016	Uehara	A61J 15/00
2017/0268039	A1 *	9/2017	Nana	G01N 35/10
2018/0289941	A1 *	10/2018	Di Ubaldi	A61M 5/3134
2019/0298608	A1 *	10/2019	Caetano	A61J 1/2089

OTHER PUBLICATIONS

AMSafe Needle-Free PRN Connector <https://www.quadmed.com/product/amsafe-needle-free-prn-connector> Date Unknown.*

* cited by examiner

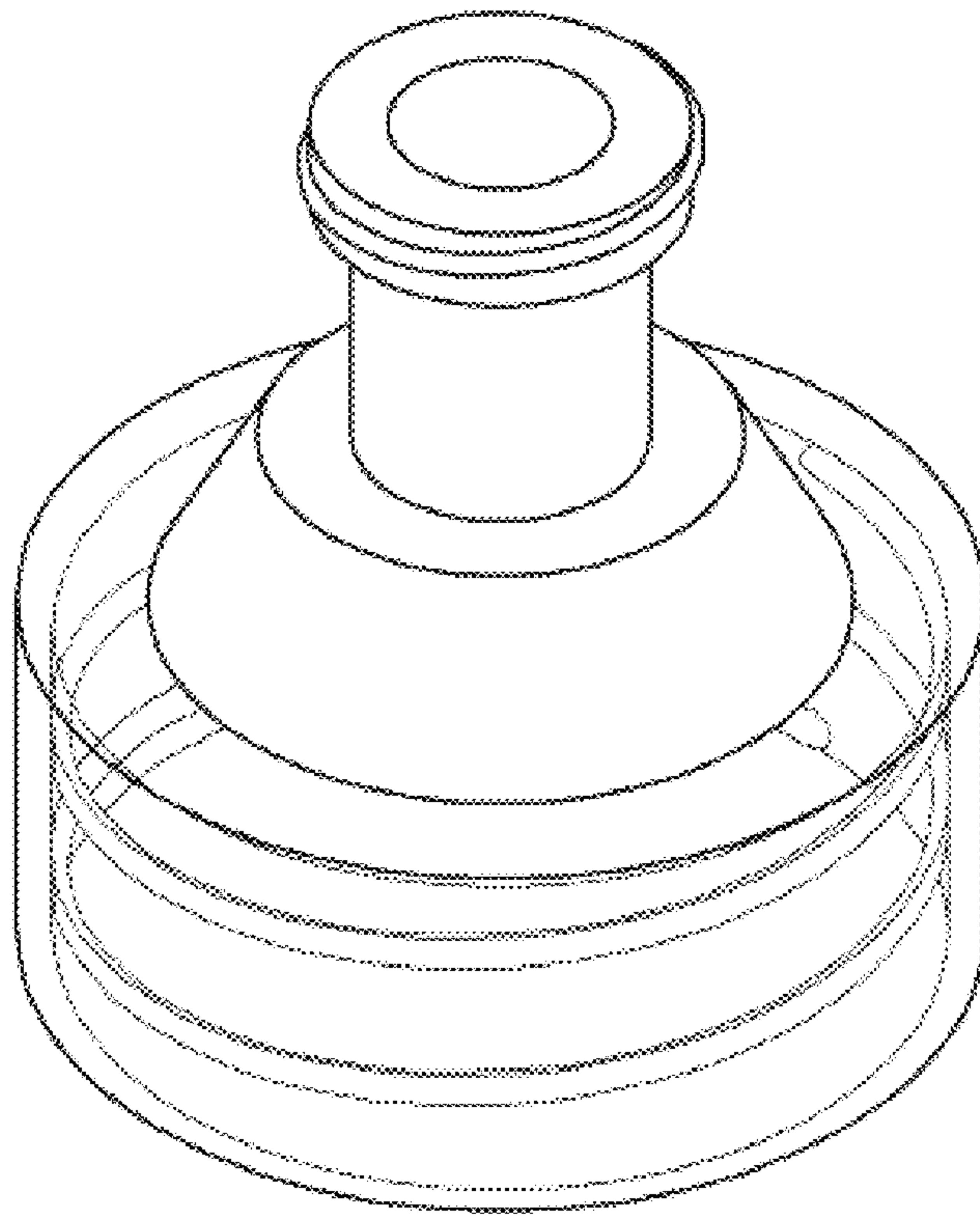


FIG. 1.1

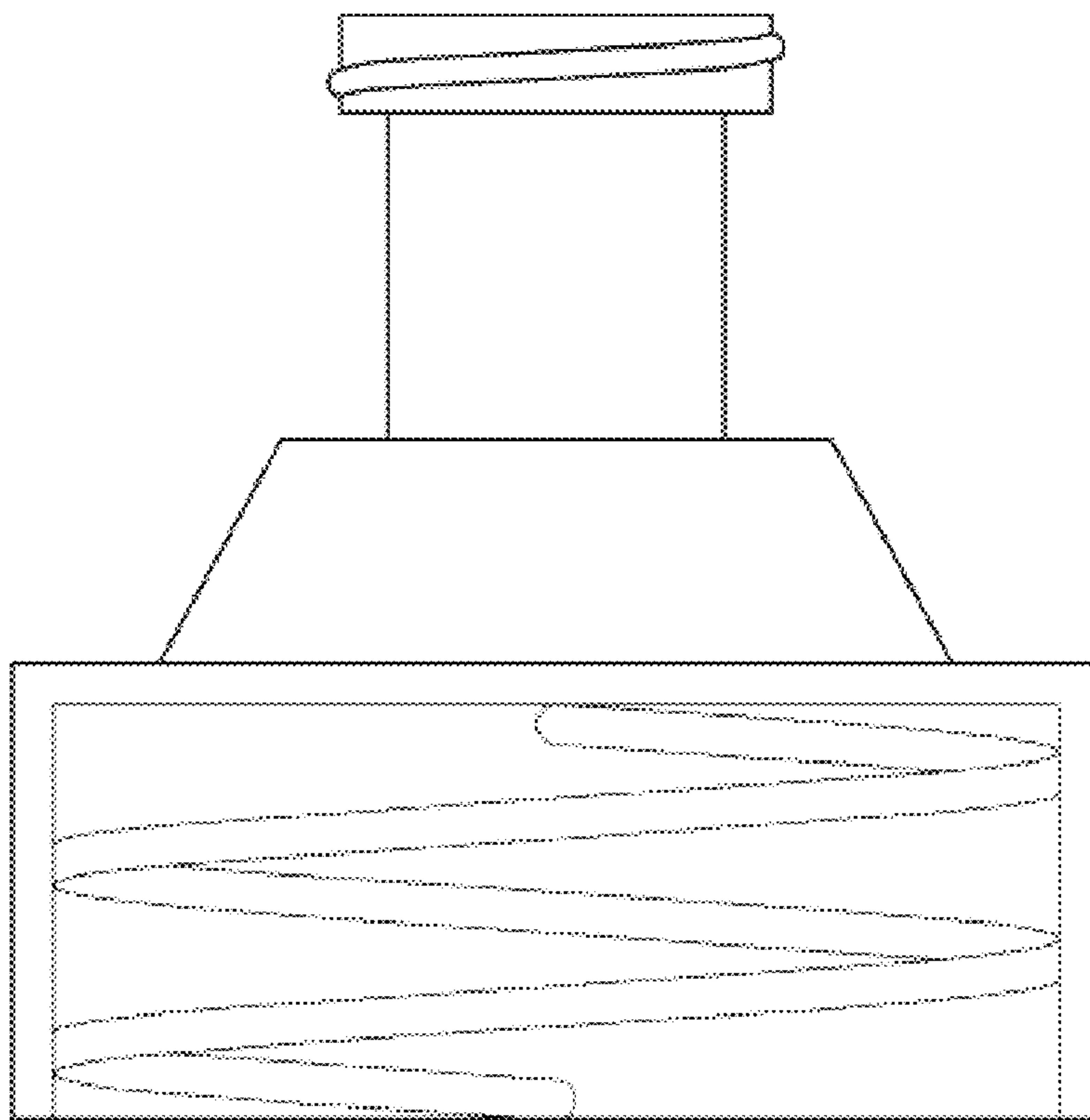


FIG. 1.2

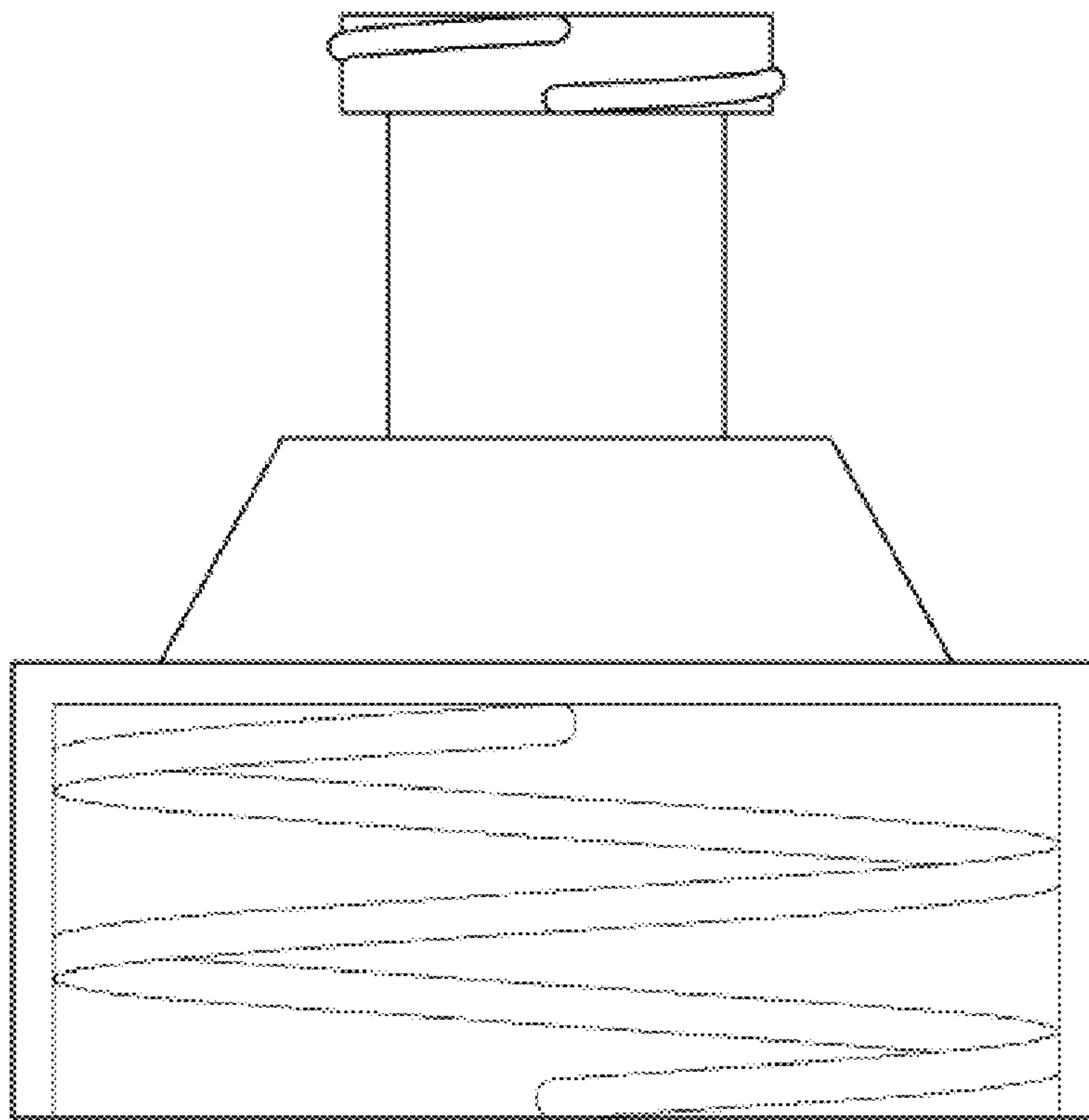


FIG. 1.3

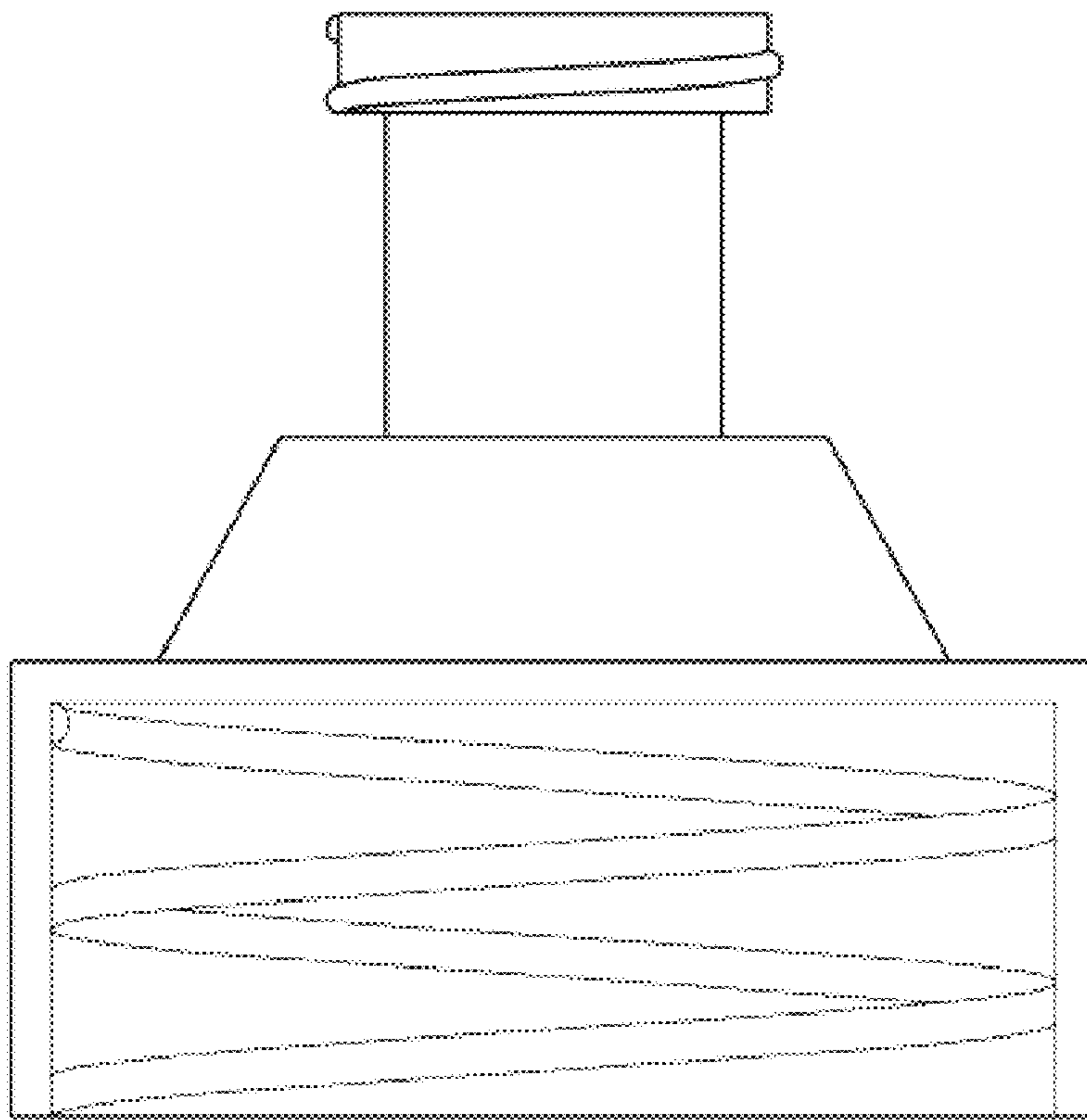


FIG. 1.4

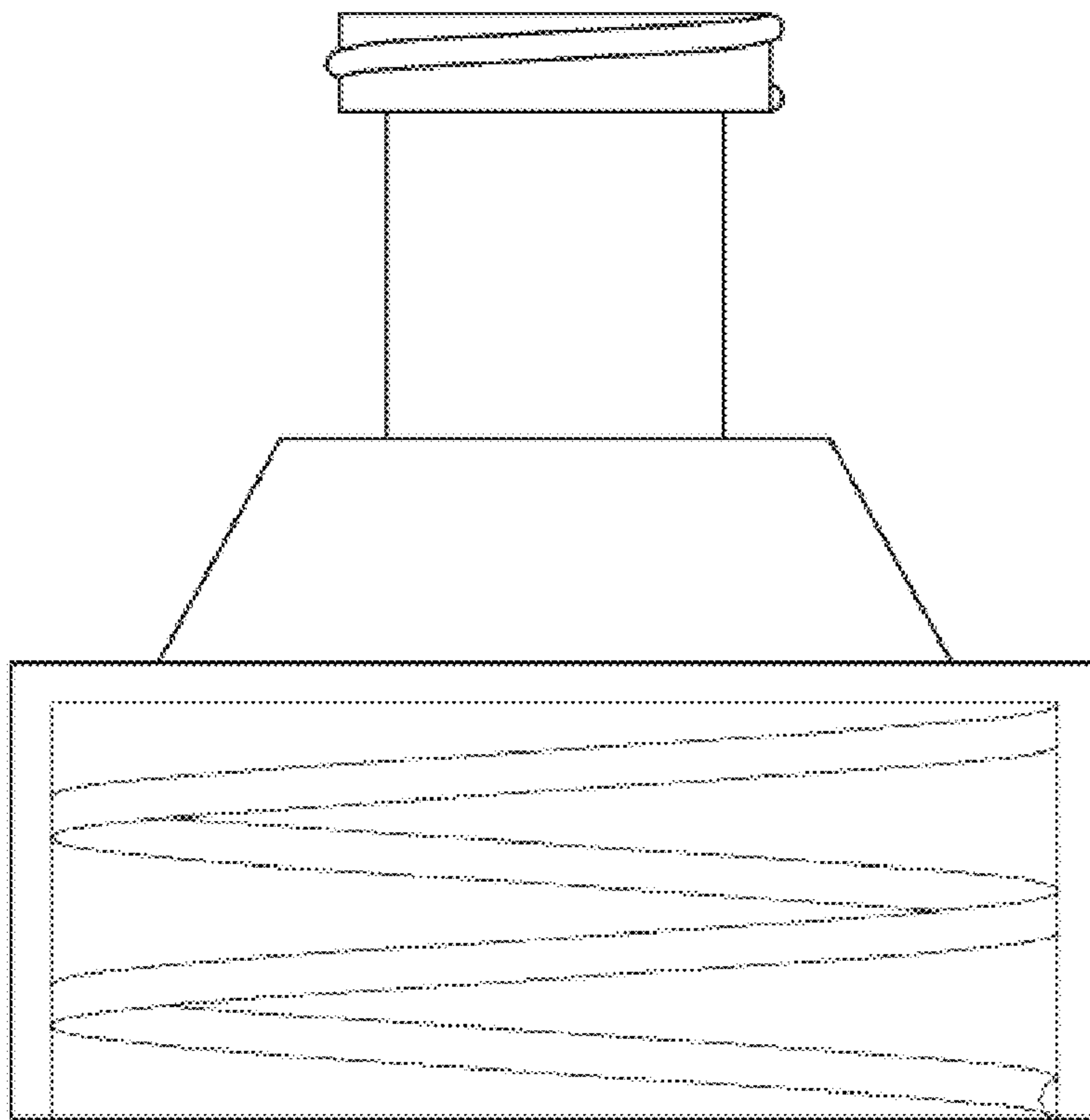


FIG. 1.5

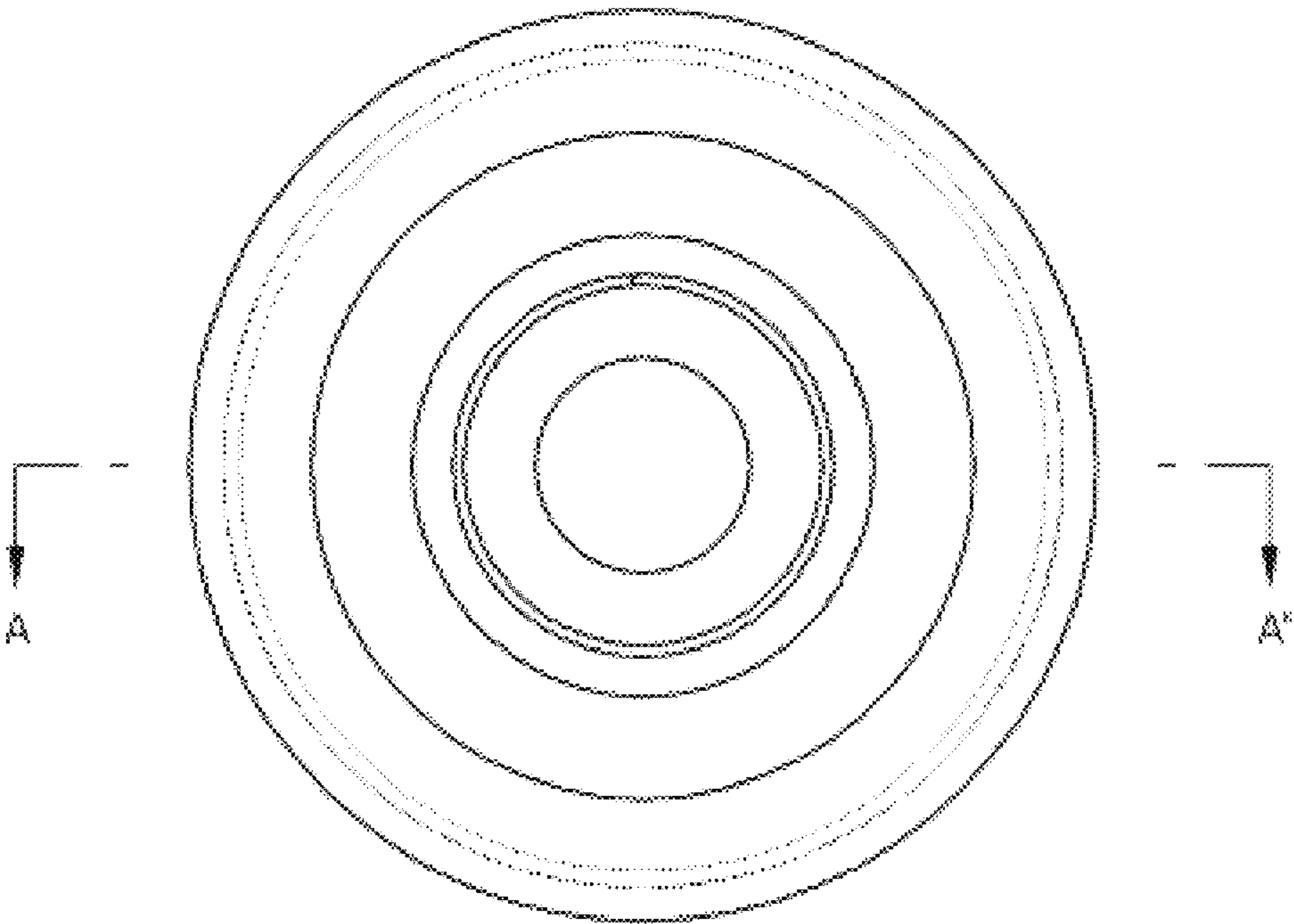


FIG. 1.6

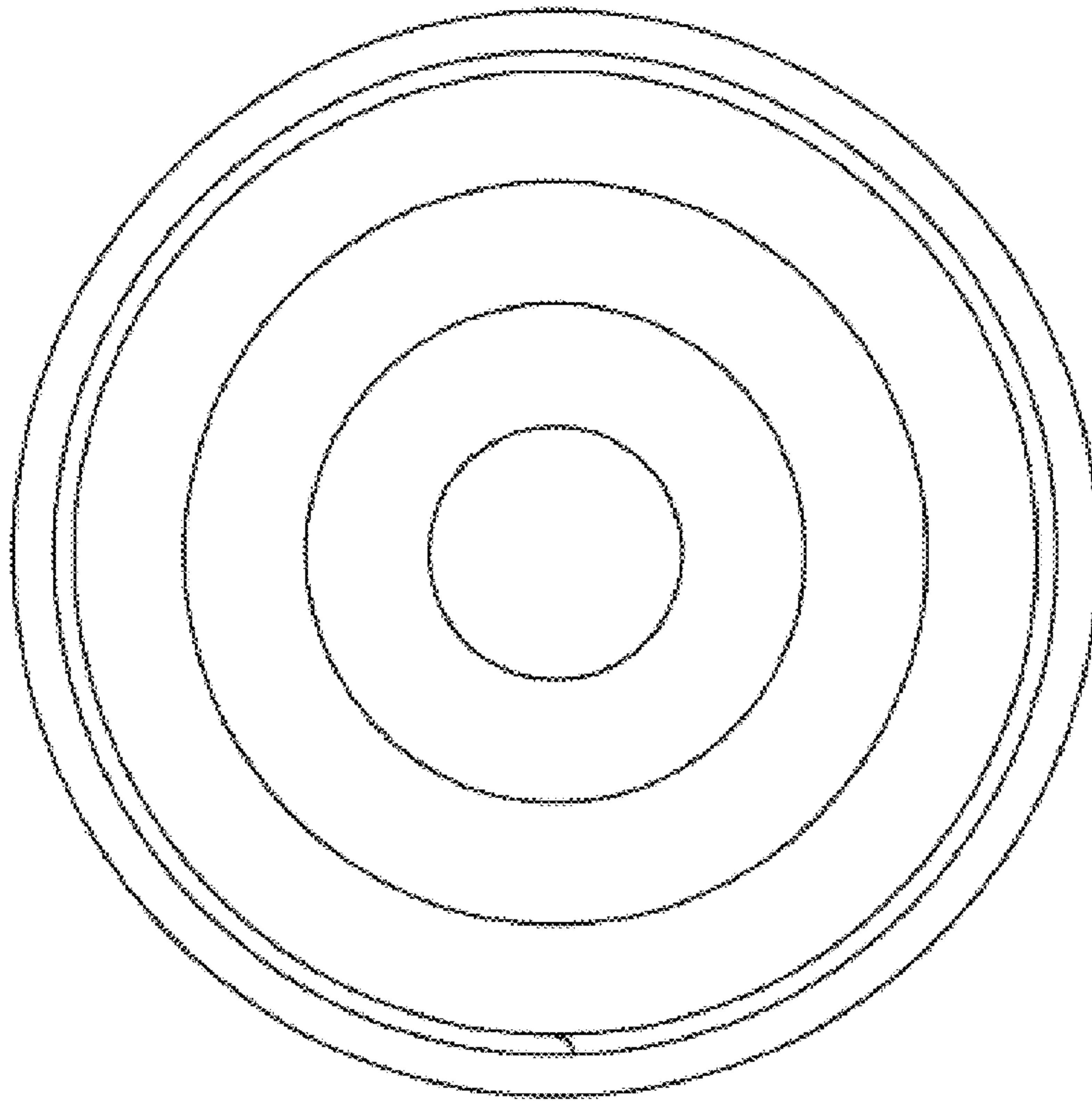


FIG. 1.7

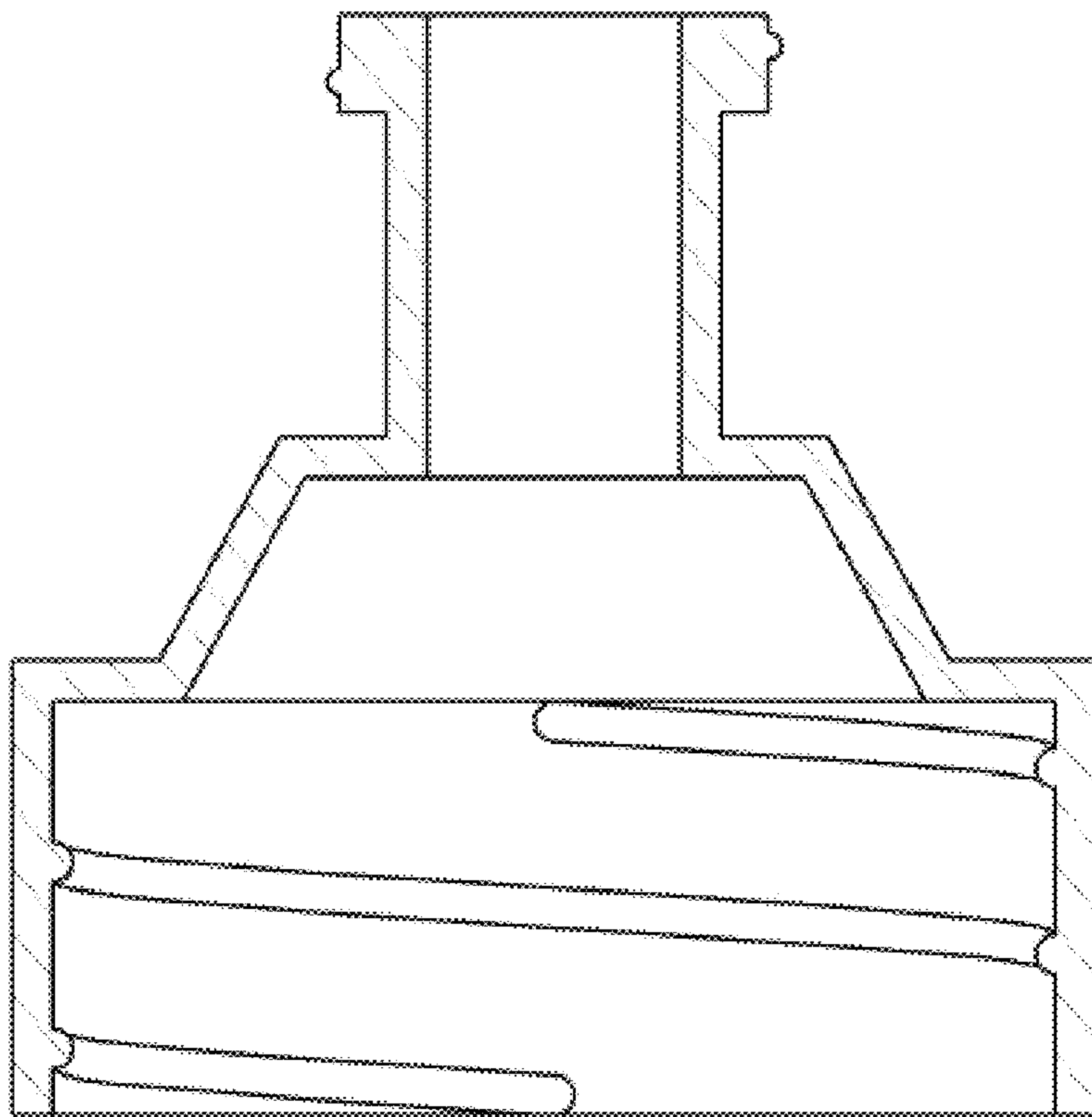


FIG. 1.8