

US00D923813S

(12) **United States Design Patent** (10) **Patent No.:** **US D923,813 S**
Livingston et al. (45) **Date of Patent:** **** Jun. 29, 2021**

(54) **COMBINED CAP AND SEPTUM ASSEMBLY FOR A VESSEL**

FOREIGN PATENT DOCUMENTS

EP 3241782 A1 11/2017
KR 200177951 Y1 4/2000

(71) Applicant: **BECTON DICKINSON AND COMPANY**, Franklin Lakes, NJ (US)

(Continued)

(72) Inventors: **Dwight Livingston**, Fallston, MD (US);
Ammon David Lentz, York, PA (US);
Sharon Virginia LaMont Leitch,
Shrewsbury, PA (US); **Gary F. Hershner**,
Red Lion, PA (US); **Daniel Justin Lohan**,
Glen Rock, PA (US); **Joseph Kelleher**,
Baltimore, MD (US); **Elisabeth Lily Sooklal**,
Reisterstown, MD (US)

OTHER PUBLICATIONS

International Search Report and Written Opinion issued in PCT application No. PCT/US2020/037408 dated Sep. 25, 2020.

(Continued)

Primary Examiner — Susan Bennett Hattan
Assistant Examiner — Omeed Agilee
(74) *Attorney, Agent, or Firm* — Botos Churchill IP Law LLP

(73) Assignee: **BECTON DICKINSON AND COMPANY**, Franklin Lakes, NJ (US)

(57) **CLAIM**

The ornamental design for a combined cap and septum assembly for a vessel, as shown and described.

(**) Term: **15 Years**

DESCRIPTION

(21) Appl. No.: **29/700,695**

(22) Filed: **Aug. 5, 2019**

(51) **LOC (13) Cl.** **24-02**

(52) **U.S. Cl.**
USPC **D24/224; D24/226**

(58) **Field of Classification Search**
USPC D24/216, 222–226, 231, 232;
D3/203.1–203.8; D9/502, 504, 505, 529,
D9/552–556, 558, 569

(Continued)

(56) **References Cited**

U.S. PATENT DOCUMENTS

1,879,820 A * 9/1932 Perry A47G 19/2205
215/371

4,924,923 A 5/1990 Boehmer et al.

(Continued)

FIG. 1 is a top view of the first embodiment of a combined cap and septum assembly for a vessel with the septum removed from the view;
FIG. 2 is a bottom view thereof;
FIG. 3 is a sectional view taken along line 3-3 in FIG. 1 showing the septum inserted in the cap;
FIG. 4 is an enlarged view of the area 4 circumscribed in FIG. 3;
FIG. 5 is an exploded perspective view of the cap and the septum;
FIG. 6 is a cross section of the combined cap and septum assembly for a vessel affixed on a vessel;
FIG. 7 is an enlarged view of the area 7 circumscribed in FIG. 6;
FIG. 8 is an enlarged view of area 8 of the combined cap and septum assembly for a vessel circumscribed in FIG. 11 showing the second embodiment;
FIG. 9 is a bottom view of the first embodiment;
FIG. 10 is an exploded perspective view of the second embodiment; and,

(Continued)

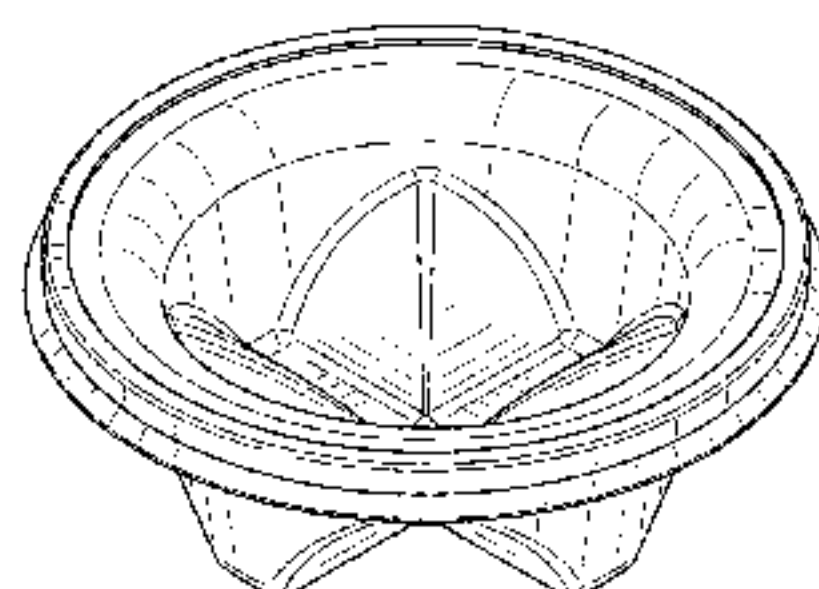
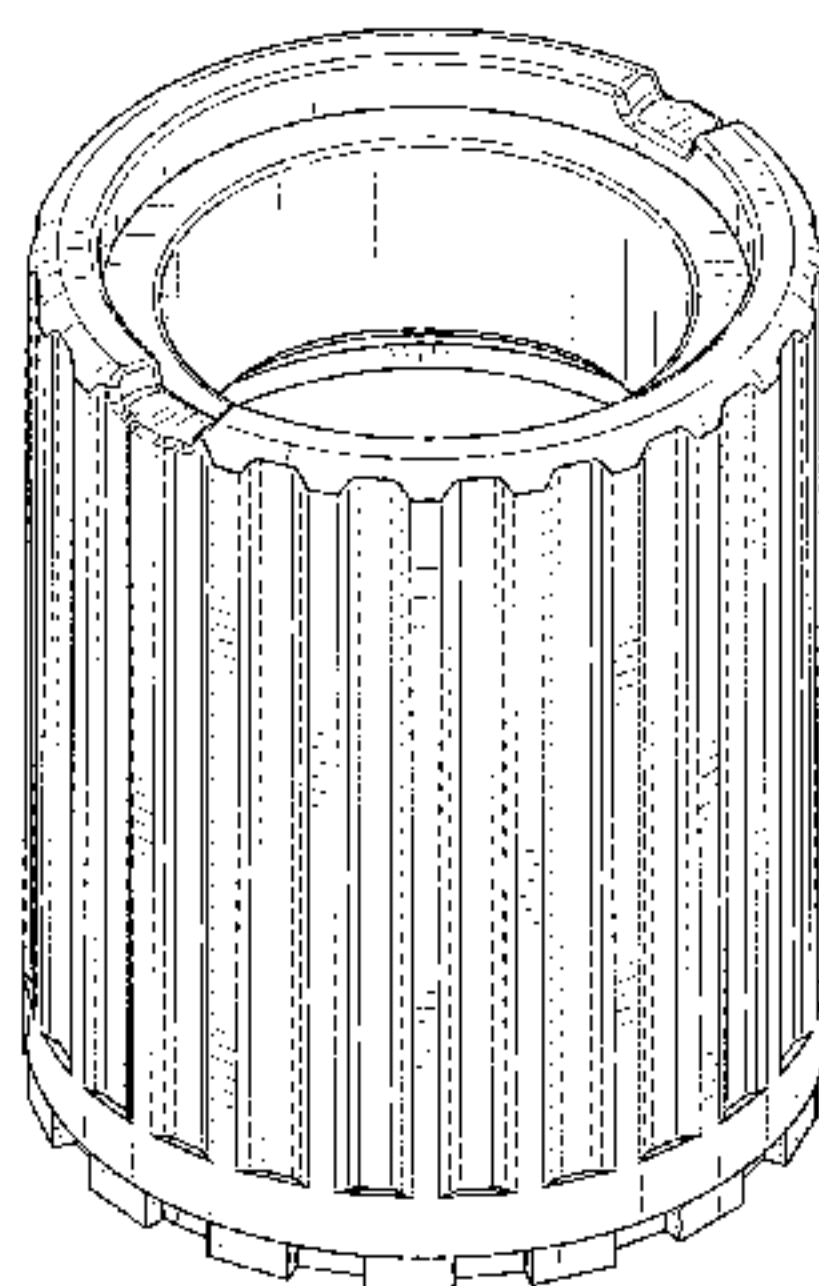


FIG. 11 is a sectional view thereof taken along line 11-11 of FIG. 10.

The broken lines illustrate portions of the combined cap and septum assembly for a vessel that form no part of the claimed design.

1 Claim, 7 Drawing Sheets

(58) Field of Classification Search

CPC A61B 5/150022; B63H 21/36
See application file for complete search history.

(56) References Cited

U.S. PATENT DOCUMENTS

D323,555	S *	1/1992	Rasmusson	D24/133
5,269,763	A	12/1993	Boehmer et al.		
5,366,893	A	11/1994	Stevens et al.		
D480,640	S *	10/2003	Oyama	D24/129
D502,046	S	2/2005	Isler et al.		
D516,913	S	3/2006	LaMasney		
D582,032	S	12/2008	Bizup et al.		
D586,905	S	2/2009	Fisher et al.		
D602,164	S *	10/2009	Speth	D24/224
D647,627	S *	10/2011	Wilkinson	D24/224
8,387,810	B2	3/2013	Livingston et al.		
8,387,811	B2	3/2013	Livingston et al.		

D690,433	S *	9/2013	Karpiloff	D24/224
D717,430	S *	11/2014	Shiraishi	D24/130
D738,210	S	9/2015	Tanner		
9,545,632	B2	1/2017	Lentz et al.		
D806,241	S *	12/2017	Swinney	D24/129
D824,027	S *	7/2018	Flores	D24/140
D829,896	S *	10/2018	Py	D24/129
D834,532	S *	11/2018	Maroney	D13/154
D852,375	S *	6/2019	Druga, Sr.	D24/224
D859,686	S	9/2019	Charm		
D886,320	S *	6/2020	Bruemmer	D24/216
D887,577	S *	6/2020	Shor	D24/227
2009/0048534	A1	2/2009	Triva		
2009/0257922	A1	10/2009	Baker		
2014/0008321	A1 *	1/2014	Lentz	B01L 3/50825 215/257
2014/0011292	A1 *	1/2014	Lentz	B01L 3/56 436/180

FOREIGN PATENT DOCUMENTS

KR	30-0271463	2/2001
KR	30-0282379	10/2001

OTHER PUBLICATIONS

Danone Design dated May 24, 1997.
International Design Registration, Hague Express Jun. 6, 1997.

* cited by examiner

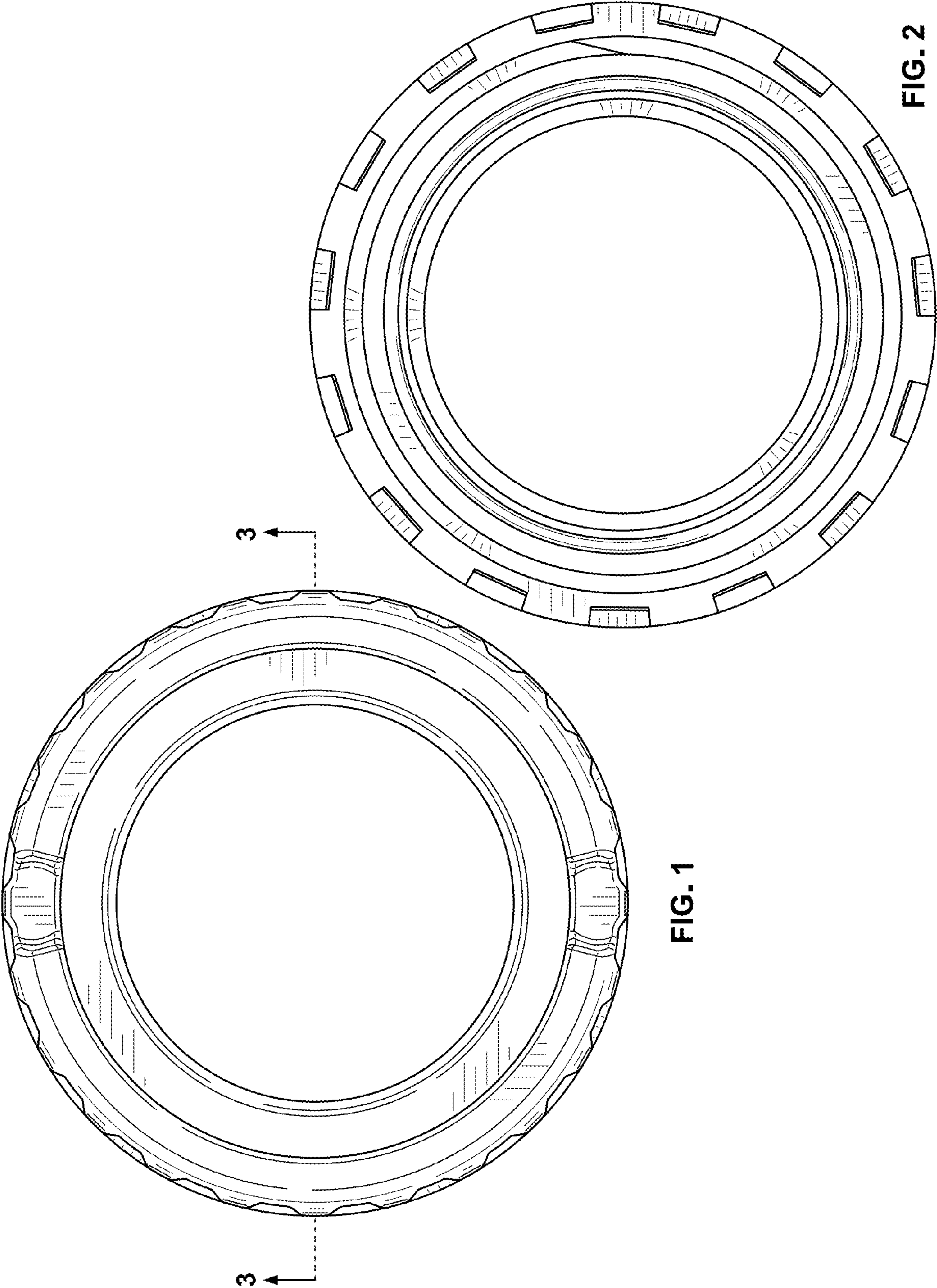


FIG. 1

FIG. 2

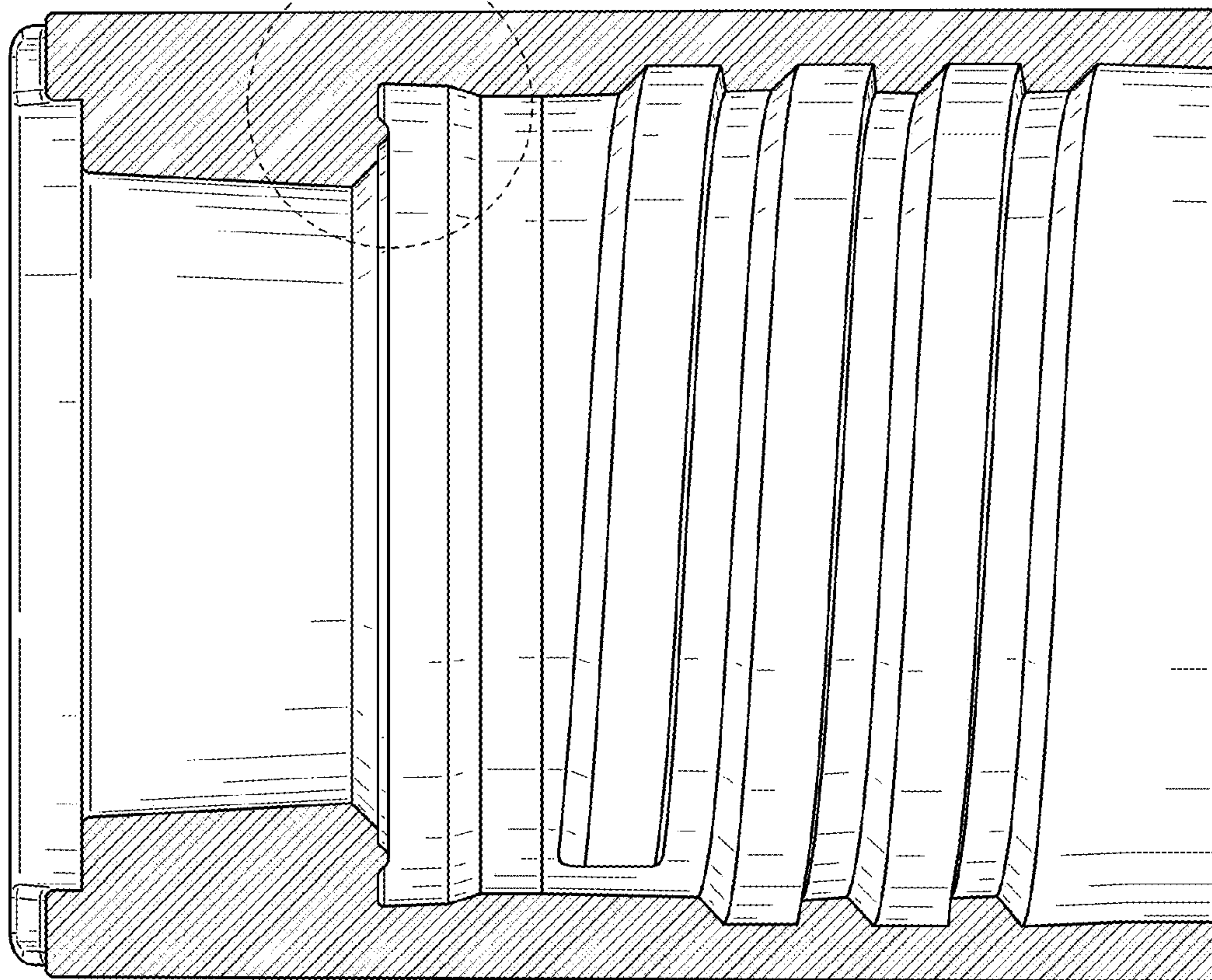


FIG. 3

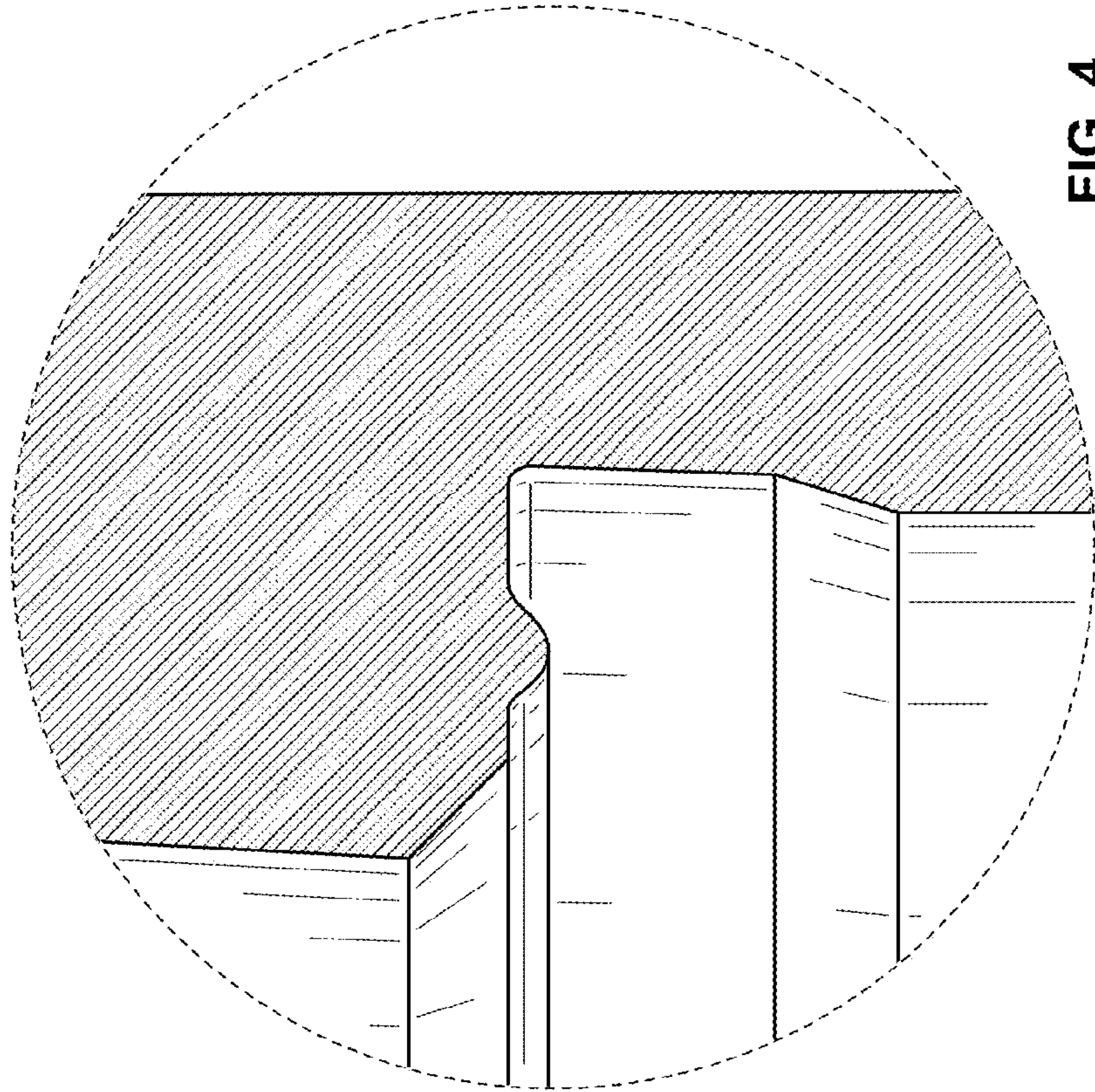


FIG. 4

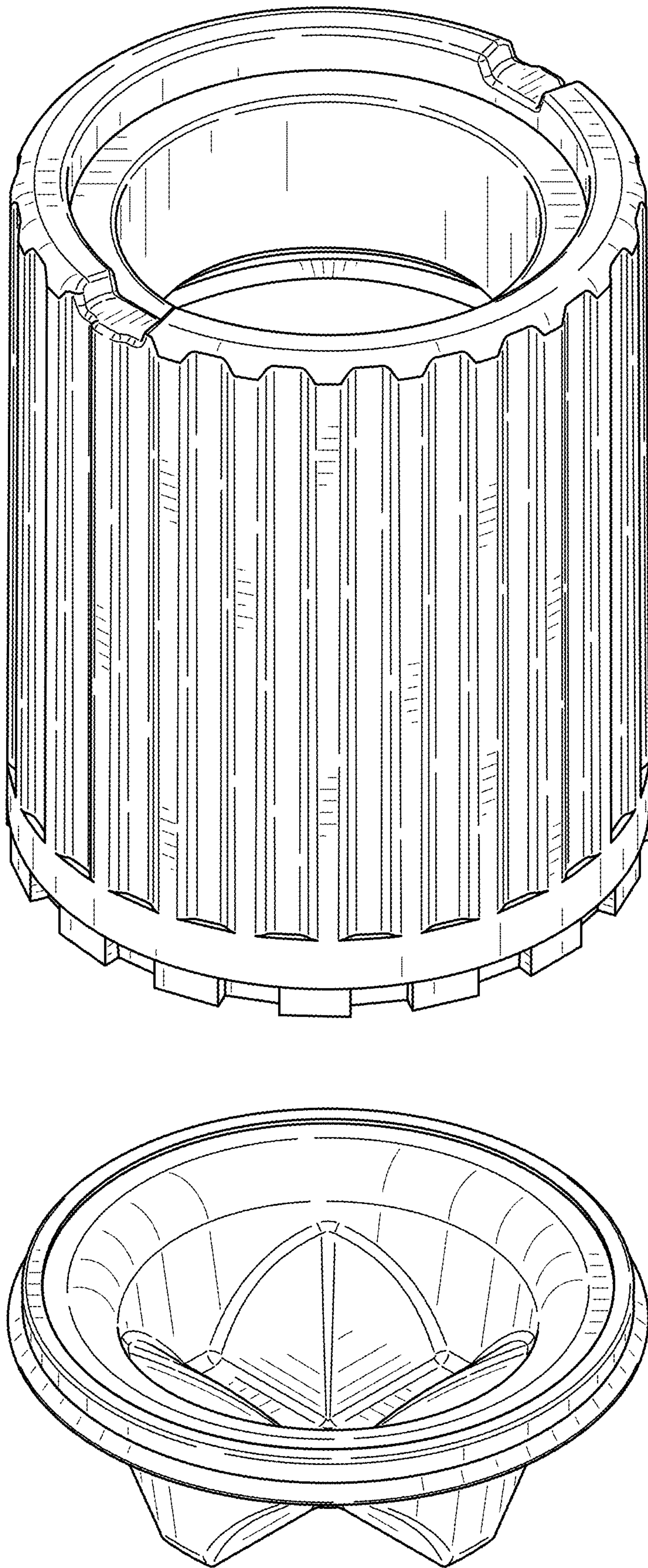


FIG. 5

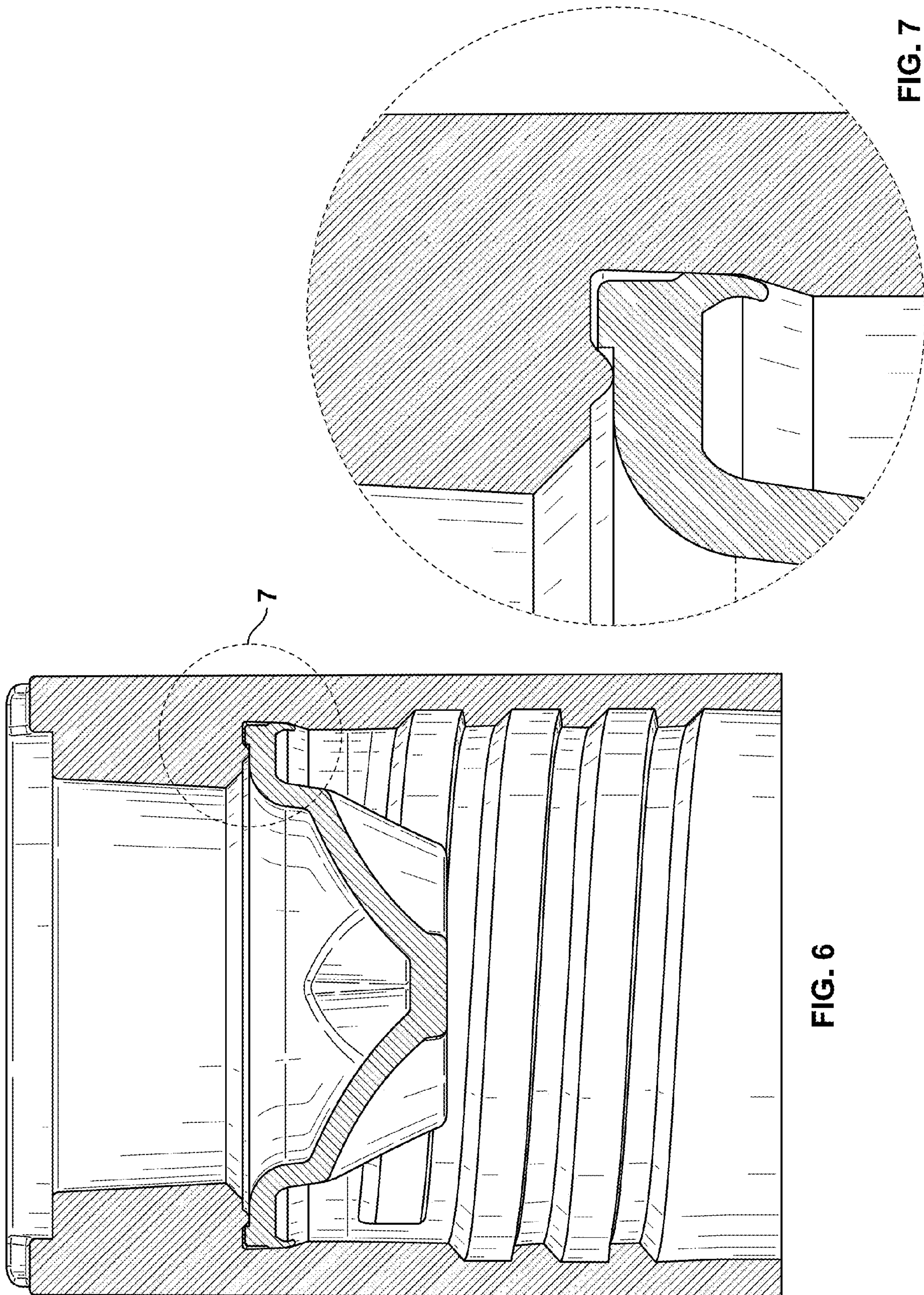


FIG. 7

FIG. 6

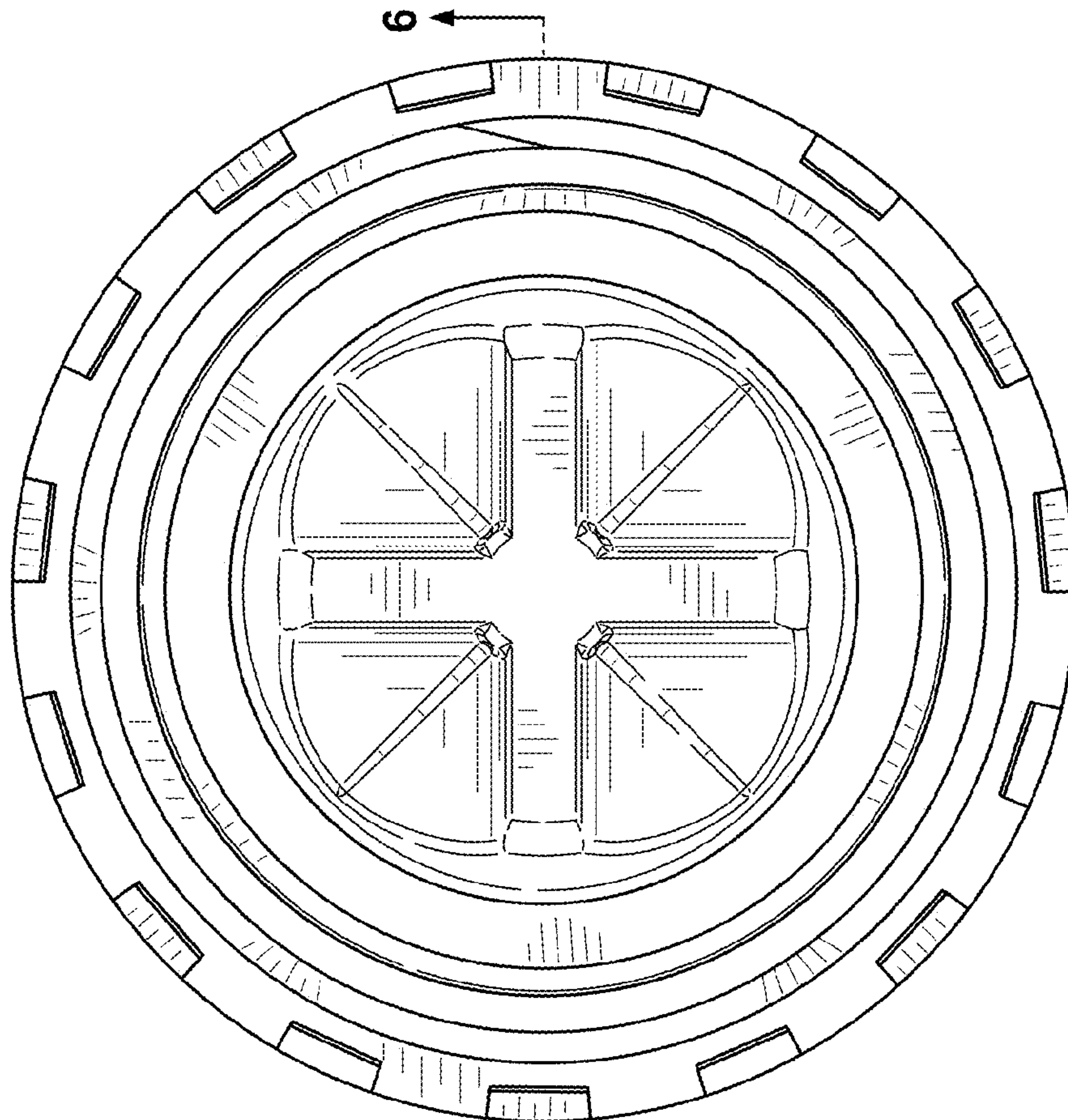


FIG. 9

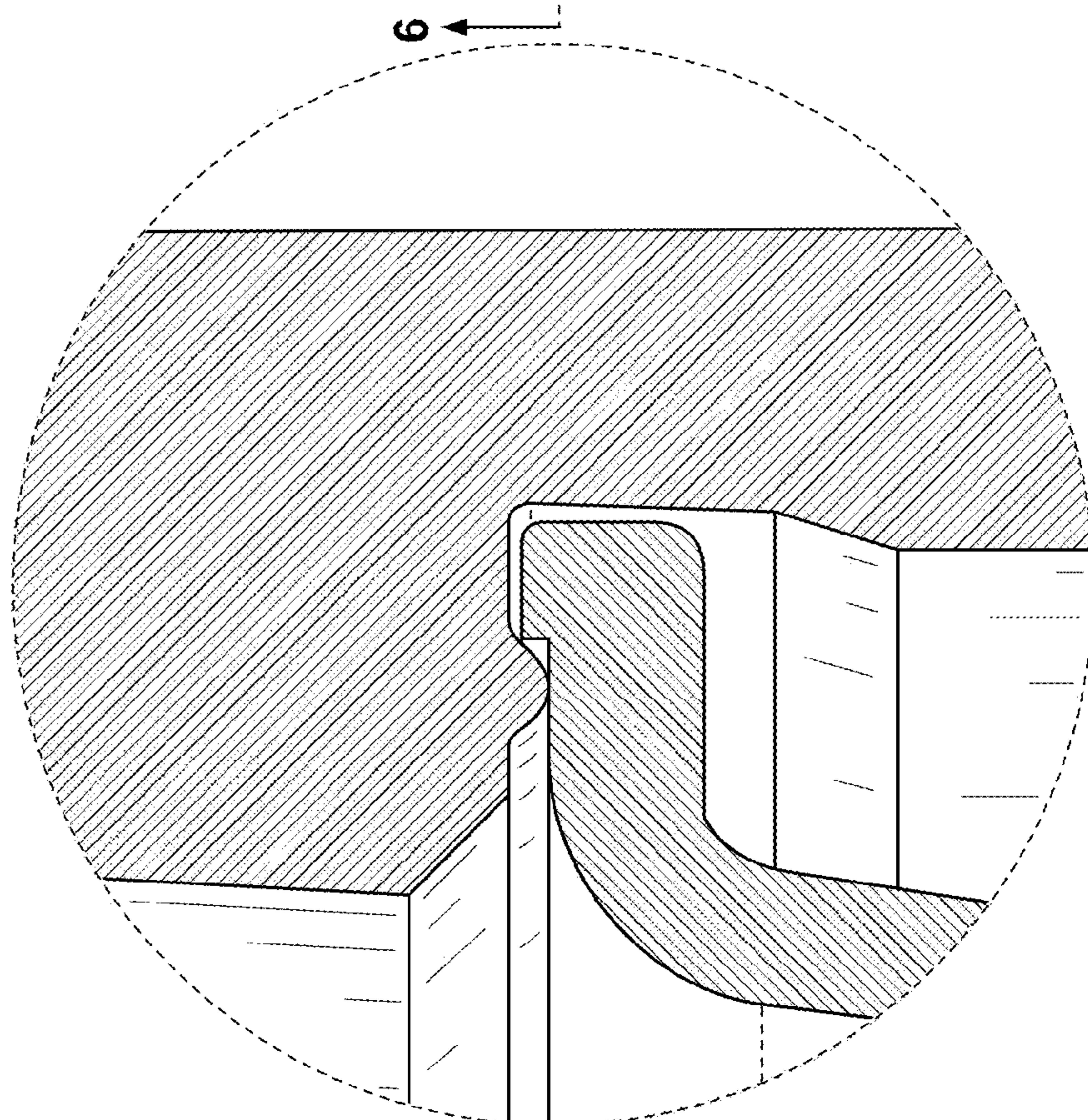


FIG. 8

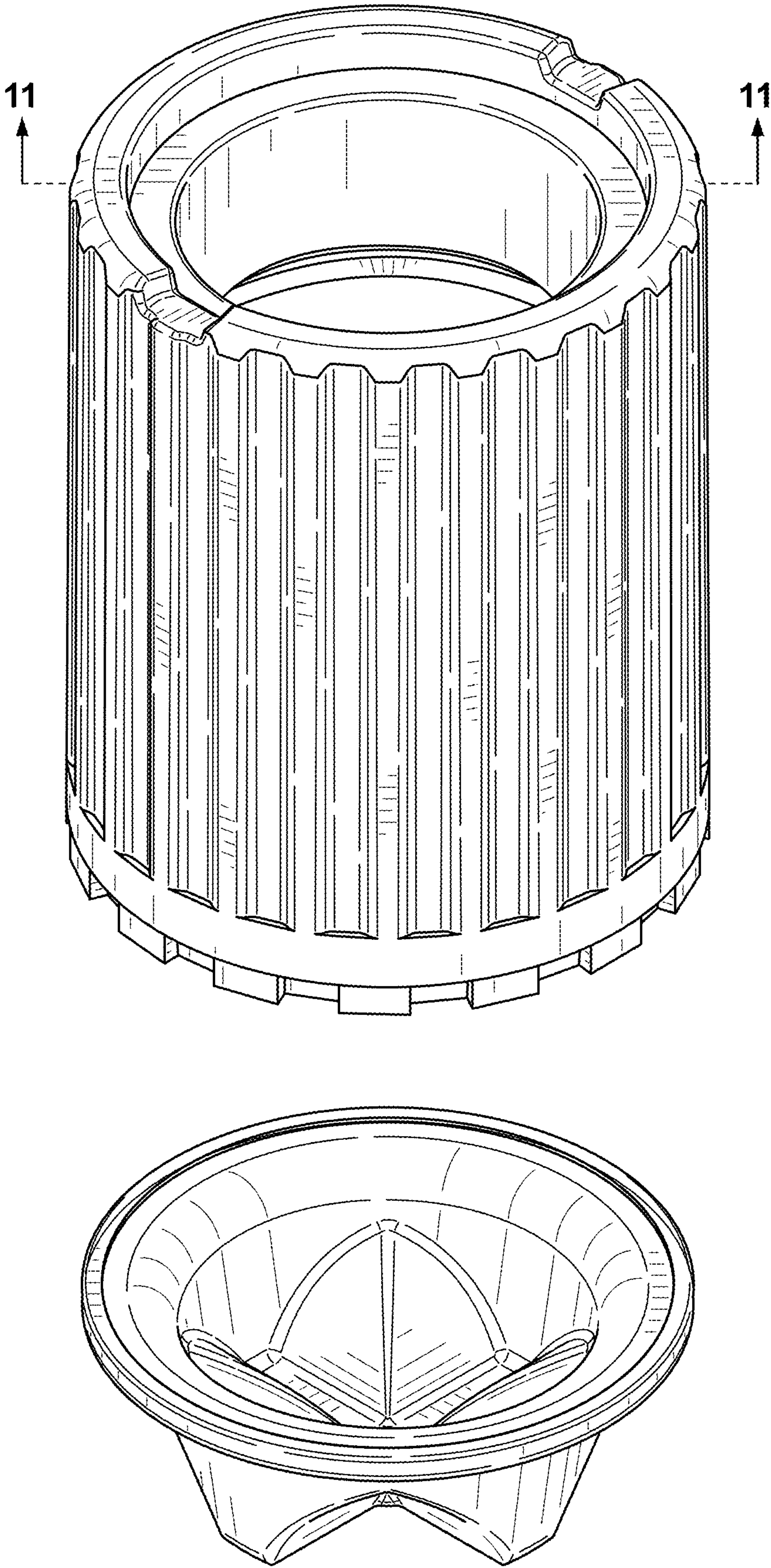


FIG. 10

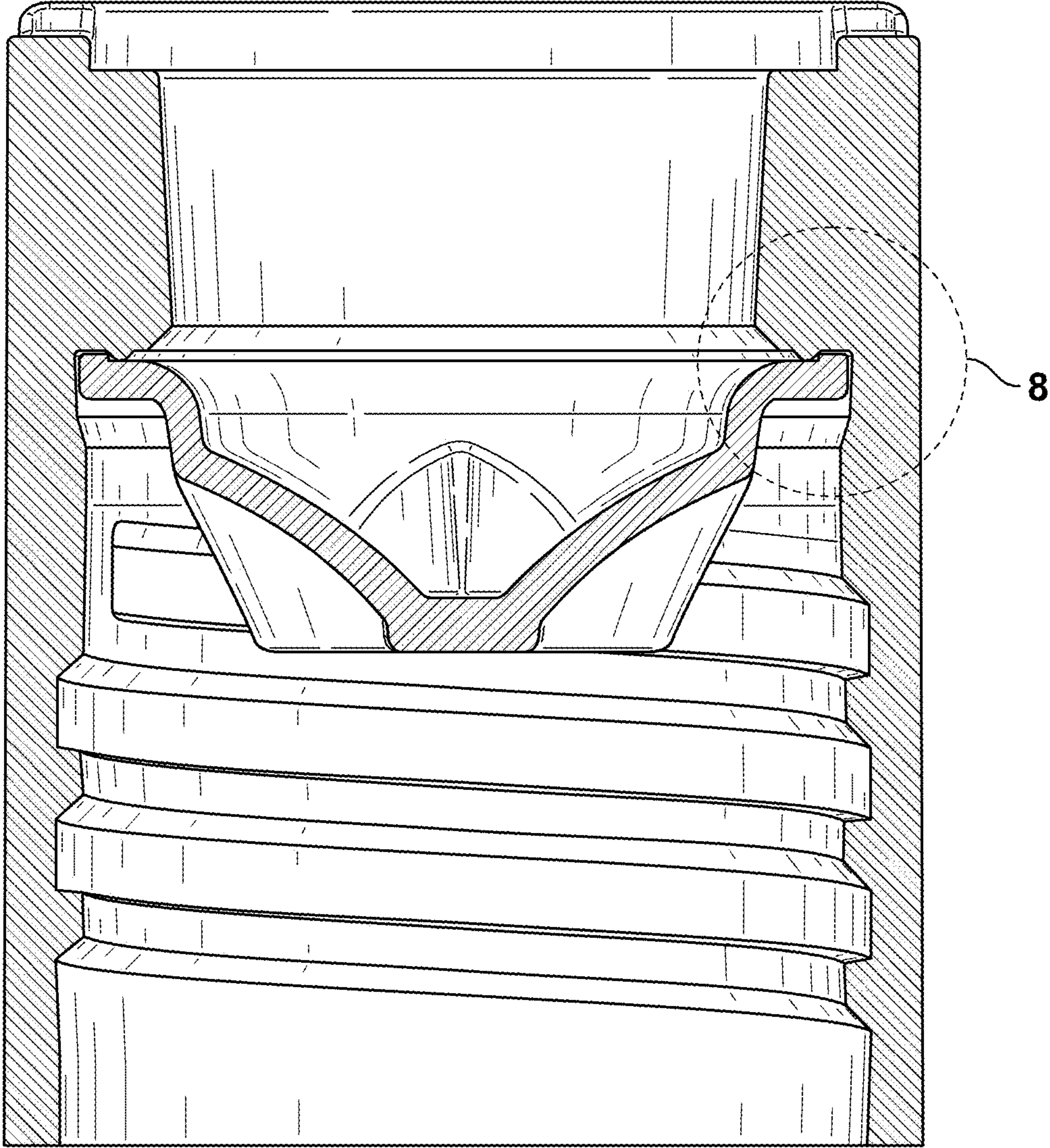


FIG. 11