



US00D923811S

(12) **United States Design Patent**
Chen

(10) **Patent No.:** **US D923,811 S**

(45) **Date of Patent:** **** Jun. 29, 2021**

(54) **STERILIZER**

(71) Applicant: **SHENZHEN HYGEEA TECHNOLOGY CO., LTD**, Shenzhen (CN)

(72) Inventor: **Rong Chen**, Shenzhen (CN)

(**) Term: **15 Years**

(21) Appl. No.: **29/734,477**

(22) Filed: **May 13, 2020**

(51) **LOC (13) Cl.** **24-01**

(52) **U.S. Cl.**
USPC **D24/217**

(58) **Field of Classification Search**
USPC D24/107, 216, 217, 218, 231, 232, 234, D24/133; D26/37; D32/1
CPC ... A61L 2/025; A61L 2/07; A61L 2/10; A61L 2/18; A61L 2/24; A61L 2/26; A61L 2202/10; A61L 2202/11; A61L 2202/14; A61L 2202/23; A61L 2202/24; A61L 2202/122; A61L 2202/182
See application file for complete search history.

(56) **References Cited**

U.S. PATENT DOCUMENTS

D485,364 S * 1/2004 Lee D24/217
7,888,657 B1 * 2/2011 Zadro A61L 2/10
250/455.11

D841,180 S * 2/2019 Latchman-Bloom D24/217
D846,142 S * 4/2019 Yellen D24/217
D870,313 S * 12/2019 Ou Yang D24/217
D898,219 S * 10/2020 Xie D24/217

* cited by examiner

Primary Examiner — Anhdao Doan

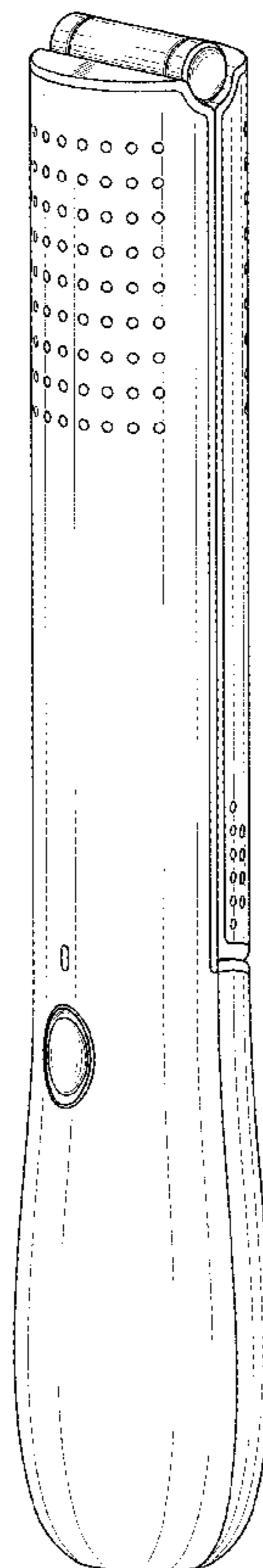
(57) **CLAIM**

The ornamental design for a sterilizer, as shown and described.

DESCRIPTION

FIG. 1 is a perspective view of a sterilizer showing my new design;
FIG. 2 is a perspective view thereof with the sterilizer in its open position;
FIG. 3 is a front view thereof;
FIG. 4 is a rear view thereof;
FIG. 5 is a left side view thereof;
FIG. 6 is a right side view thereof;
FIG. 7 is a top plan view thereof; and,
FIG. 8 is a bottom plan view thereof.
The broken lines in the figures illustrate portions of the sterilizer that form no part of the claimed design.

1 Claim, 8 Drawing Sheets



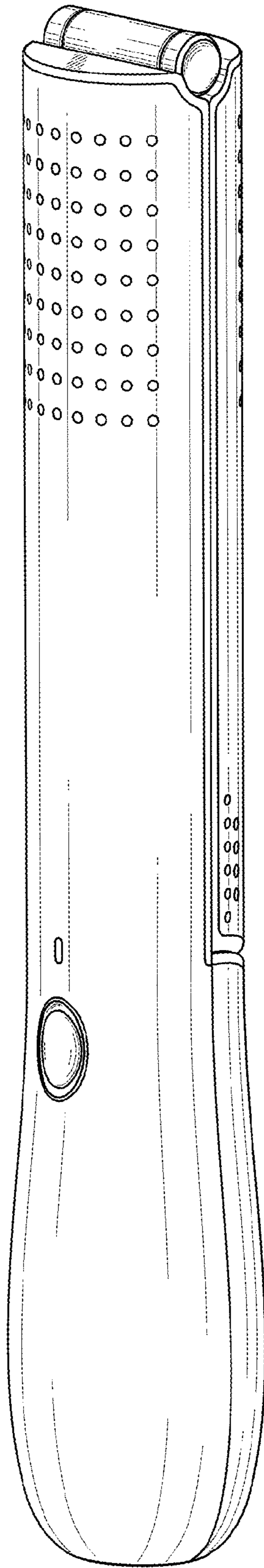


FIG. 1

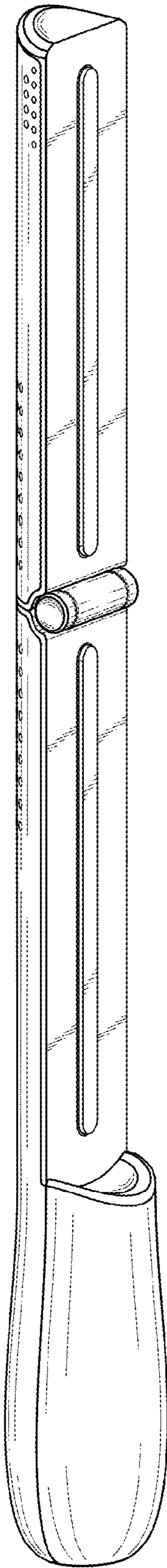


FIG. 2

3/8

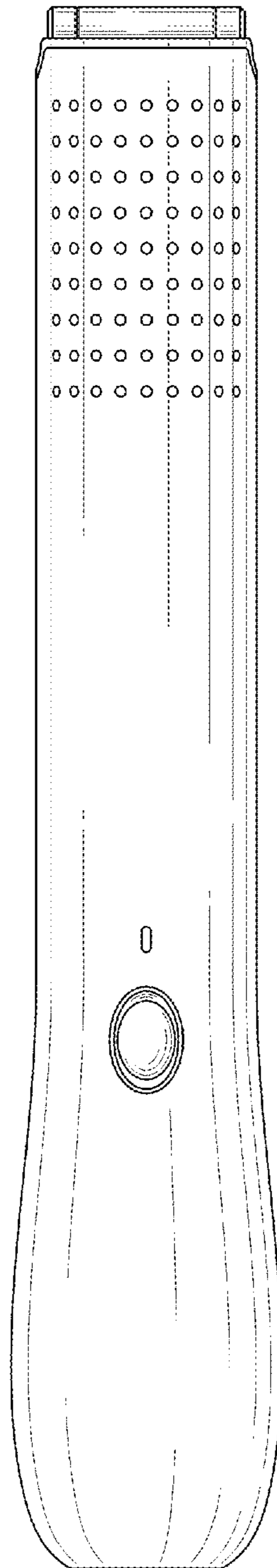


FIG. 3

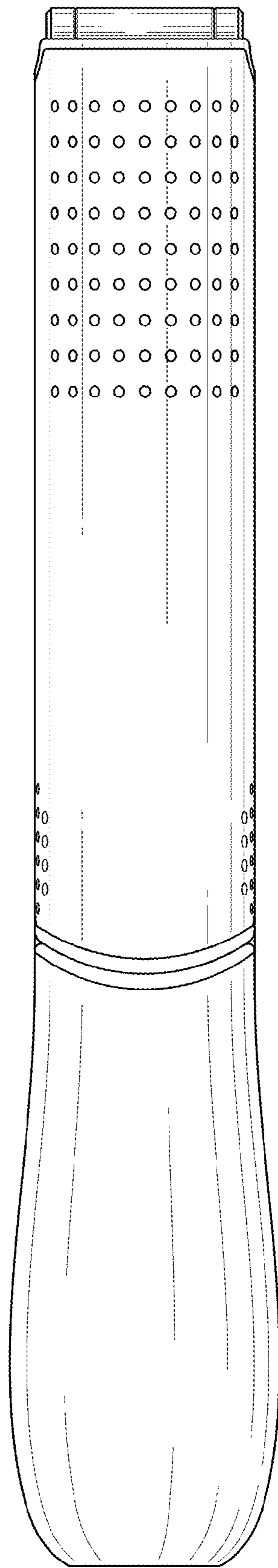


FIG. 4

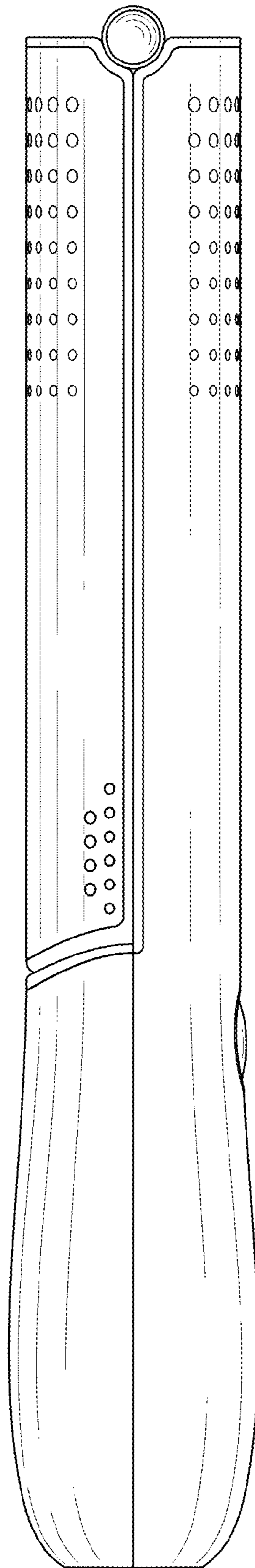


FIG. 5

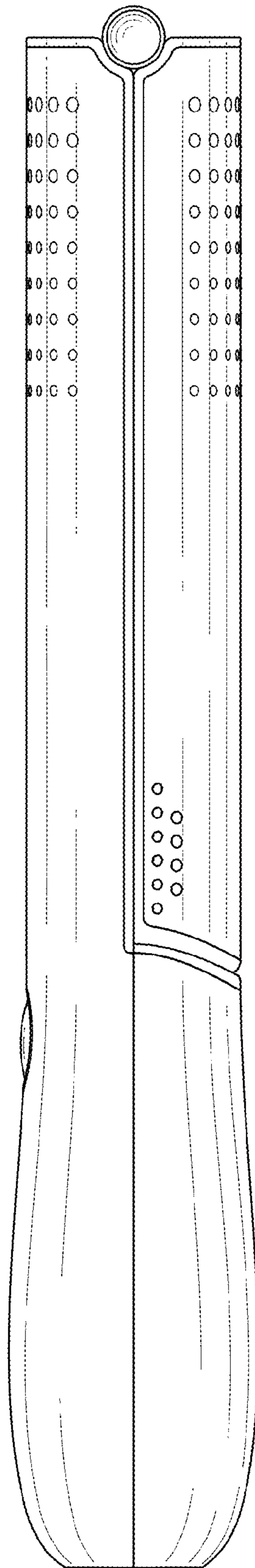


FIG. 6

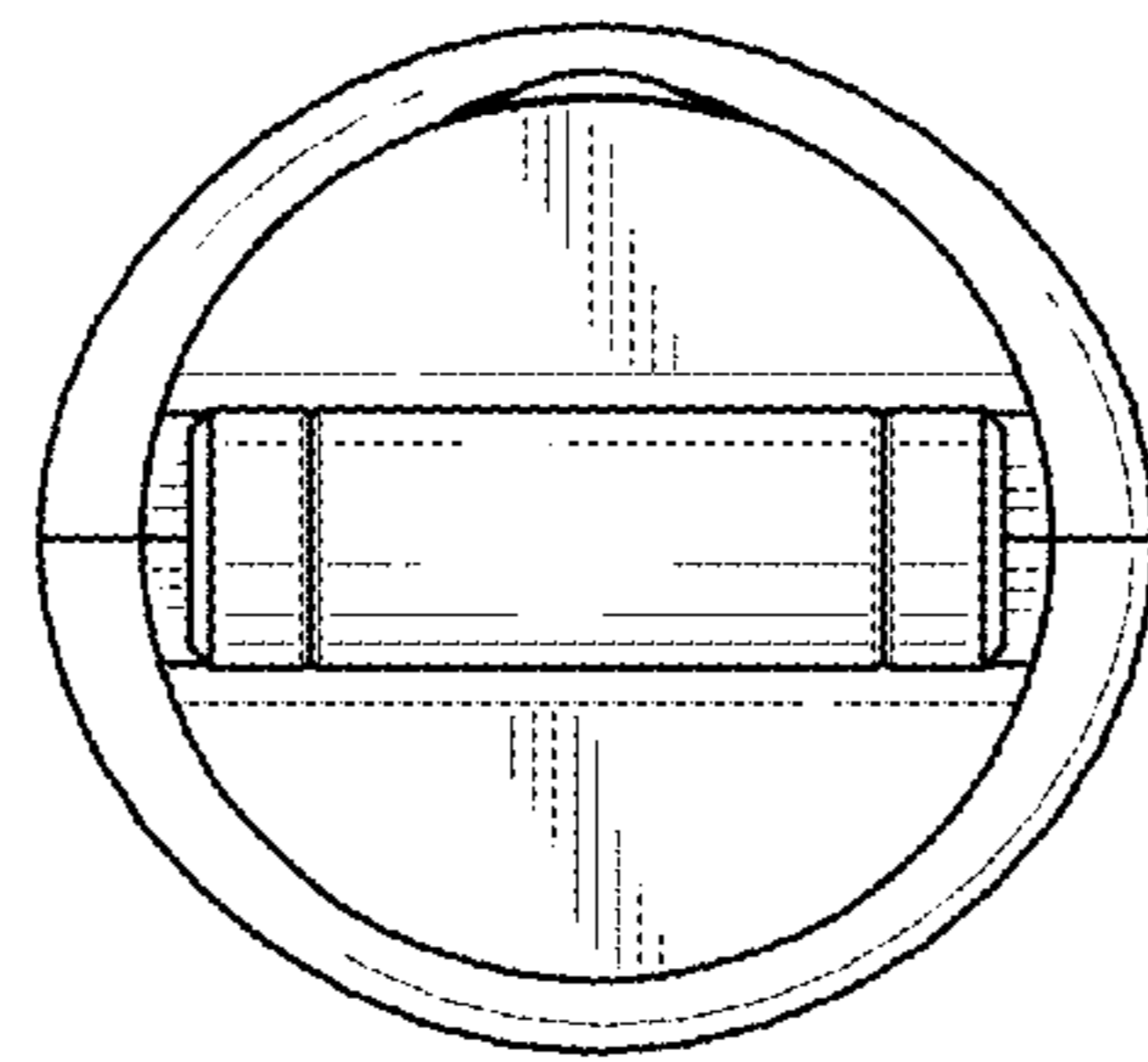


FIG. 7

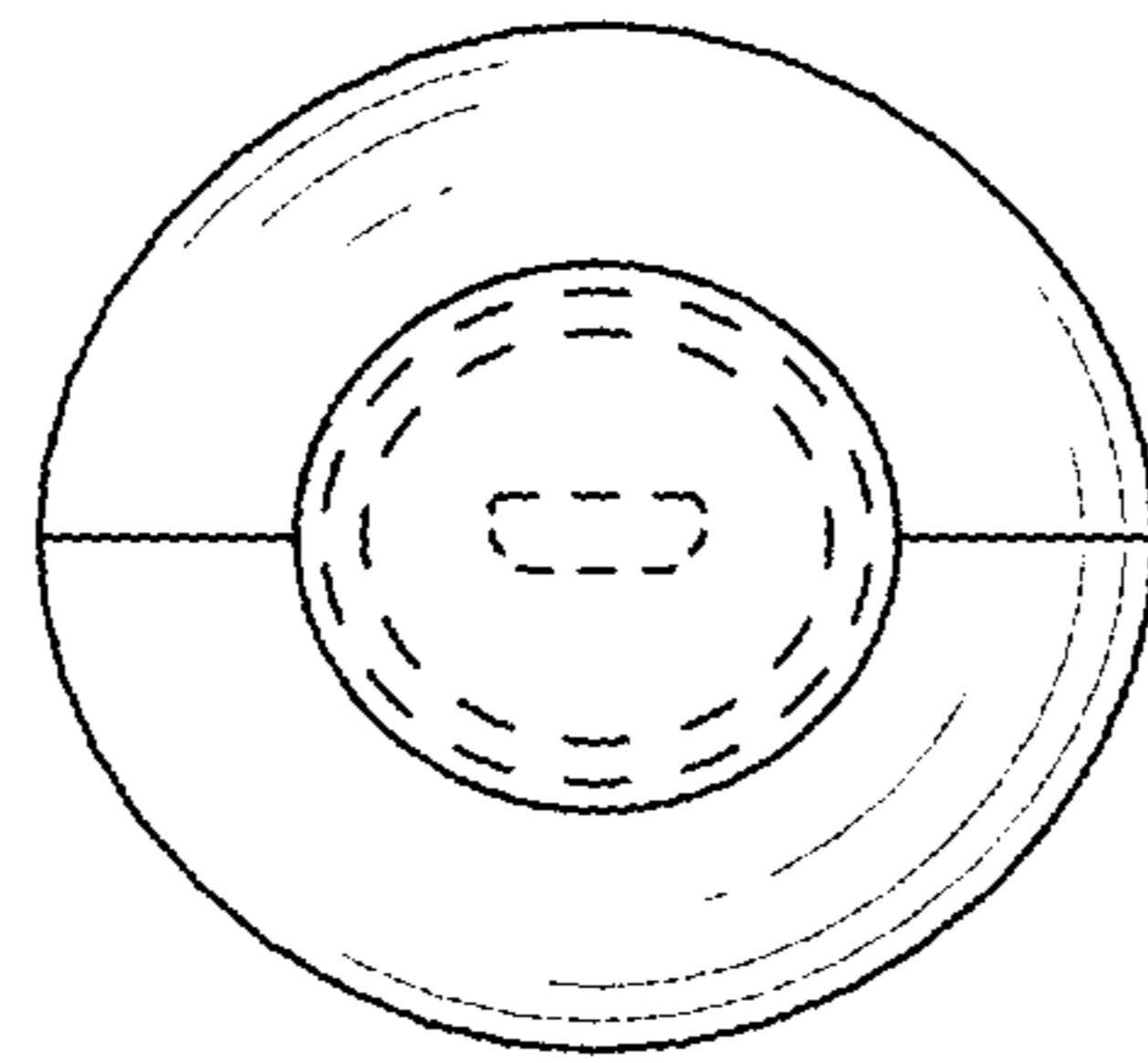


FIG. 8