



US00D923810S

(12) **United States Design Patent**  
**Cai**

(10) **Patent No.:** **US D923,810 S**

(45) **Date of Patent:** **\*\* Jun. 29, 2021**

(54) **ULTRAVIOLET STERILIZER FOR A CELL PHONE**

(71) Applicant: **Yong-Yue Cai**, Nin-Bo (CN)

(72) Inventor: **Yong-Yue Cai**, Nin-Bo (CN)

(\*\*) Term: **15 Years**

(21) Appl. No.: **29/734,035**

(22) Filed: **May 8, 2020**

(51) **LOC (13) Cl.** ..... **24-01**

(52) **U.S. Cl.**  
USPC ..... **D24/217**

(58) **Field of Classification Search**  
USPC ..... D24/107, 216, 217, 218, 231, 232, 234;  
D32/1; D3/201, 203.1, 294; D14/253  
CPC ... A61L 2/025; A61L 2/07; A61L 2/10; A61L  
2/18; A61L 2/24; A61L 2/26; A61L  
2202/10; A61L 2202/11; A61L 2202/14;  
A61L 2202/23; A61L 2202/24; A61L  
2202/122; A61L 2202/182  
See application file for complete search history.

(56) **References Cited**

**U.S. PATENT DOCUMENTS**

D421,309 S \* 2/2000 Riley ..... D24/217  
D622,406 S \* 8/2010 Russell, II ..... D24/217  
D664,528 S \* 7/2012 Chen ..... D14/253  
D809,152 S \* 1/2018 Chan ..... D24/217  
D841,181 S \* 2/2019 Byun ..... D24/217

D885,603 S \* 5/2020 Zhang ..... D24/217  
D896,979 S \* 9/2020 Schumaier ..... D24/217  
2013/0063922 A1\* 3/2013 La Porte ..... A61L 2/10  
361/807  
2021/0041170 A1\* 2/2021 Schumaier ..... A61L 2/10

\* cited by examiner

*Primary Examiner* — Anhdao Doan

(74) *Attorney, Agent, or Firm* — Lin & Associates IP, Inc.

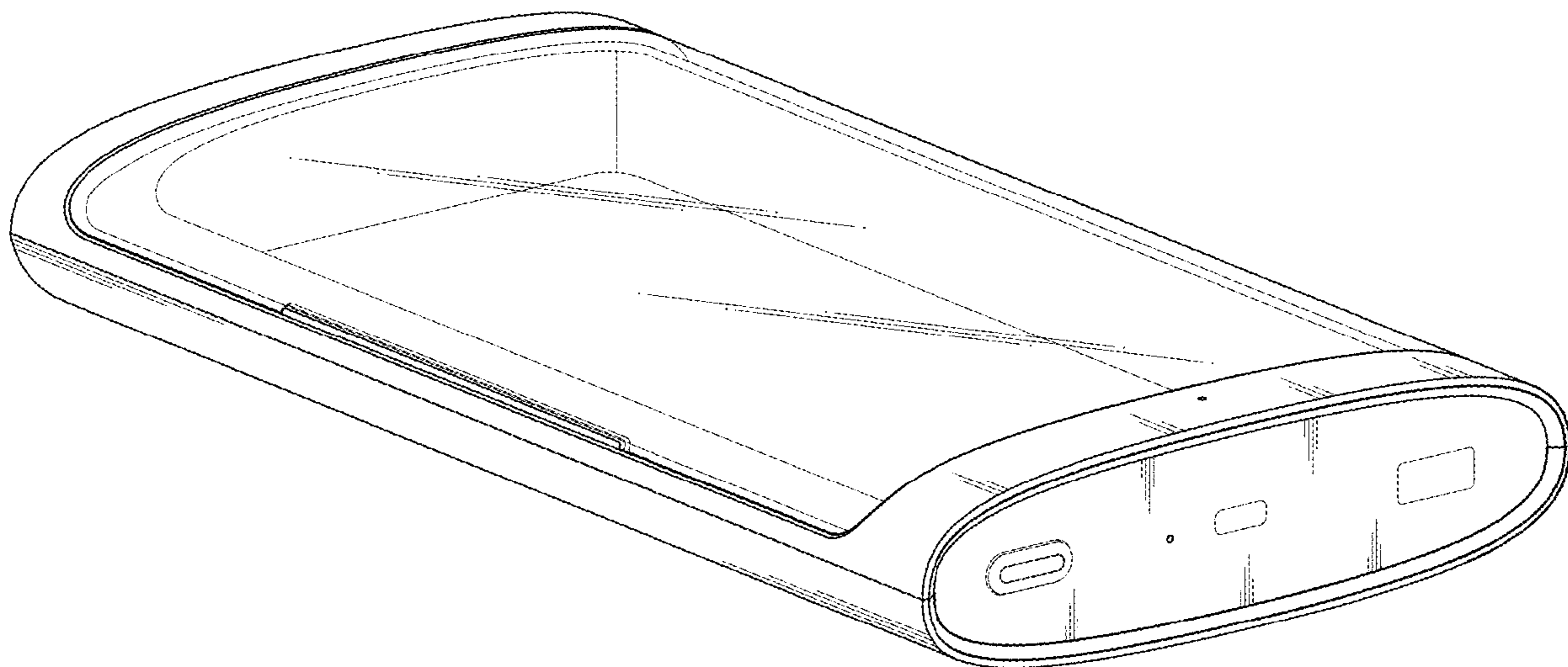
(57) **CLAIM**

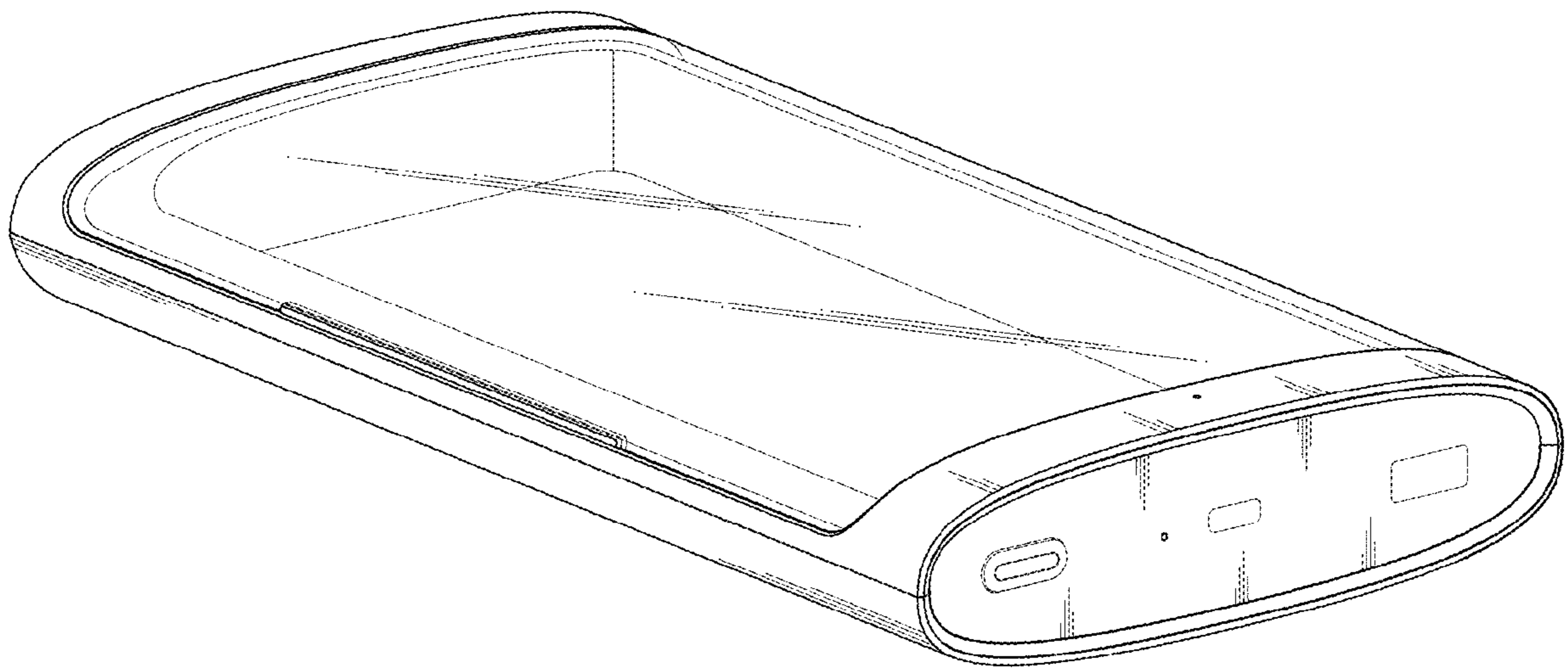
The ornamental design for an ultraviolet sterilizer for a cell phone, as shown and described.

**DESCRIPTION**

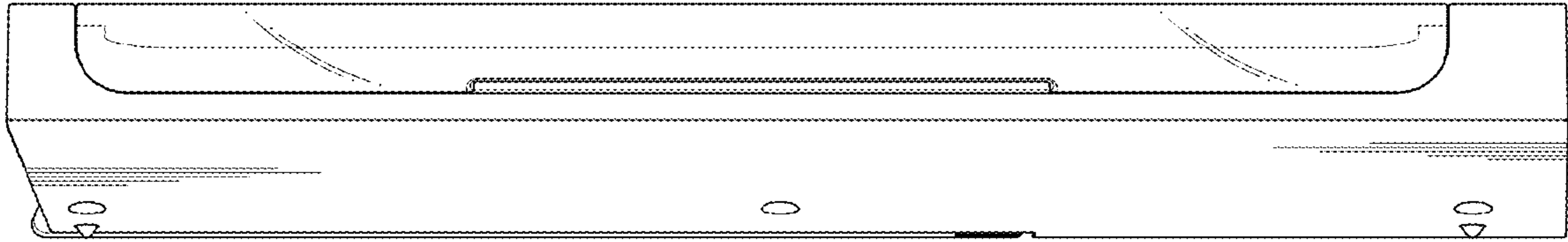
FIG. 1 is a perspective view of an ultraviolet sterilizer for a cell phone showing my new design;  
FIG. 2 is a front elevational view thereof;  
FIG. 3 is a rear elevational view thereof;  
FIG. 4 is a left elevational view thereof;  
FIG. 5 is a right elevational view thereof;  
FIG. 6 is a top view thereof;  
FIG. 7 is a bottom view thereof;  
FIG. 8 is a perspective view of the ultraviolet sterilizer viewed from another direction showing that a supporting leg is expanded; and,  
FIG. 9 is a perspective view of the ultraviolet sterilizer showing that a cover is opened.

**1 Claim, 7 Drawing Sheets**

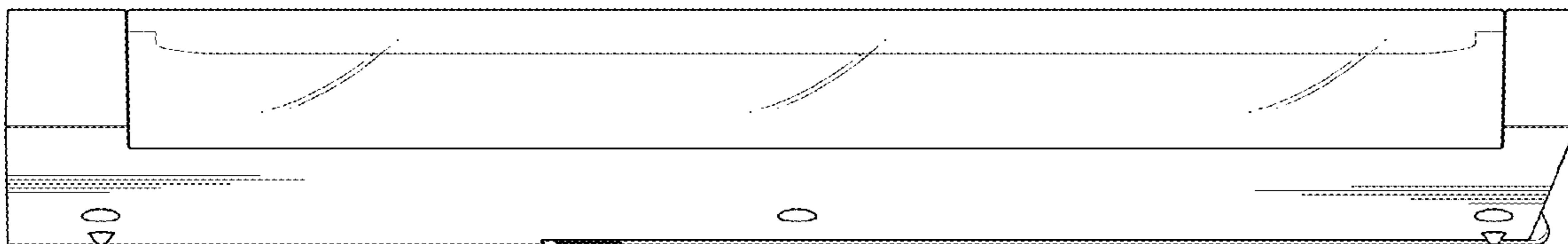




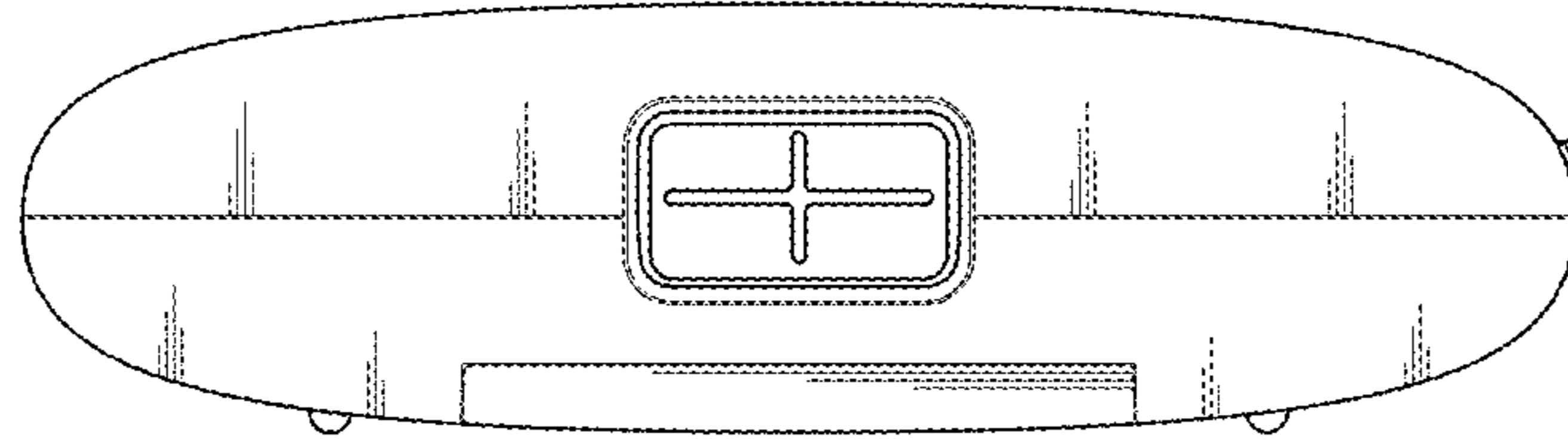
**FIG. 1**



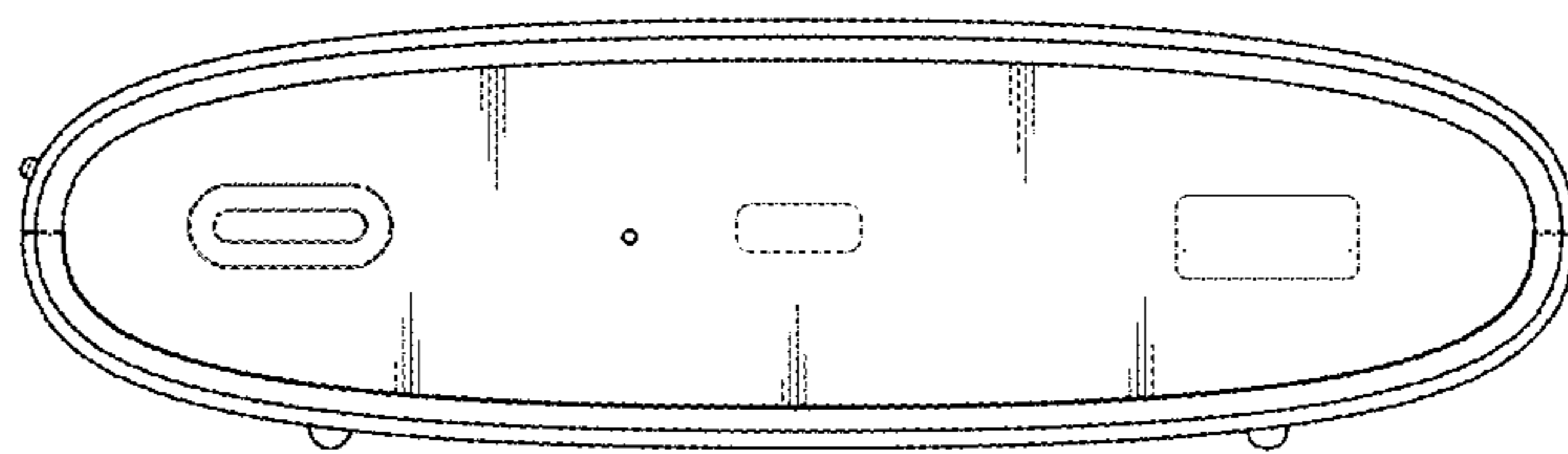
**FIG. 2**



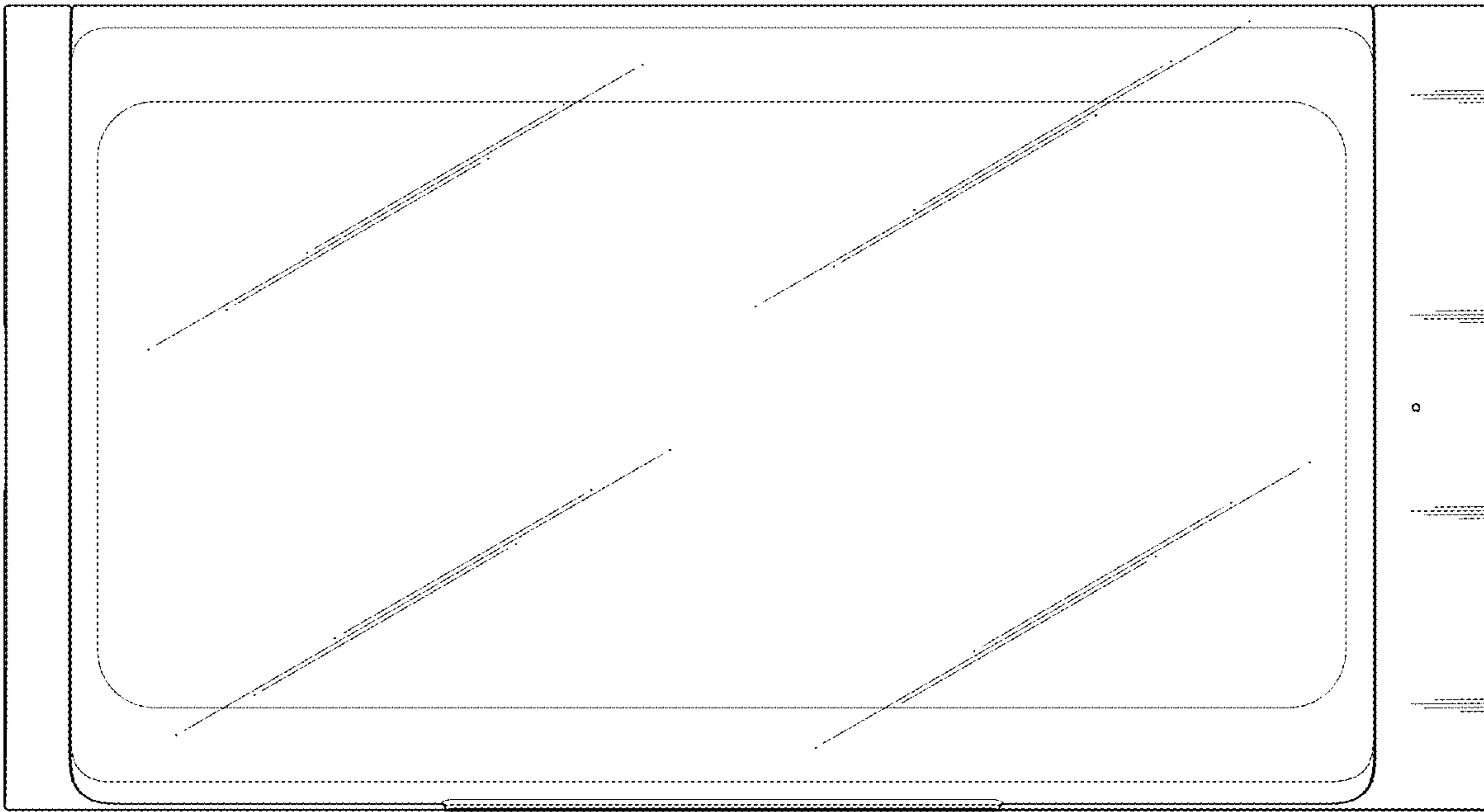
**FIG. 3**



**FIG. 4**



**FIG. 5**



**FIG. 6**

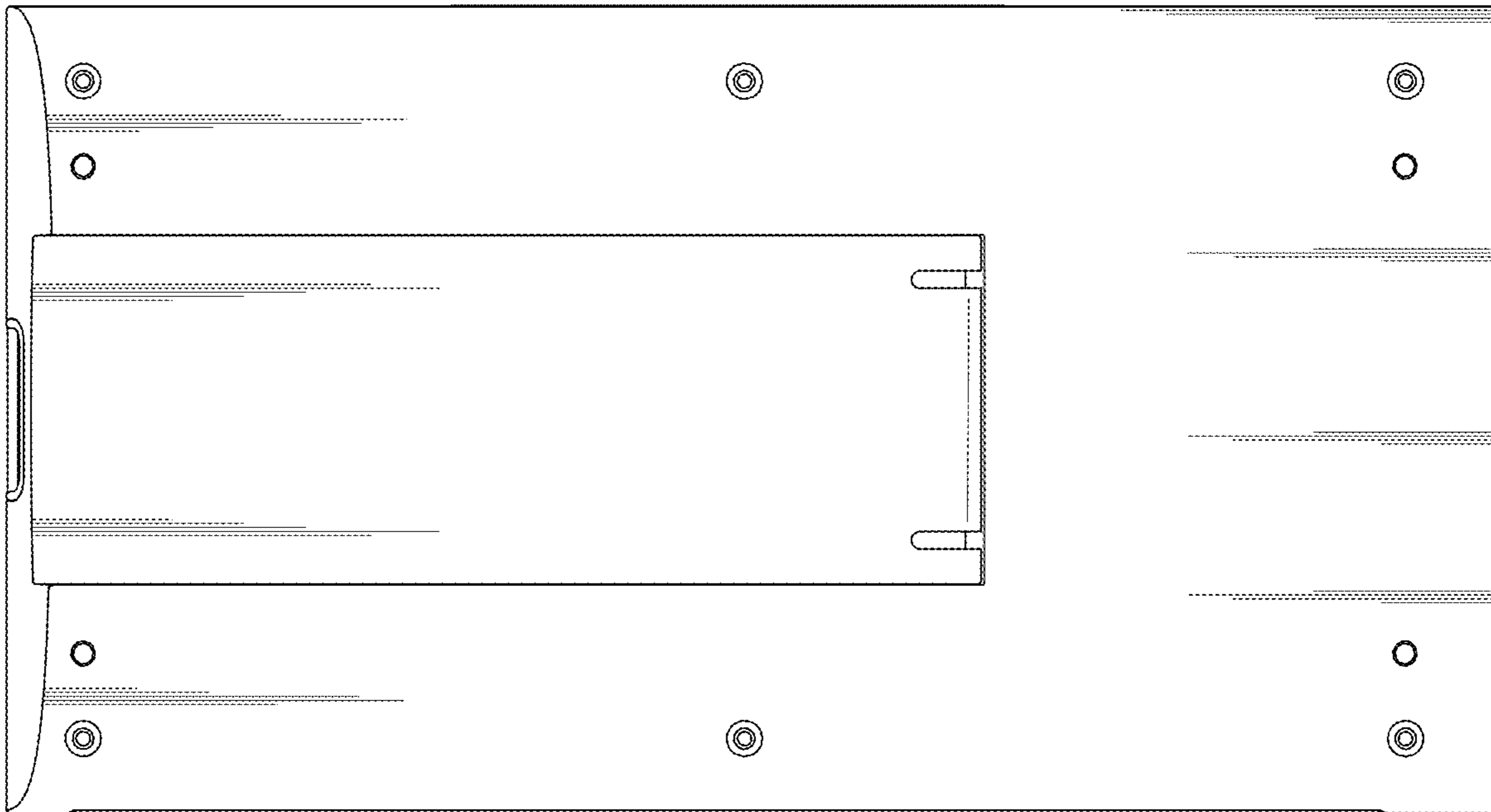
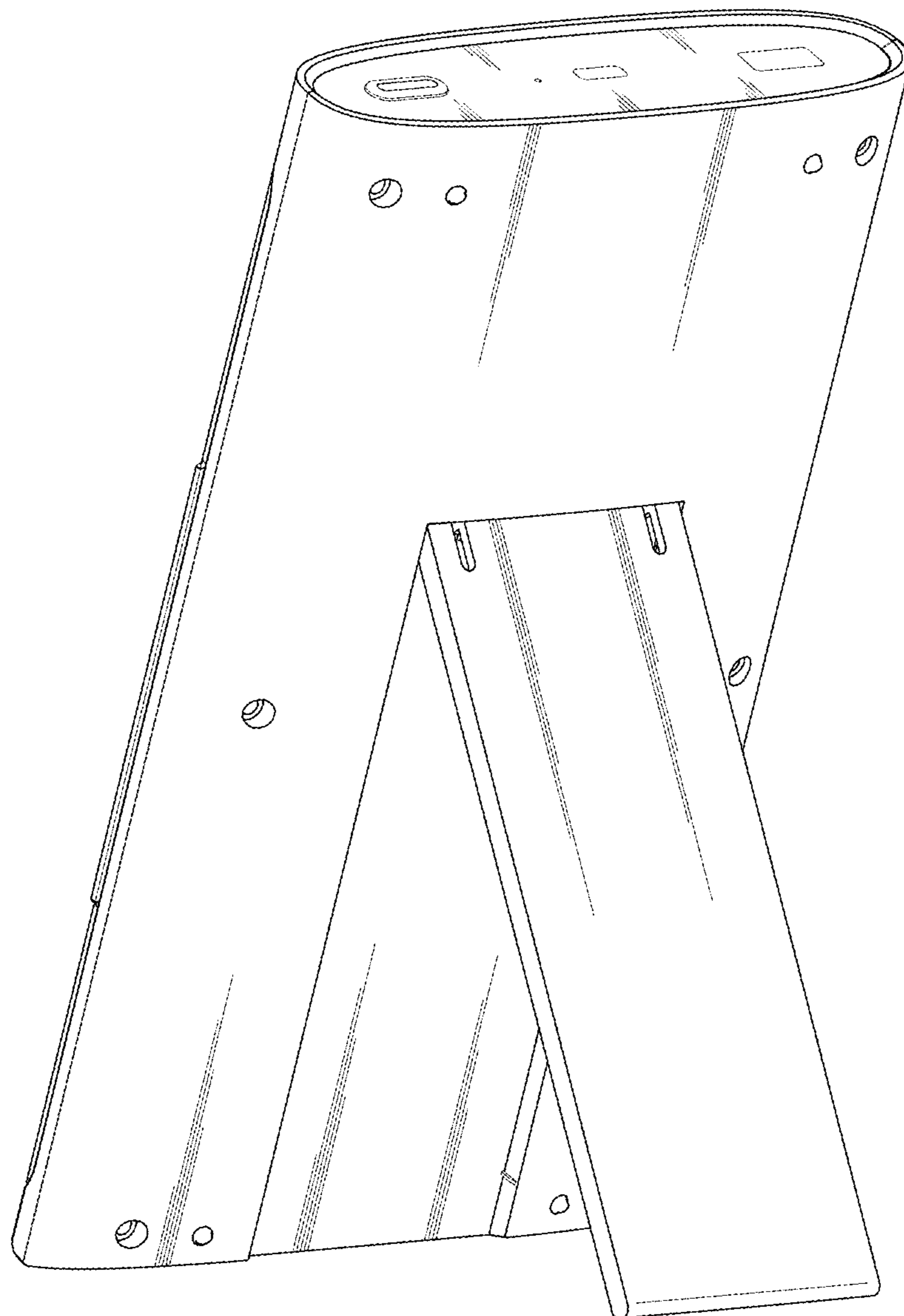
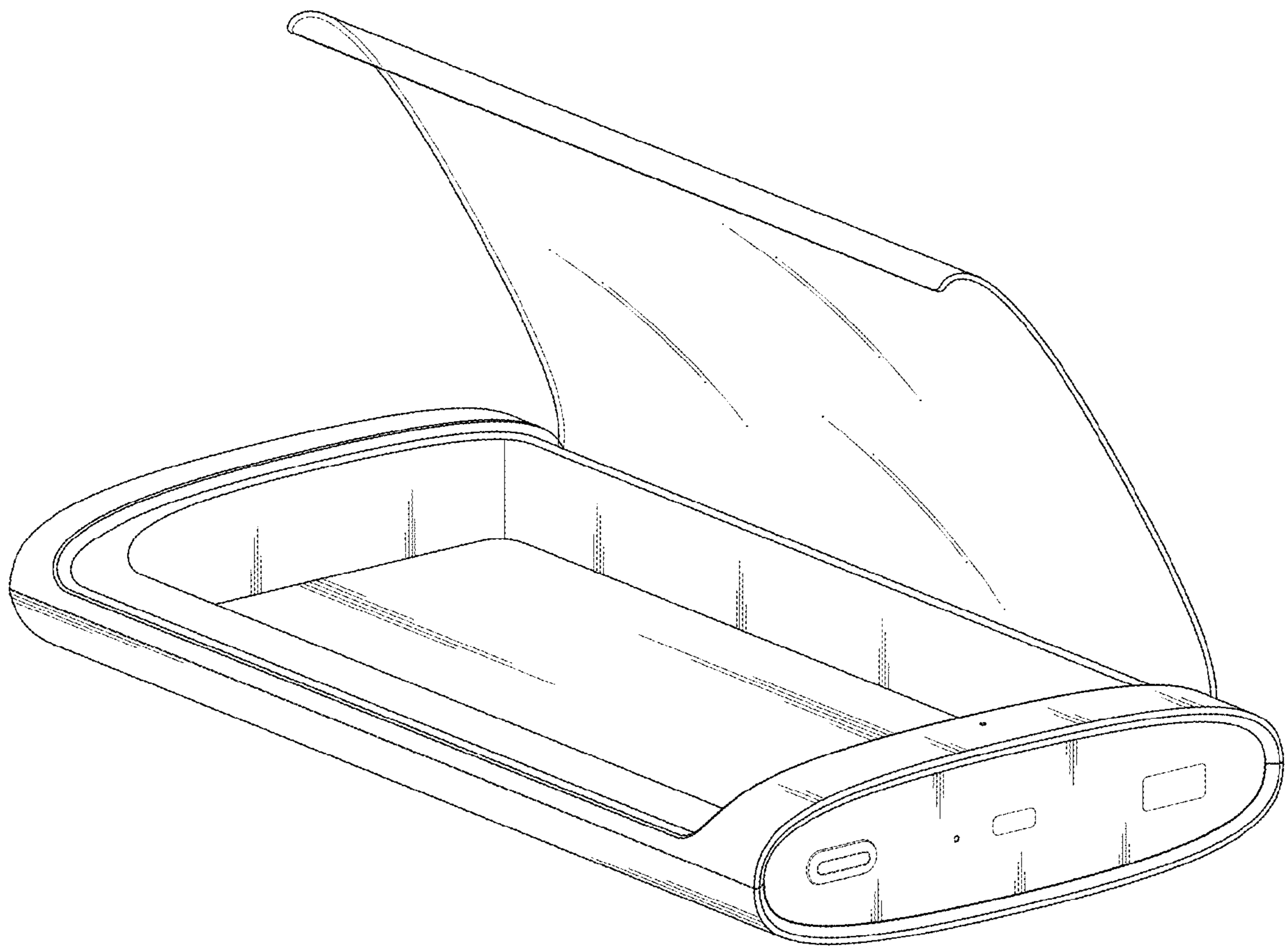


FIG. 7



**FIG. 8**



**FIG. 9**