



US00D923809S

(12) **United States Design Patent**
Lucio

(10) **Patent No.:** **US D923,809 S**
(45) **Date of Patent:** **** Jun. 29, 2021**

(54) **HANDHELD DISINFECTION DEVICE**
(71) Applicant: **3B Medical, Inc.**, Winter Haven, FL
(US)
(72) Inventor: **Albert A. Lucio**, Haines City, FL (US)
(73) Assignee: **3B Medical, Inc.**, Winter Haven, FL
(US)
(**) Term: **15 Years**

(21) Appl. No.: **29/732,176**
(22) Filed: **Apr. 22, 2020**
(51) **LOC (13) Cl.** **24-01**
(52) **U.S. Cl.**
USPC **D24/217**
(58) **Field of Classification Search**
USPC D24/107, 216, 217, 218, 231, 232, 234,
D24/133; D26/37; D32/1
CPC ... A61L 2/025; A61L 2/07; A61L 2/10; A61L
2/18; A61L 2/24; A61L 2/26; A61L
2202/10; A61L 2202/11; A61L 2202/14;
A61L 2202/23; A61L 2202/24; A61L
2202/122; A61L 2202/182
See application file for complete search history.

(56) **References Cited**
U.S. PATENT DOCUMENTS
D485,364 S * 1/2004 Lee D24/217
7,888,657 B1 * 2/2011 Zadro A61L 2/10
250/455.11

D652,529 S * 1/2012 Eum D24/217
D870,313 S * 12/2019 Ou Yang D24/217
D876,663 S * 2/2020 Yellen D24/217
D886,989 S * 6/2020 Lucio D24/127
D898,219 S * 10/2020 Xie D24/217
10,905,785 B2 * 2/2021 Lucio A61M 16/0066
2008/0260601 A1 10/2008 Lyon

* cited by examiner

Primary Examiner — Anhdao Doan

(74) *Attorney, Agent, or Firm* — Carlson, Gaskey & Olds,
P.C.

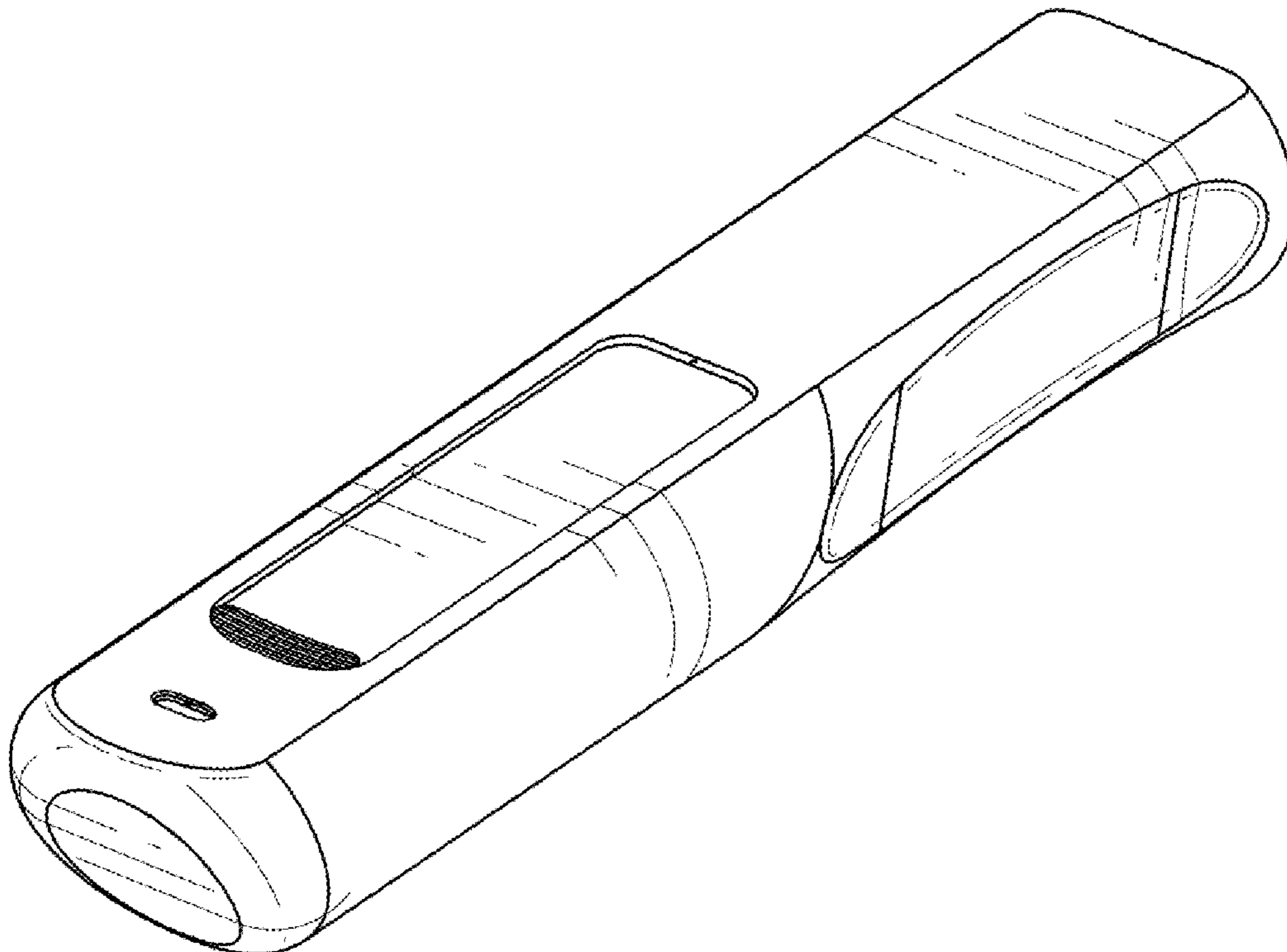
(57) **CLAIM**

I claim the ornamental design of a handheld disinfection device, as shown and described.

DESCRIPTION

FIG. 1 is a perspective view from a first end of a handheld disinfection device, with a shade in a closed position; FIG. 2 is a perspective view from a second end thereof; FIG. 3 is a first end view thereof; FIG. 4 is a second end view thereof; FIG. 5 is a bottom view thereof; FIG. 6 is a top view thereof; FIG. 7 is a first side view thereof; FIG. 8 is a second side view thereof; FIG. 9 is a perspective view of the device from the first end, similar to FIG. 1, with the shade in a fully open position; and, FIG. 10 is a bottom view of the device, similar to FIG. 5, with the shade in the fully open position.

1 Claim, 3 Drawing Sheets



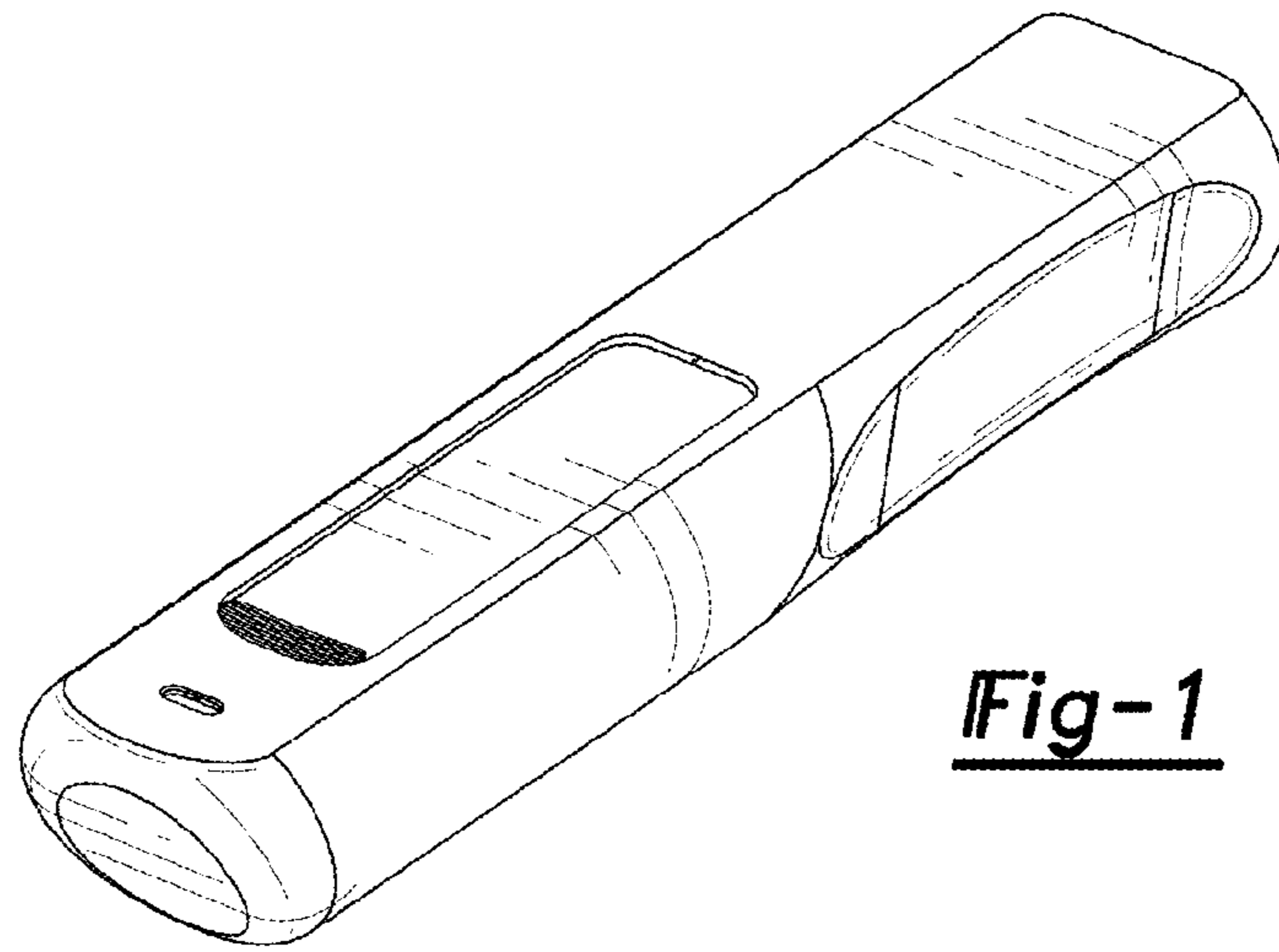


Fig-1

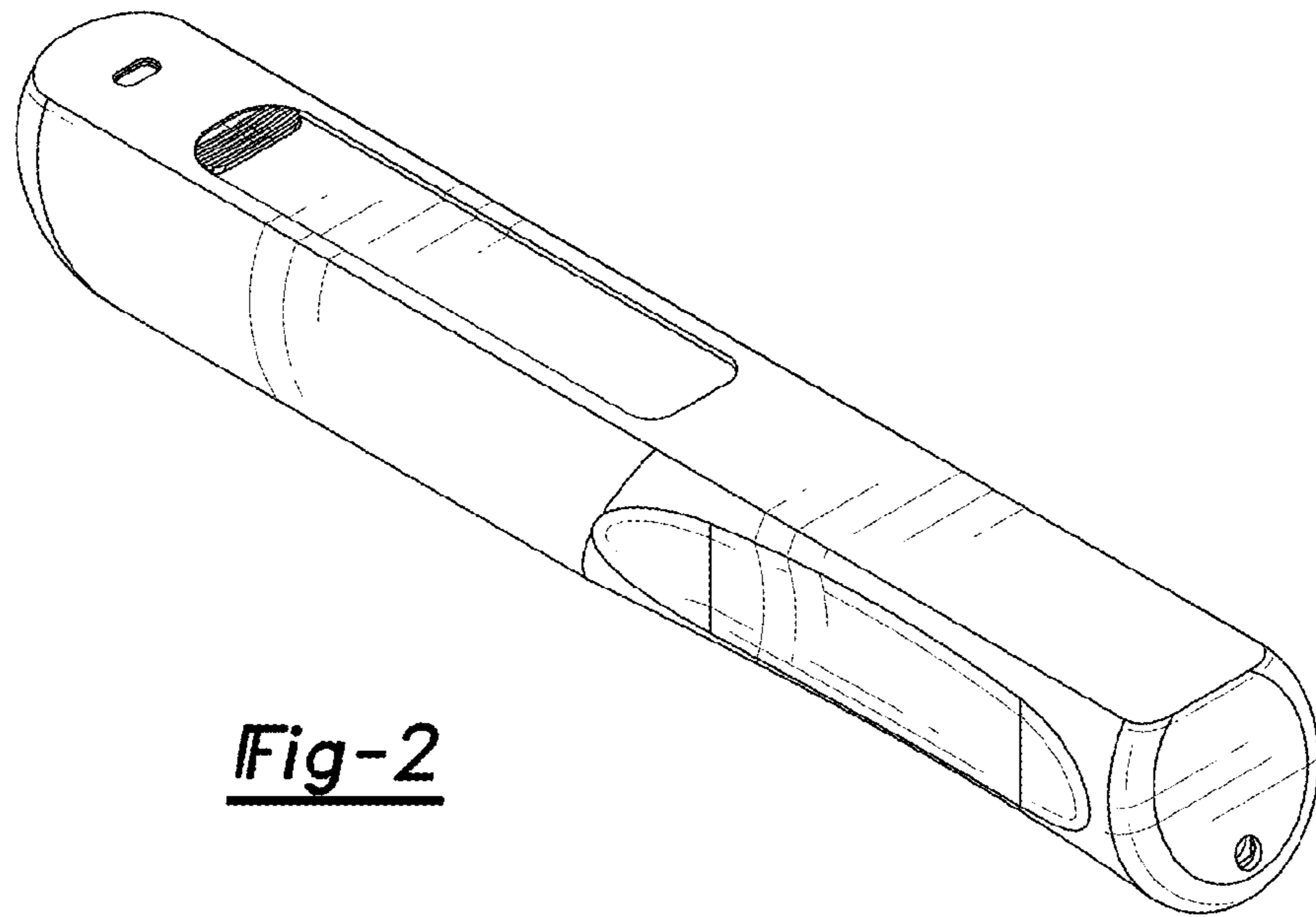


Fig-2

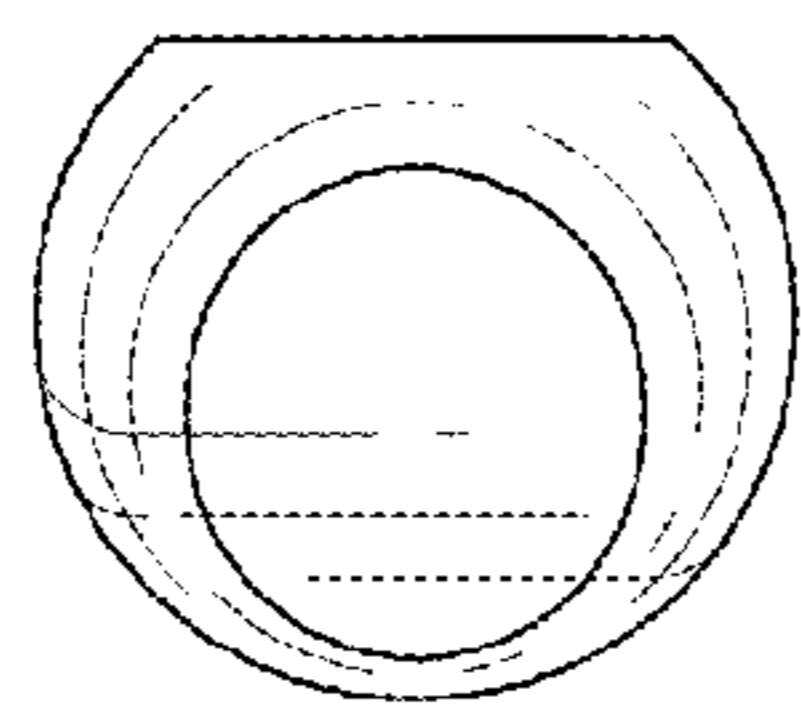


Fig-3

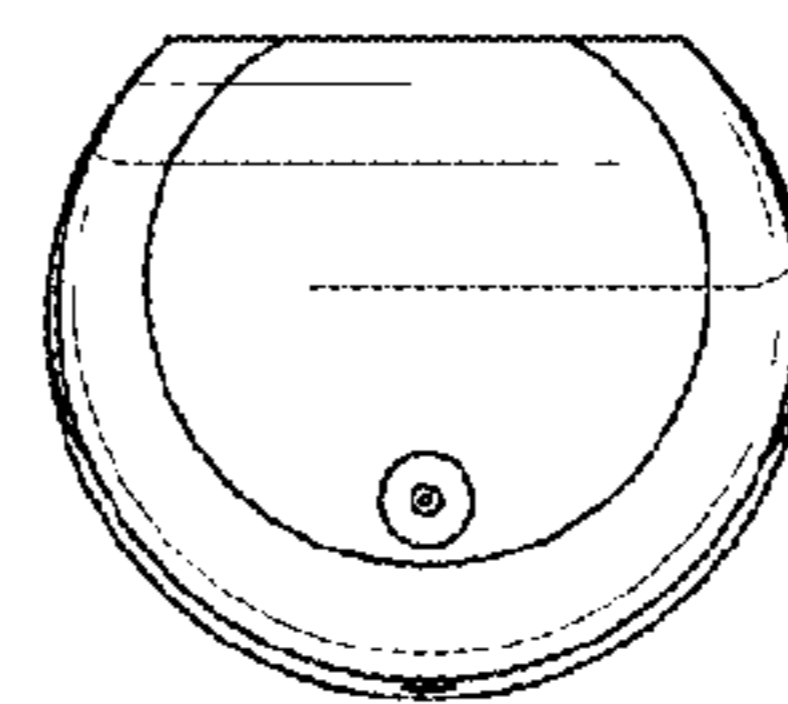


Fig-4

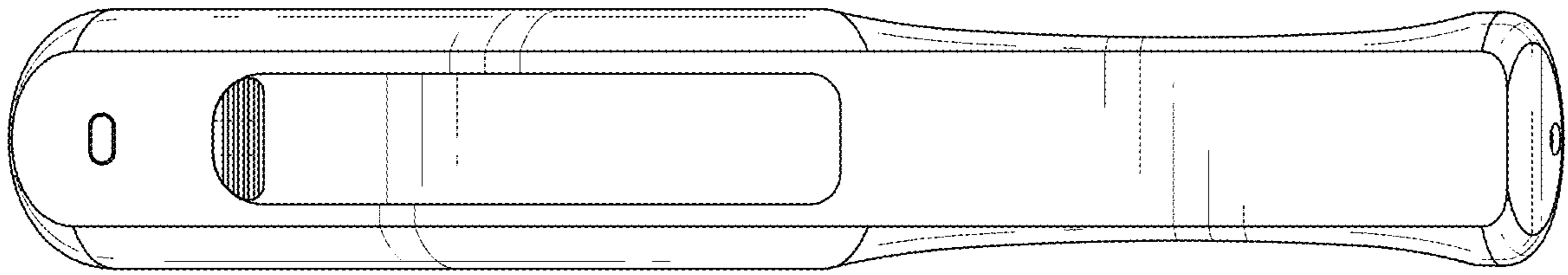


Fig-5

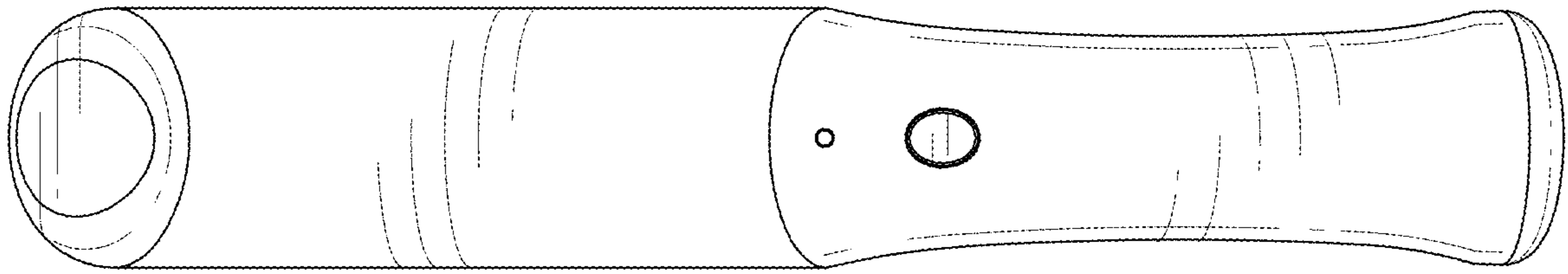


Fig-6

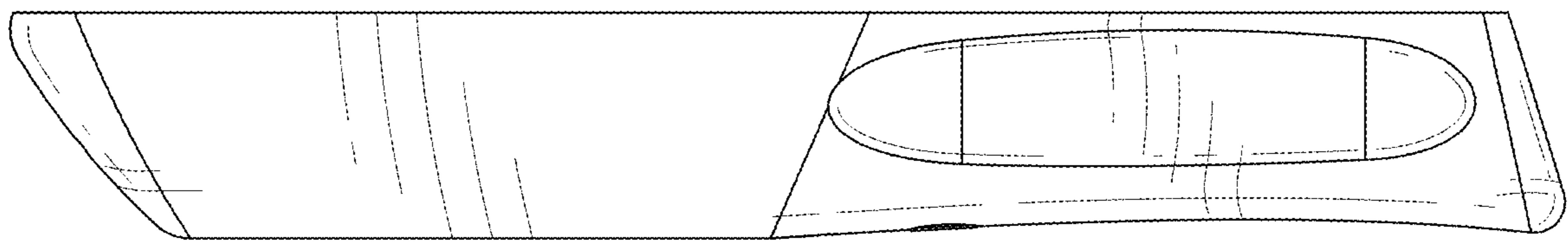


Fig-7

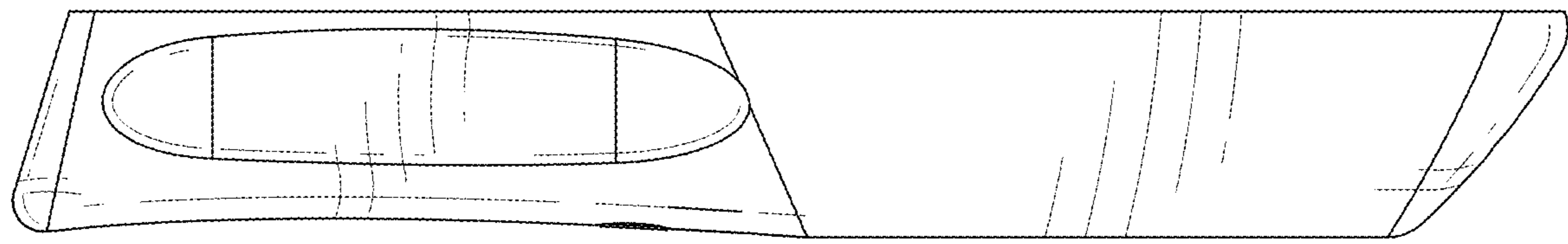


Fig-8

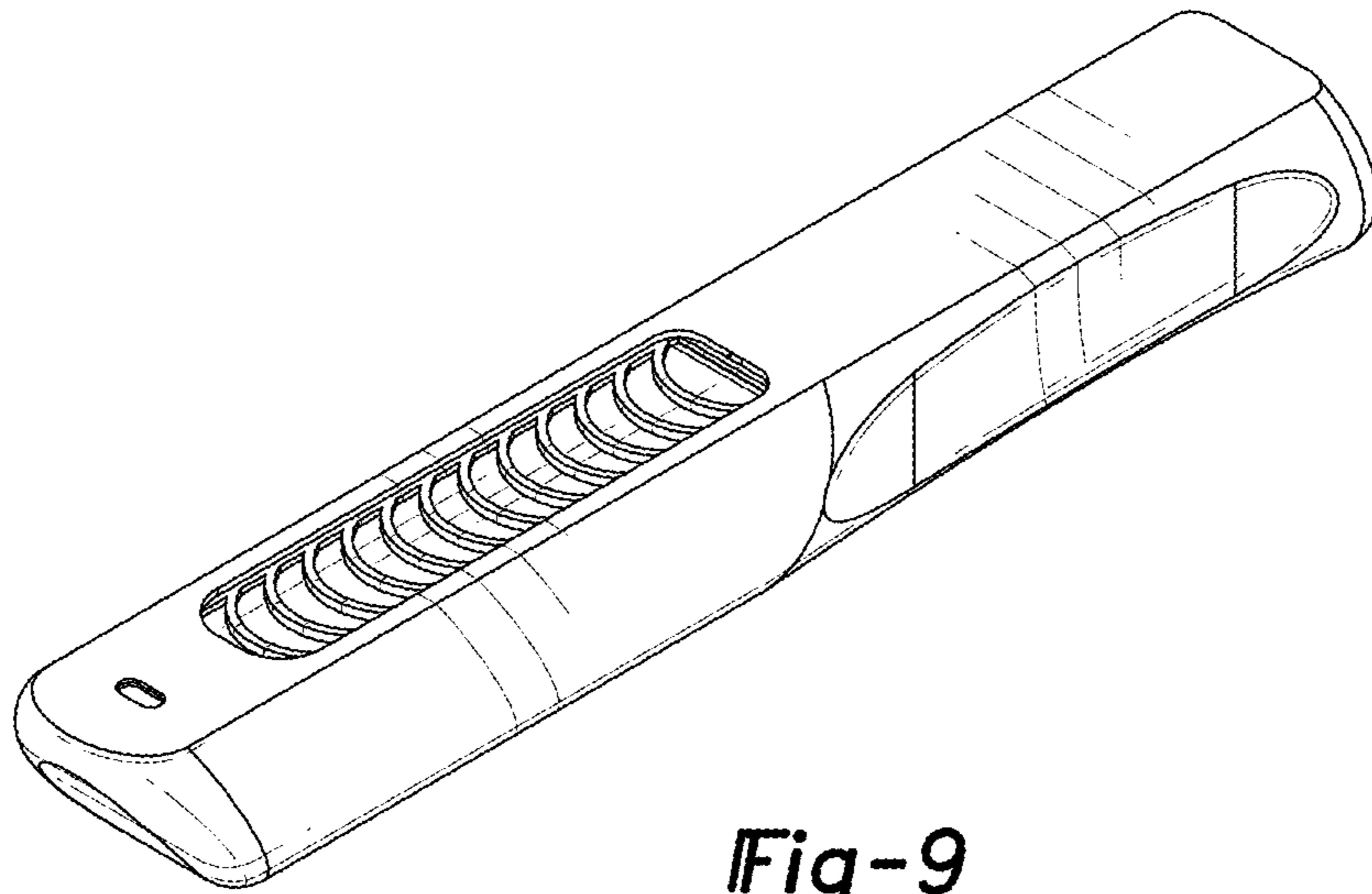


Fig-9

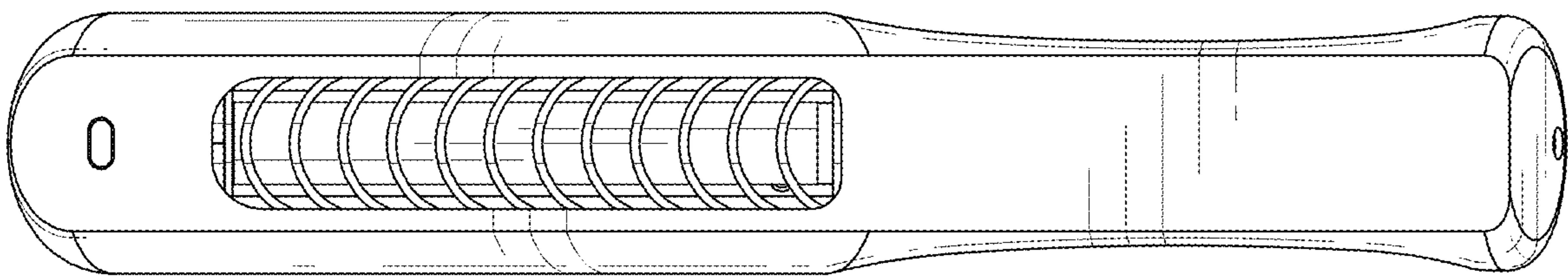


Fig-10