



US00D923808S

(12) **United States Design Patent** (10) **Patent No.:** **US D923,808 S**
Lei et al. (45) **Date of Patent:** **** Jun. 29, 2021**

(54) **LIQUID SAMPLE COLLECTOR AND TEST DEVICE IN COMBINATION**
(71) Applicants: **Healgen Scientific Limited**, Houston, TX (US); **Zhejiang Orient Gene Biotech Co., LTD**, Zhejiang (CN)
(72) Inventors: **Siyu Lei**, Zhejiang (CN); **Jianqiu Fang**, Houston, TX (US)
(73) Assignees: **Zhejiang Orieng Gene Biotech Co., Ltd.**, Zhejiang (CN); **Healgen Scientific Limited**, Houston, TX (US)
(**) Term: **15 Years**
(21) Appl. No.: **29/658,334**
(22) Filed: **Jul. 30, 2018**
(51) **LOC (13) Cl.** **24-01**
(52) **U.S. Cl.**
USPC **D24/216**
(58) **Field of Classification Search**
USPC D24/216, 219, 223, 224, 227, 229, 230, D24/231, 232, 233, 234, 107, 186, 217, D24/220, 225, 226, 113, 156, 162; D10/81, 97
CPC G01N 2035/00306; G01N 2035/00326; G01N 2035/00336; G01N 33/53; G01N 33/5302; G01N 33/569; B01L 7/52; B01L 2300/0864; B01L 2300/0874; B01L 2300/0877; B01L 2300/088; B01L 2300/0883; B01L 3/052
See application file for complete search history.

(56) **References Cited**
U.S. PATENT DOCUMENTS
D516,223 S * 2/2006 Smith D24/224
D583,058 S * 12/2008 Short D24/162

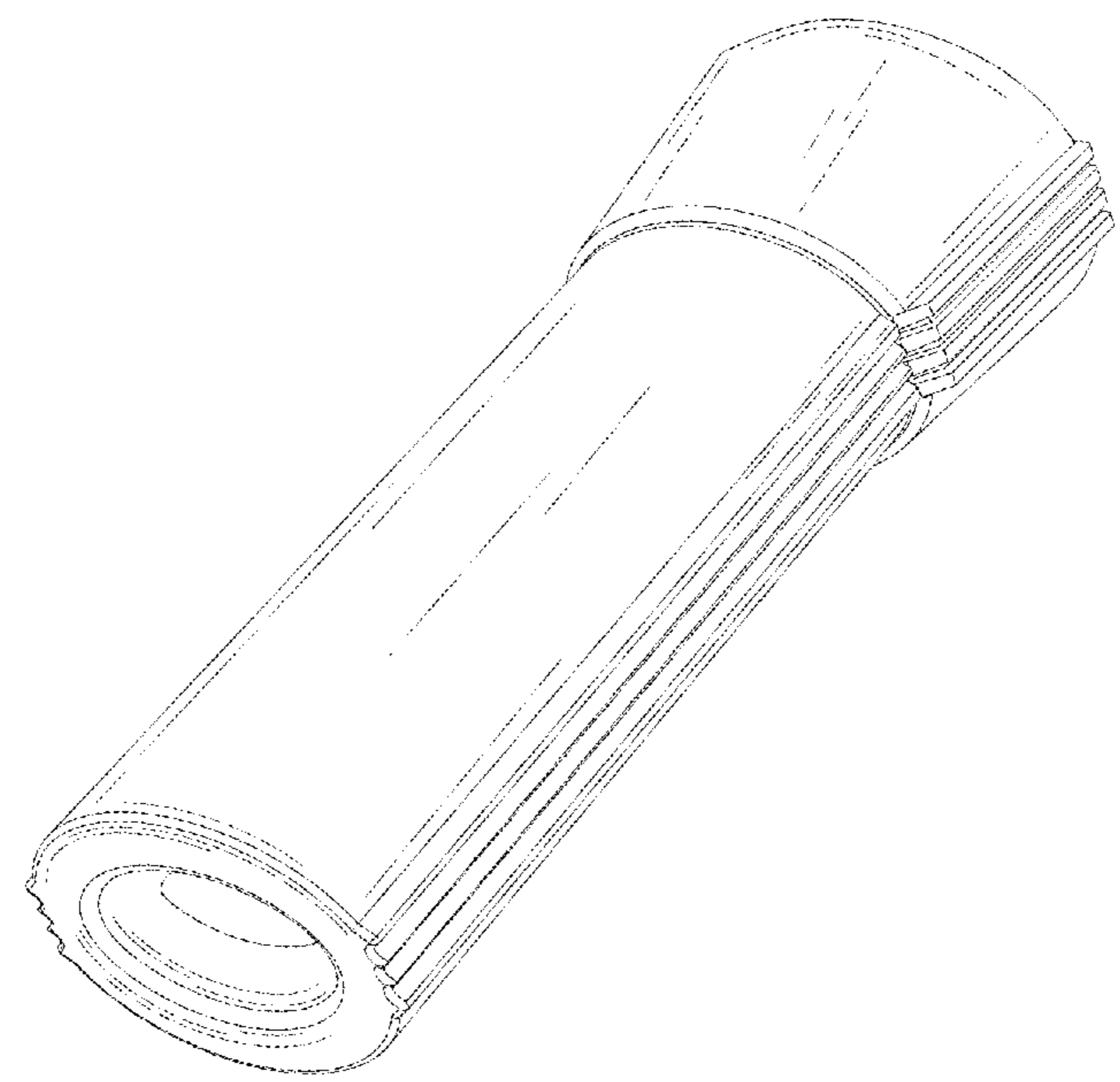
D731,064 S * 6/2015 Seto D24/156
D743,571 S * 11/2015 Jackson D24/216
D758,569 S * 6/2016 Wohlfahrt D24/113
D778,458 S * 2/2017 Tateno D24/224
D795,723 S * 8/2017 Herbst D10/81
D800,334 S * 10/2017 Kasuto D24/224
D803,414 S * 11/2017 Tate D24/224
D852,375 S * 6/2019 Druga, Sr. D24/224
2009/0155124 A1 * 6/2009 Wan B01L 3/502
422/68.1
2015/0293010 A1 * 10/2015 Nagrath B01L 3/502753
435/34
2017/0209865 A1 * 7/2017 Carrano G01N 33/54373
* cited by examiner

Primary Examiner — Lilyana Bekic
Assistant Examiner — Mary Shannon Malley
(74) *Attorney, Agent, or Firm* — Thomas Horstemeyer, LLP

(57) **CLAIM**
The ornamental design for a liquid sample collector and test device in combination, as shown and described.

DESCRIPTION
FIG. 1 is a top, front, left perspective view of a liquid sample collector and test device in combination showing our new design;
FIG. 2 is a bottom, rear, right view thereof
FIG. 3 is a front elevation view thereof;
FIG. 4 is a rear elevation view thereof;
FIG. 5 is a right elevation view thereof;
FIG. 6 is a left elevation view thereof;
FIG. 7 is a top plan view thereof; and,
FIG. 8 is a bottom plan view thereof.
The broken lines illustrate portions of the liquid sample collector and test device in combination that forms no part of the claimed design.

1 Claim, 8 Drawing Sheets



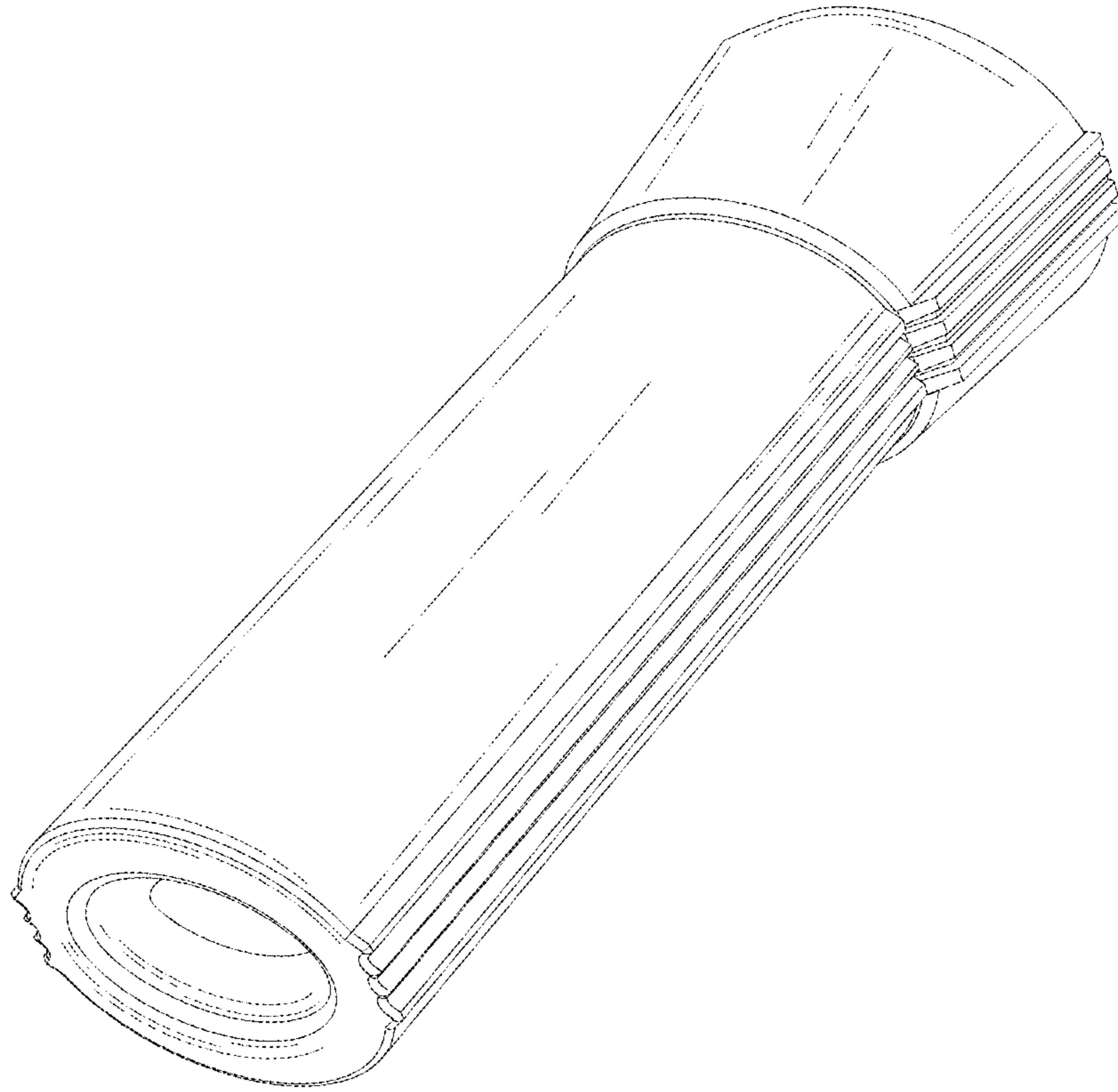


FIG. 1

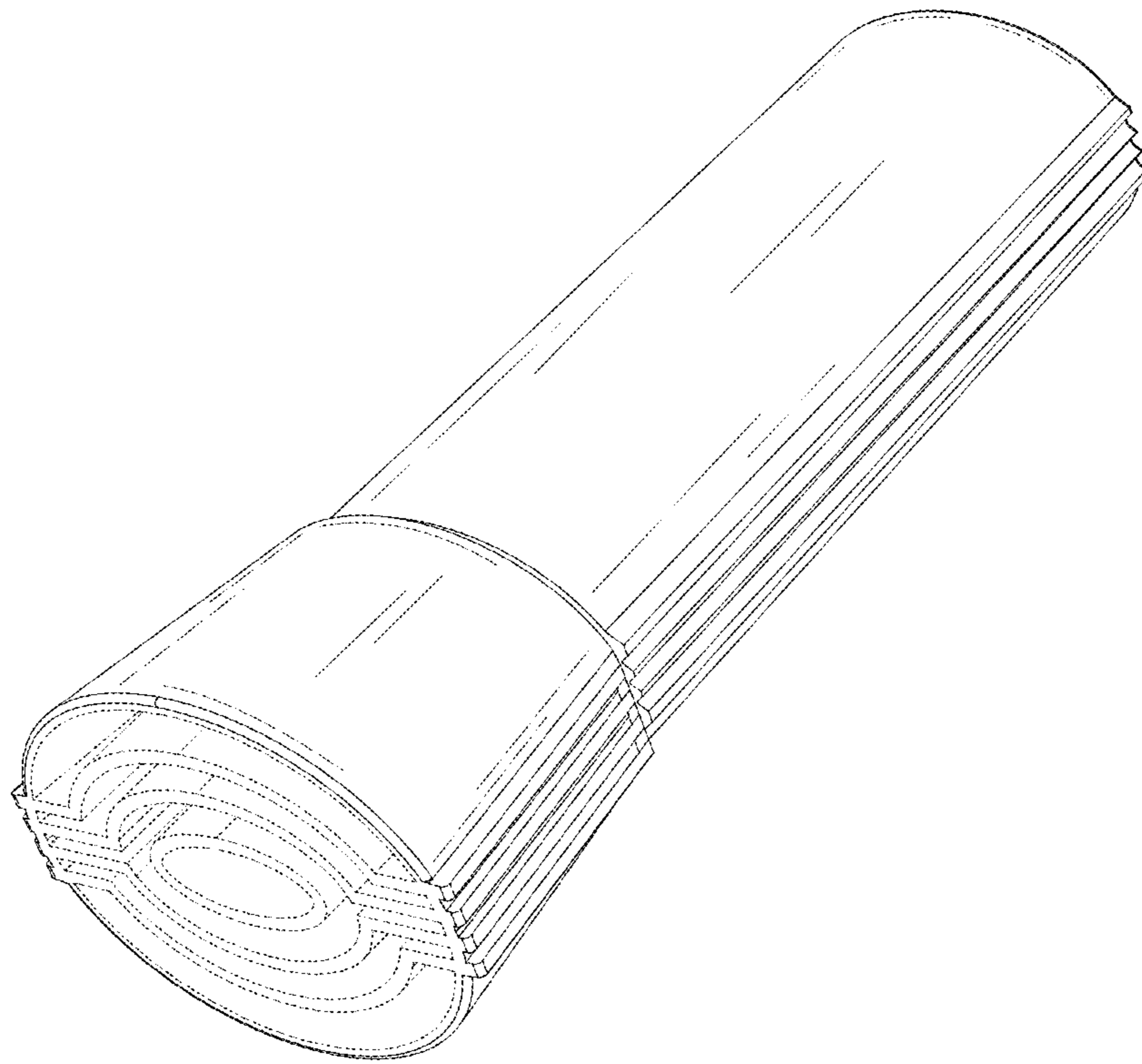


FIG. 2

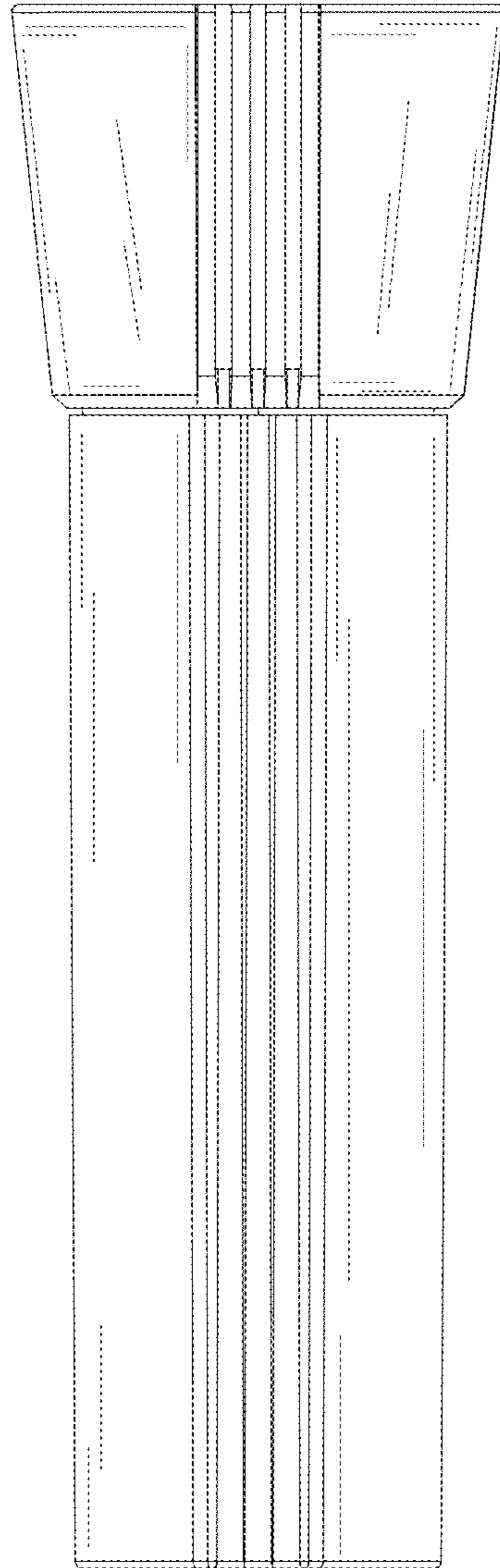


FIG. 3

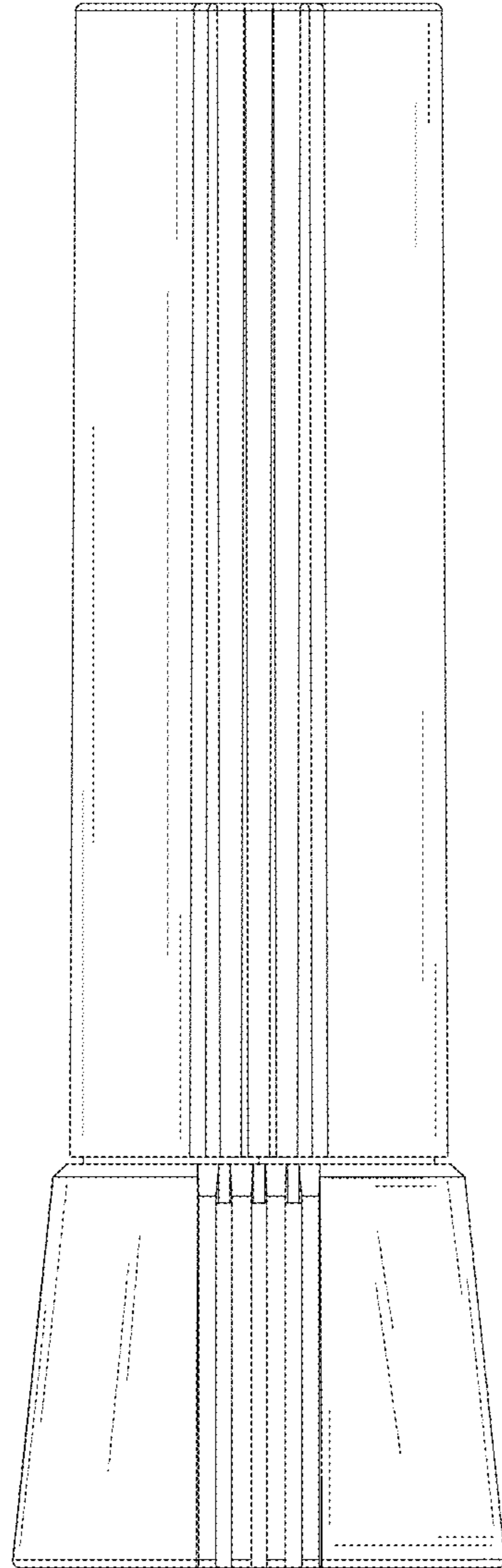


FIG. 4

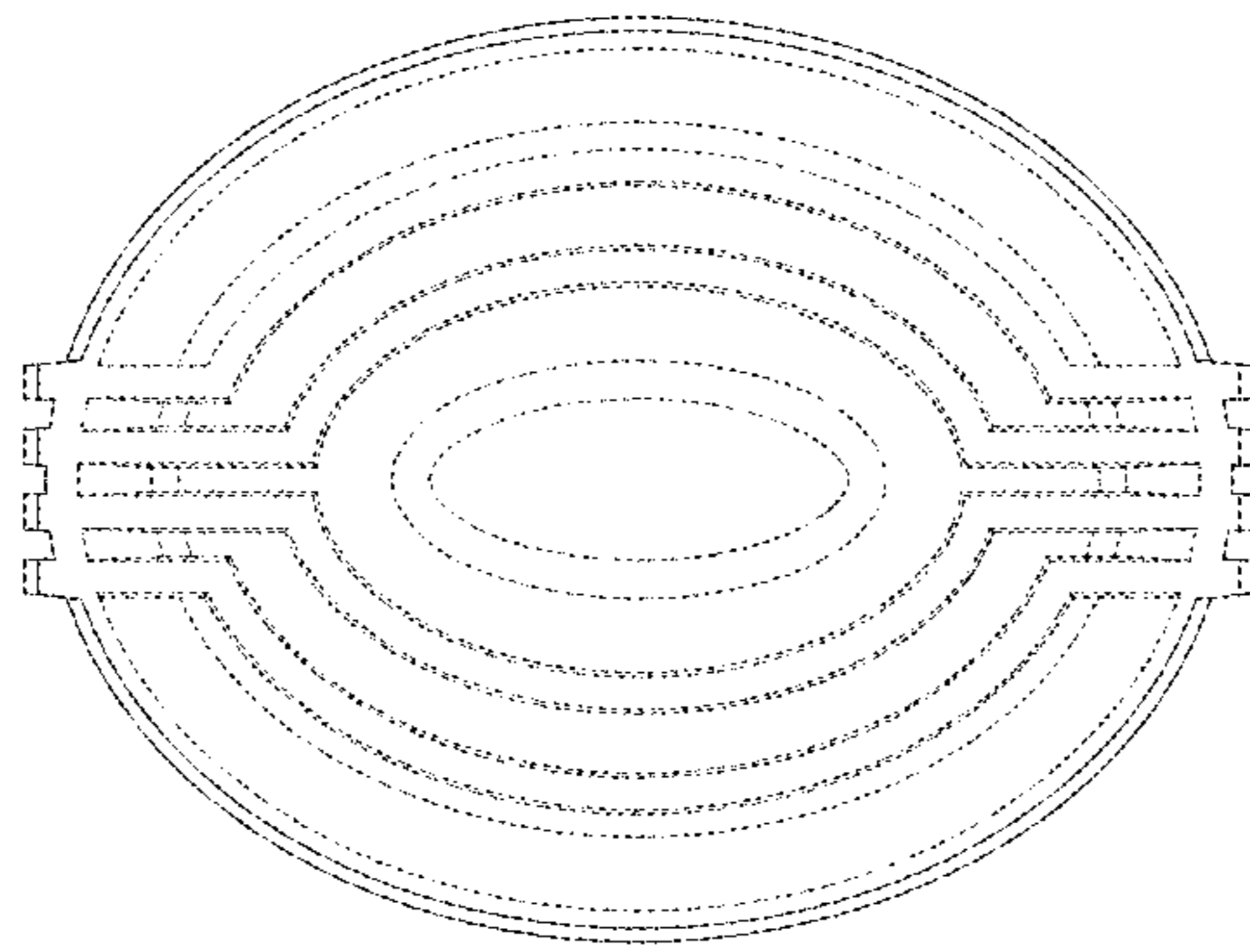


FIG. 5

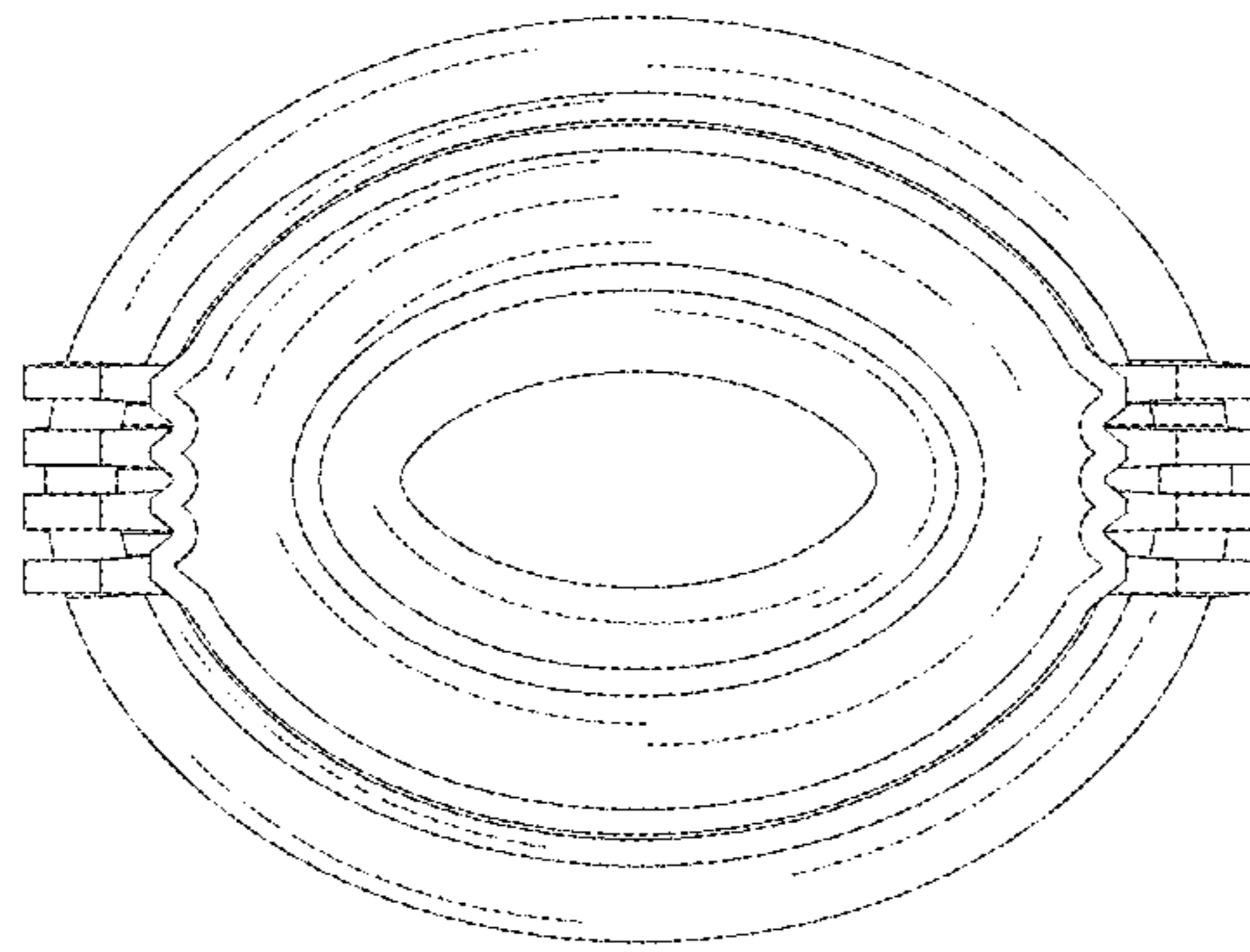


FIG. 6

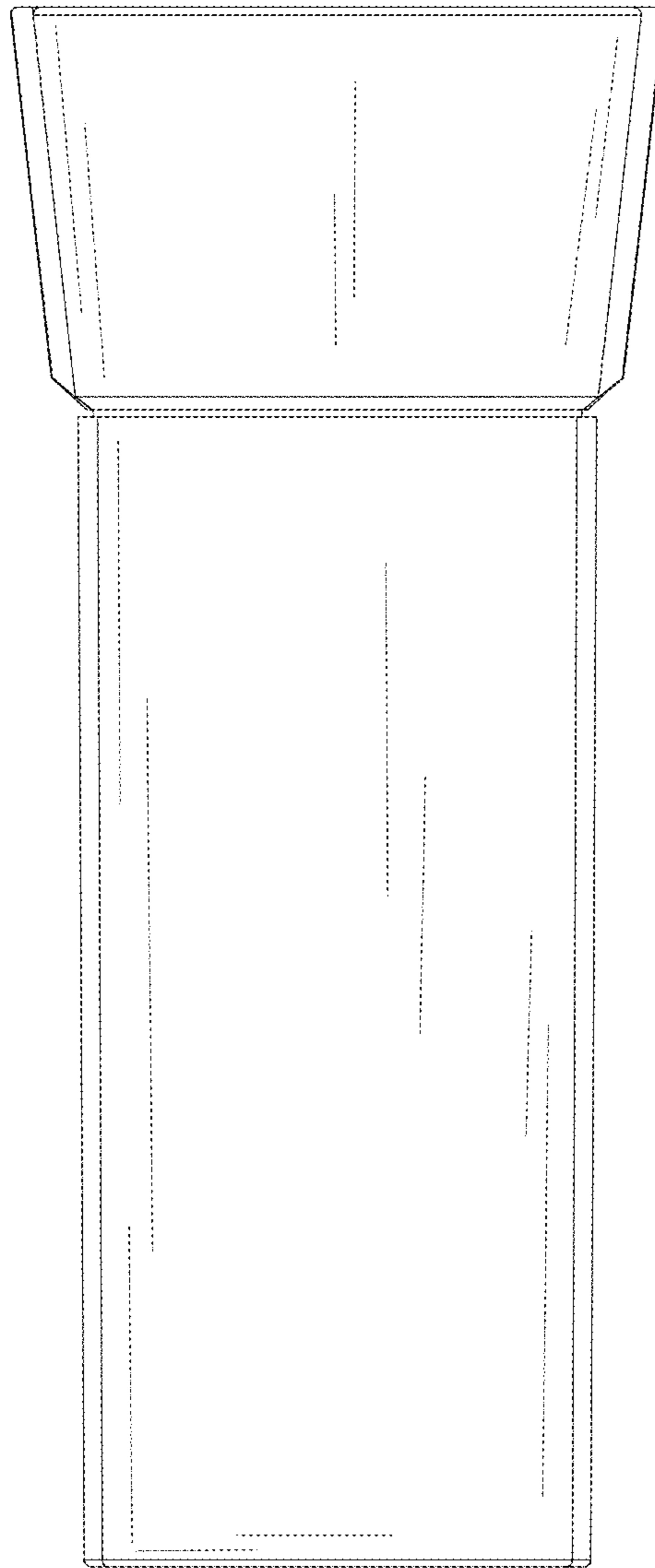


FIG. 7

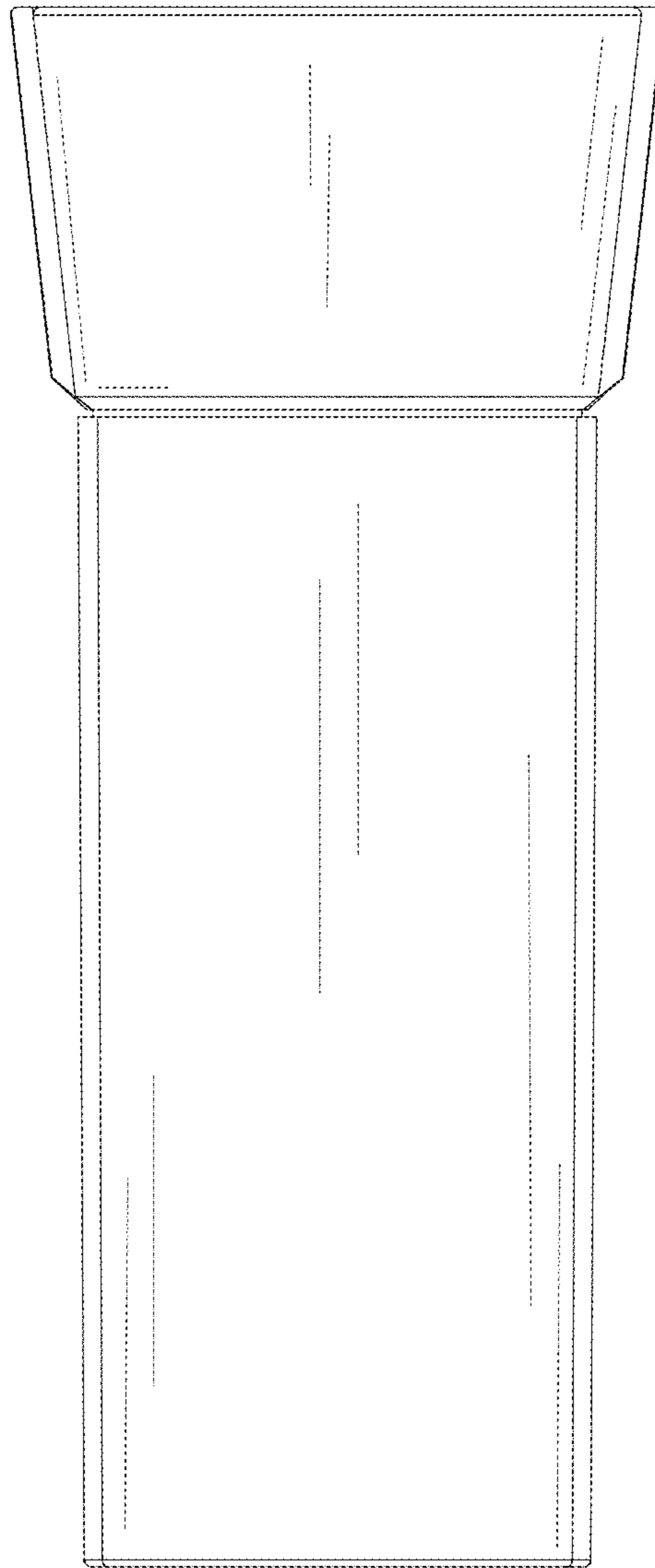


FIG. 8