



US00D923807S

(12) **United States Design Patent** (10) **Patent No.:** **US D923,807 S**
Long (45) **Date of Patent:** **** Jun. 29, 2021**

(54) **COMBINED CALF AND FOOT MASSAGER**

(71) Applicant: **Chunmei Long**, Shandong (CN)

(72) Inventor: **Chunmei Long**, Shandong (CN)

(**) Term: **15 Years**

(21) Appl. No.: **29/702,459**

(22) Filed: **Aug. 20, 2019**

(51) **LOC (13) Cl.** **28-03**

(52) **U.S. Cl.**
USPC **D24/213**

(58) **Field of Classification Search**
USPC D24/192, 200, 204, 211, 212, 213, 214,
D24/215

CPC A61H 2205/12; A61H 15/00; A61H
2205/125; A61H 2001/027; A61H 7/007

See application file for complete search history.

(56) **References Cited**

U.S. PATENT DOCUMENTS

3,965,495	A *	6/1976	McNair	A61H 35/006 4/622
D280,934	S *	10/1985	MacGregor	D24/211
D329,499	S *	9/1992	Ohashi	D24/213
D340,116	S *	10/1993	Ohashi	D24/200
D340,529	S *	10/1993	Ohashi	D24/200
D345,804	S *	4/1994	Chin-Chi	D24/200
D352,555	S *	11/1994	Hsieh	D24/200
D358,656	S *	5/1995	Chang	D24/200
D363,555	S *	10/1995	Lie	D24/213
D369,669	S *	5/1996	Hinoki	D24/215
D379,661	S *	6/1997	You	D24/213
D390,963	S *	2/1998	Scholpp	D24/213
D405,535	S *	2/1999	Schulz	D24/213
D430,937	S *	9/2000	Noble	D24/213
D432,242	S *	10/2000	Lie	D24/212
D436,180	S *	1/2001	Lie	D24/213
D453,836	S *	2/2002	Gillette	D24/213
D455,498	S *	4/2002	Gillette	D24/213
6,385,795	B1 *	5/2002	Ferber	A47K 3/022 4/622

D460,826	S *	7/2002	Lie	D24/213
D463,030	S *	9/2002	Ferber	D24/213
D471,638	S *	3/2003	Ferber	D24/213
D473,317	S *	4/2003	Lie	D24/213
D478,670	S *	8/2003	Tsai	D24/212
D487,514	S *	3/2004	Lie	D24/213
D487,515	S *	3/2004	Lie	D24/213
D504,178	S *	4/2005	Zolotnik	D24/213
D506,830	S *	6/2005	Zimmermann	D24/204
D518,182	S *	3/2006	Cafaro	D24/201
D523,560	S *	6/2006	Tsai	D24/212
D524,947	S *	7/2006	Gleason	D24/213

(Continued)

OTHER PUBLICATIONS

Walmart, "NuFazes_Shiatsu Foot Massager", Nov. 12, 2020. <https://www.walmart.com/ip/NuFazes-Electric-Therapeutic-Shiatsu-Foot-Massager-Machine-Heat-Kneading-and-Rolling-for-Foot-3-Massage-Modes-Home-Health-Care-Equipmen/646051931>. Shown on p. 1. (Year: 2020).*

Primary Examiner — Cynthia Ramirez

Assistant Examiner — Michael A Maharajh

(57) **CLAIM**

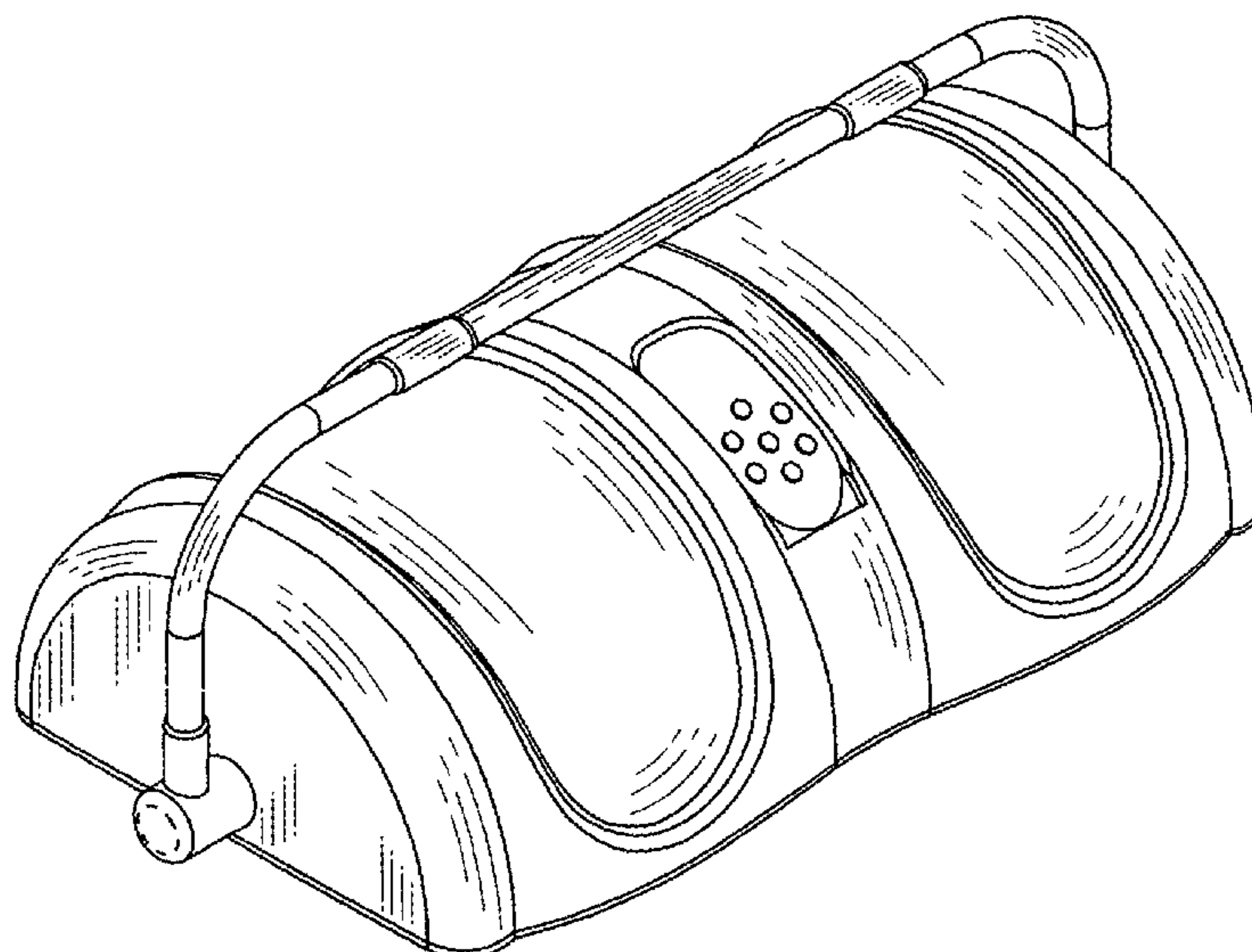
The ornamental design for a combined calf and foot massager, as shown and described.

DESCRIPTION

FIG. 1 is a perspective view of a combined calf and foot massager showing my new design; FIG. 2 is a front elevational view thereof; FIG. 3 is a rear elevational view thereof; FIG. 4 is a left side elevational view thereof; FIG. 5 is a right side elevational view thereof; FIG. 6 is a top plan view thereof; and, FIG. 7 is a bottom plan view thereof.

The broken lines shown in the figures are for the purpose of illustrating portions of the combined calf and foot massager, which form no part of the claimed design.

1 Claim, 7 Drawing Sheets



(56)

References Cited

U.S. PATENT DOCUMENTS

D527,460 S * 8/2006 Kawamura D24/200
D529,183 S * 9/2006 Cafaro D24/213
D531,732 S * 11/2006 Bean D24/213
D535,402 S * 1/2007 Lifeng D24/200
D535,751 S * 1/2007 Lifeng D24/200
D537,949 S * 3/2007 Lie D24/213
D539,914 S * 4/2007 Park D24/213
D541,424 S * 4/2007 Cafaro D24/212
D541,944 S * 5/2007 Chang D24/213
D542,927 S * 5/2007 Harris D24/212
D548,352 S * 8/2007 Maesawa D24/212
D548,353 S * 8/2007 Maesawa D24/212
D569,004 S * 5/2008 Cafaro D24/213
D584,826 S * 1/2009 Ng D24/213
D590,065 S * 4/2009 Yuyama D24/212
D605,777 S * 12/2009 Galati, Jr. D24/204
D619,268 S * 7/2010 Sugiyama D24/212
D625,021 S * 10/2010 Stoddard D24/212
D628,303 S * 11/2010 Hsu D24/213
D643,127 S * 8/2011 Lim D24/213
D648,859 S * 11/2011 Ng D24/212
D701,612 S * 3/2014 Robinson D24/213
D717,962 S * 11/2014 Chen D24/213
D880,711 S * 4/2020 Xu D24/213
2003/0050578 A1 * 3/2003 Suh A61H 9/0078
601/99
2003/0070222 A1 * 4/2003 Bastia A61H 15/0078
4/622
2007/0267020 A1 * 11/2007 Harris A61H 23/00
128/205.24
2007/0299372 A1 * 12/2007 Chang A61H 1/0266
601/28
2018/0133099 A1 * 5/2018 Wade A61H 23/02

* cited by examiner

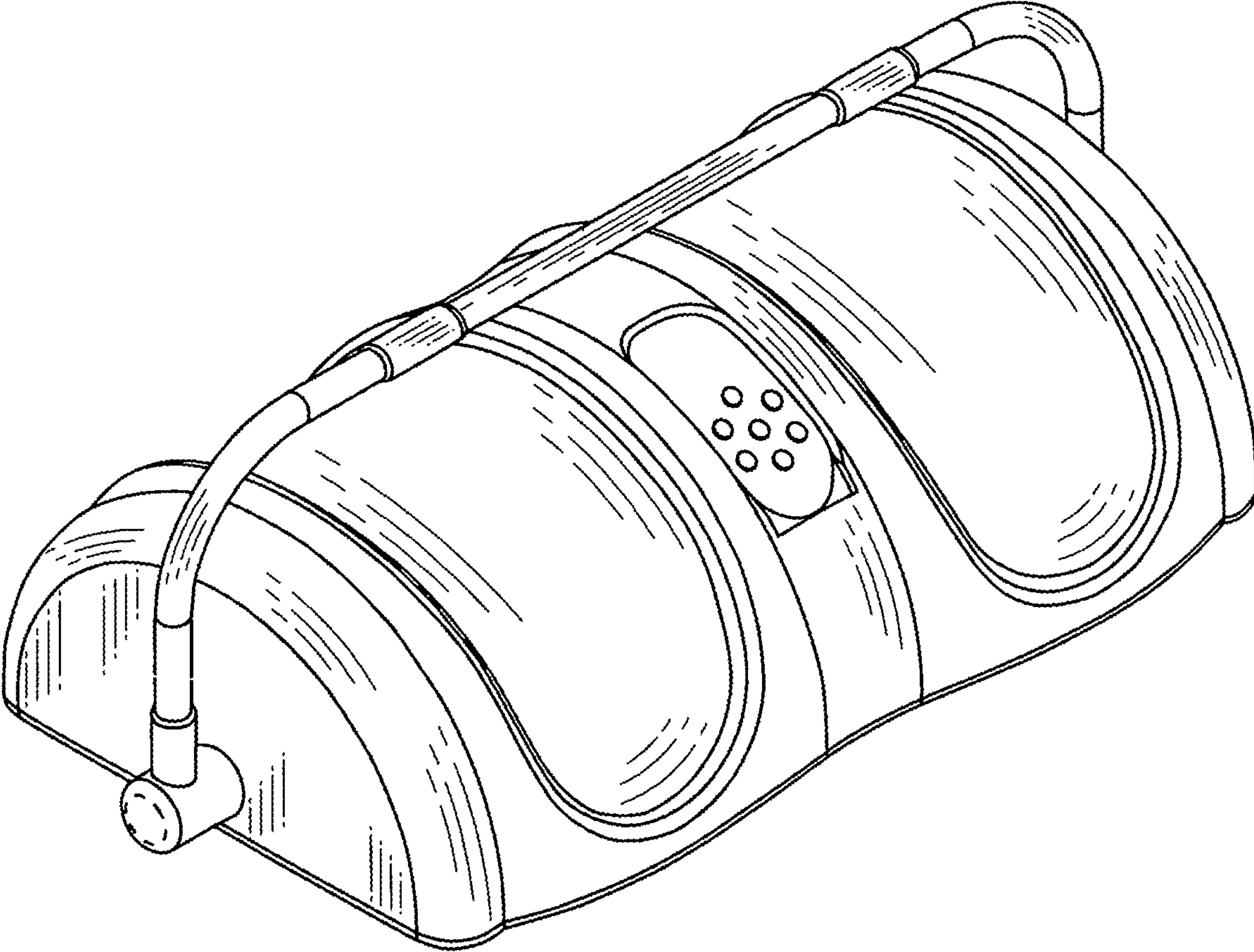


FIG. 1

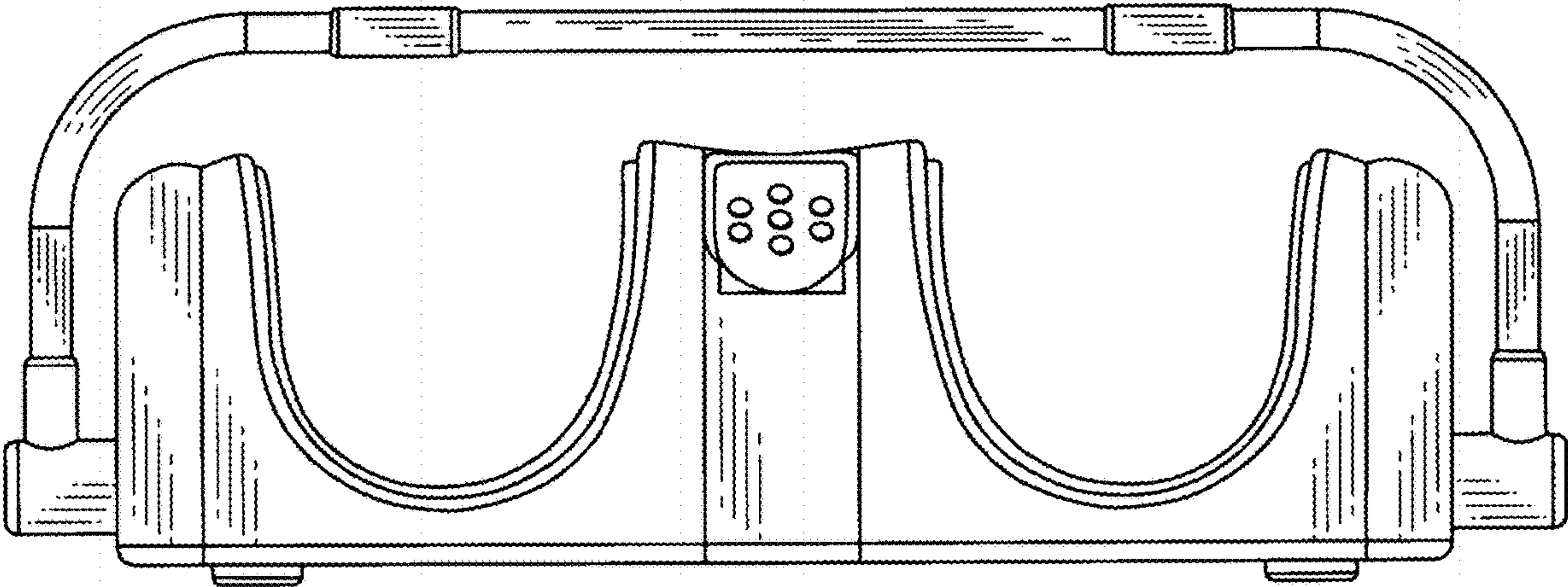


FIG. 2

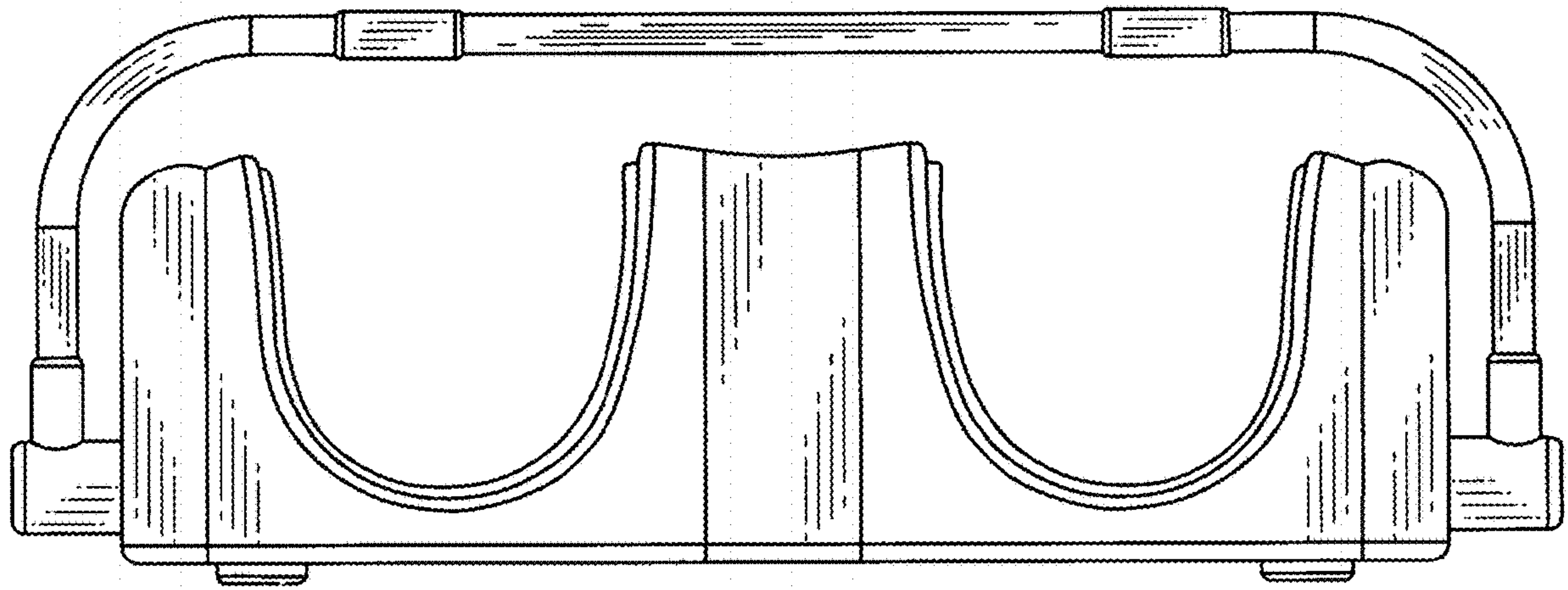


FIG. 3

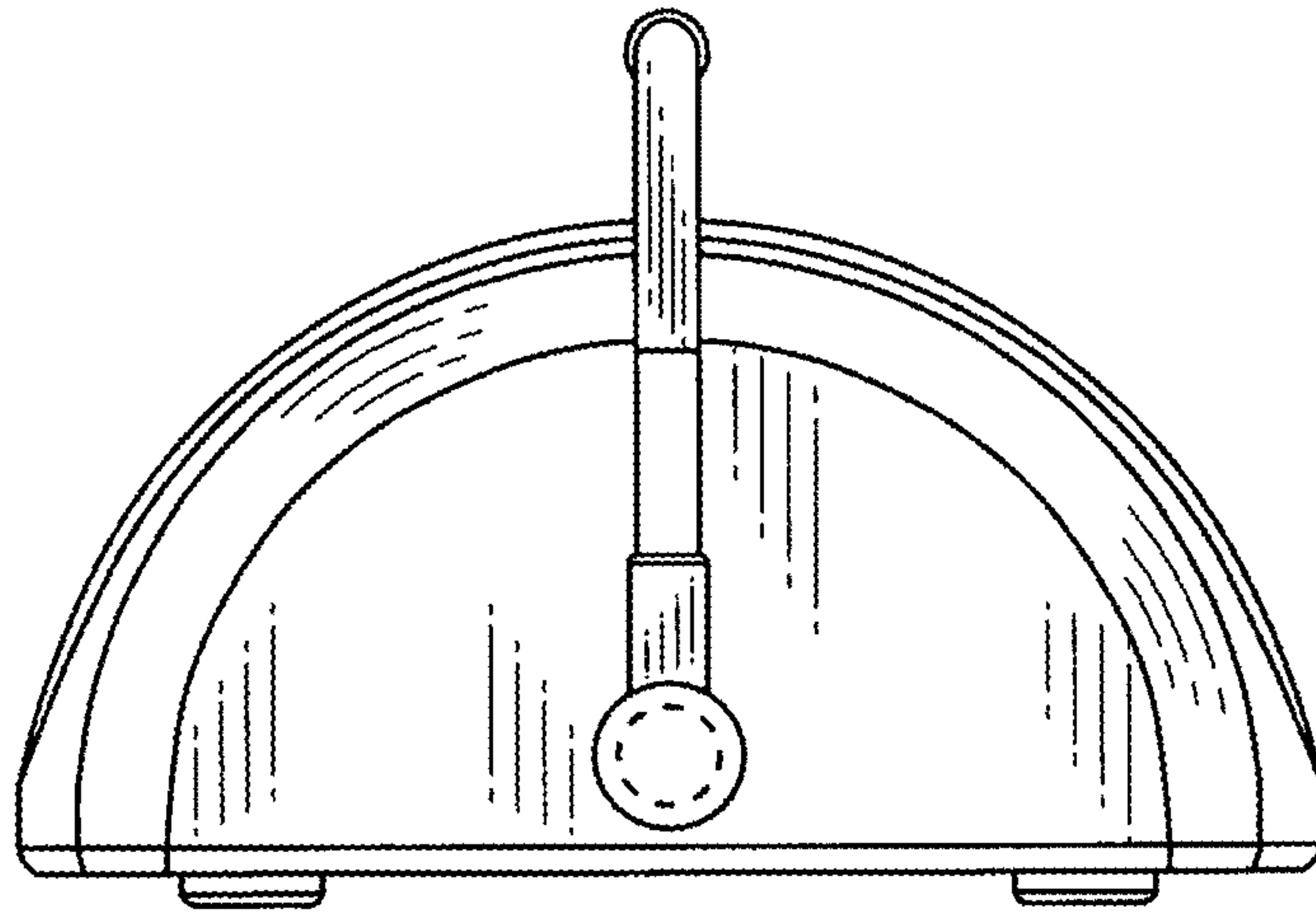


FIG. 4

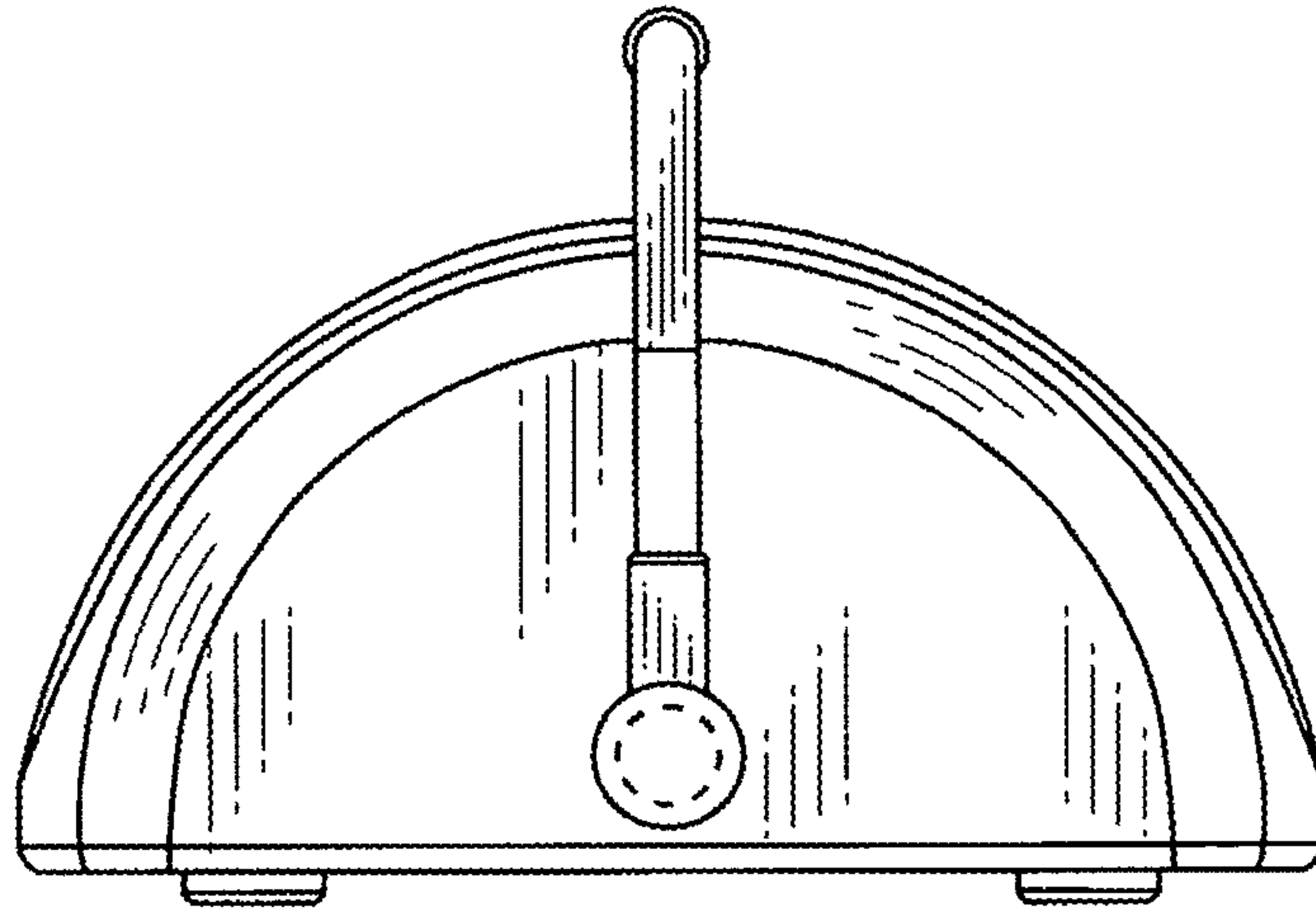


FIG. 5

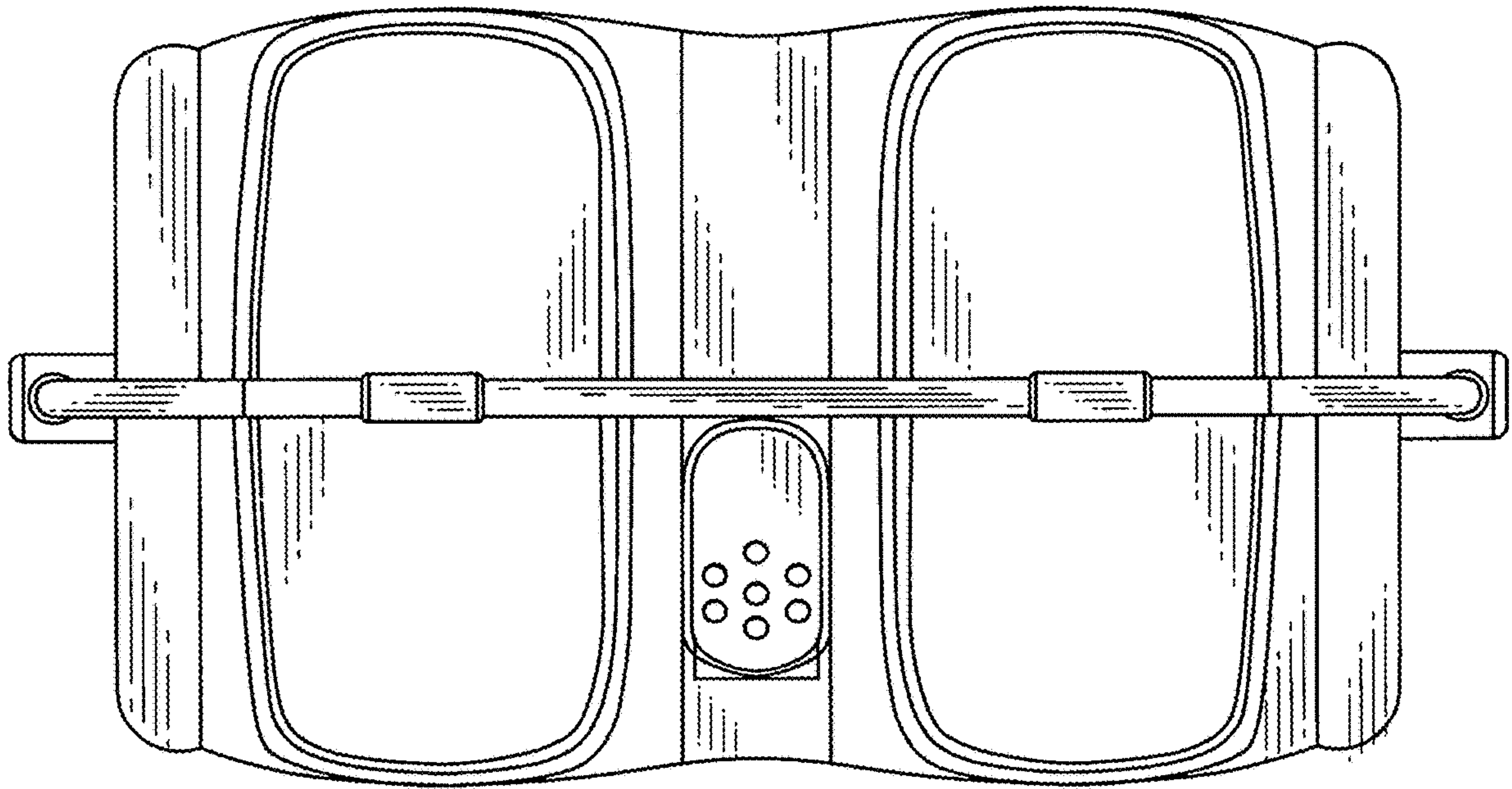


FIG. 6

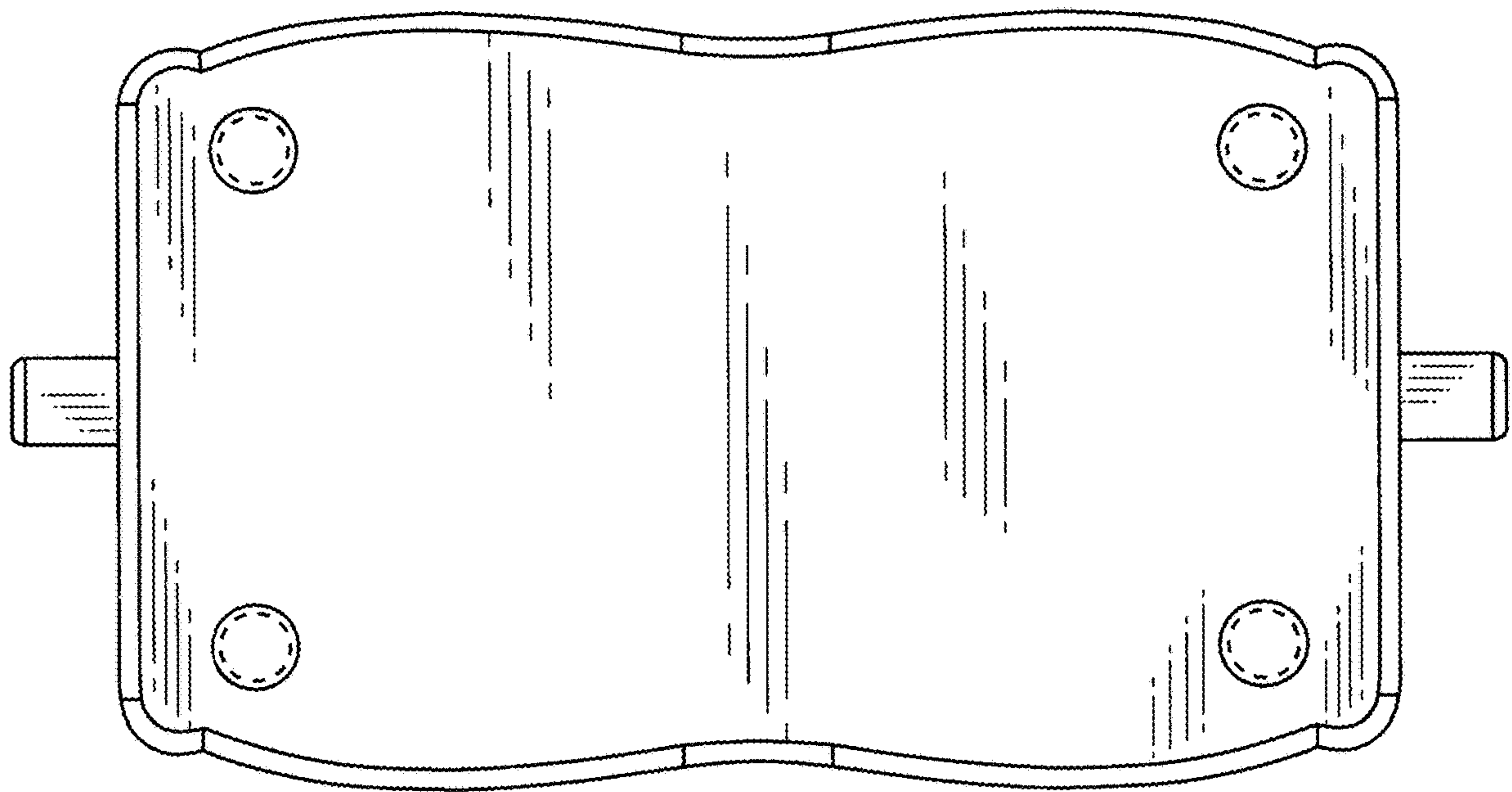


FIG. 7