



US00D923806S

(12) **United States Design Patent**  
**Bünger von Wurmb et al.**

(10) **Patent No.:** **US D923,806 S**  
(45) **Date of Patent:** **\*\* Jun. 29, 2021**

(54) **APPARATUS FOR THERMOTHERAPY**

(71) Applicant: **Dermapharm AG**, Grünwald (DE)

(72) Inventors: **Daniel Bünger von Wurmb**,  
Mönchengladbach (DE); **Josef Prasser**,  
Kappel am Krappfeld (AT)

(73) Assignee: **Dermapharm AG**, Grünwald (DE)

(\*\*) Term: **15 Years**

(21) Appl. No.: **29/717,696**

(22) Filed: **Dec. 18, 2019**

(30) **Foreign Application Priority Data**

Jun. 18, 2019 (EM) ..... 006583902

(51) **LOC (13) Cl.** ..... **24-04**

(52) **U.S. Cl.**  
USPC ..... **D24/209**; D24/206; D24/214

(58) **Field of Classification Search**  
USPC ..... D24/206, 207, 200, 133, 214, 215, 185,  
D24/186, 109, 108, 112-114, 209, 210;  
D10/57, 78, 81; D27/100, 101  
CPC .. A61B 17/54; A61H 7/00; A61H 7/001-005;  
A61H 2201/0153; A61H 2201/0157;  
A61H 2201/10; A61H 23/006; A61H  
23/02; A61H 23/06; A61N 5/0613; A61N  
5/0616; A61N 2005/0644

See application file for complete search history.

(56) **References Cited**

**U.S. PATENT DOCUMENTS**

D294,864 S 3/1988 Gialanella  
4,763,657 A 8/1988 Chen et al.  
D322,676 S 12/1991 Chambers  
D323,562 S 1/1992 Tsou  
D378,512 S 3/1997 Lee et al.  
D585,997 S \* 2/2009 Adam ..... D24/107

D693,933 S \* 11/2013 Tai ..... D24/215  
D698,937 S \* 2/2014 Laverack ..... D24/223  
D734,479 S \* 7/2015 Youngquist ..... D24/209  
D748,853 S \* 2/2016 Seibel ..... D27/101  
D758,651 S \* 6/2016 Wu ..... D27/101

(Continued)

**FOREIGN PATENT DOCUMENTS**

CA 114395 10/2006  
CN 303191729 \* 4/2015

(Continued)

**OTHER PUBLICATIONS**

Skin Care Face & Eyes Ultrasonic Thermal Ion +/- Facial Massager  
by Air Beauty, air-beautyspa.com. Date viewed: Dec. 15, 2020.  
Retrieved from internet: <https://www.air-beautyspa.com/air-h235-face--eye-massage-pen> (Year: 2020).\*

(Continued)

*Primary Examiner* — Lilyana Bekic  
*Assistant Examiner* — Lee D. Starr  
(74) *Attorney, Agent, or Firm* — Wolf, Greenfield &  
Sacks, P.C.

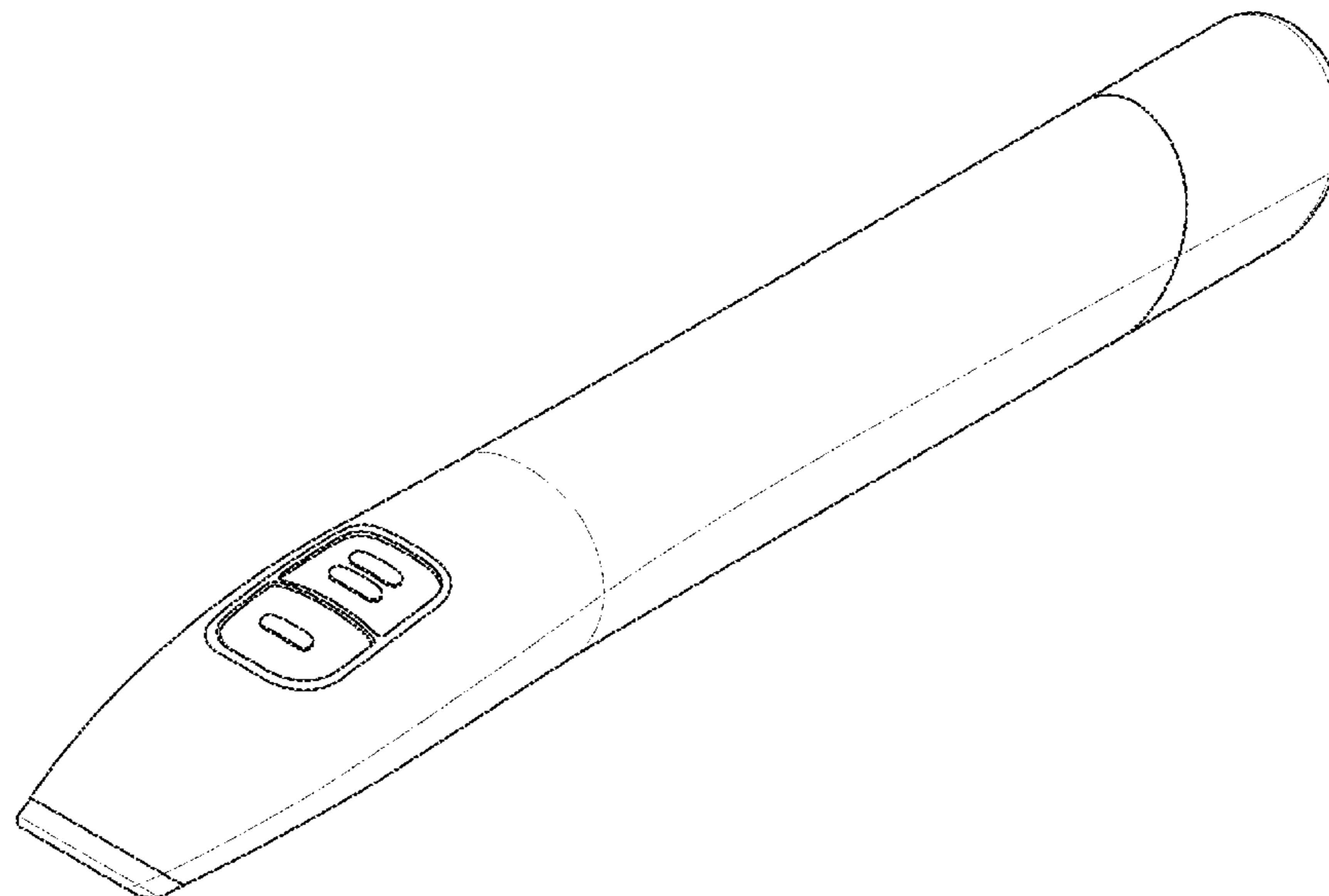
(57) **CLAIM**

The ornamental design for an apparatus for thermotherapy,  
as shown and described.

**DESCRIPTION**

FIG. 1 is a top, front, and right side perspective view of an  
apparatus for thermotherapy according to our new design;  
FIG. 2 is a bottom plan view thereof;  
FIG. 3 is a front elevation view thereof;  
FIG. 4 is a rear elevation view thereof;  
FIG. 5 is a right side elevation view thereof, with the left side  
elevation view being a mirror image of FIG. 5; and,  
FIG. 6 is a top plan view thereof.

**1 Claim, 2 Drawing Sheets**



(56)

**References Cited**

U.S. PATENT DOCUMENTS

D774,406	S	*	12/2016	Im	.....	D10/57
D787,083	S	*	5/2017	Ely	.....	D24/209
D818,636	S	*	5/2018	Qiu	.....	D27/101
D824,528	S	*	7/2018	Yang	.....	D24/209
D825,099	S	*	8/2018	Wright	.....	D27/101
D828,193	S	*	9/2018	Fornoff	.....	D10/81
D868,361	S	*	11/2019	Stone	.....	D27/101
D873,486	S	*	1/2020	Hazan	.....	D28/44.1
D883,566	S	*	5/2020	Filleul	.....	D27/162
D893,021	S	*	8/2020	Dyer	.....	D24/113
D898,207	S	*	10/2020	Yang	.....	D24/200
D903,887	S	*	12/2020	Althoff	.....	D24/209
2008/0269850	A1		10/2008	Dodo		
2009/0157094	A1	*	6/2009	Yeshurun	.....	A61B 17/54 606/131
2016/0045758	A1	*	2/2016	Tapper	.....	A61N 5/0616 607/90
2017/0196262	A1	*	7/2017	Brereton	.....	F25D 5/02
2017/0196754	A1	*	7/2017	Thiebaut	.....	A61H 9/0057
2018/0352934	A1	*	12/2018	Nasu	.....	A45D 34/04
2019/0201072	A1	*	7/2019	Shiraishi	.....	A61F 7/007
2020/0039096	A1	*	2/2020	Khubani	.....	B26B 19/148
2020/0289161	A1	*	9/2020	Scooros	.....	A61F 7/00

FOREIGN PATENT DOCUMENTS

CN	303310728	*	7/2015
CN	305737911	*	4/2020

CN	306055665	*	9/2020
EM	000480124-0001		3/2006
EM	006583902-0001		7/2019
KR	300792035.0000	*	4/2015
WO	WO D082738-002	*	1/2014
WO	WO 2018/011262 A1		1/2018

OTHER PUBLICATIONS

Red & Blue Light Therapy Acne Spot Treatment by Neutrogena. neutrogena.com. Date viewed: Dec. 15, 2020. Retrieved from internet: <https://www.neutrogena.com/products/skincare/red-and-blue-light-therapy-acne-spot-treatment-to-reduce-breakouts/6810131.html> (Year: 2020).\*

Red Light Therapy, Infrared Light Therapy Pain Relief Device by PROALLER. Amazon.com. Date first available: Jun. 12, 2019. Retrieved from internet: <https://www.amazon.com/Therapy-Infrared-Devices-Therapeutic-Wavelength/dp/B07R64DW92> (Year: 2019).\*

3 IN 1 Acne Removal Acne Treatment Tool Beauty Instrument by Riteu. Amazon.com. Oldest review date: Dec. 2, 2019. Retrieved from internet: <https://www.amazon.com/Removal-Treatment-Instrument-Rejuvenation-Machine/dp/B07QLN2RMN> (Year: 2019).\*

U.S. Appl. No. 29/699,192, filed Jul. 23, 2019, Schmidt et al.

\* cited by examiner

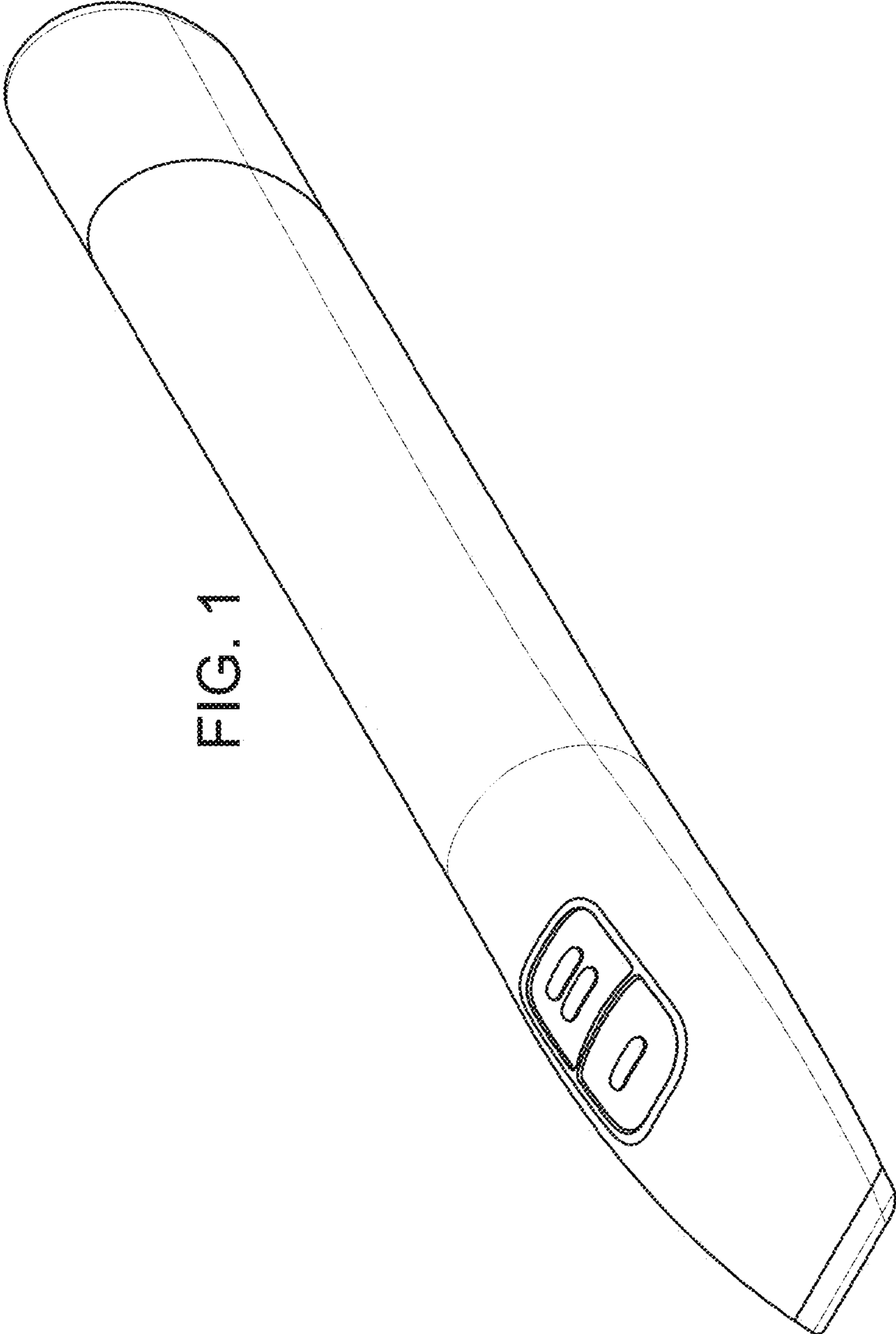


FIG. 1

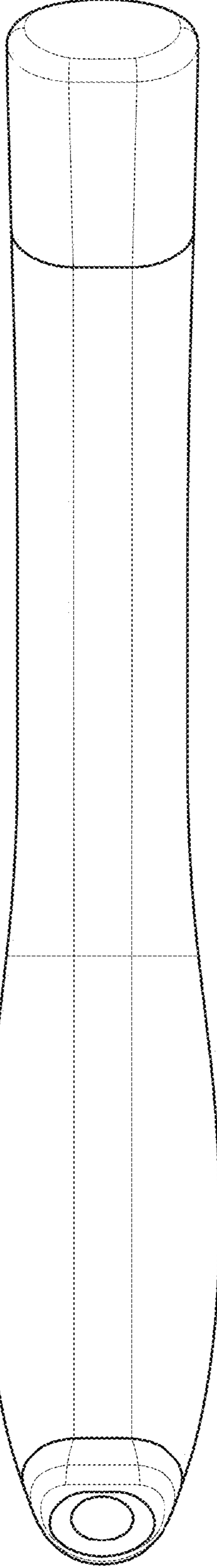


FIG. 2

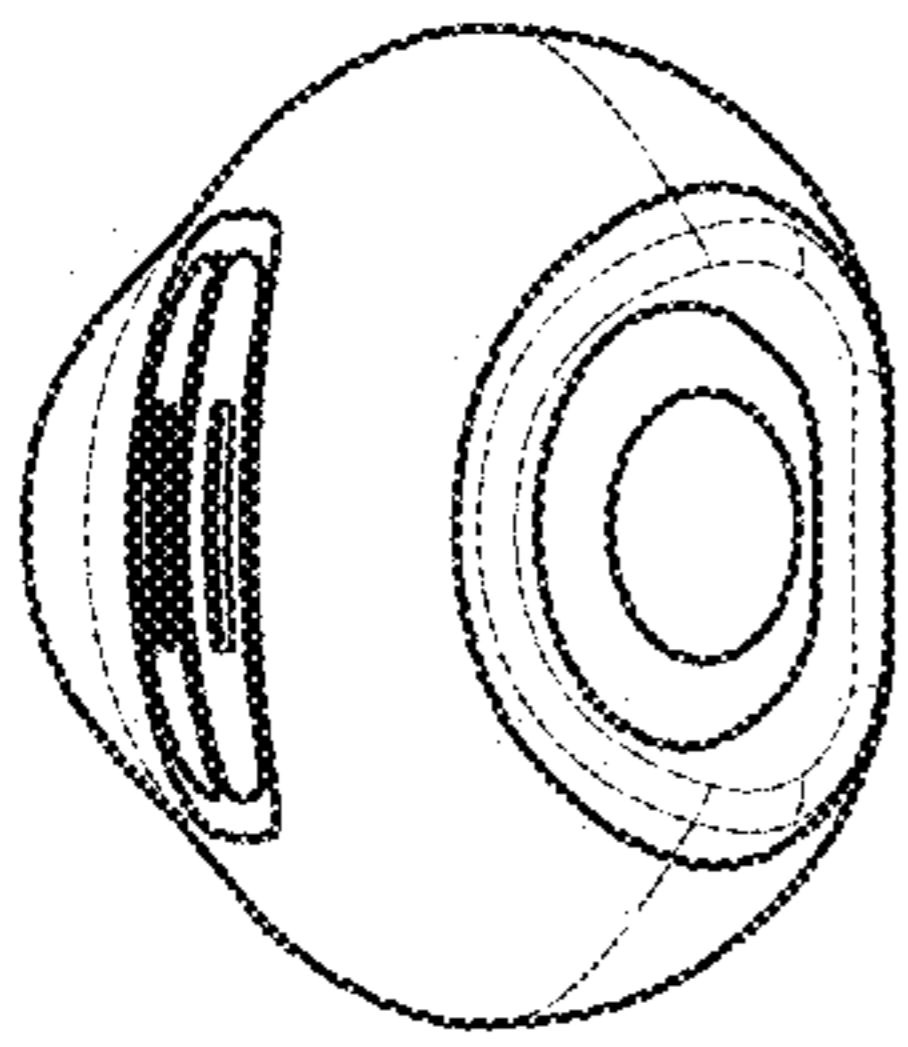


FIG. 3

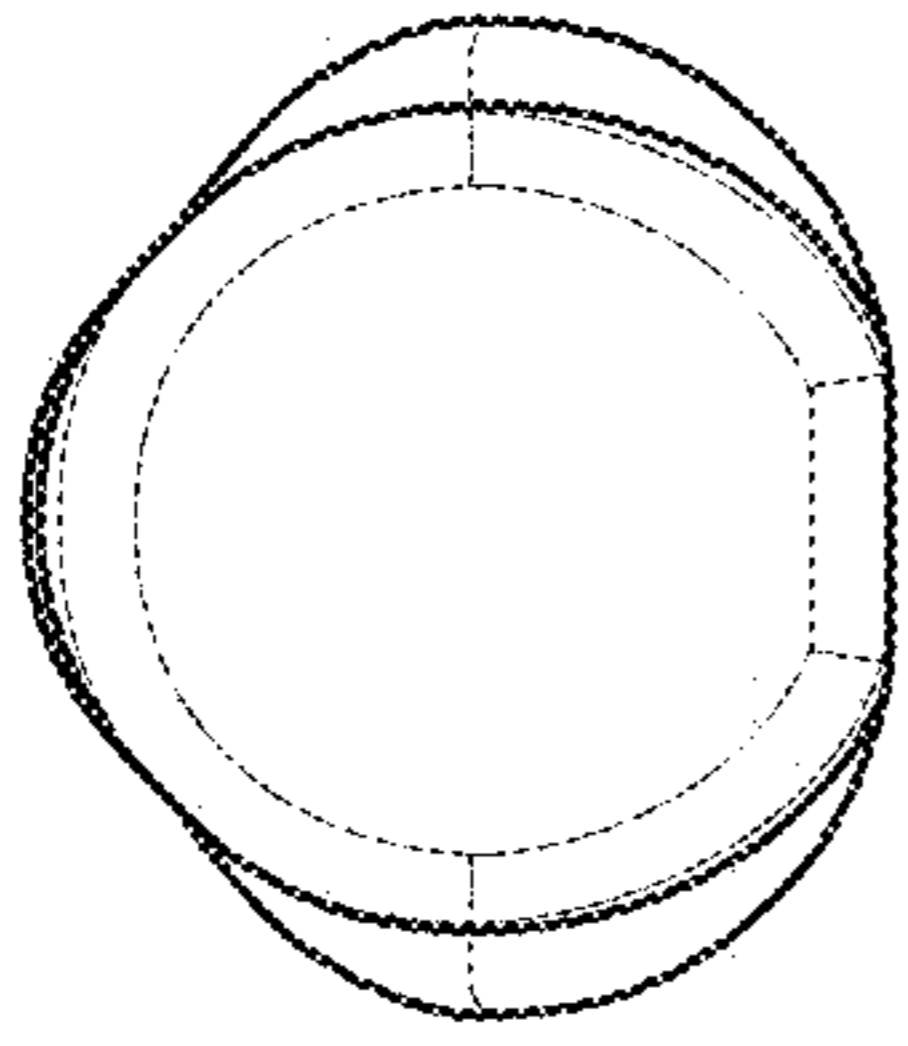


FIG. 4

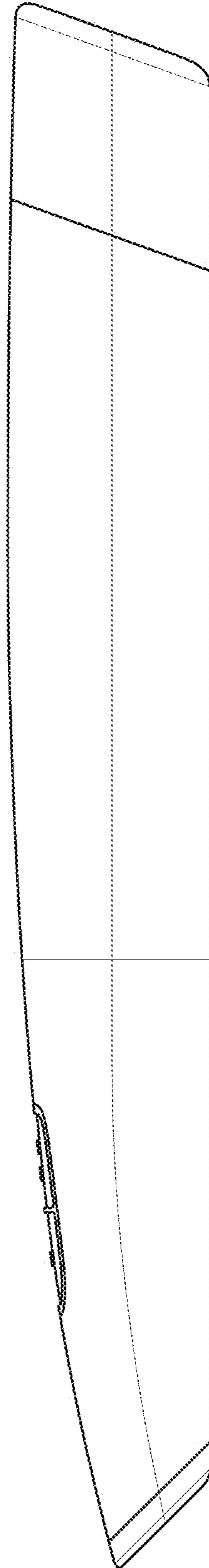


FIG. 5

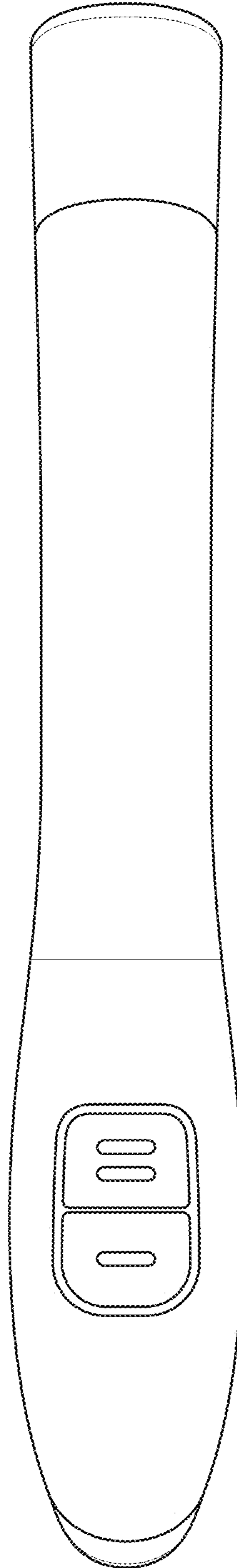


FIG. 6