



US00D923805S

(12) **United States Design Patent**
Li

(10) **Patent No.:** **US D923,805 S**

(45) **Date of Patent:** **** Jun. 29, 2021**

(54) **ANKLE ICE PACK**

(71) Applicant: **Shaoyuan Li**, Dengfeng (CN)

(72) Inventor: **Shaoyuan Li**, Dengfeng (CN)

(**) Term: **15 Years**

(21) Appl. No.: **29/748,069**

(22) Filed: **Aug. 27, 2020**

(51) **LOC (13) Cl.** **24-04**

(52) **U.S. Cl.**
USPC **D24/206; D24/207**

(58) **Field of Classification Search**
USPC D24/206-207, 190, 192; D29/121.2
CPC A61F 7/02; A61F 7/00; A61F 7/10; A61F
2007/0001; A61F 2007/0044; A61F
2007/0231; A61F 5/0111; A61F 5/0127
See application file for complete search history.

(56) **References Cited**

U.S. PATENT DOCUMENTS

D324,270 S *	2/1992	Raya	D24/206
5,743,867 A *	4/1998	Hickling	A61F 7/02 602/65
D404,494 S *	1/1999	Wood	D24/207
D477,413 S *	7/2003	Schirmacher	D24/206
D505,727 S *	5/2005	Krahner	D24/192
6,945,988 B1 *	9/2005	Jones	A61F 7/10 607/108
D510,626 S *	10/2005	Krahner	D24/206
D679,023 S	3/2013	Quisenberry		
D747,044 S	1/2016	McLachlan		
D784,624 S	4/2017	McLachlan		

D788,376 S	5/2017	McLachlan		
2008/0188786 A1 *	8/2008	Hickling	A61F 7/02 602/26
2010/0145421 A1 *	6/2010	Tomlinson	A61F 7/02 607/104
2016/0199222 A1 *	7/2016	Mullen, Sr.	A61F 7/02 607/112

* cited by examiner

Primary Examiner — Wan Laymon

(74) *Attorney, Agent, or Firm* — Law Offices of Steven W. Weinrieb

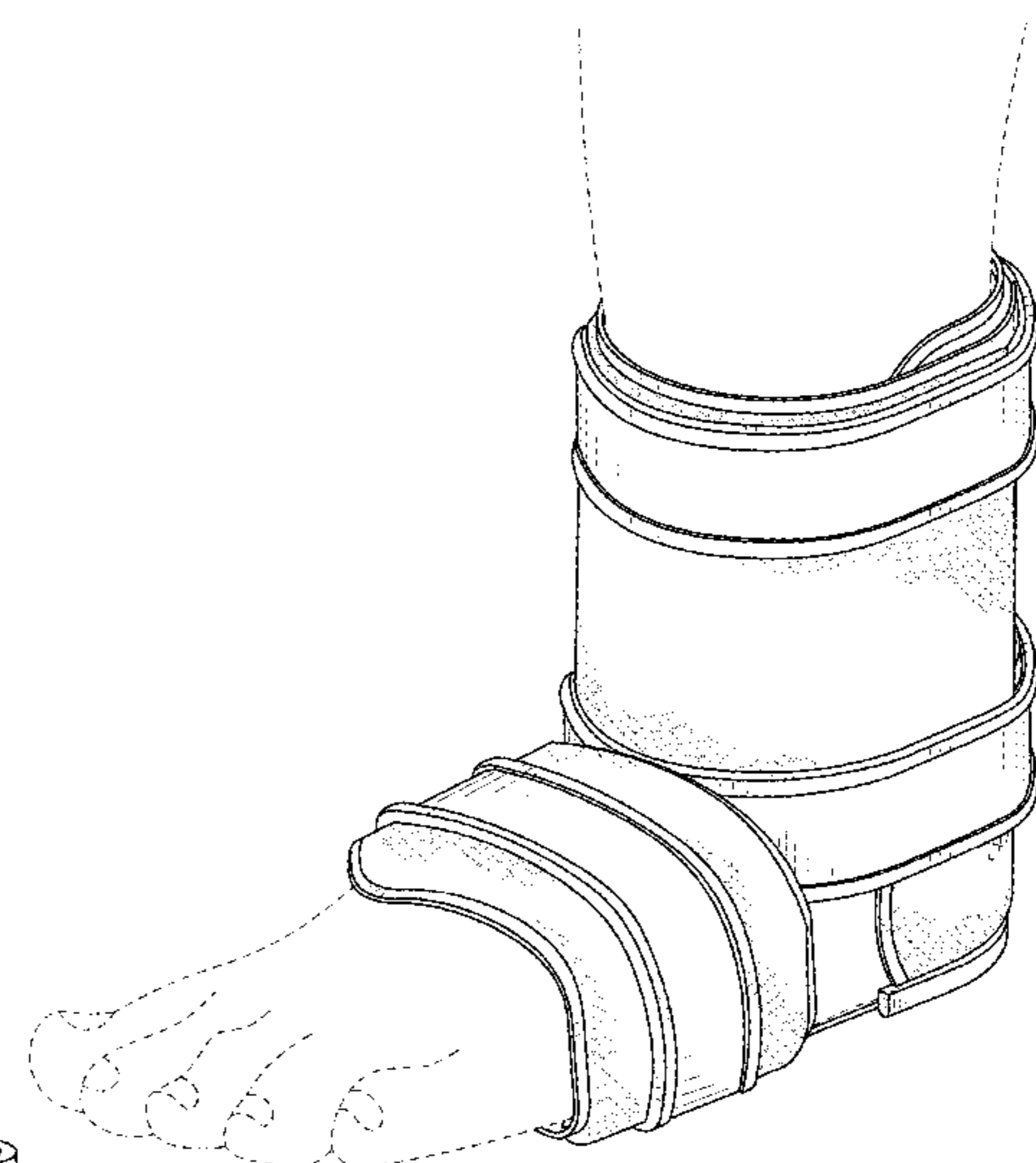
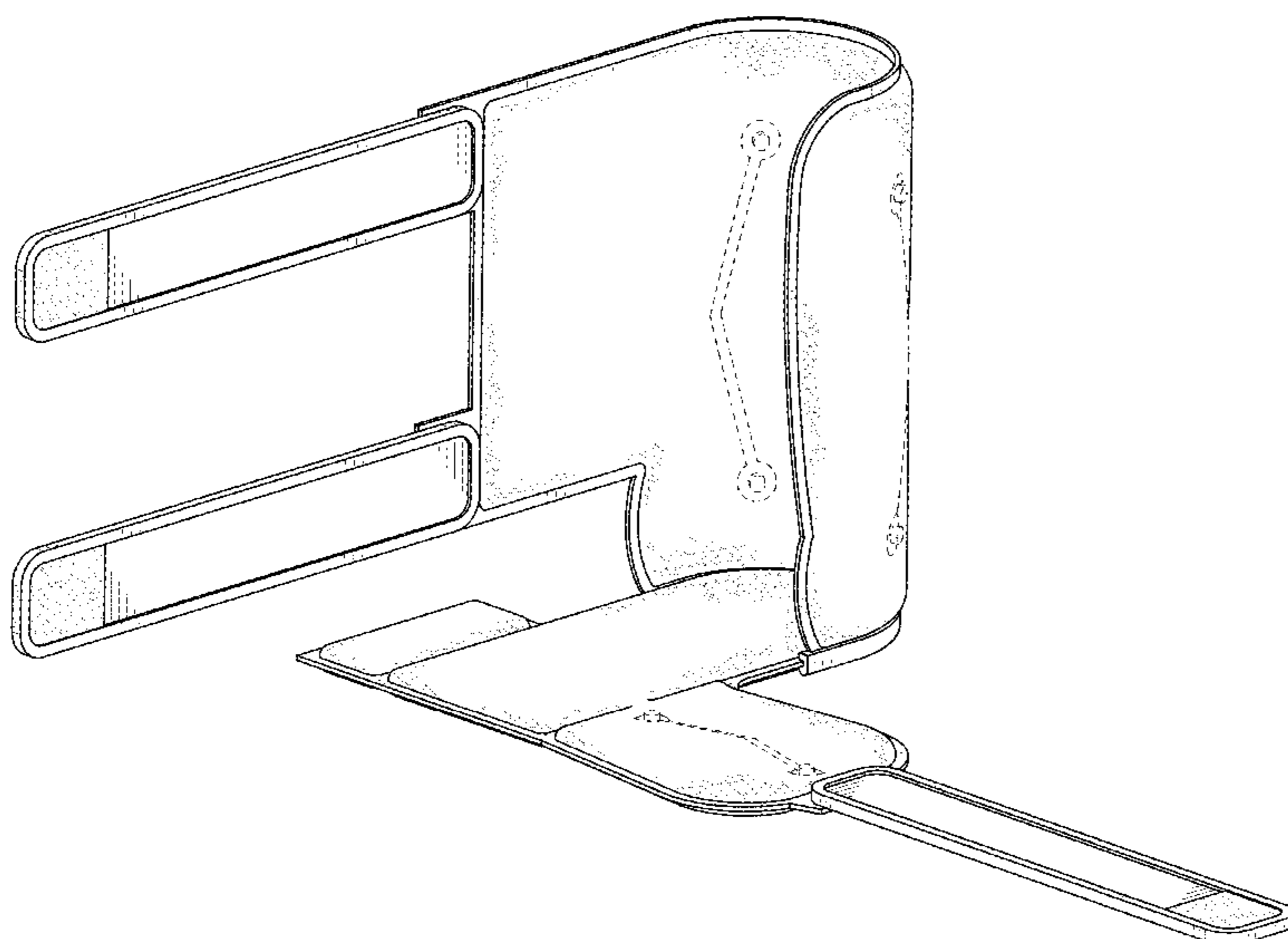
(57) **CLAIM**

The ornamental design for a ankle ice pack, as shown and described.

DESCRIPTION

FIG. 1 is a front, right side, top perspective view of an ankle ice pack showing my new design;
 FIG. 2 is a rear, left side, bottom perspective view thereof;
 FIG. 3 is a front elevational view thereof;
 FIG. 4 is a rear elevational view thereof;
 FIG. 5 is a left side elevational view thereof;
 FIG. 6 is a right side elevational view thereof;
 FIG. 7 is a top plan view thereof;
 FIG. 8 is a bottom plan view thereof; and,
 FIG. 9 is a front, right side, top perspective view thereof when being secured around the ankle area of a foot.
 The broken lines shown in the drawings illustrate portions of the ankle ice pack that form no part of the claimed design.
 In FIG. 9, the broken lines showing a foot depict environment and form no part of the claimed design.

1 Claim, 9 Drawing Sheets



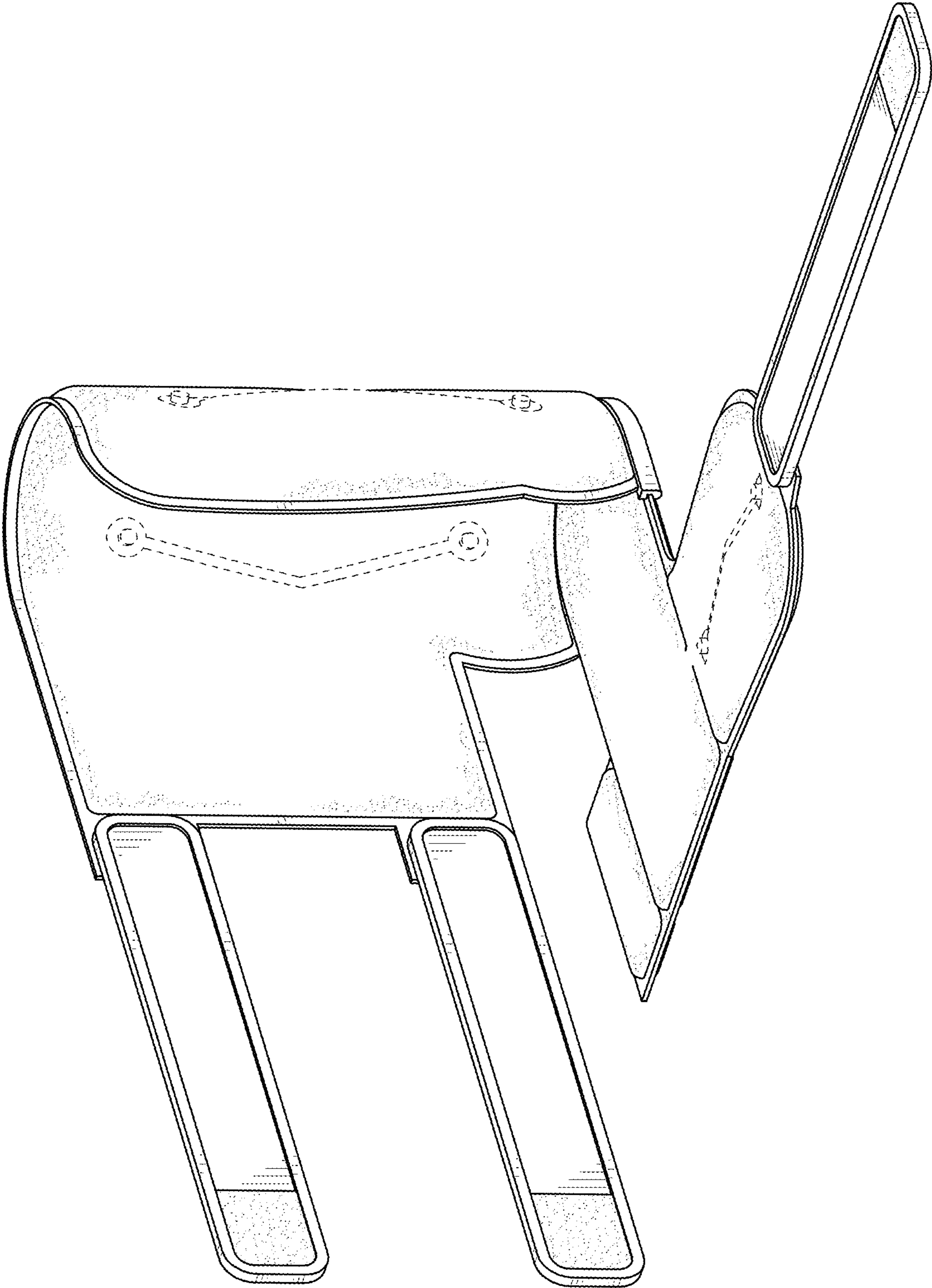


FIG. 1

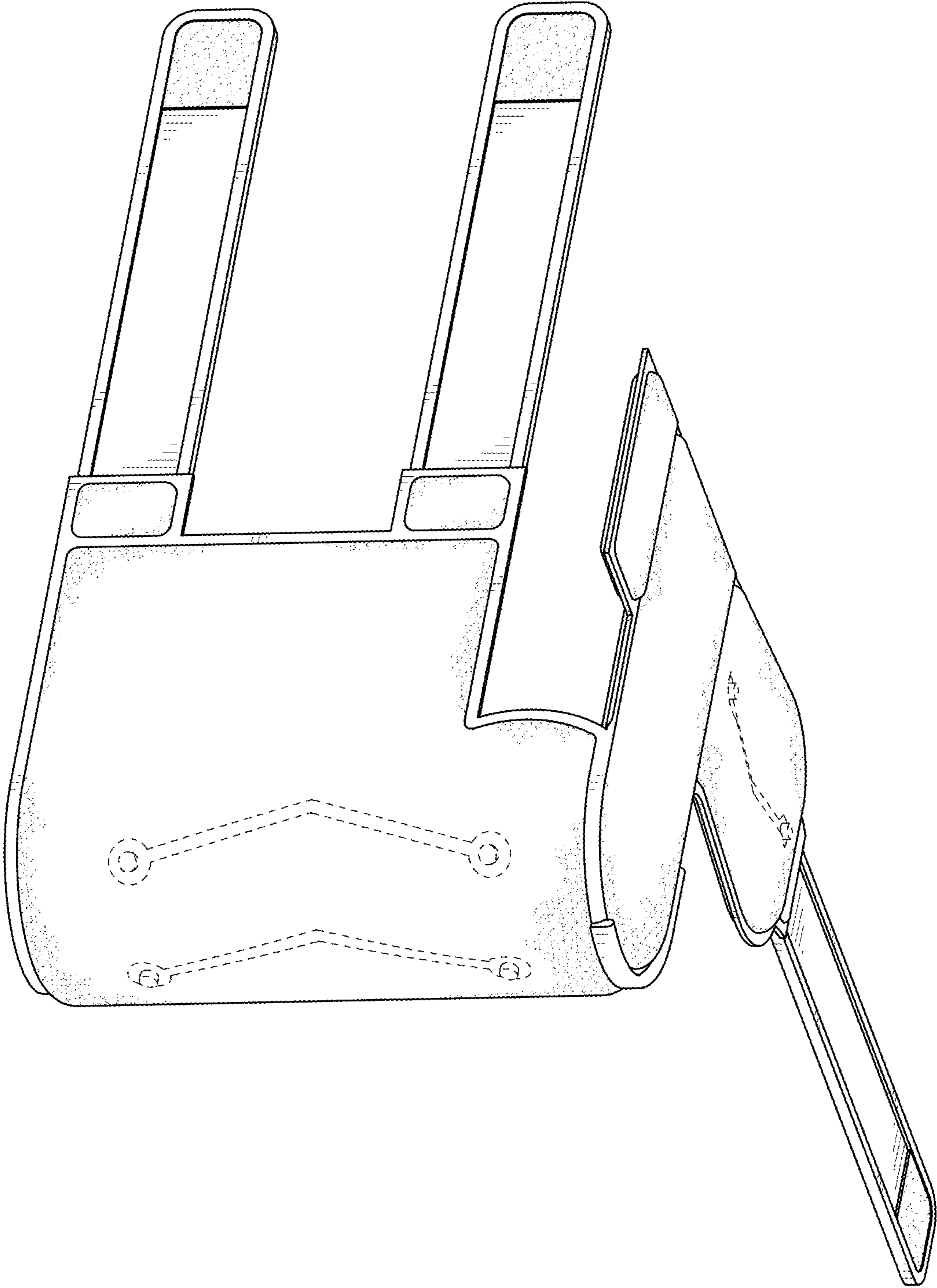


FIG. 2

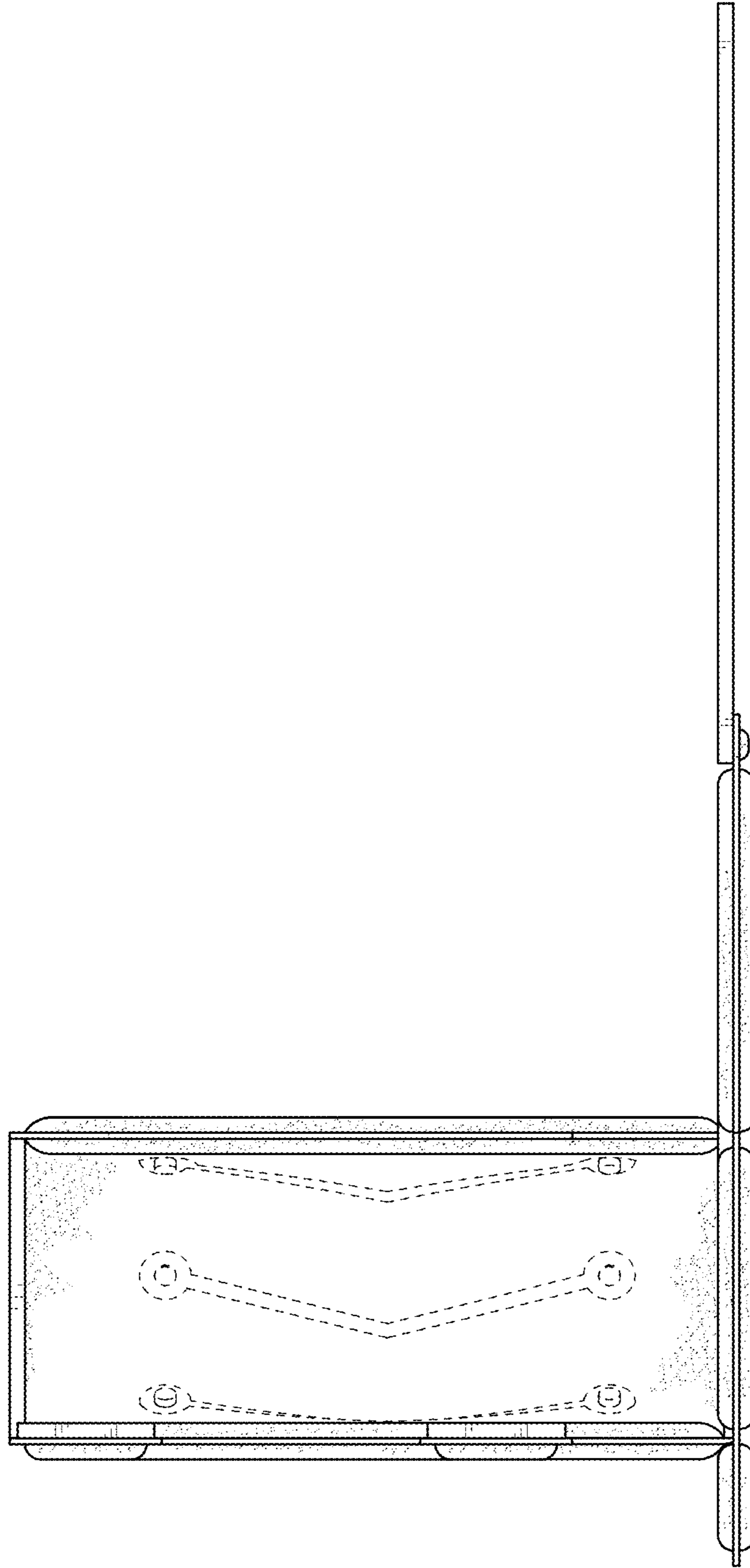


FIG. 3

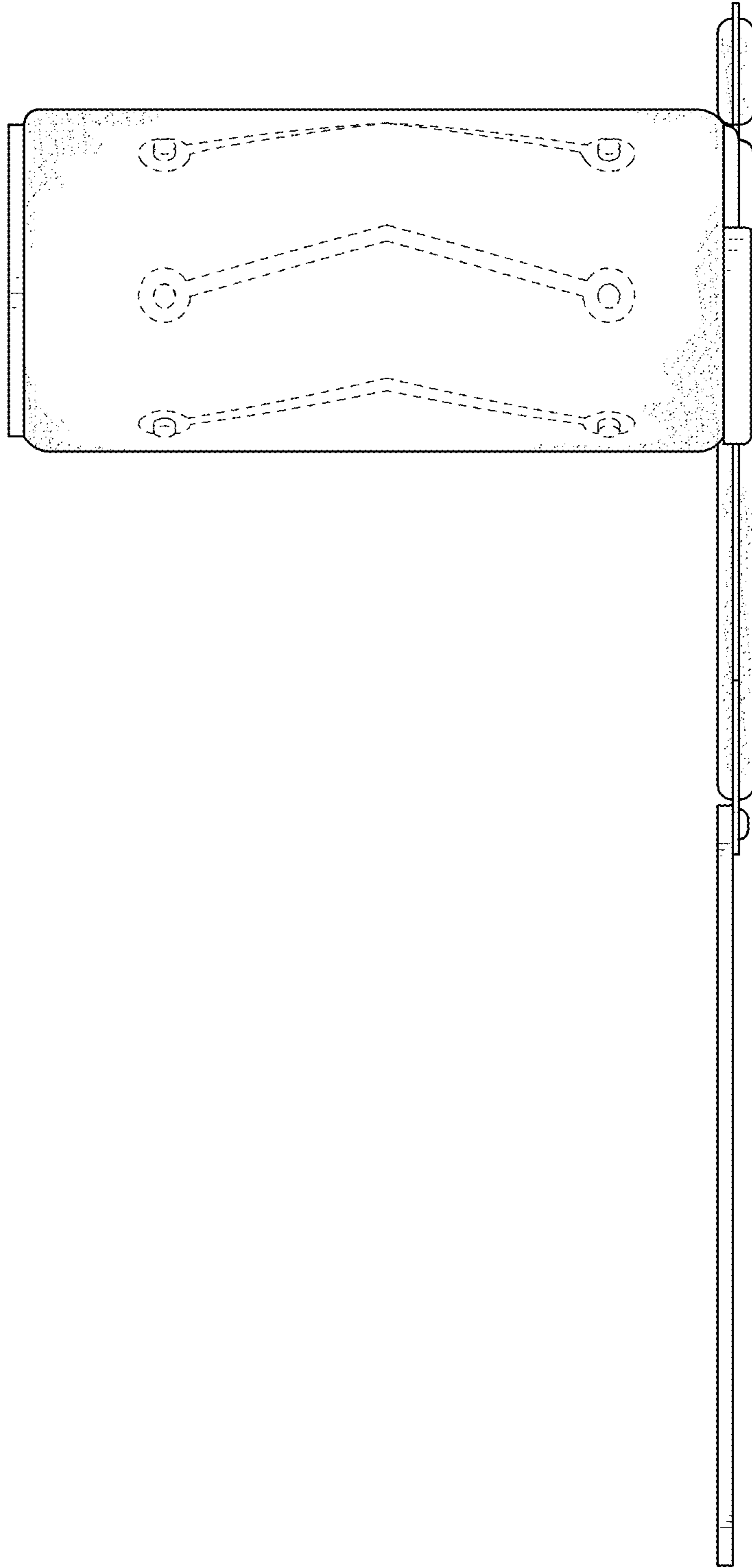


FIG. 4

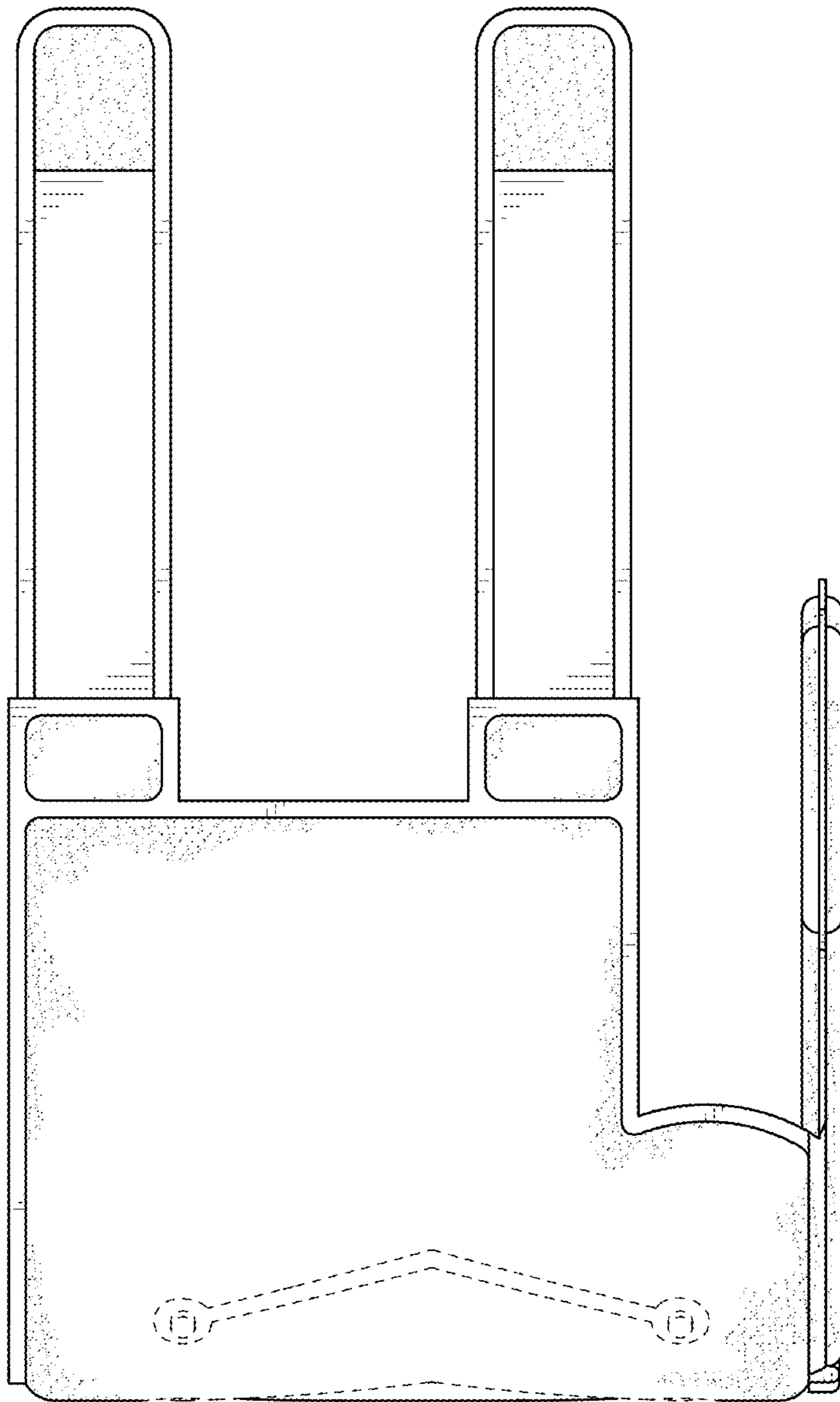


FIG. 5

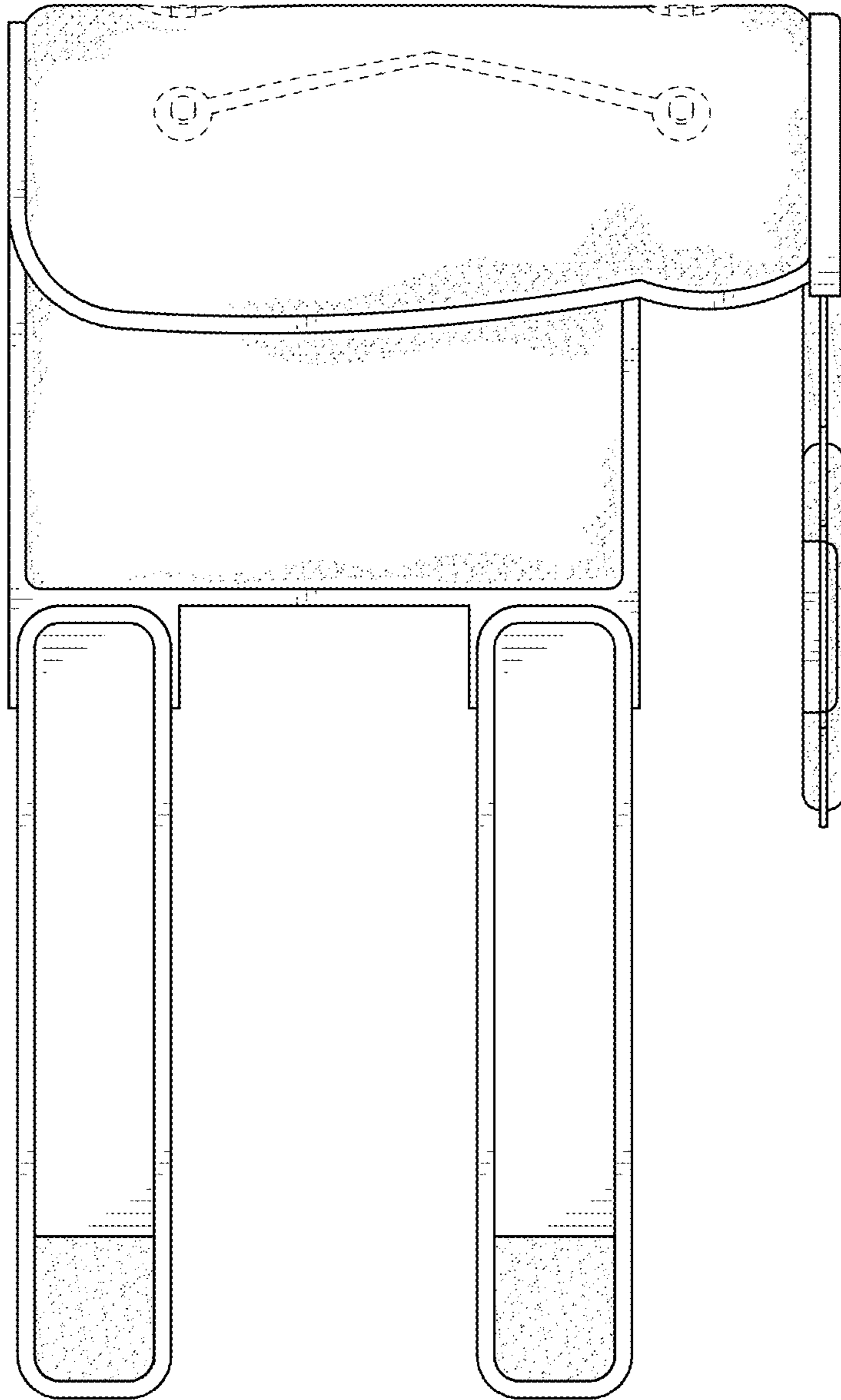


FIG. 6

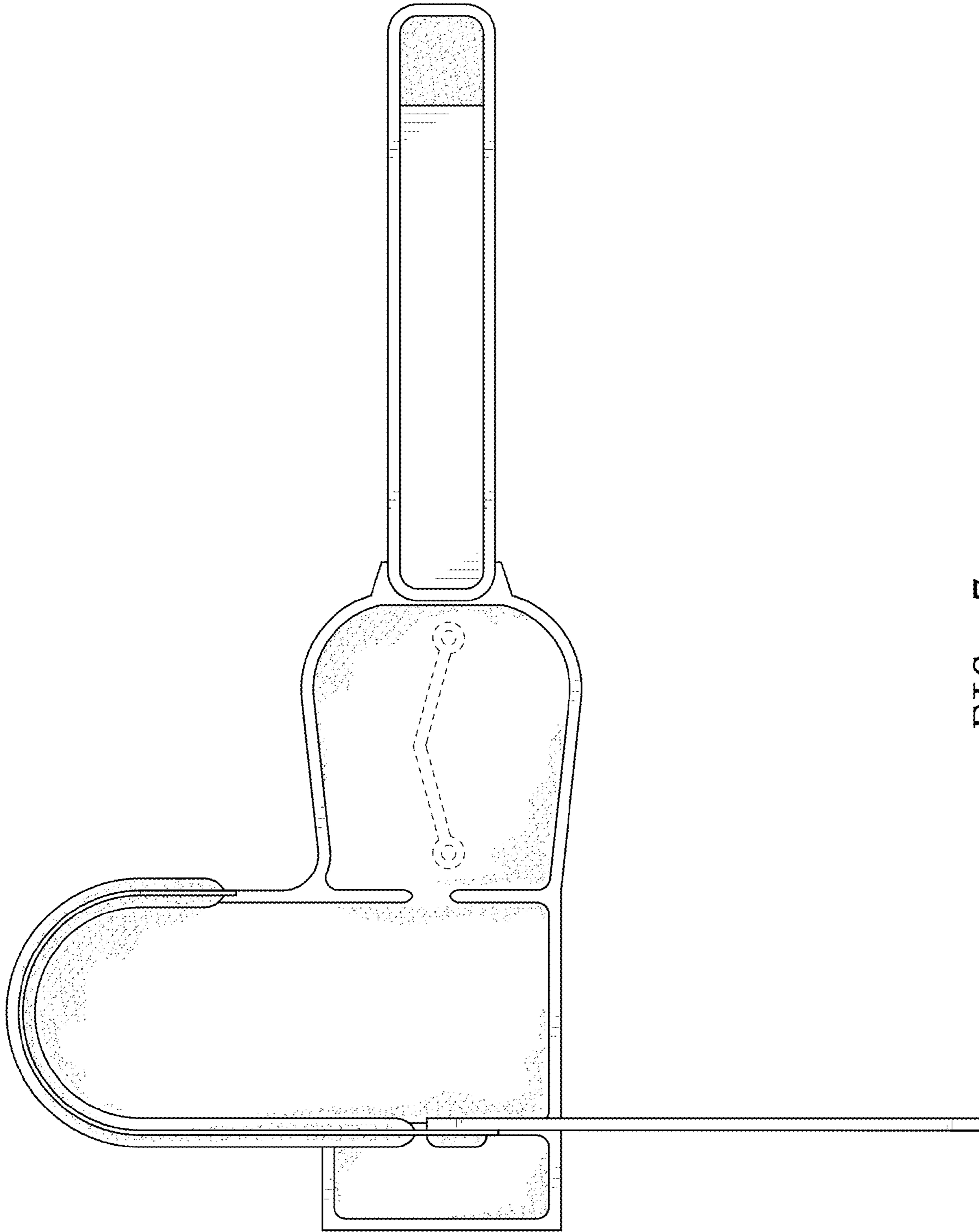


FIG. 7

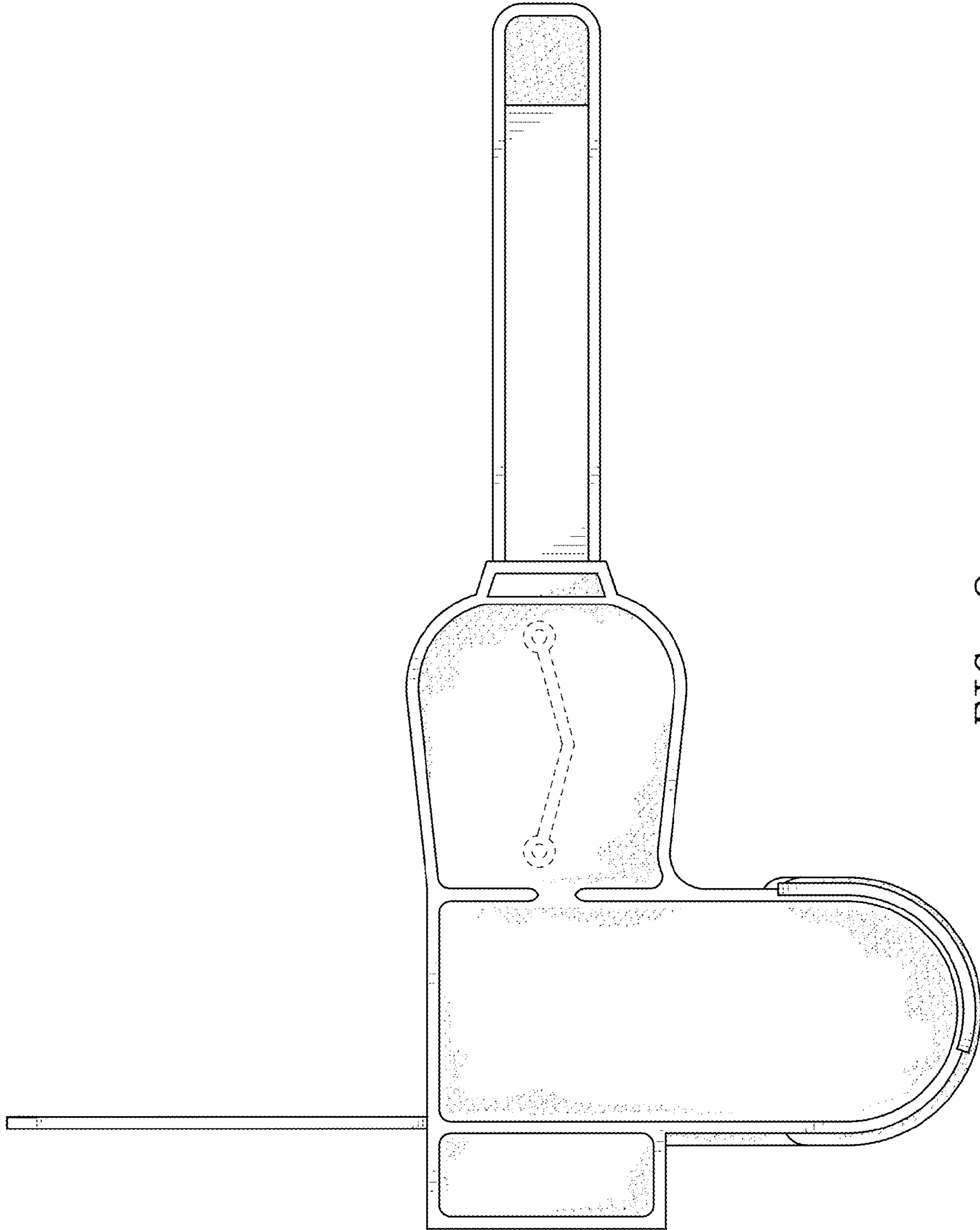


FIG. 8

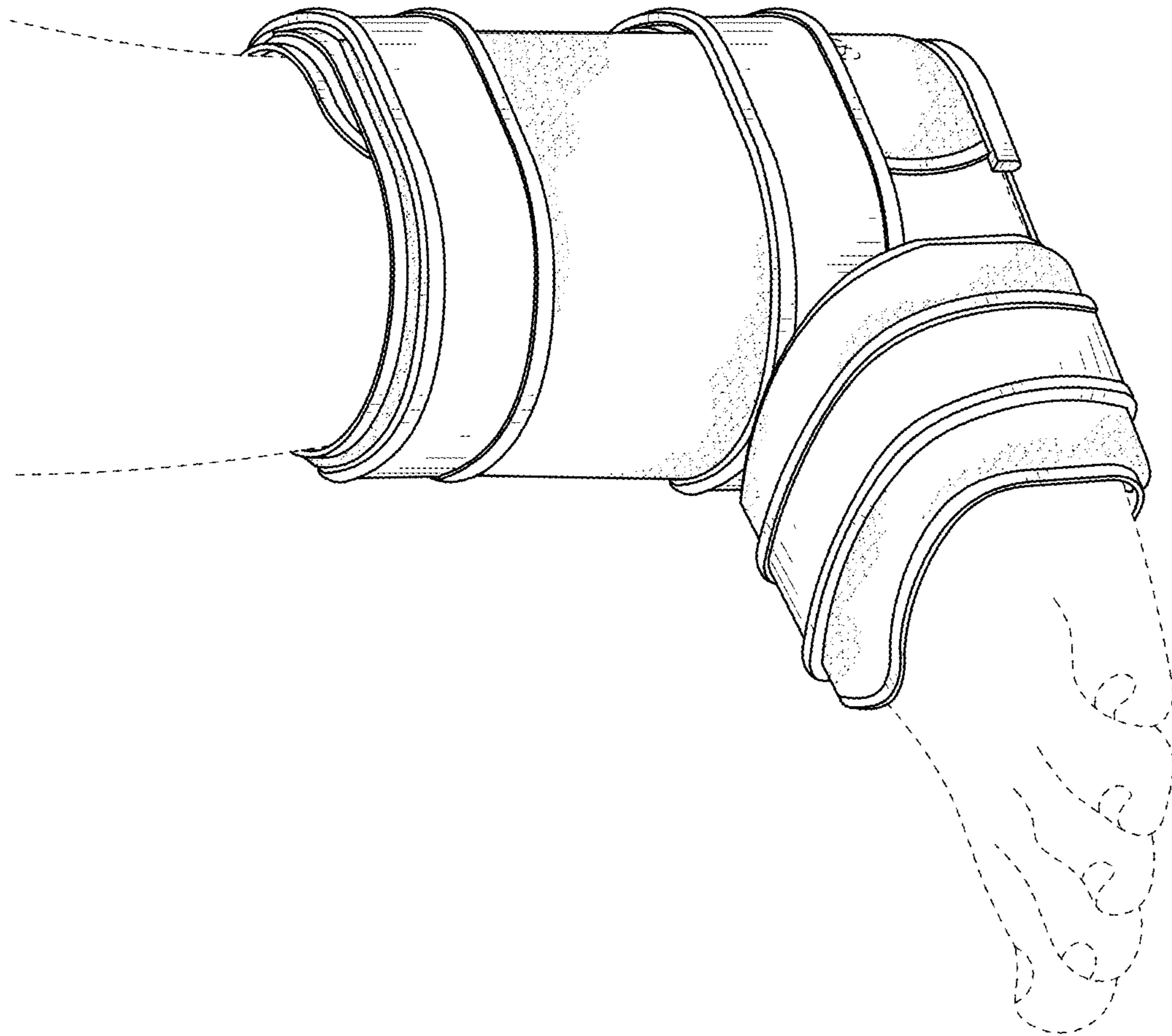


FIG. 9