



US00D923804S

(12) **United States Design Patent**
Cran

(10) **Patent No.:** **US D923,804 S**

(45) **Date of Patent:** **** Jun. 29, 2021**

- (54) **ACUPRESSURE DEVICE**
- (71) Applicant: **MAKE GREAT SALES LIMITED,**
Wanchai (HK)
- (72) Inventor: **Bruce Peter Cran,** Richmond (CA)
- (73) Assignee: **MAKE GREAT SALES LIMITED,**
Hong Kong (HK)
- (**) Term: **15 Years**
- (21) Appl. No.: **29/729,250**
- (22) Filed: **Mar. 25, 2020**
- (51) **LOC (13) Cl.** **28-03**
- (52) **U.S. Cl.**
USPC **D24/200**
- (58) **Field of Classification Search**
USPC D24/200, 106, 184, 214–215; D8/349,
D8/394
CPC A61H 39/00; A61H 39/04; A61H 39/08;
A61H 2205/00; A61H 2205/027; A61B
17/1325; A44C 7/004; A44C 7/005
See application file for complete search history.

- D546,464 S * 7/2007 Savoia D24/200
- D616,559 S * 5/2010 Boyer D24/200
- D623,306 S * 9/2010 Boyer D24/200
- D670,396 S * 11/2012 Doogan D24/200
- D796,686 S * 9/2017 Internicola D24/200
- 2007/0093867 A1* 4/2007 Savoia A61H 39/04
606/204

* cited by examiner

Primary Examiner — Wan Laymon

(74) *Attorney, Agent, or Firm* — Onello & Mello, LLP

(57) **CLAIM**

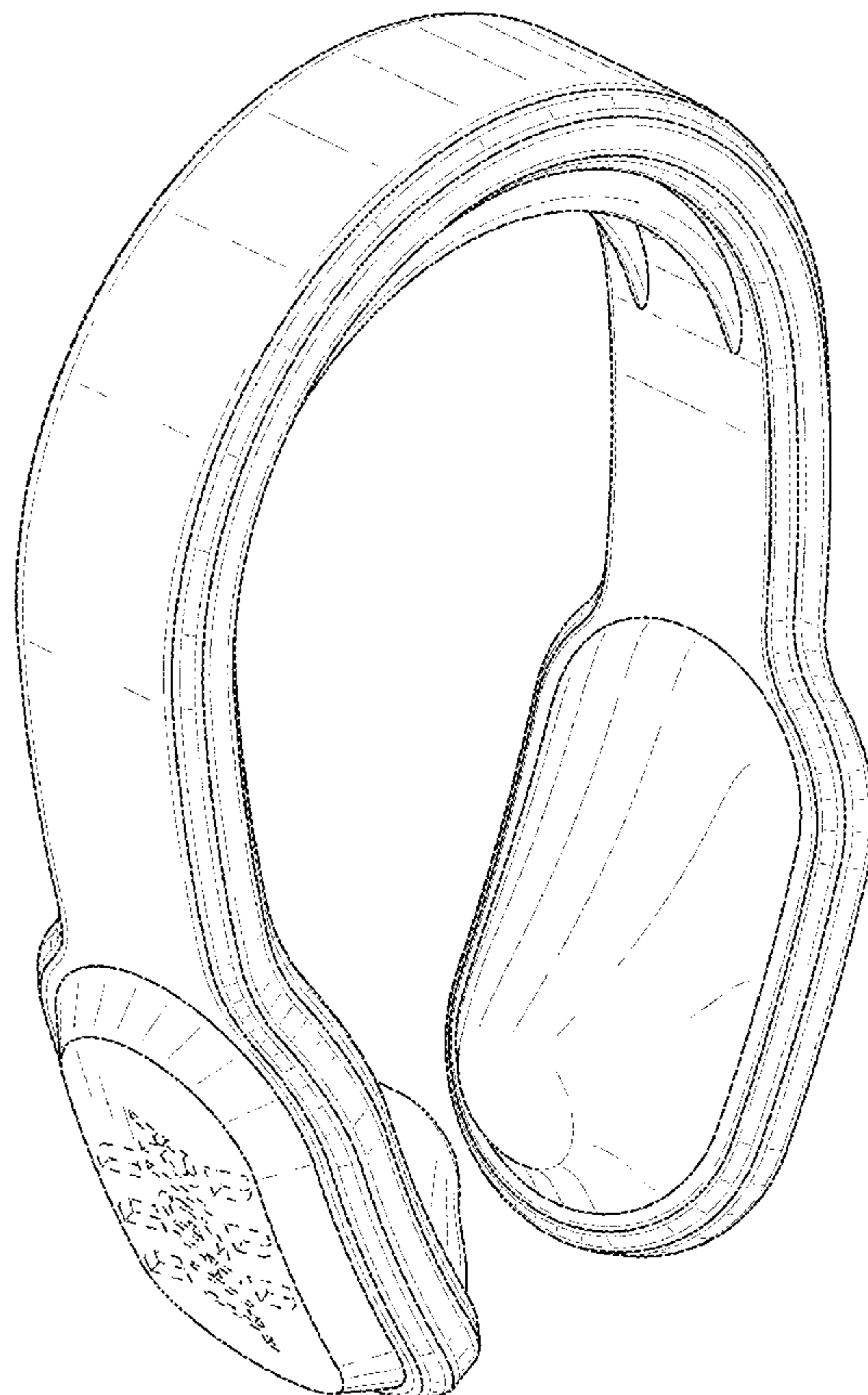
The ornamental design for an acupressure device, as shown and described.

DESCRIPTION

FIG. 1 is an isometric view of an acupressure device, in accordance with my design;
 FIG. 2 is a front view of the acupressure device of FIG. 1;
 FIG. 3 is a rear view of the acupressure device of FIG. 1;
 FIG. 4 is a right side view of the acupressure device of FIG. 1;
 FIG. 5 is a left side of the acupressure device of FIG. 1;
 FIG. 6 is a top view of the acupressure device of FIG. 1; and,
 FIG. 7 is a bottom view of the acupressure device of FIG. 1.
 In the drawings, broken line areas illustrate environmental subject matter and form no part of the claimed design.

1 Claim, 5 Drawing Sheets

- (56) **References Cited**
U.S. PATENT DOCUMENTS
- 5,366,475 A * 11/1994 Voss A61H 39/04
606/204
- 5,662,679 A * 9/1997 Voss A61H 39/04
606/151



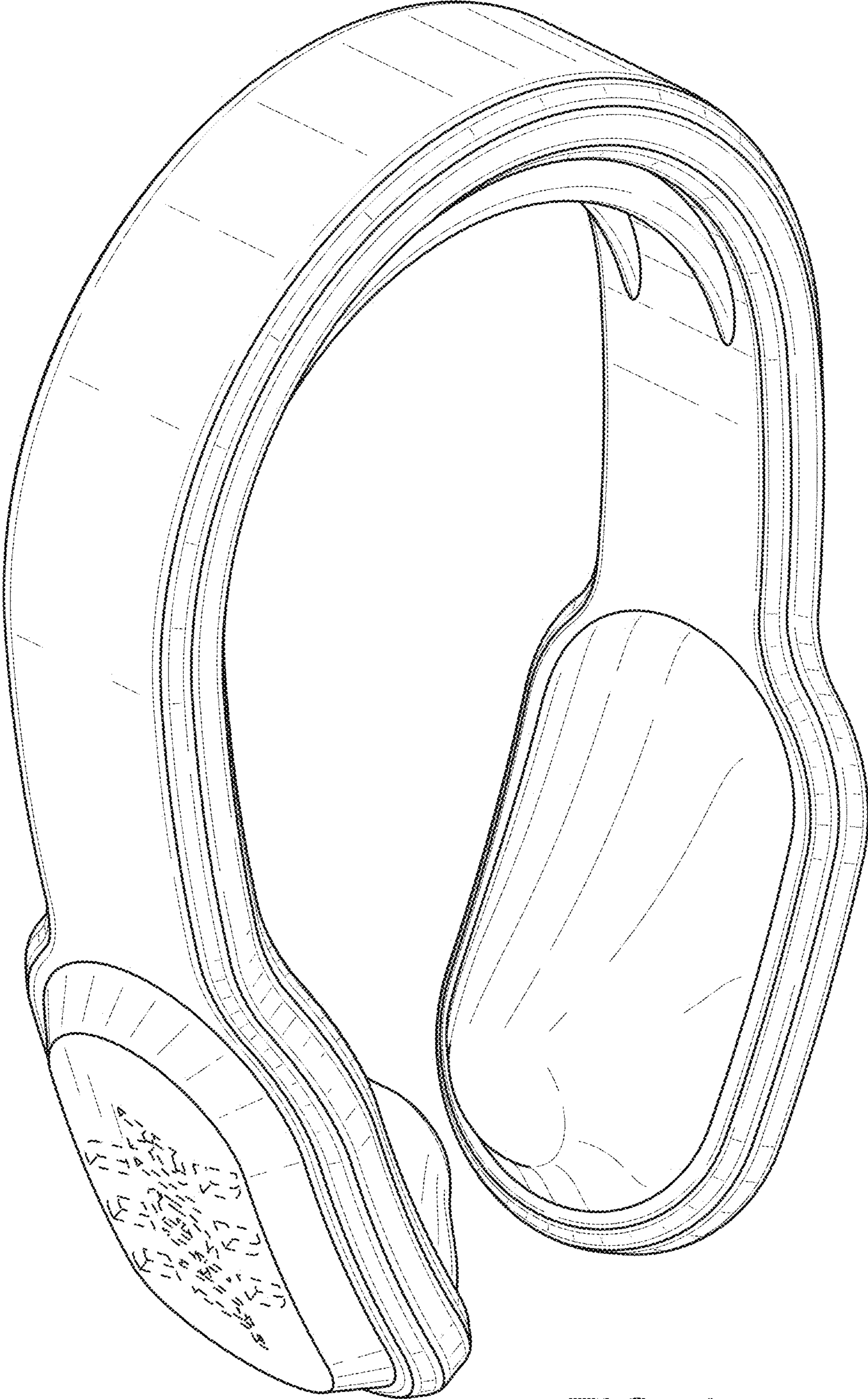


FIG. 1

FIG. 2

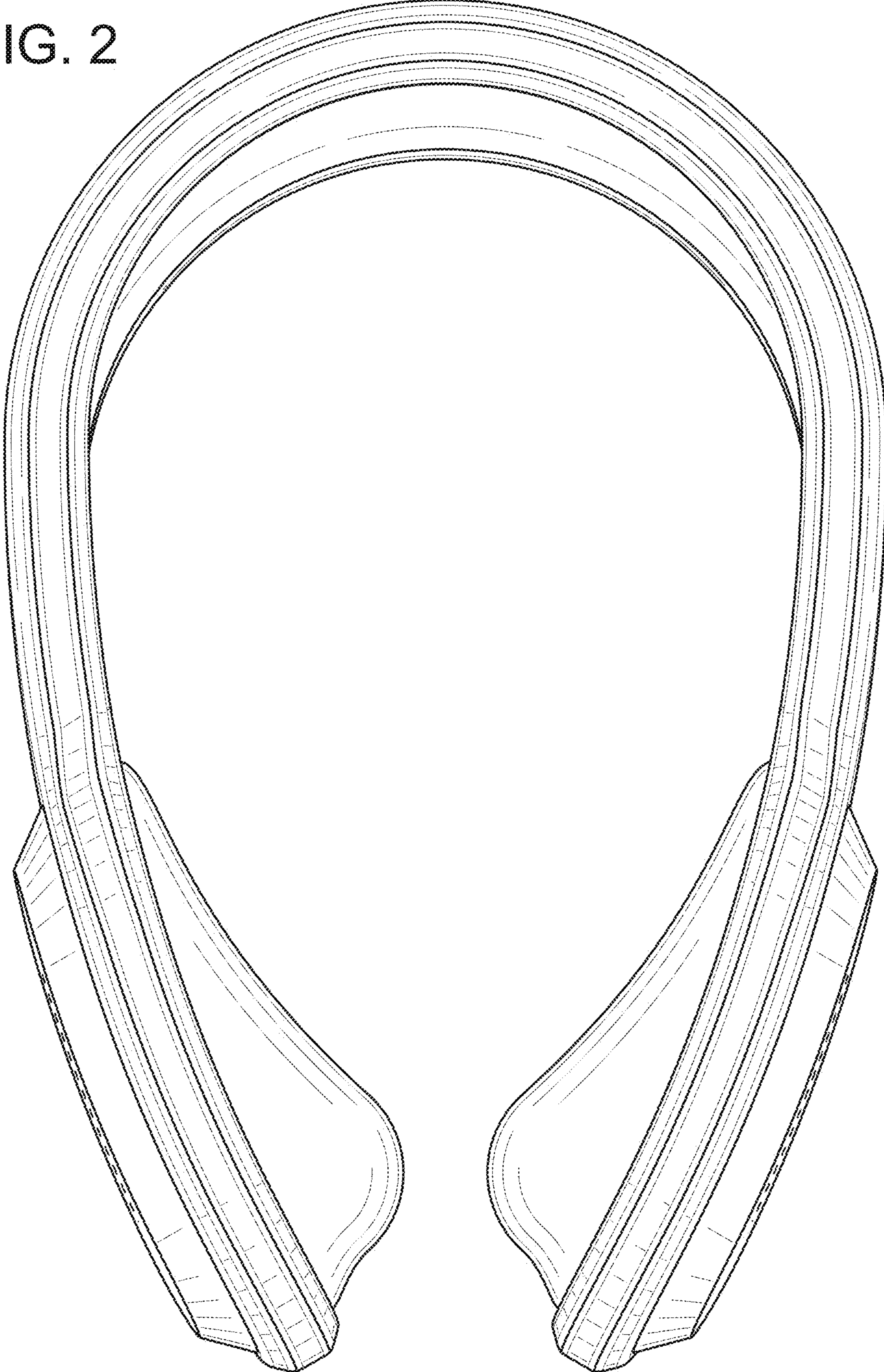
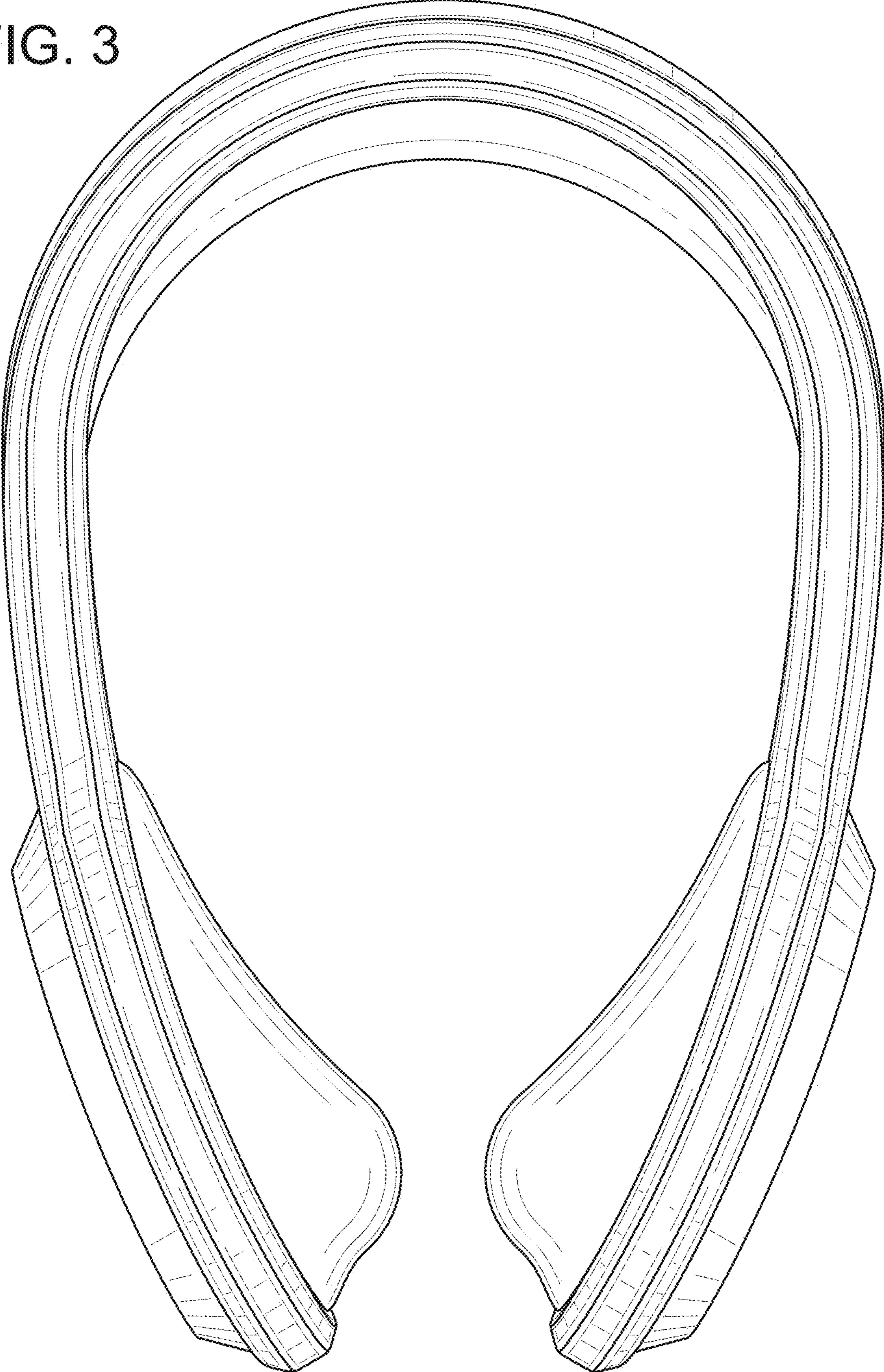


FIG. 3



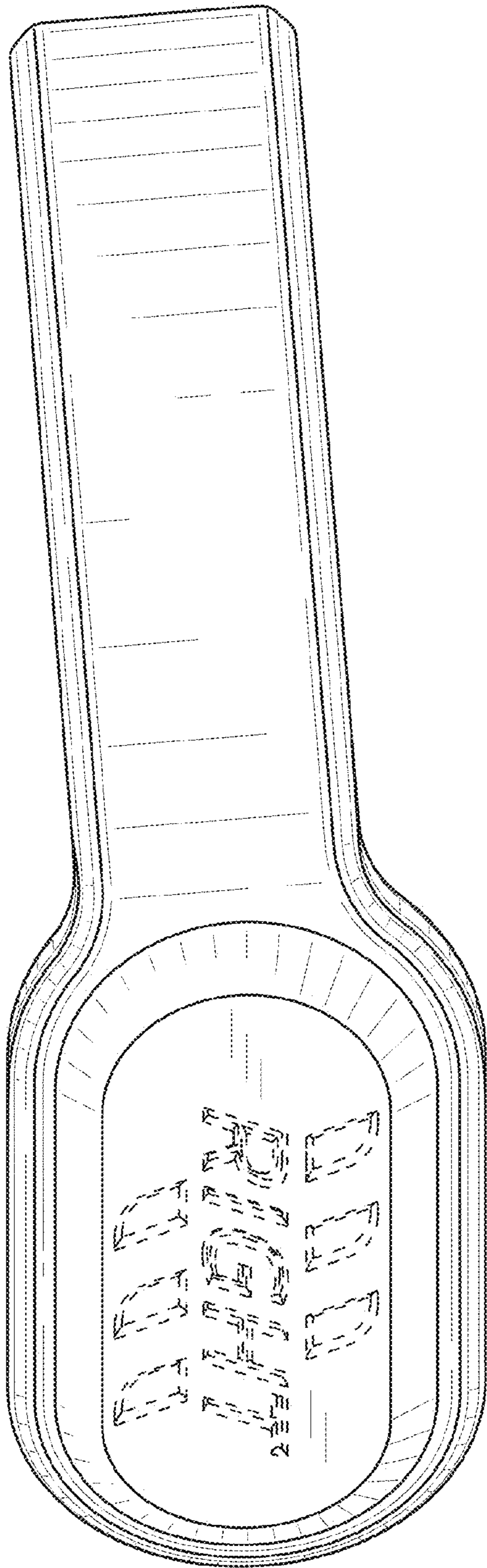


FIG. 4

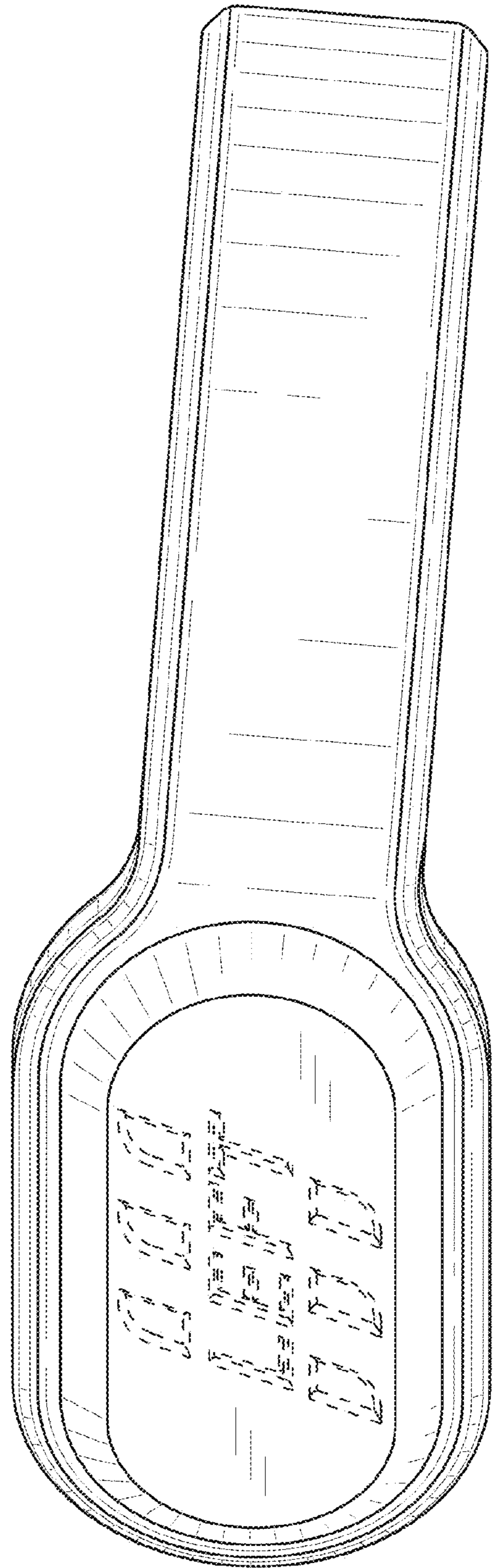


FIG. 5

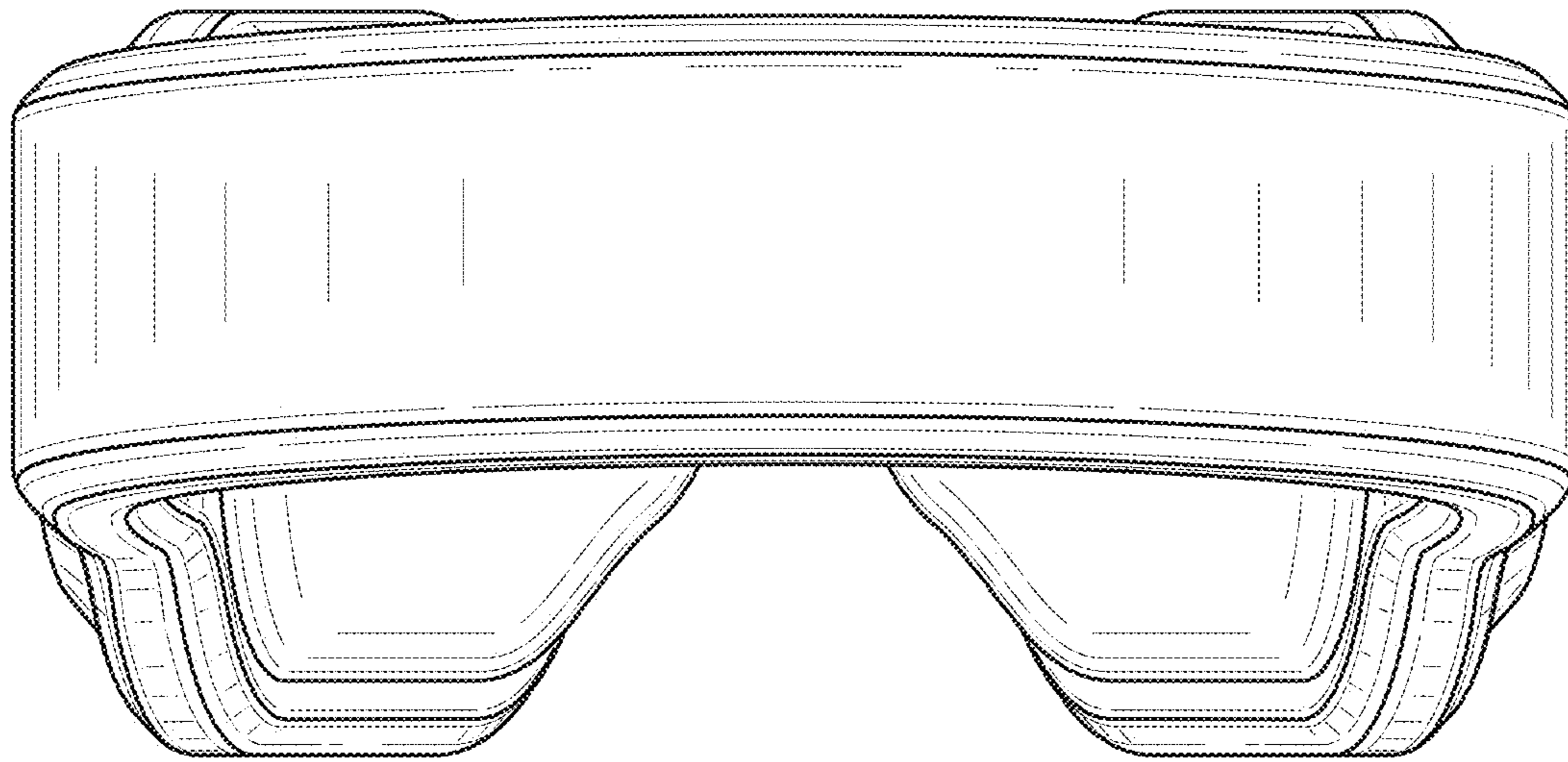


FIG. 6

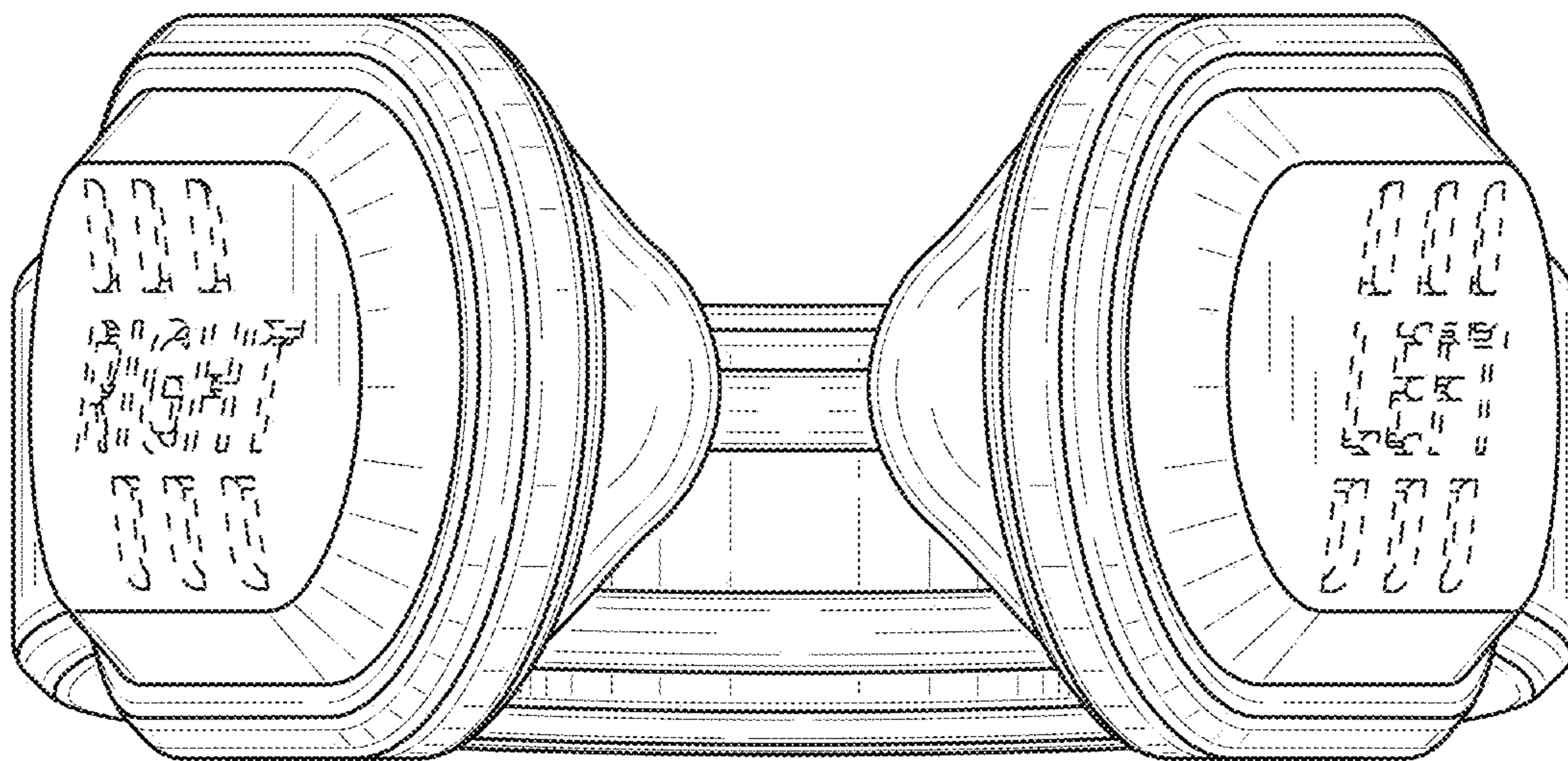


FIG. 7