



US00D923802S

(12) **United States Design Patent**
Jones

(10) **Patent No.:** **US D923,802 S**
(45) **Date of Patent:** **** Jun. 29, 2021**

(54) **PACIFIER**

(71) Applicant: **Jason Norfleet Jones**, Austin, TX (US)

(72) Inventor: **Jason Norfleet Jones**, Austin, TX (US)

(**) Term: **15 Years**

(21) Appl. No.: **29/707,559**

(22) Filed: **Sep. 29, 2019**

(51) **LOC (13) Cl.** **24-04**

(52) **U.S. Cl.**
USPC **D24/195**

(58) **Field of Classification Search**
USPC D24/115, 117, 193, 194, 195, 196, 197;
D30/160; D21/576, 596, 604, 616, 619,
D21/652

CPC A61J 17/00; A61J 17/001
See application file for complete search history.

(56) **References Cited**

U.S. PATENT DOCUMENTS

D413,387 S *	8/1999	Fitzpatrick	D24/194
D481,461 S *	10/2003	Roehrig	D24/194
6,809,644 B1 *	10/2004	Titus	G08B 21/0208 340/539.32
D594,559 S *	6/2009	Kliegman	D24/194
D655,015 S *	2/2012	Castro Barreras	D24/194
D662,599 S *	6/2012	Rhodes, II	D24/194
D691,277 S *	10/2013	McCarty	D24/194
D748,811 S *	2/2016	Lee	D24/194
9,770,394 B1 *	9/2017	Velazquez	A61J 17/109
2012/0265244 A1 *	10/2012	Valderrama	A61J 17/001 606/234
2013/0331888 A1 *	12/2013	Antinnes	A61J 17/001 606/236
2014/0221917 A1 *	8/2014	Oates, II	A61J 17/001 604/79
2015/0051646 A1 *	2/2015	Chan	A61J 17/02 606/236

OTHER PUBLICATIONS

“The Bitten Mitten: Texas Teethers”. Found online Aug. 31, 2020 at facebook.com. Reference dated Feb. 15, 2017. Retrieved from

<https://www.facebook.com/thebittenmittenteether/photos/a.834191050020732/1031012027005299/?type=3>.
“Philips Avent Bear Shape Pacifier”. Found online Sep. 29, 2020 at amazon.co.uk. Reference dated Oct. 5, 2016. Retrieved from https://www.amazon.co.uk/...rd_wg=rJepe&pf_rd_p=b9bf232d-9a8a-4c7d-aa9d-641c0995d3a2&pf_rd_r=YMR4F938CWAPZDMV3DEZ&psc=1&refRID=YMR4F938CWAPZDMV3DEZ.
“FridaBaby MediFrida, The Accu-Dose Pacifier”. Found online Aug. 31, 2020 at albeebaby.com. Reference dated Dec. 25, 2017. Retrieved from <https://www.albeebaby.com/fridababy-medifrida-the-accu-dose-pacifier.html>.
“Born in Texas”. Found online Aug. 31, 2020 at everyday-reading.com. Reference dated Aug. 17, 2010. Retrieved from <https://everyday-reading.com/i-wasnt-born-in-texas-but-i-got-here-as/>.

* cited by examiner

Primary Examiner — Kendra Leslie Hamilton
(74) *Attorney, Agent, or Firm* — Invention To Patent Services; Alex Hobson

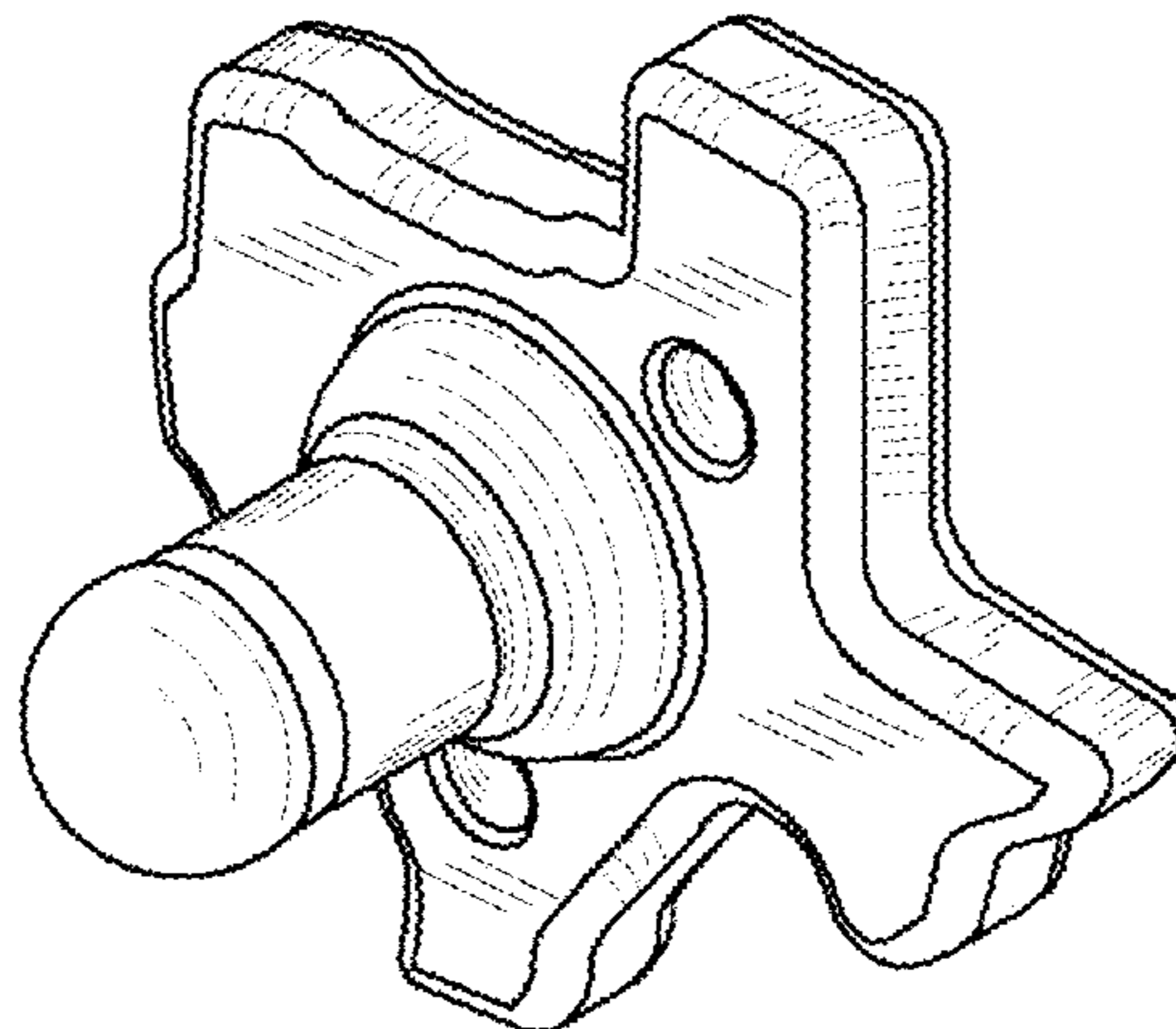
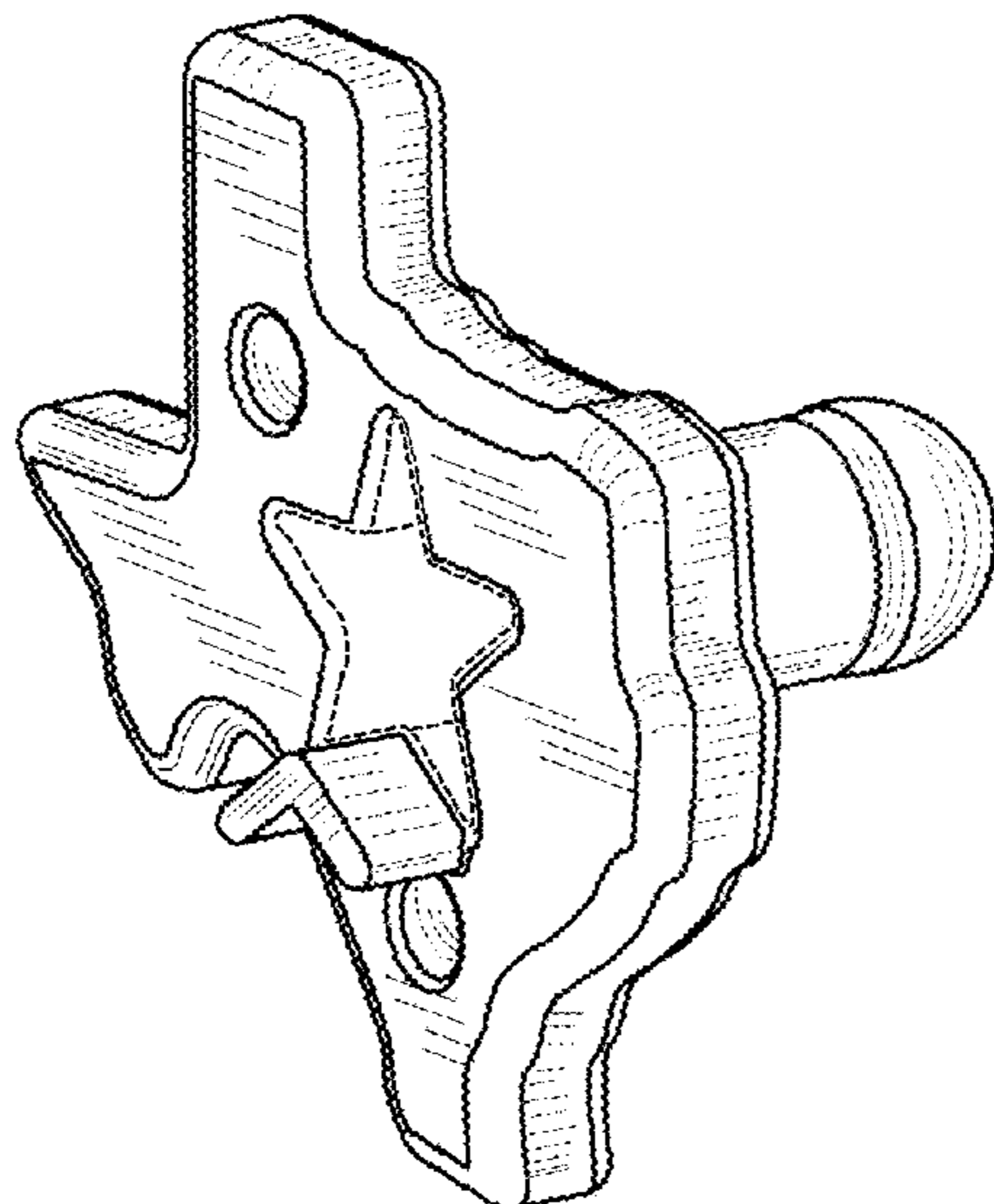
(57) **CLAIM**

The ornamental design for a pacifier, as shown and described.

DESCRIPTION

FIG. 1 is a top, front, right perspective view of a pacifier, showing my new design;
FIG. 2 is a front elevation view thereof;
FIG. 3 is a rear elevation view thereof;
FIG. 4 is a top plan thereof;
FIG. 5 is right side elevation view thereof;
FIG. 6 is a left side elevation view thereof;
FIG. 7 is a bottom plan view thereof;
FIG. 8 is a top, front, left perspective view thereof; and,
FIG. 9 is a top, rear, left perspective view thereof.
The equal-length broken lines in the drawings depict portions of the pacifier that form no part of the claimed design.

1 Claim, 9 Drawing Sheets



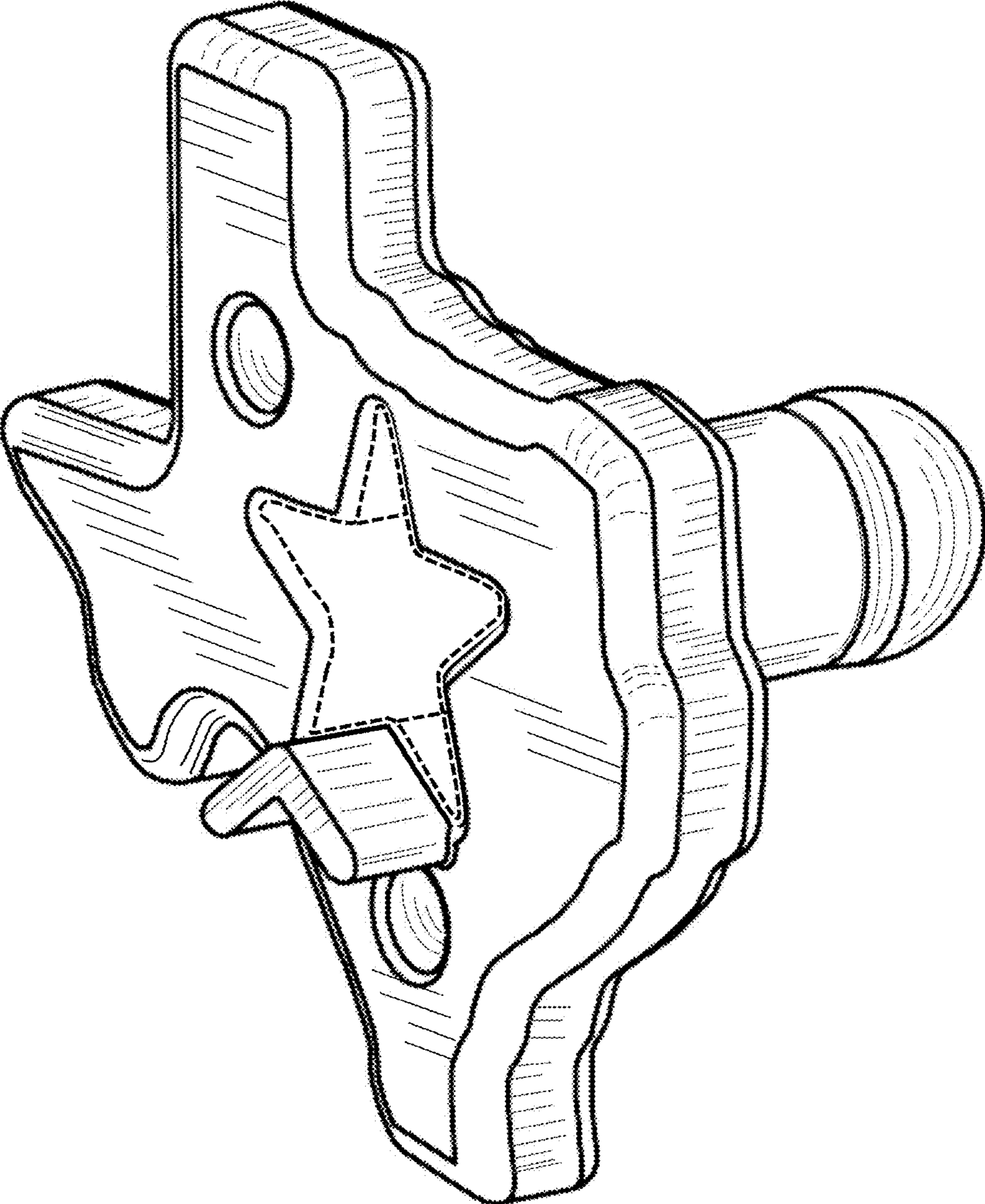


FIG. 1

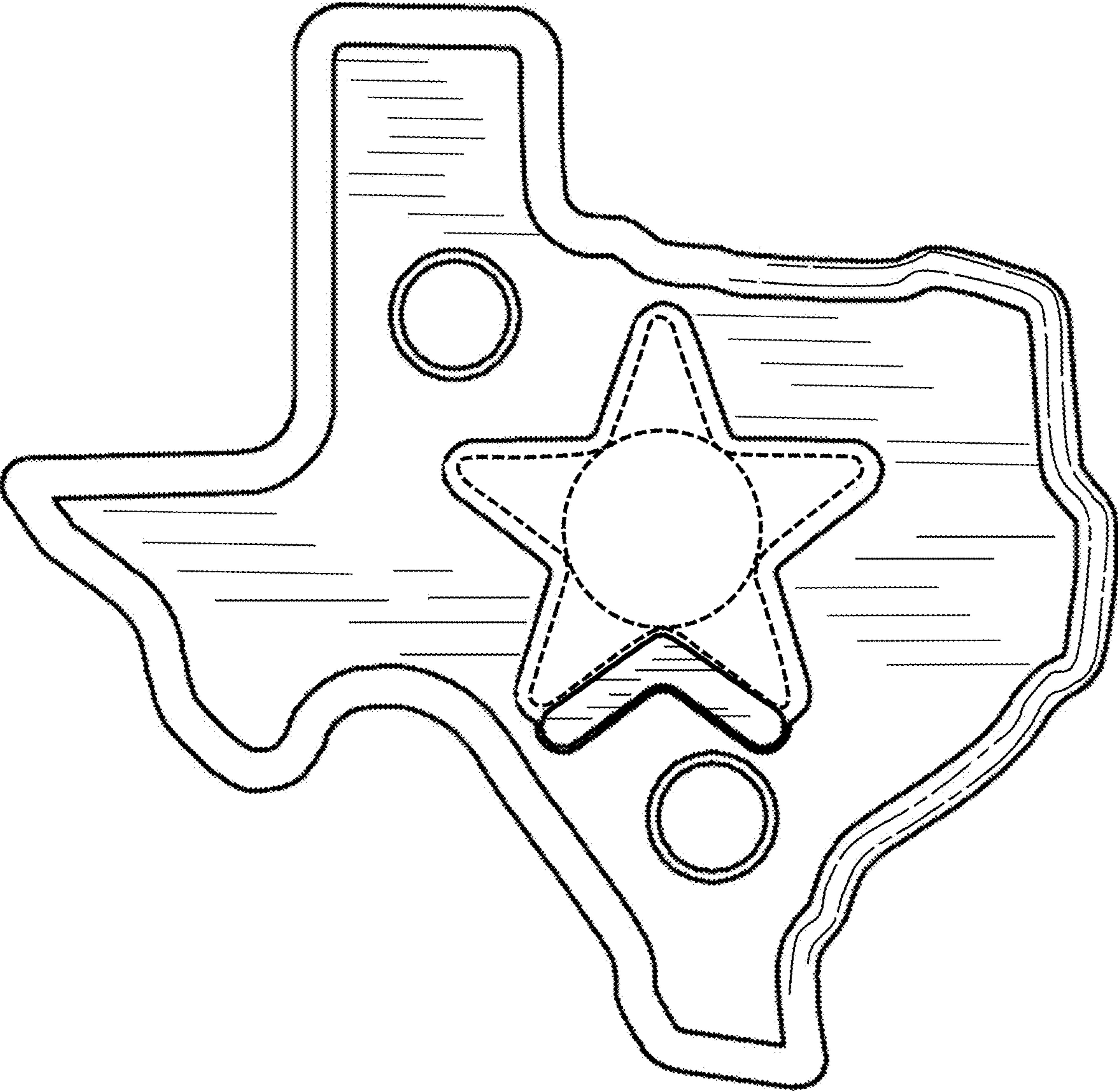


FIG. 2

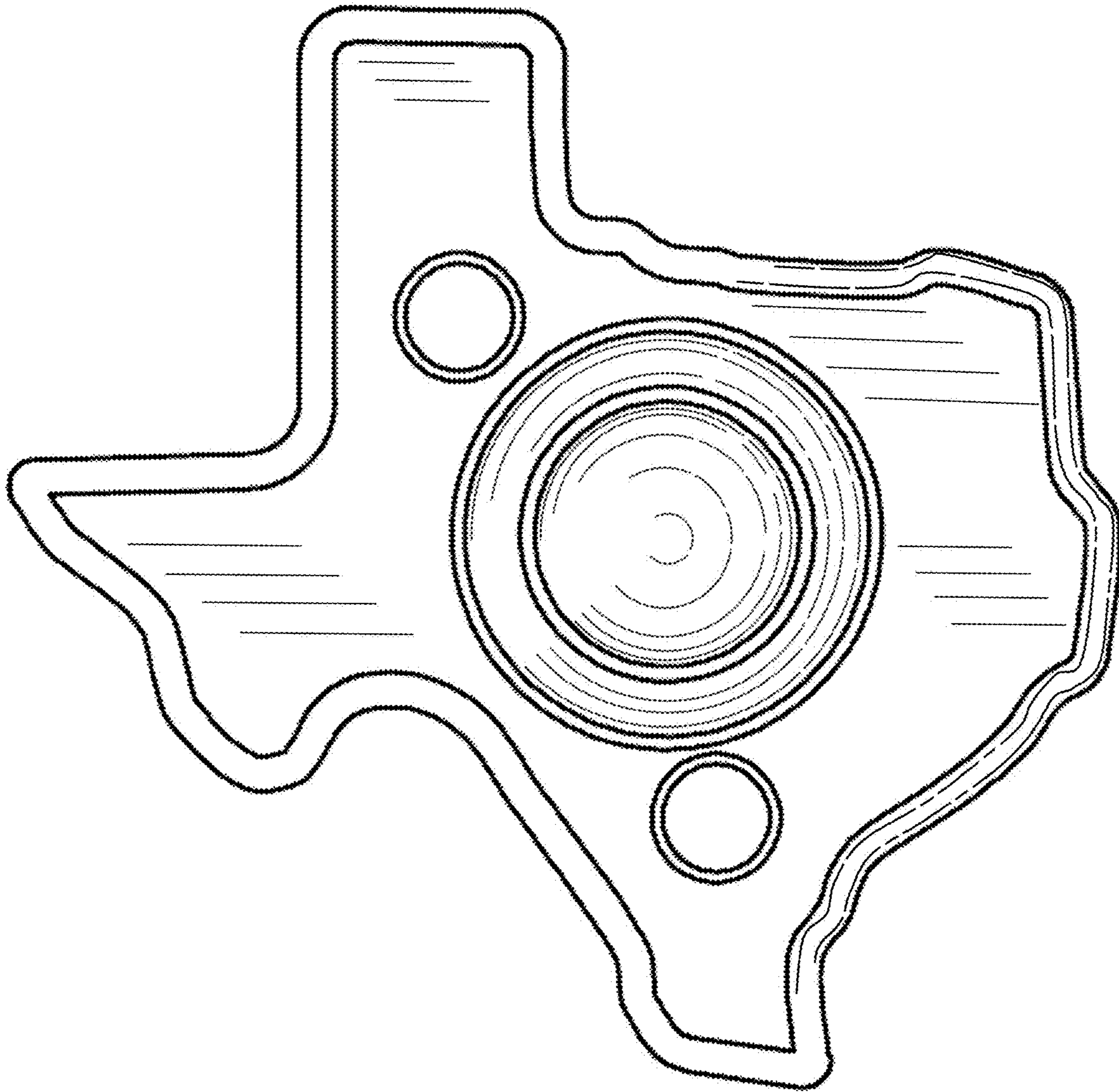


FIG. 3

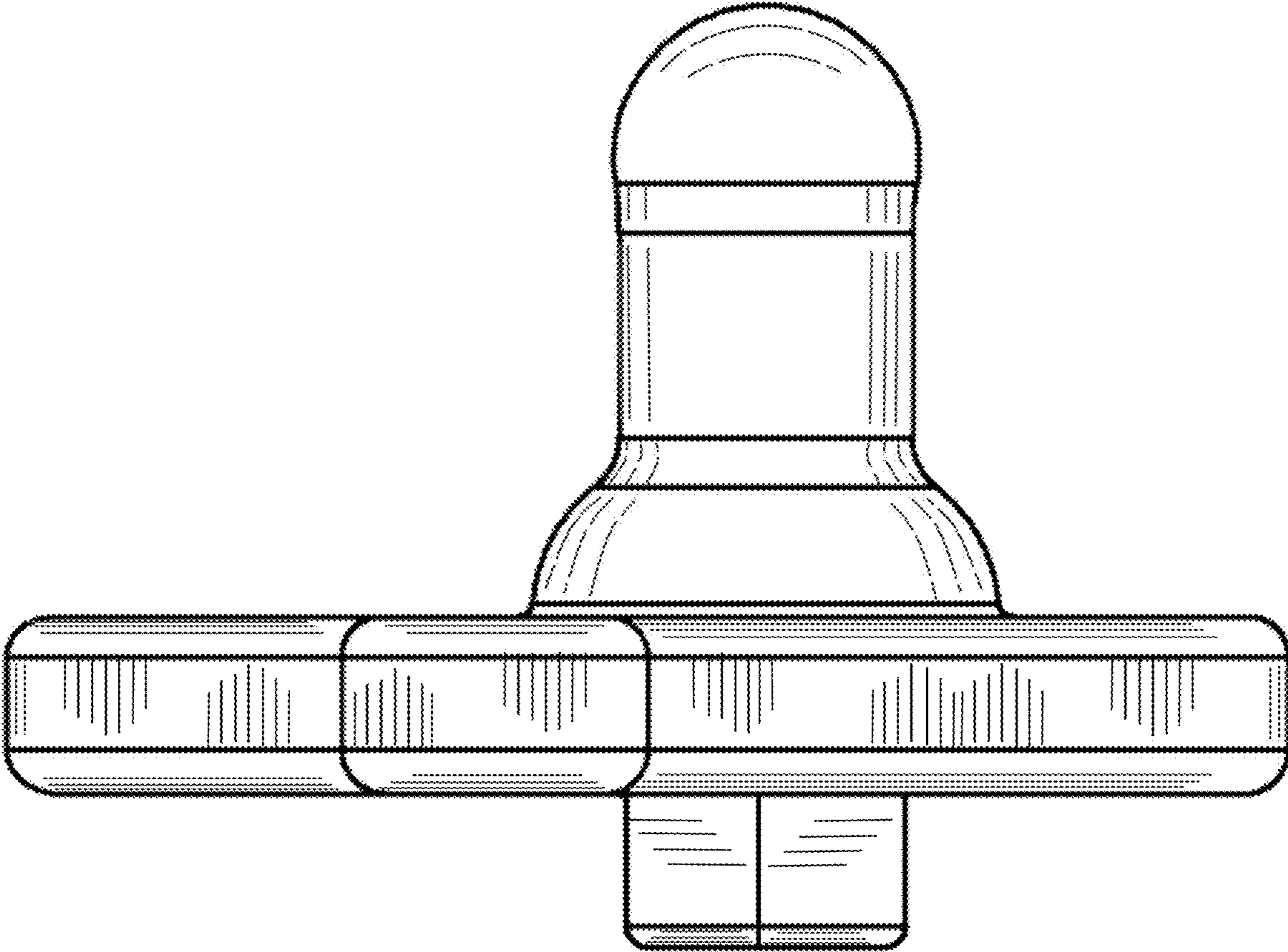


FIG. 4

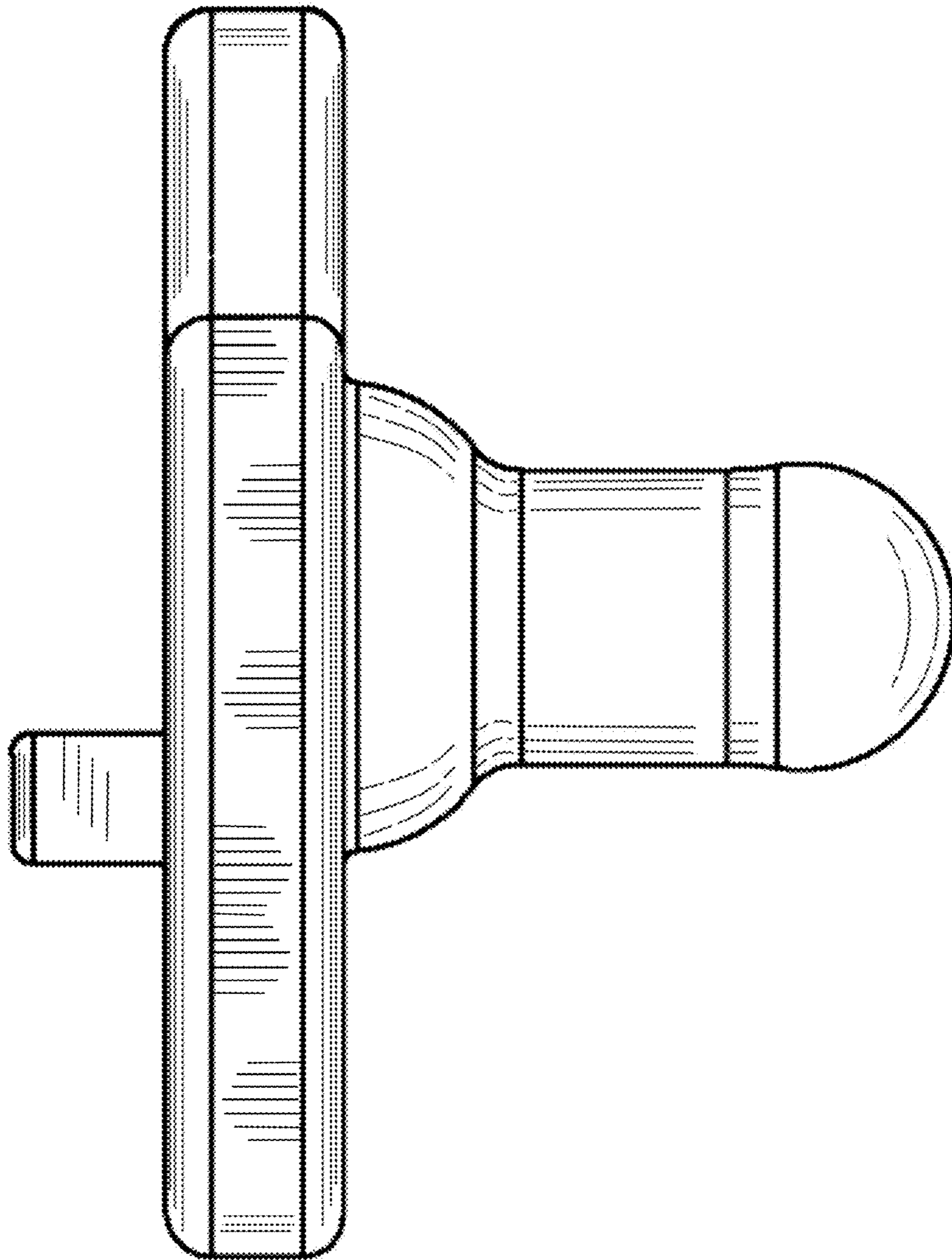


FIG. 5

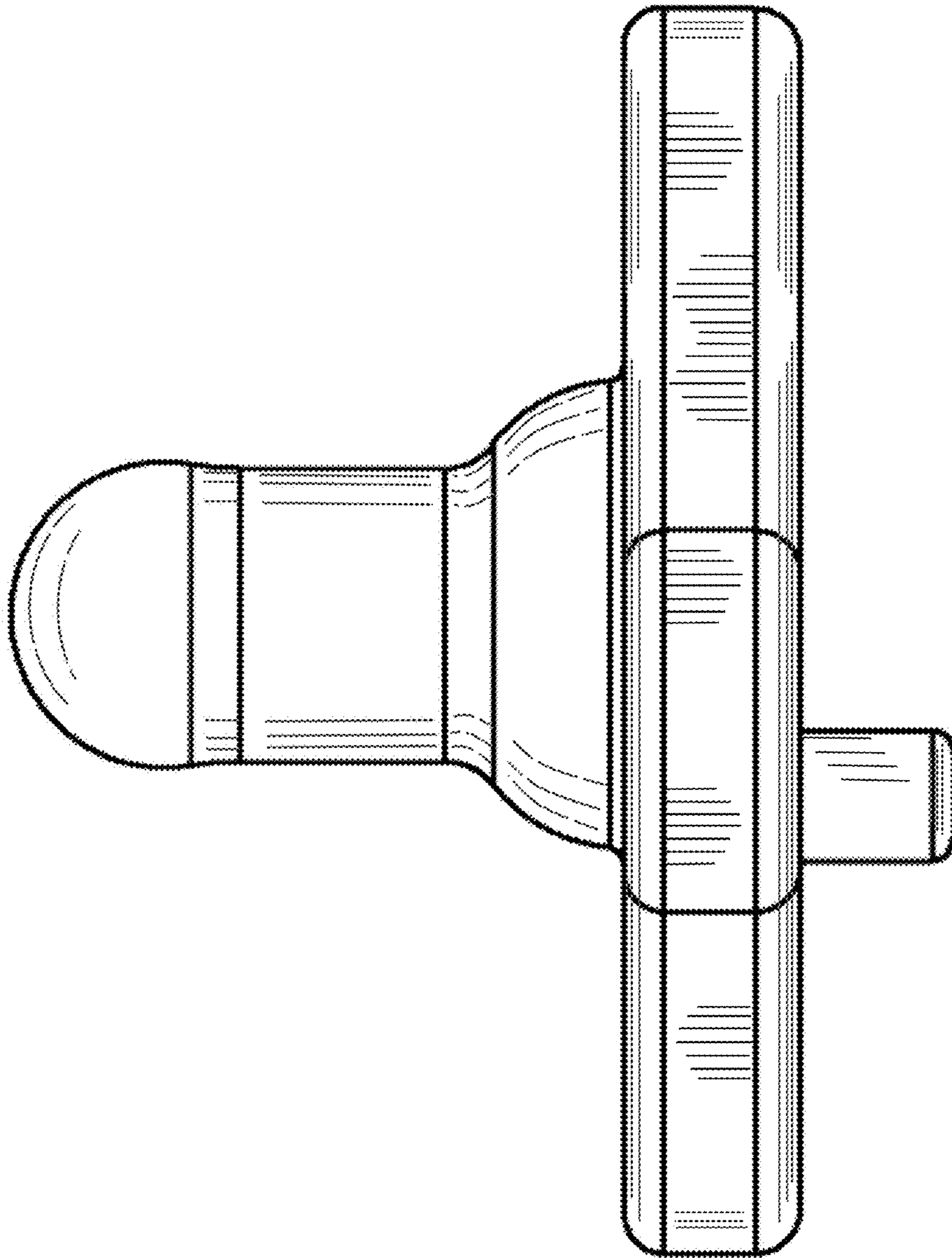


FIG. 6

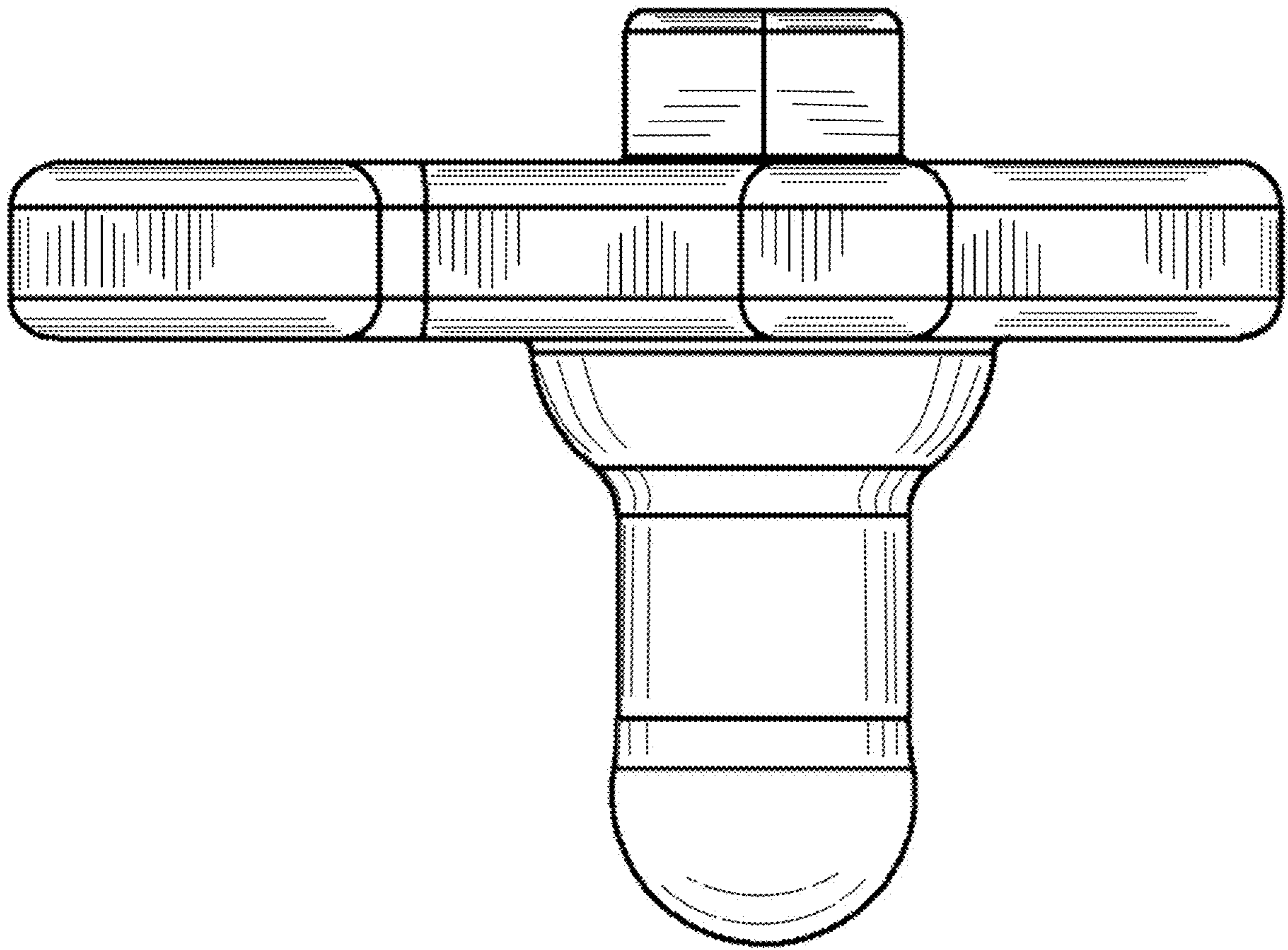


FIG. 7

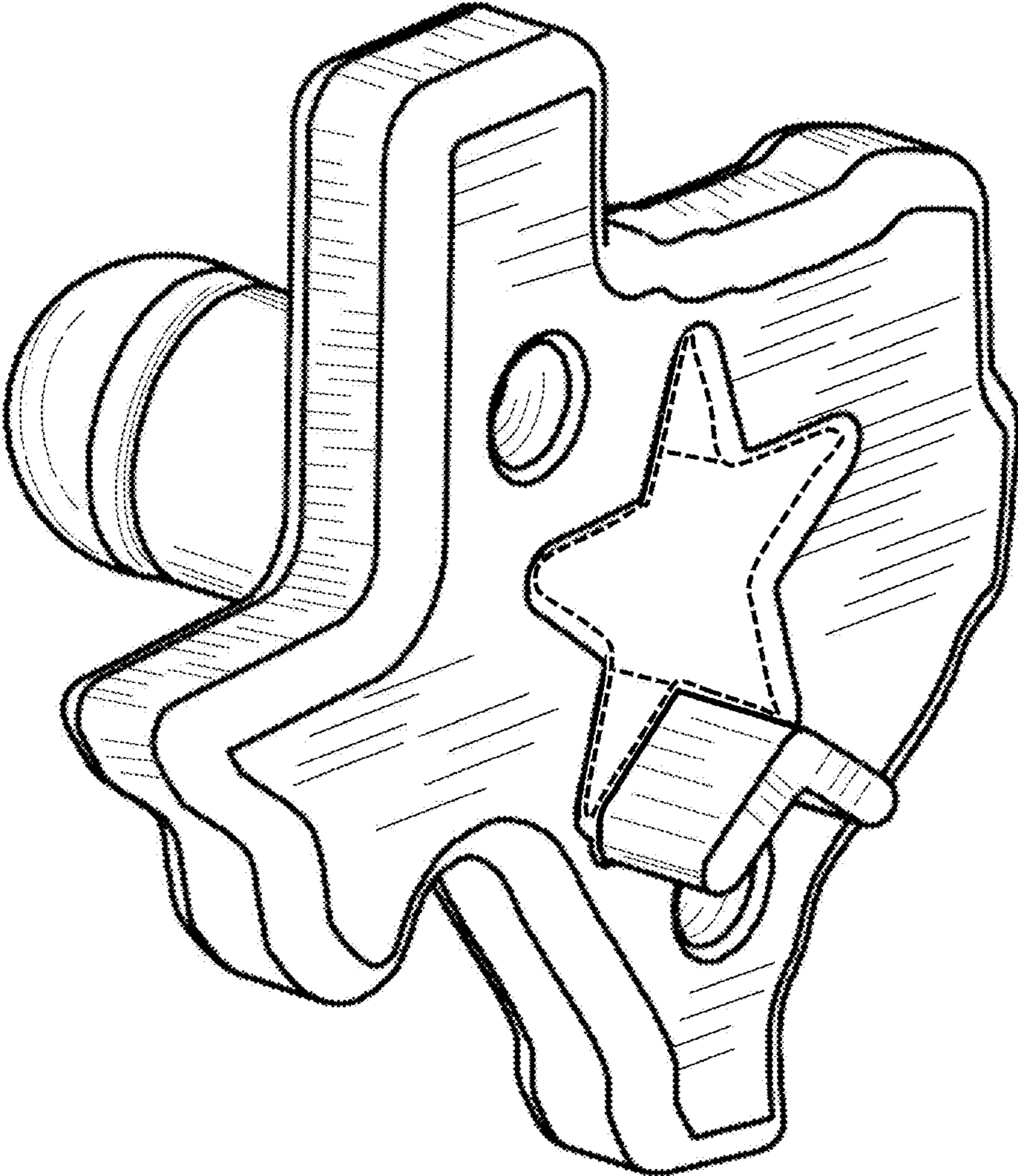


FIG. 8

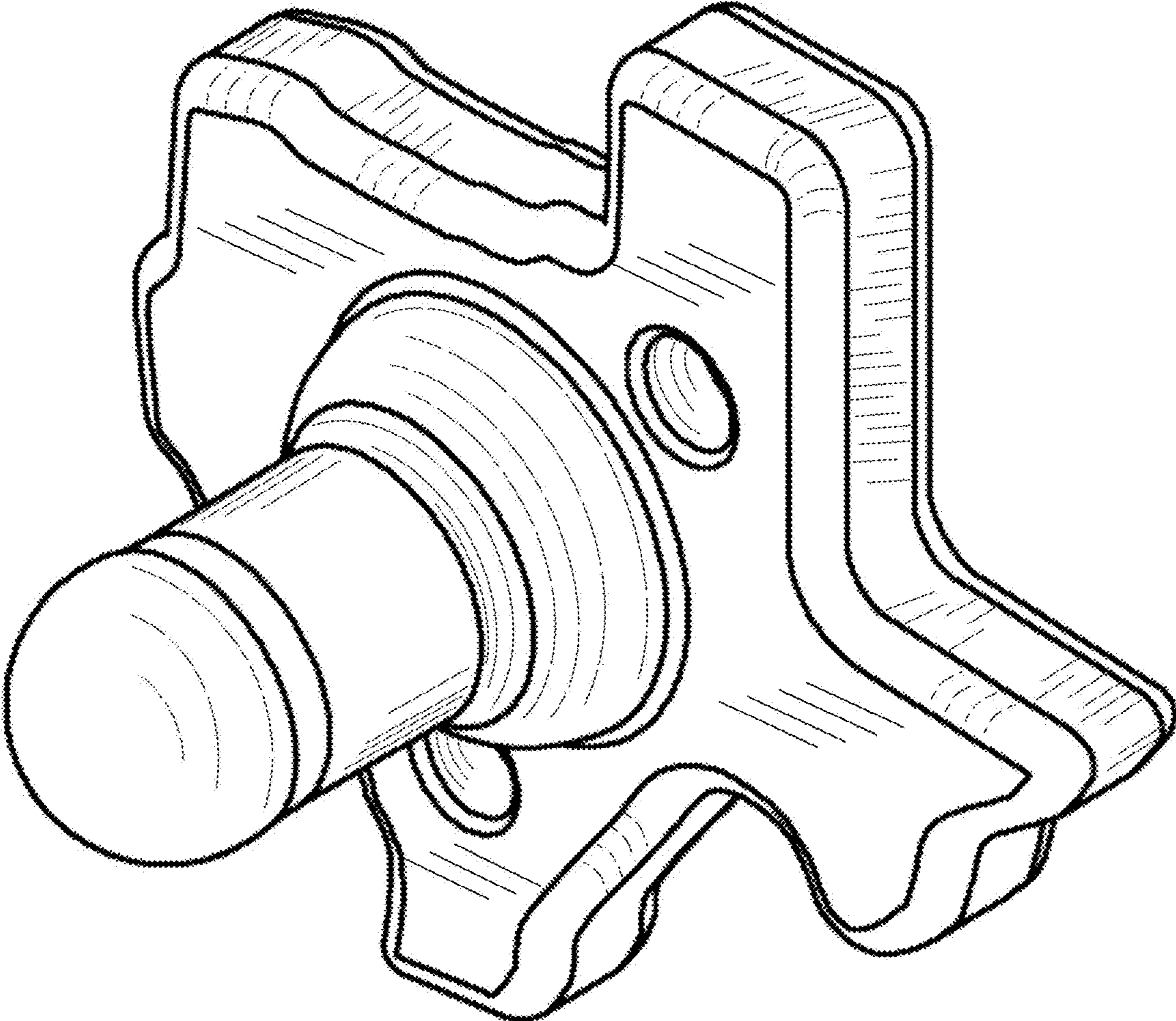


FIG. 9