



US00D923800S

(12) **United States Design Patent** (10) **Patent No.:** **US D923,800 S**
Martin et al. (45) **Date of Patent:** **** Jun. 29, 2021**

(54) **COVER FOR A PROBE OR THE LIKE**

FOREIGN PATENT DOCUMENTS

(71) Applicants: **WELCH ALLYN, INC.**, Skaneateles Falls, NY (US); **KAZ USA, INC.**, Southborough, MA (US)

CN 1263621 A 8/2000
DE 29901394 6/1999
(Continued)

(72) Inventors: **Scott A. Martin**, Warners, NY (US); **John A. Lane**, Weedsport, NY (US); **Matthew D. Mullin**, Memphis, NY (US); **David E. Quinn**, Auburn, NY (US); **John R. Strom**, Moravia, NY (US); **Dio Climaco Caverio**, North Merrick, NY (US); **Jeffrey M. Cross**, Westborough, MA (US)

OTHER PUBLICATIONS

Anonymous, "FirstTemp Genius Infrared Thermometer," Feb. 2004, Tyco Healthcare, pp. 1-4.
(Continued)

(73) Assignee: **WELCH ALLYN, INC.**, Skaneateles Falls, NY (US)

Primary Examiner — Janice Hallmark
Assistant Examiner — Omeed Agilee
(74) *Attorney, Agent, or Firm* — Alston & Bird LLP

(**) Term: **15 Years**

(57) **CLAIM**

(21) Appl. No.: **29/686,300**

We claim the ornamental design for a cover for a probe or the like, as shown and described.

(22) Filed: **Apr. 3, 2019**

DESCRIPTION

Related U.S. Application Data

(60) Continuation of application No. 29/597,457, filed on Mar. 17, 2017, now Pat. No. Des. 852,964, which is (Continued)

(51) **LOC (13) Cl.** **24-02**

(52) **U.S. Cl.**
USPC **D24/187**

(58) **Field of Classification Search**
USPC D24/130, 135, 137, 151, 173-174, 186, D24/187, 231; D10/57, 60, 103;
(Continued)

FIG. 1 is a top perspective view of a cover for a probe or the like according to our new design;
FIG. 2 is a bottom perspective view thereof;
FIG. 3 is a cross-section view thereof taken from line 3-3 shown in FIG. 7;
FIG. 4 is an enlarged view of area 4 circumscribed in FIG. 3;
FIG. 5 is a bottom plan view thereof;
FIG. 6 is a side elevation view thereof; and,
FIG. 7 is a top plan view thereof.
The dash lines immediately adjacent to the shaded areas depict portions of the cover for a probe or the like that form no part of the claimed design as well as boundaries of the claim. The dash dot dash lines shown in FIGS. 3 and 4 depict boundaries of the claim and form no part of the claimed design. All other dash lines in the drawings depict portions of the cover for a probe or the like that form no part of the claimed design.

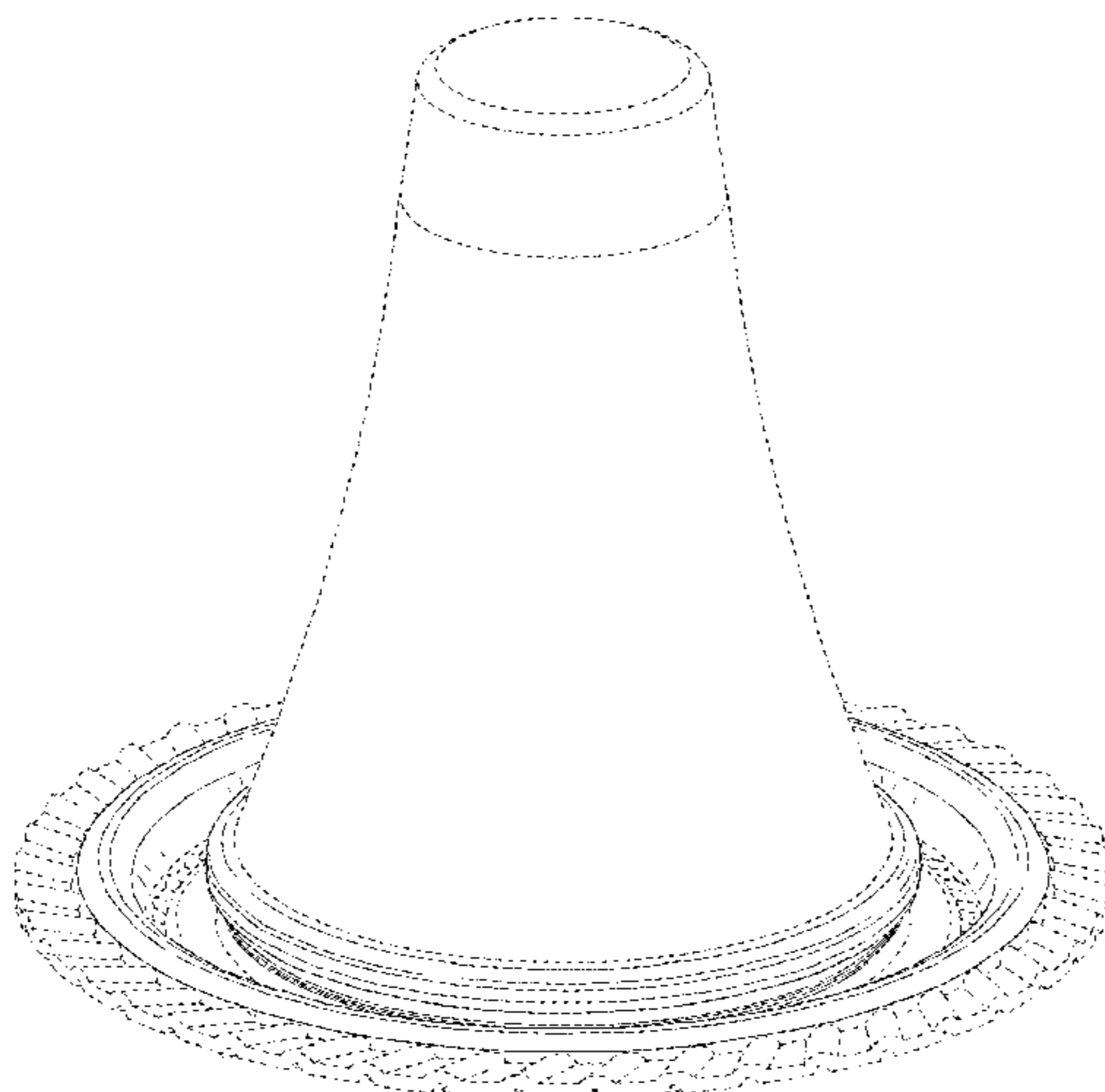
(56) **References Cited**

U.S. PATENT DOCUMENTS

1,544,972 A * 7/1925 Gebelein A47G 19/06
220/23.6
2,032,835 A * 3/1936 Collins A47G 19/02
220/574.3

(Continued)

1 Claim, 6 Drawing Sheets



Related U.S. Application Data

a continuation of application No. 29/477,379, filed on Dec. 20, 2013, now Pat. No. Des. 787,683, which is a continuation-in-part of application No. 29/455,442, filed on May 21, 2013, now Pat. No. Des. 716,953, which is a division of application No. 29/429,431, filed on Aug. 20, 2012, now Pat. No. Des. 685,482, which is a continuation-in-part of application No. 13/196,700, filed on Aug. 2, 2011, now Pat. No. 8,876,373, which is a continuation-in-part of application No. 12/420,926, filed on Apr. 9, 2009, now Pat. No. 8,231,271.

- (58) **Field of Classification Search**
 USPC D7/562, 565, 566, 570, 582, 584, 585, D7/587, 588
 CPC A61B 5/00; A61B 5/01; A61B 5/0086
 See application file for complete search history.

(56) **References Cited**

U.S. PATENT DOCUMENTS

D187,157 S * 2/1960 Anderson D7/570
 3,110,304 A 11/1963 Hartman
 3,840,004 A 10/1974 Heine
 3,878,836 A 4/1975 Twentier
 3,889,661 A 6/1975 Fiore
 3,929,018 A 12/1975 Turner
 D239,686 S * 4/1976 Anderson D7/562
 3,987,899 A 10/1976 Vyprachticky
 D246,352 S 11/1977 Dykstra
 D748,839 S 8/1978 Turner
 D267,154 S 12/1982 Bilgutay
 4,380,998 A 4/1983 Kieffer, III et al.
 D286,026 S 10/1986 Rayner
 4,662,360 A 5/1987 O'Hara et al.
 4,784,149 A 11/1988 Berman et al.
 D303,008 S 8/1989 O'Hara et al.
 4,863,281 A 9/1989 Suszynski
 4,869,389 A 9/1989 Cerrone, Jr.
 4,880,136 A 11/1989 Englert
 4,981,233 A 1/1991 Scheiner
 D317,411 S 6/1991 Holmes
 D318,812 S 8/1991 Matsuura et al.
 5,066,142 A 11/1991 DeFrank et al.
 5,088,834 A 2/1992 Howe et al.
 D330,073 S * 10/1992 Valls D23/269
 5,163,418 A 11/1992 Fraden et al.
 5,176,630 A 1/1993 Shilling et al.
 D333,702 S 3/1993 Huffman
 D337,521 S 7/1993 McNulty
 D344,679 S * 3/1994 Odom D10/60
 5,293,862 A 3/1994 O'Hara et al.
 5,390,663 A 2/1995 Schaefer
 5,403,286 A 4/1995 Lockwood, Jr.
 5,411,032 A 5/1995 Esseff et al.
 D360,133 S 7/1995 Boller
 5,507,406 A 4/1996 Urciuoli et al.
 5,516,010 A 5/1996 O'Hara et al.
 D374,153 S * 10/1996 Moreno-Montemayor ... D7/566
 5,588,748 A 12/1996 Nomura et al.
 D380,039 S * 6/1997 Sutherland D23/269
 5,646,350 A 7/1997 Robinson et al.
 D382,801 S 8/1997 Samson
 D388,172 S 12/1997 Cipes
 5,707,143 A 1/1998 O'Hara et al.
 5,795,067 A 8/1998 Fraden et al.
 D406,339 S 3/1999 Stacks
 5,893,833 A 4/1999 Pompei et al.
 5,906,437 A 5/1999 Lin
 5,968,458 A 10/1999 Shaikho
 5,980,451 A 11/1999 O'Hara et al.
 D421,123 S 2/2000 Kugler et al.
 6,022,140 A 2/2000 Fraden et al.

6,042,266 A 3/2000 Cheslock et al.
 6,053,875 A 4/2000 Rosenbaum et al.
 6,123,454 A 9/2000 Canfield et al.
 6,129,673 A 10/2000 Fraden
 6,139,182 A 10/2000 Levatter et al.
 6,142,934 A 11/2000 Lagerway et al.
 6,152,596 A 11/2000 Fraden
 D435,090 S * 12/2000 Stout, Jr. D23/269
 6,155,987 A 12/2000 Scherl
 D437,034 S * 1/2001 Stout, Jr. D23/269
 6,224,256 B1 5/2001 Bala
 6,238,088 B1 5/2001 Wu
 6,254,271 B1 7/2001 Lin
 6,332,090 B1 12/2001 DeFrank et al.
 6,347,243 B1 2/2002 Fraden
 6,367,973 B2 4/2002 Yamaka
 D457,777 S * 5/2002 Bradley D7/354
 6,383,133 B1 5/2002 Jones
 6,390,671 B1 5/2002 Tseng
 6,461,037 B1 10/2002 O'Leary
 6,513,970 B1 2/2003 Tabata et al.
 6,612,735 B2 9/2003 Tomioka et al.
 D481,312 S * 10/2003 Martin D9/435
 6,695,474 B2 2/2004 Beerworth et al.
 6,751,497 B2 6/2004 Fraden
 D495,600 S 9/2004 Kouri
 6,786,616 B1 9/2004 Huang et al.
 6,789,936 B1 9/2004 Kraus et al.
 D497,977 S * 11/2004 Engelbrektsson D23/269
 6,850,789 B2 2/2005 Schweitzer, Jr. et al.
 D514,445 S 2/2006 Smith et al.
 D516,910 S 3/2006 Bresler
 7,037,083 B2 5/2006 O'Neil et al.
 D523,746 S 6/2006 Snedden et al.
 D523,747 S 6/2006 Snedden et al.
 7,083,330 B1 8/2006 Yao
 7,237,949 B2 7/2007 Lantz et al.
 D562,134 S 2/2008 Studee
 D562,135 S 2/2008 Studee
 D566,270 S 4/2008 Strom et al.
 D566,847 S * 4/2008 Baumer D24/187
 7,354,194 B2 4/2008 Walker et al.
 D572,587 S 7/2008 Rush et al.
 7,494,273 B2 2/2009 Huang et al.
 D588,413 S * 3/2009 Frank D7/500
 7,520,671 B2 4/2009 Lantz et al.
 D591,595 S 5/2009 Tedford, Jr.
 7,540,392 B2 6/2009 Cipra et al.
 D595,542 S * 7/2009 Dewey D7/566
 7,556,424 B2 7/2009 Walker et al.
 7,572,056 B2 8/2009 Lane et al.
 7,585,108 B2 9/2009 Chuang et al.
 D612,236 S 3/2010 Sturk
 7,686,506 B2 3/2010 Babkes et al.
 D623,941 S 9/2010 Bendix
 7,841,767 B2 11/2010 Harr
 7,874,447 B2 1/2011 Schmidtner et al.
 D632,174 S 2/2011 Charbonnet et al.
 7,959,029 B2 6/2011 Whitaker et al.
 D641,239 S 7/2011 Ramsey et al.
 D641,622 S 7/2011 Fields
 D647,400 S 10/2011 Fields
 8,074,831 B2 12/2011 Walker et al.
 D652,298 S 1/2012 Caldwell et al.
 D652,719 S 1/2012 Caldwell et al.
 8,092,082 B2 1/2012 Hsieh
 D655,415 S 3/2012 Chaffringeon
 D660,696 S 5/2012 Weiss
 D675,922 S 2/2013 MacNeill et al.
 D676,745 S 2/2013 MacNeill et al.
 D685,482 S * 7/2013 Martin D24/186
 8,517,603 B2 8/2013 Fraden
 8,561,834 B2 10/2013 Ziegler
 D702,504 S * 4/2014 Tibbets D7/566
 D704,053 S * 5/2014 Kim A47G 19/2272
 D9/447
 D705,058 S 5/2014 Kim
 8,727,169 B2 5/2014 Nguyen
 8,794,479 B2 8/2014 Lin

(56)

References Cited

U.S. PATENT DOCUMENTS

D715,145	S *	10/2014	Yamagishi	D9/447
D716,953	S *	11/2014	Martin	D24/186
8,949,065	B2	2/2015	Holderle et al.	
9,285,276	B2	3/2016	Fraden	
9,357,930	B2	6/2016	Quinn et al.	
D787,683	S *	5/2017	Martin	D24/186
D852,964	S *	7/2019	Martin	D24/186
D877,865	S *	3/2020	Nakagawa	D23/269
D887,871	S *	6/2020	Wang	D10/60
2001/0014112	A1	8/2001	Yamaka	
2002/0085616	A1	7/2002	Yu	
2002/0163955	A1	11/2002	Yu	
2003/0043884	A1	3/2003	Ko et al.	
2003/0179809	A1	9/2003	Nakagawa	
2004/0256187	A1	12/2004	Smith	
2005/0027168	A1	2/2005	Strom et al.	
2005/0027169	A1	2/2005	Goldfain et al.	
2005/0043588	A1	2/2005	Tsai	
2005/0085733	A1	4/2005	Wong	
2005/0127075	A1	6/2005	Smith et al.	
2006/0020176	A1	1/2006	Berall	
2006/0120432	A1	6/2006	Lantz et al.	
2006/0165152	A1	7/2006	Walker et al.	
2007/0058692	A1	3/2007	Huang et al.	
2007/0189358	A1	8/2007	Lane et al.	
2008/0123717	A1	5/2008	Lane et al.	
2008/0203078	A1	8/2008	Huerter	
2009/0116540	A1	5/2009	Weng et al.	
2009/0129437	A1	5/2009	Chuang et al.	
2010/0260230	A1	10/2010	Lane et al.	
2011/0134962	A1	6/2011	Fraden	
2011/0257521	A1	10/2011	Fraden	
2012/0027047	A1	2/2012	Lane et al.	
2012/0152968	A1	6/2012	Bailey	
2013/0128926	A1	5/2013	Fraden	
2013/0202011	A1	8/2013	Mullin et al.	
2014/0119406	A1	5/2014	Chen	
2015/0014322	A1	1/2015	Kim	

FOREIGN PATENT DOCUMENTS

EP	0 180 368	5/1986
EP	0 472 490	2/1992
EP	1 262 753 A1	12/2002
EP	1 790 962 A1	5/2007
EP	1 857 037 A1	11/2007
WO	WO-1995/000067	1/1995
WO	WO-1997/019332	5/1997
WO	WO-1999/042760	8/1999
WO	WO-2002/056756	7/2002
WO	WO 2004/063686	7/2004
WO	WO-2010/078219	7/2010

OTHER PUBLICATIONS

International Search Report, dated Mar. 10, 2009, PCT/US2008/073956, 4 pages.
 International Search Report/Written Opinion for PCT Application No. PCT/US2010/03023; dated Jun. 17 2010; 9 pages.

Supplemental European Search Report dated Oct. 27, 2010, EP 08798437.3, 7 pages.
 International Search Report and Written Opinion for International Patent Application No. PCT/US2012/049112, dated Jan. 10, 2013, 9 pages.
 Office Action for Australian patent application No. 2010234503, dated Jun. 18, 2013, a counterpart foreign application of U.S. Pat. No. 8,231,271, 3 pages.
 International Preliminary Report on Patentability dated Feb. 13, 2014 for PCT application No. PCT/US2012/049112, 10 pages.
 Office Action for Australian patent application No. 2012290134, dated Jan. 27, 2015, a counterpart foreign application of U.S. Pat. No. 8,876,373, 5 pages.
 Extended European Search Report dated Jan. 22, 2015 for European patent application No. 12820293.4, 8 pages.
 Office Action for Chinese patent application No. 201236048359.5; dated Jan. 4, 2016; a counterpart foreign application of U.S. Appl. No. 14/511,986 and corresponding English translation (17 pgs.).
 U.S. Appl. No. 11/678,357, filed Feb. 23, 2007; first named inventor: Huerter.
 Office Action for U.S. Appl. No. 12/420,926 dated May 26, 2011, 14 pages.
 Notice of Allowance for U.S. Appl. No. 12/420,926, dated Mar. 29, 2012, 13 pages.
 Office Action for U.S. Appl. No. 13/196,700, dated Nov. 29, 2013, 23 pages.
 Final Office Action for U.S. Appl. No. 13/196,700 dated Apr. 17, 2014, 12 pages.
 Supplemental Notice of Allowability for U.S. Appl. No. 13/196,700 dated Aug. 29, 2014, 7 pages.
 Office Action for U.S. Appl. No. 14/511,986, dated Sep. 15, 2016, 24 pages.
 Notice of Allowance for U.S. Appl. No. 14/511,986, dated Jan. 31, 2017, 7 pages.
 Notice of Allowance for U.S. Appl. No. 29/429,431 dated Apr. 12, 2013, 17 pages.
 Corrected Notice of Allowance for U.S. Appl. No. 29/455,442, dated Jul. 18, 2014, 5 pages.
 Office Action for U.S. Appl. No. 29/477,379, dated May 5, 2013, 23 pages.
 Final Office Acton for U.S. Appl. No. 29/477,379 dated Dec. 3, 2015, 10 pages.
 Final Office Action for U.S. Appl. No. 29/477,379 dated Mar. 24, 2016, 19 pages.
 Notice of Allowance for U.S. Appl. No. 29/477,379, dated Jan. 19, 2017, 10 pages.
 U.S. Appl. No. 12/420,926, with first inventor Lane et al. entitled, "IR Thermometry Probe Cover," filed Apr. 9, 2009.
 U.S. Appl. No. 13/196,700, with first inventor Lane et al. entitled, "IR Thermometry Probe Cover," filed Aug. 2, 2011.
 U.S. Appl. No. 14/511,986, with first inventor Lane et al. entitled, "IR Thermometry Probe Cover," filed Oct. 10, 2014.
 U.S. Appl. No. 29/429,431, with first inventor Martin et al. entitled, "Cover for a Probe or the Like," filed Aug. 10, 2012.
 U.S. Appl. No. 29/455,442, wiht first inventor Martin et al. entitled, "Cover of a Probe of the Like," filed May 21, 2013.
 U.S. Appl. No. 29/477,379, with first inventor Martin et al. entitled, "Cover for a Probe," filed Dec. 20, 2013.

* cited by examiner

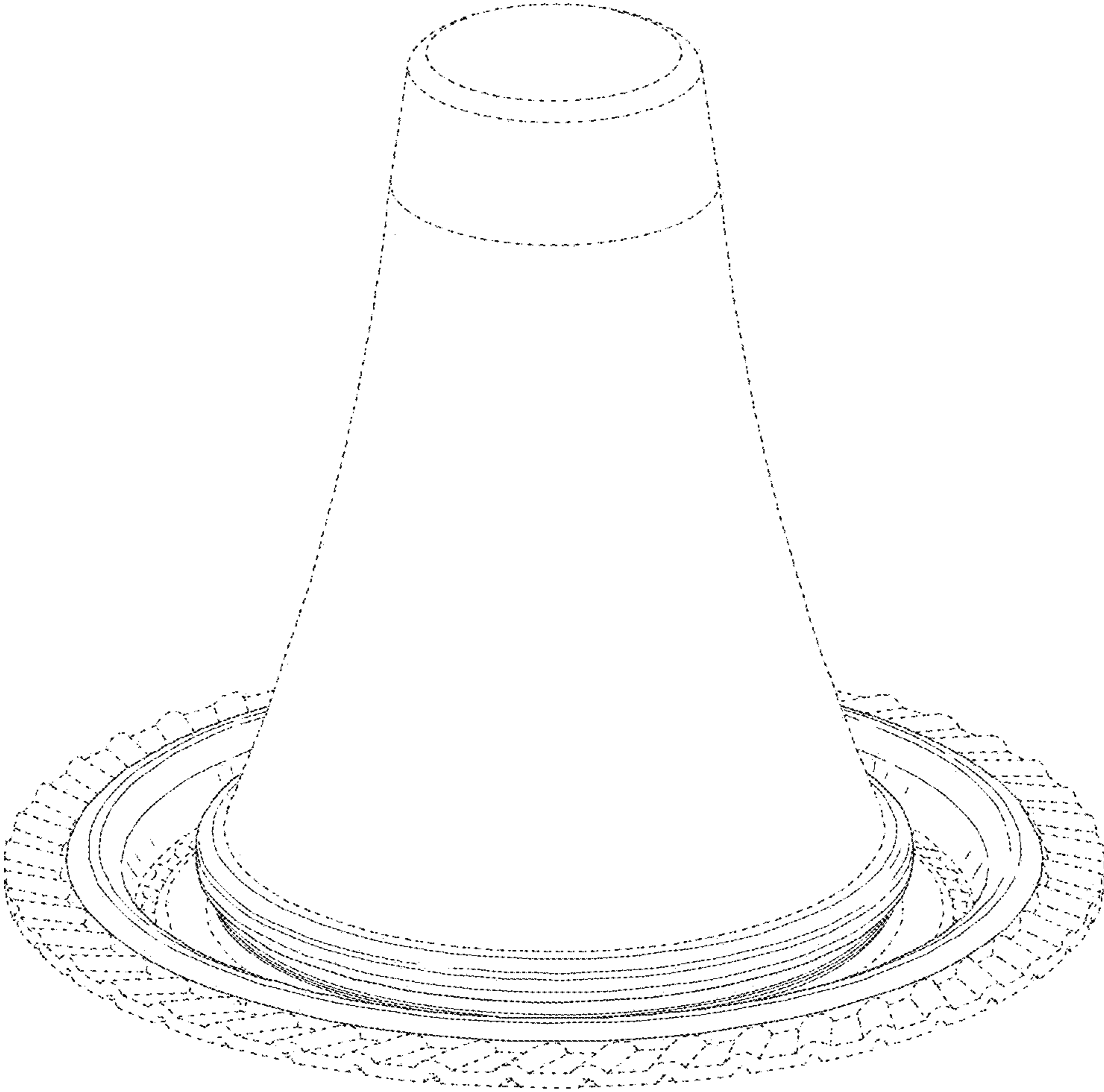


FIG. 1

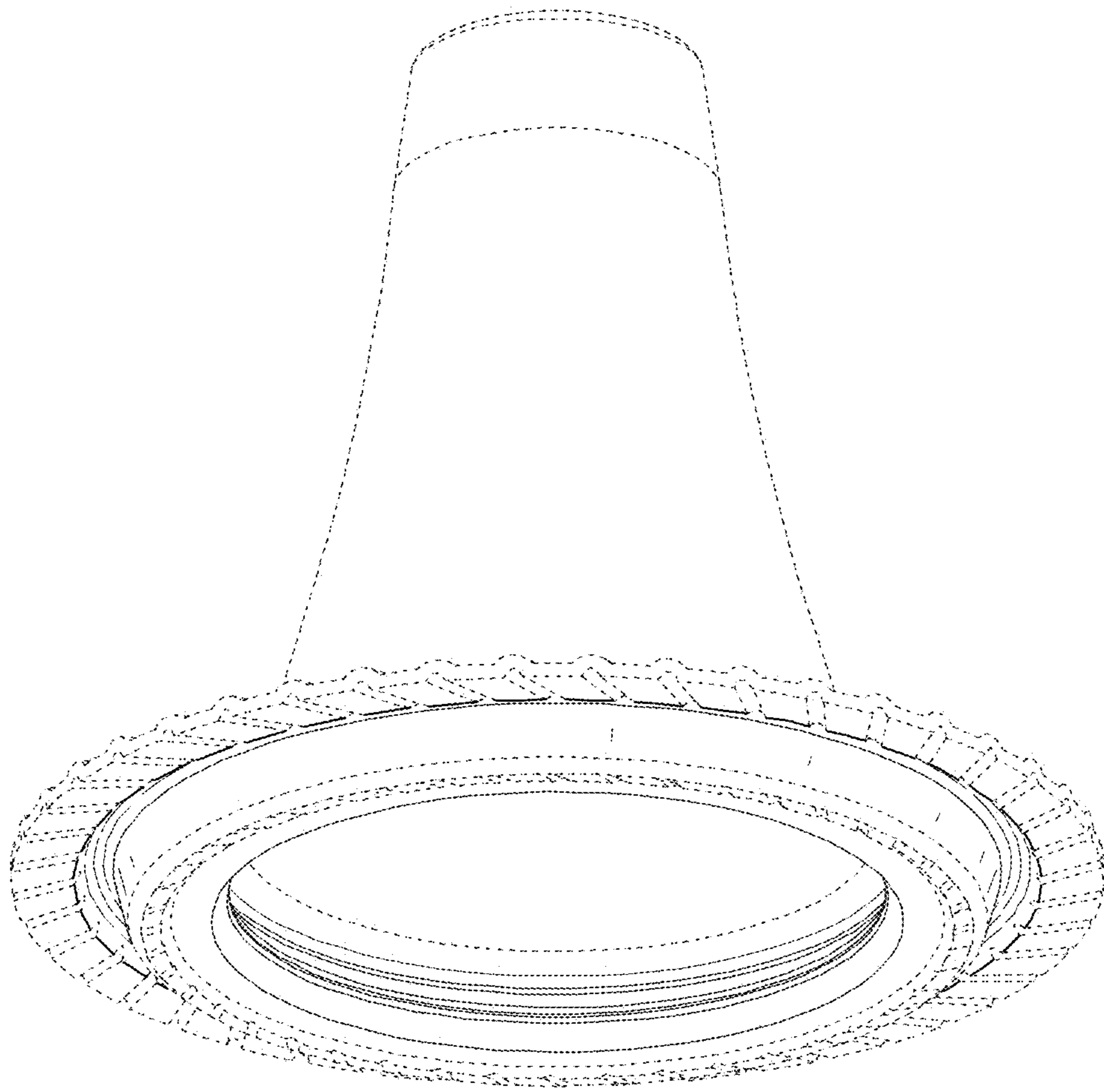
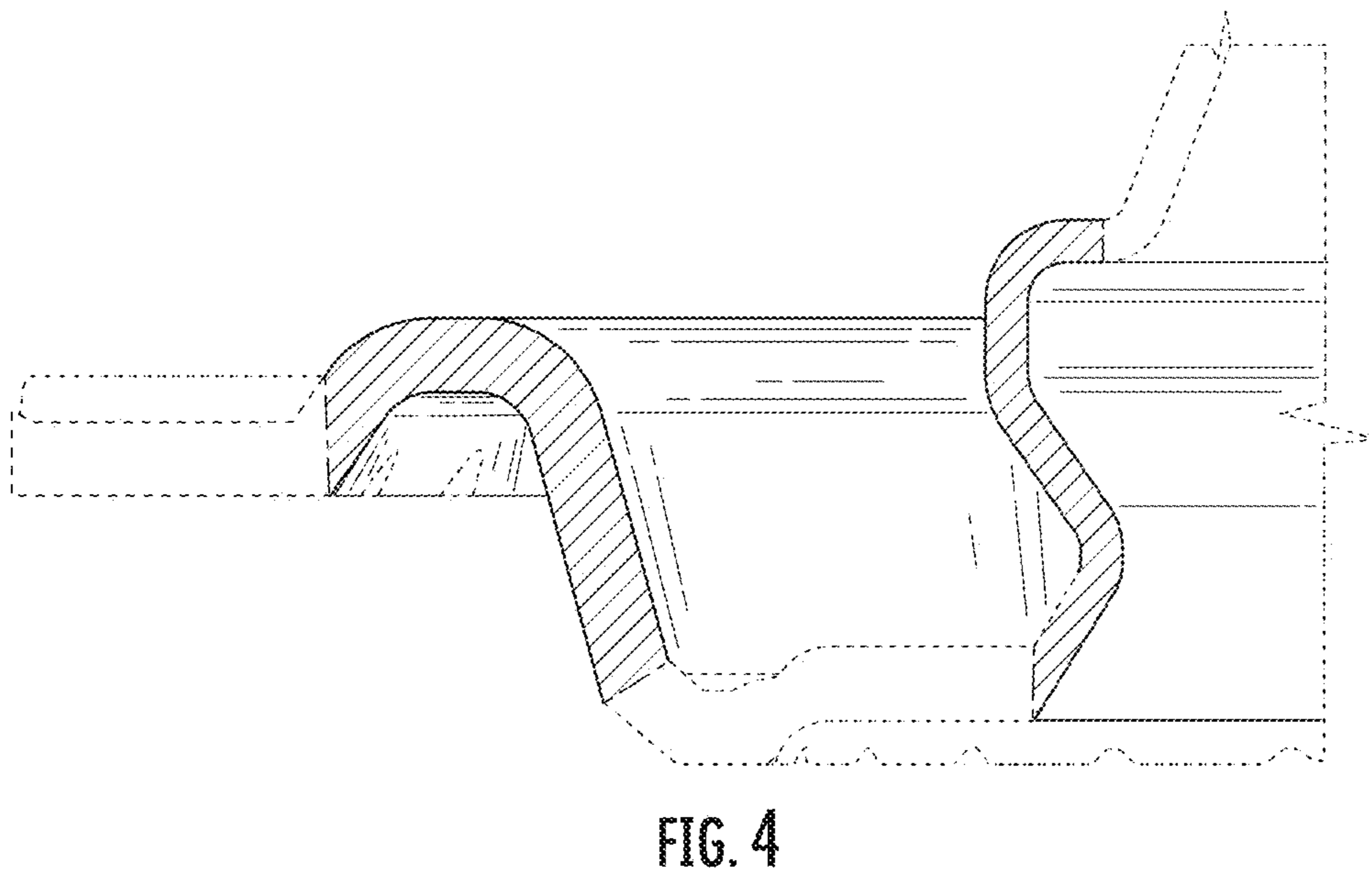
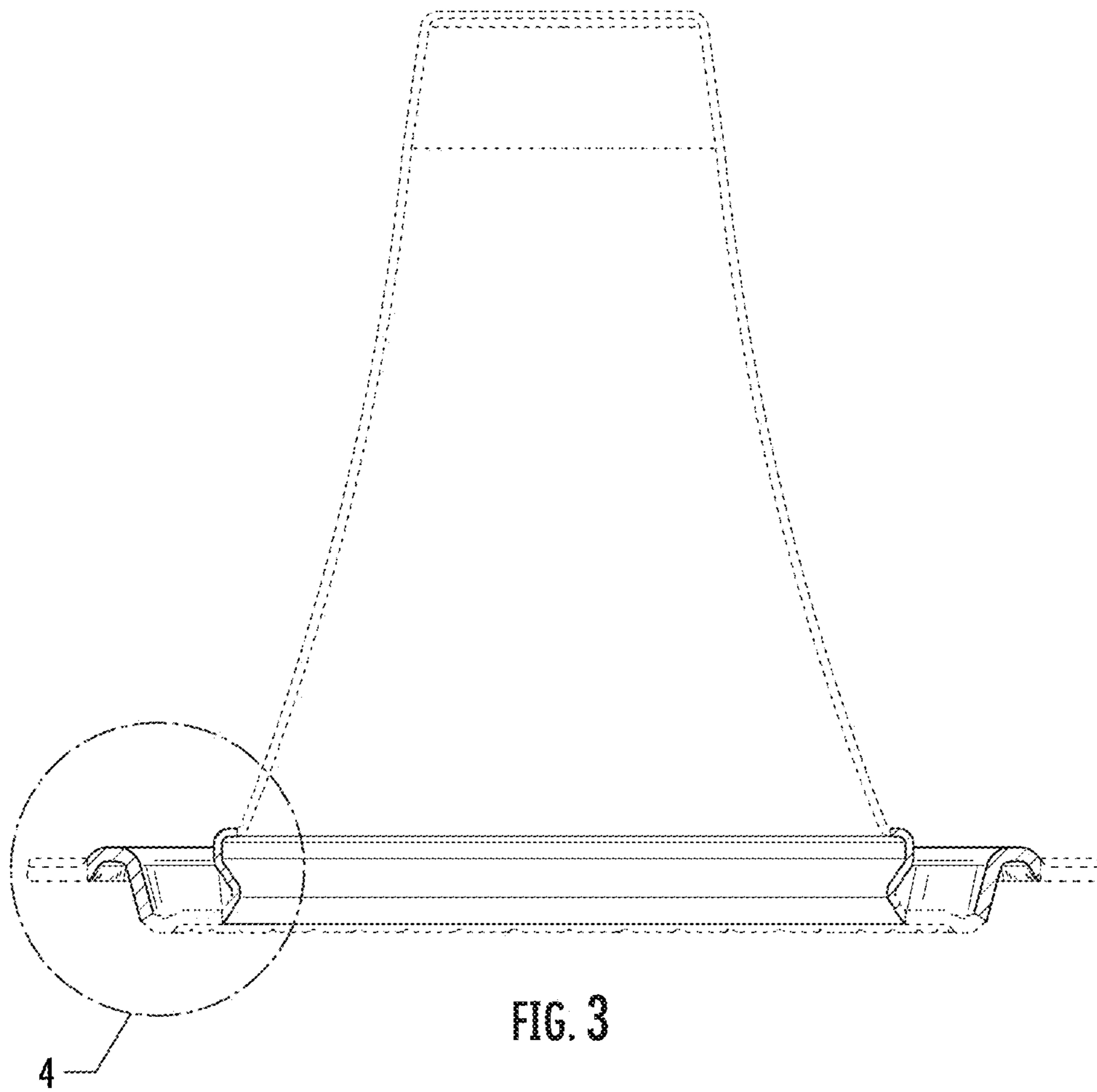


FIG. 2



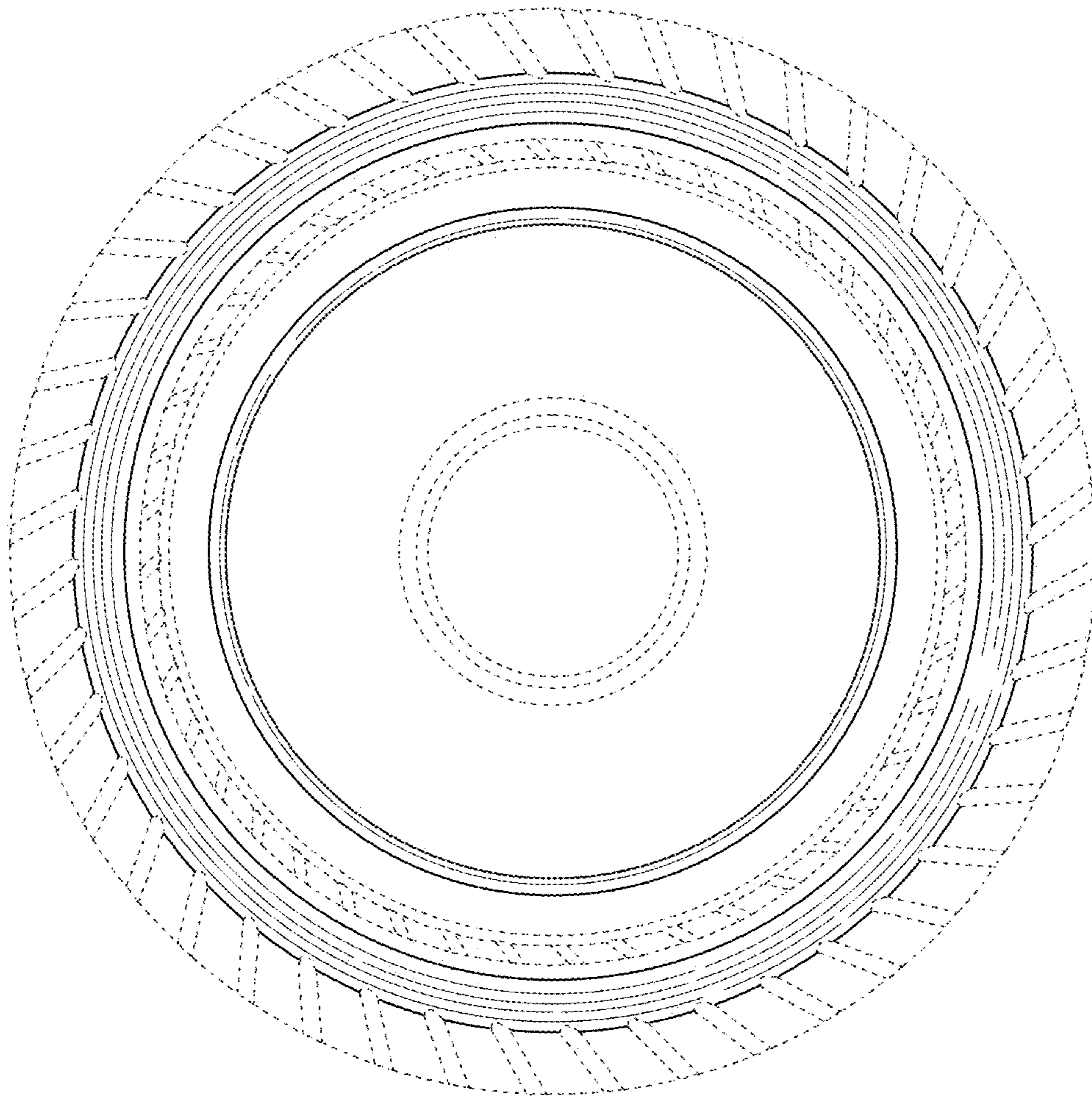


FIG. 5

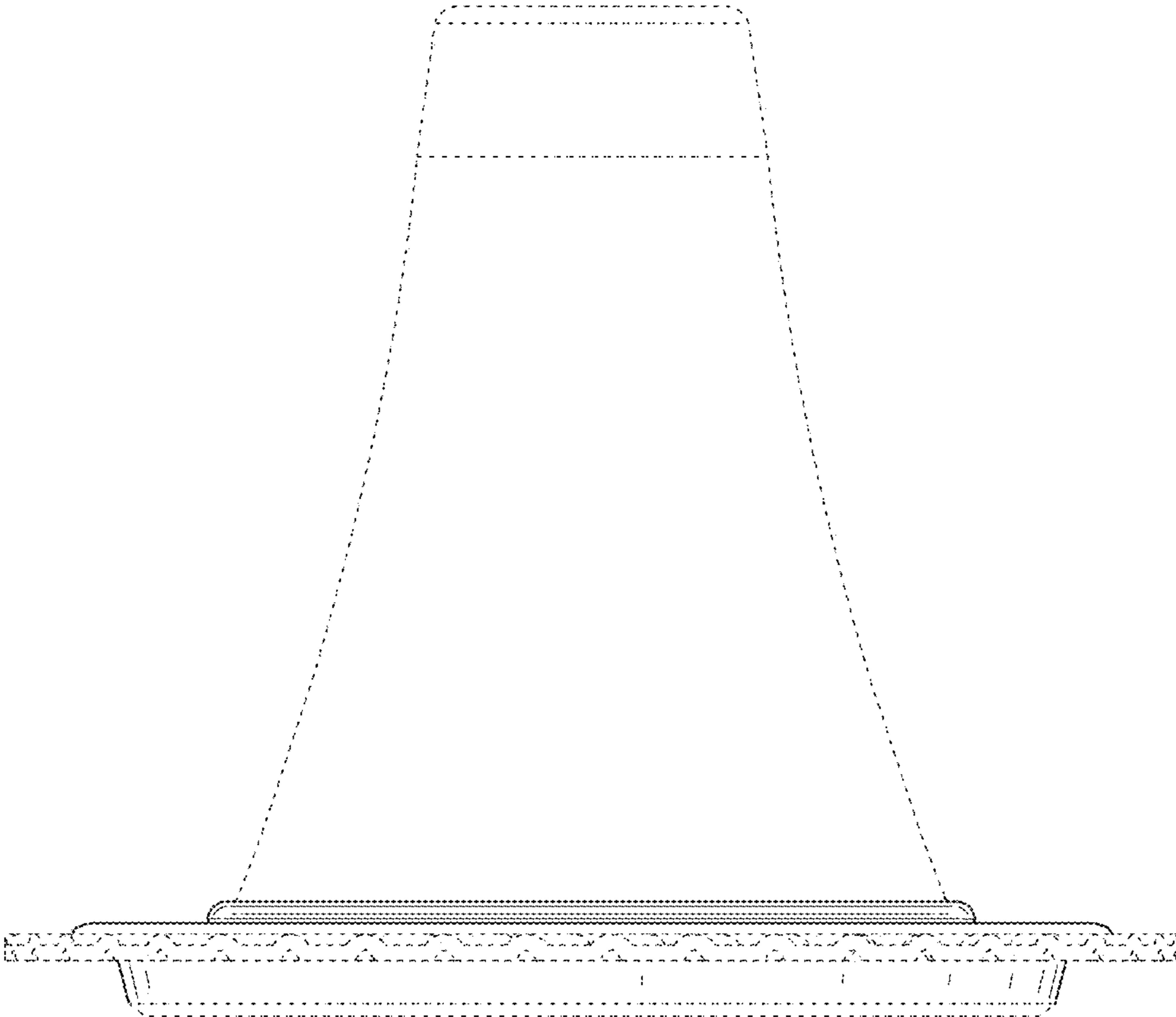


FIG. 6

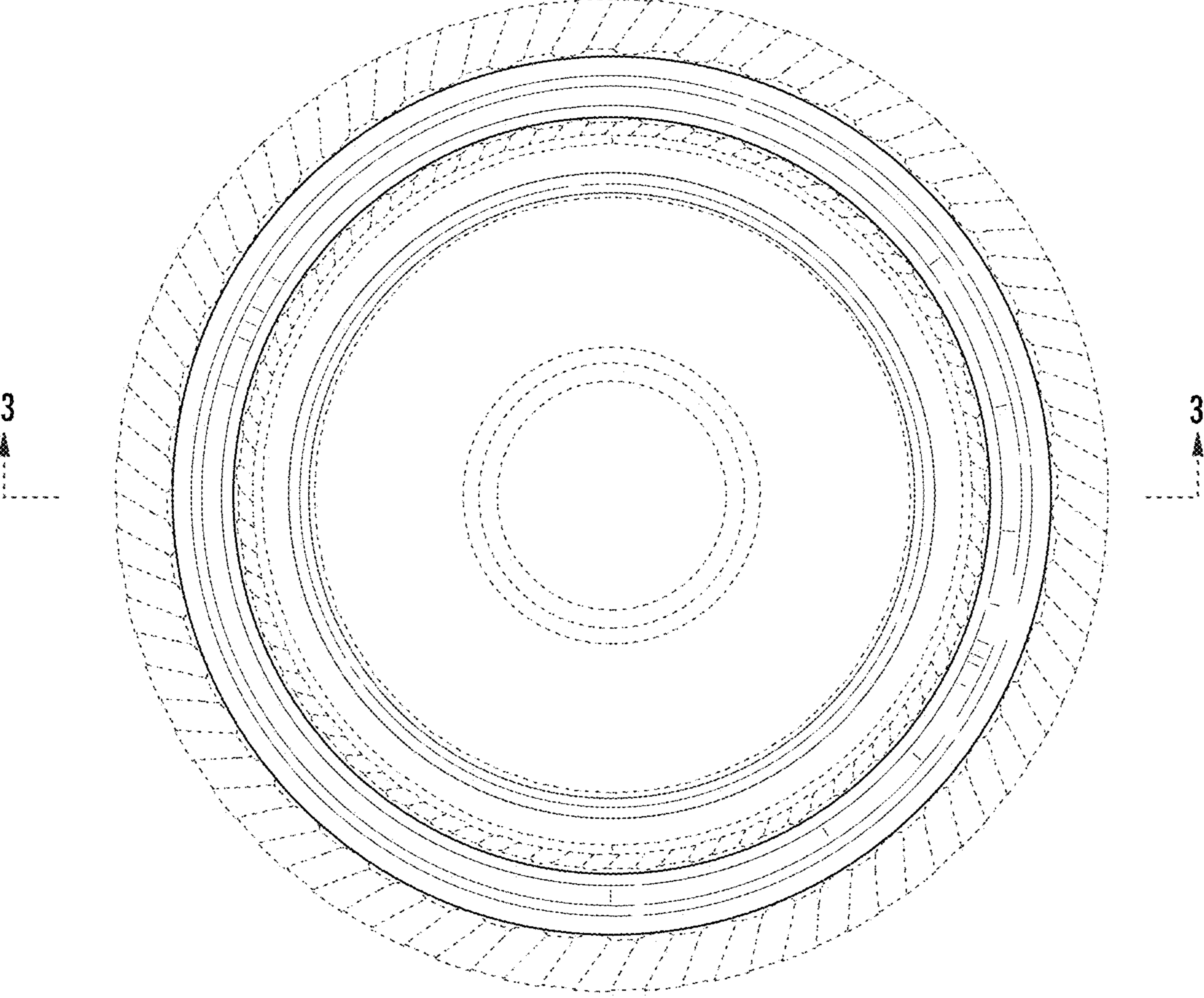


FIG. 7

UNITED STATES PATENT AND TRADEMARK OFFICE
CERTIFICATE OF CORRECTION

PATENT NO. : D923,800 S
APPLICATION NO. : 29/686300
DATED : June 29, 2021
INVENTOR(S) : Scott A. Martin et al.

Page 1 of 1

It is certified that error appears in the above-identified patent and that said Letters Patent is hereby corrected as shown below:

On the Title Page

Item (73) Assignee: “**WELCH ALLYN, INC.**, Skaneateles Falls, NY (US)” should read --**WELCH ALLYN, INC.**, Skaneateles Falls, NY (US); **KAZ USA, INC.**, Southborough, MA (US)--

On page 2:

Item (60) Related U.S. Application Data: “application No. 29/429,431, filed on Aug. 20, 2012” should read --application No. 29/429,431, filed on Aug. 10, 2012--

Signed and Sealed this
Twenty-eighth Day of June, 2022
Katherine Kelly Vidal

Katherine Kelly Vidal
Director of the United States Patent and Trademark Office