



US00D923799S

(12) **United States Design Patent** (10) **Patent No.:** **US D923,799 S**  
**St. Pierre et al.** (45) **Date of Patent:** **\*\* Jun. 29, 2021**

(54) **MEDICAL CART**

2034/305; A61B 2034/306; A61B 34/32;  
A61B 34/35; A61B 34/37; A61B 90/40;  
A61B 2090/401; A61B 50/00; A61B  
50/10;

(71) Applicant: **Capsa Solutions LLC**, Portland, OR  
(US)

(Continued)

(72) Inventors: **John David St. Pierre**, Worthington,  
OH (US); **Omolola E. Oyibo**, Portland,  
OR (US); **Justin Phillips**, Troutdale,  
OR (US); **Stephen Carl Torbett**, Lake  
Wylie, SC (US)

(56)

**References Cited**

U.S. PATENT DOCUMENTS

(73) Assignee: **Capsa Solutions LLC**, Portland, OR  
(US)

D612,561 S \* 3/2010 Hunter ..... D34/14  
D699,852 S \* 2/2014 Chung ..... D24/158  
(Continued)

(\*\*) Term: **15 Years**

OTHER PUBLICATIONS

(21) Appl. No.: **29/694,113**

Parity Medical, Econolite Laptop Cart, first available Dec. 19, 2017.  
(<https://web.archive.org/web/20171219085900/https://www.paritymedical.com/mobile-computer-carts/econolite-laptop-cart>) (Year: 2017).\*

(22) Filed: **Jun. 7, 2019**

(51) **LOC (13) Cl.** ..... **24-02**

(52) **U.S. Cl.**

(Continued)

USPC ..... **D24/185**

(58) **Field of Classification Search**

*Primary Examiner* — April Rivas

*Assistant Examiner* — Justin A Johnson

USPC ..... D3/203.1, 203.2, 203.3; D6/332, 641,  
D6/642, 643, 643.1, 644, 645, 646, 647,  
D6/649, 650, 650.1, 655, 655.1, 655.11,  
D6/655.12, 655.13, 655.14, 655.15,  
D6/655.16, 655.17, 655.18, 655.19, 655.2,  
D6/655.21, 655.22, 655.23, 698, 700,  
D6/701; D10/40; D13/101, 112, 114,  
D13/118, 120, 121, 122; D14/300, 301,  
D14/302, 307, 313, 314; D15/199;  
D23/200, 202, 207, 209, 210, 499;  
D24/100, 133, 144, 158, 159, 160, 162,  
D24/163, 164, 170, 177, 183, 184, 185,  
D24/186, 187, 216, 217, 227, 228, 229,  
D24/230, 231, 232, 233, 234; D25/15;  
D34/12, 14

(74) *Attorney, Agent, or Firm* — Standley Law Group  
LLP; Adam J. Smith; Jeffrey S. Standley

CPC ..... A61B 17/00; A61B 2017/00013; A61B  
2017/00199; A61B 2017/00212; A61B  
17/00234; A61B 2017/00349; A61B  
2017/00353; A61B 34/00; A61B 34/30;  
A61B 2034/301; A61B 2034/302; A61B  
2034/303; A61B 2034/304; A61B

(57) **CLAIM**

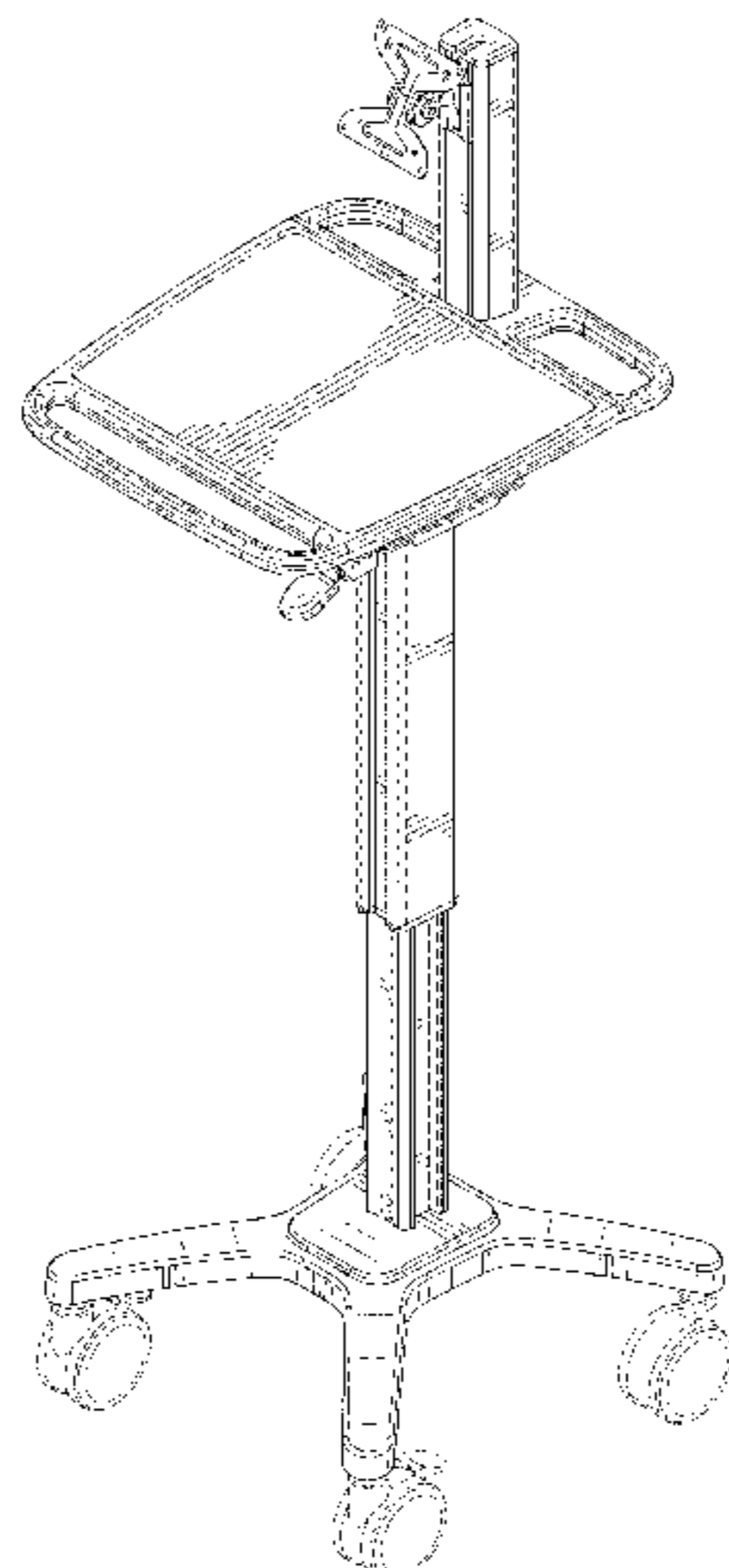
The ornamental design for a medical cart, as shown and  
described.

**DESCRIPTION**

FIG. 1 is a front perspective view of the medical cart;  
FIG. 2 is a front elevation view thereof;  
FIG. 3 is a rear elevation view thereof;  
FIG. 4 is a right side elevation view thereof;  
FIG. 5 is a left side elevation view thereof;  
FIG. 6 is a top view thereof; and,  
FIG. 7 is a bottom view thereof.

The broken lines are for illustrating unclaimed features and  
form no part of the claimed design.

**1 Claim, 6 Drawing Sheets**



(58) **Field of Classification Search**

CPC .. A61B 2050/105; A61B 50/13; A61B 50/15;  
 A61B 2050/185; A61B 50/20; A61B  
 2050/21; A61B 50/22; A61B 50/24; A61B  
 50/26; A61B 50/30; A61B 50/3001; A61B  
 2050/3004; A61B 2050/3005; A61B  
 2050/3006; A61B 2050/3007; A61B  
 2050/3008; A61B 2050/3009; A61B  
 2050/3011; A61B 34/20; A61B 50/33;  
 A61B 50/34; A61B 5/0033; A61B  
 5/0035; A61B 5/0036; A61B 5/0037;  
 A61B 5/004; A61B 5/0042; A61B  
 5/0044; A61G 12/00; A61G 12/001;  
 A61G 12/002; A61G 12/004; A61G  
 12/005; A61G 12/007; A61G 12/008;  
 A61J 7/00; A61J 7/0069; A61J 7/0076;  
 A61J 7/0084; A61J 7/02; A61J 7/04;  
 A61J 7/0409; A61J 7/0418; A61J 7/0427;  
 A61J 7/0436; A61J 7/0445; A61J 7/0454;  
 A61J 7/0463; A61J 7/0472; A61J 7/0481;  
 A61J 7/049; B01L 3/502707; B01L  
 3/5027; B62B 3/00; B62B 3/002; B62B  
 3/02; B62B 5/06; B62B 5/061; B62B  
 5/064; B62B 5/065; B62B 5/066; B62B  
 5/067; B65D 83/04; B65D 83/0409;  
 B65D 83/0418; B65D 83/0427; B65D  
 83/0436; B65D 83/0445; B65D 83/0454;  
 B65D 83/0463; B65D 83/0472; B65D  
 83/0481; B65D 83/049; G02F 1/00; G02F  
 1/01; G09G 3/00; G09G 3/006; G09G  
 3/34; G09G 3/3406; G09G 3/3413; G09G  
 3/342; G09G 3/3426; G16H 20/00; G16H  
 20/10; G16H 20/13; G16H 20/17; G16H  
 20/30; G16H 20/40; G16H 20/60; G16H

20/70; G16H 20/90; G16H 40/00; G16H  
 40/60; Y10T 137/00

See application file for complete search history.

(56)

**References Cited**

U.S. PATENT DOCUMENTS

|              |    |   |         |         |       |                         |
|--------------|----|---|---------|---------|-------|-------------------------|
| D700,706     | S  | * | 3/2014  | Molter  | ..... | D24/185                 |
| D712,042     | S  | * | 8/2014  | Chung   | ..... | D24/185                 |
| D712,540     | S  | * | 9/2014  | Hansen  | ..... | D24/158                 |
| D730,011     | S  | * | 5/2015  | McRorie | ..... | D34/14                  |
| D806,340     | S  | * | 12/2017 | Stalter | ..... | D34/14                  |
| D854,772     | S  | * | 7/2019  | Ecklund | ..... | D34/12                  |
| D894,402     | S  | * | 8/2020  | Couch   | ..... | D24/185                 |
| D894,403     | S  | * | 8/2020  | Couch   | ..... | D24/185                 |
| 2009/0212670 | A1 | * | 8/2009  | Bustle  | ..... | A47B 21/0314<br>312/209 |
| 2019/0059859 | A1 | * | 2/2019  | Pinch   | ..... | A61B 8/4405             |
| 2019/0254420 | A1 | * | 8/2019  | Rossini | ..... | F16M 11/24              |

OTHER PUBLICATIONS

Youtube, Ergotron CareFit Fits Your Needs, first available Sep. 6, 2018. ([https://www.youtube.com/watch?v=0I0UpnC2LSA&feature=emb\\_title](https://www.youtube.com/watch?v=0I0UpnC2LSA&feature=emb_title)) (Year: 2018).\*

Youtube, SlimCart quick view by Capsa Healthcare, first available May 13, 2019. (<https://www.youtube.com/watch?v=dXHlq2TYiLM>) (Year: 2019).\*

VM Electronics, VM Carts, first available Dec. 29, 2020. (<https://web.archive.org/web/20201229133943/https://www.vmelectronics.com/medical-carts-and-point-of-care-computing-carts-folder/vm-carts>) (Year: 2020).\*

Twitter, Capsa Health Care, first available Dec. 18, 2020. (<https://twitter.com/CapsaHealthcare/status/1339925916357681152?s=20>) (Year: 2020).

\* cited by examiner

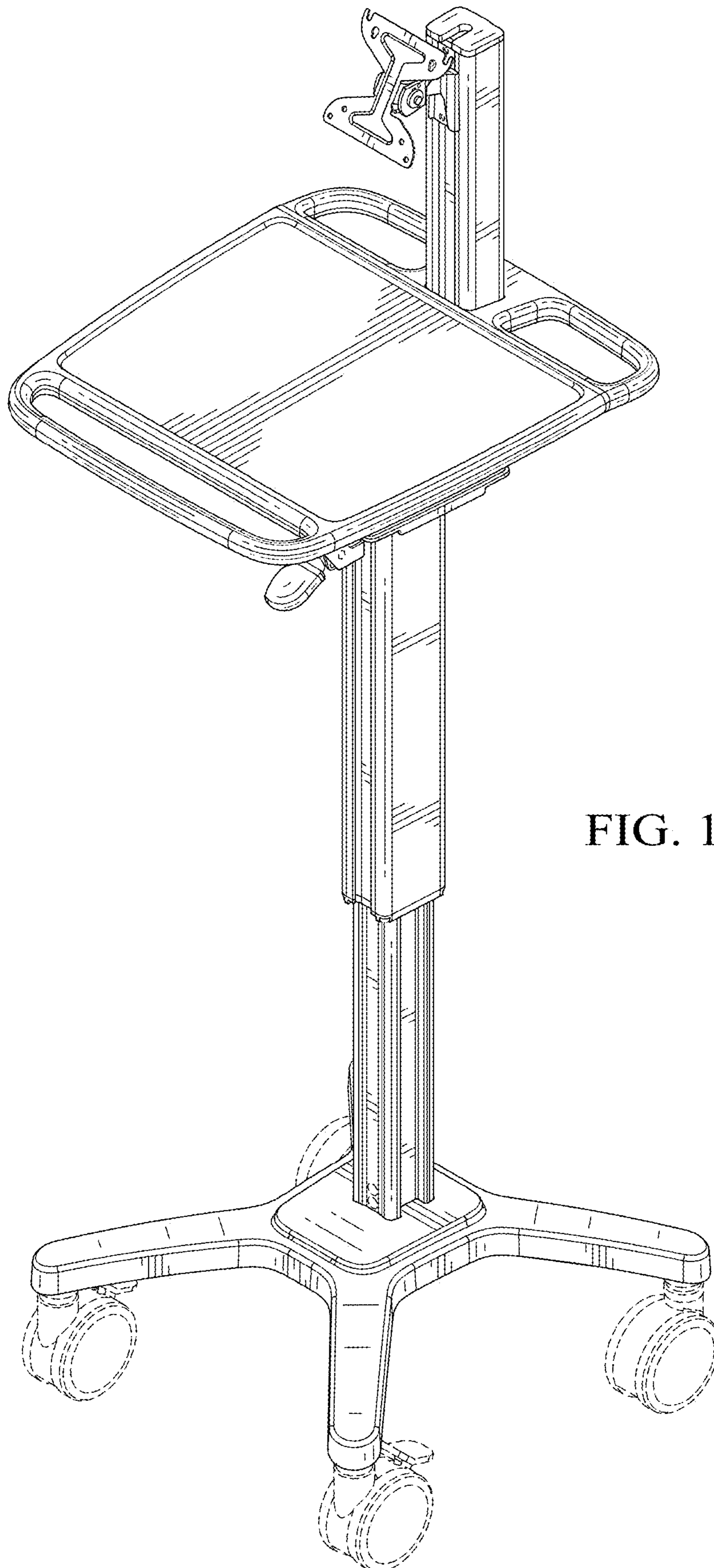


FIG. 1

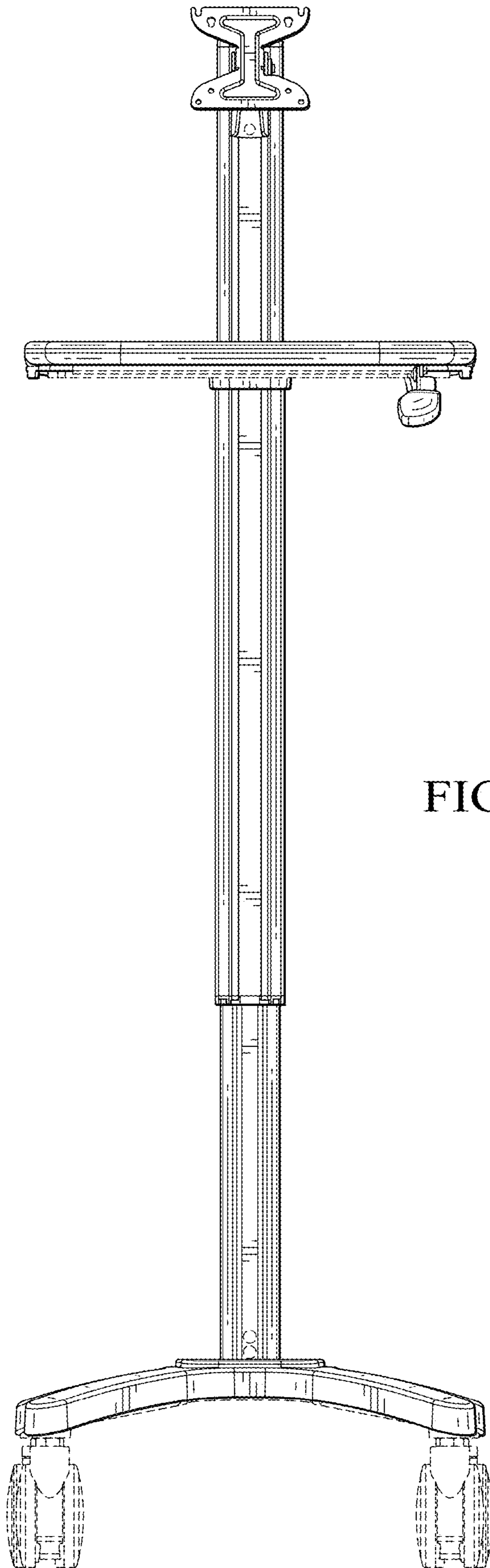


FIG. 2

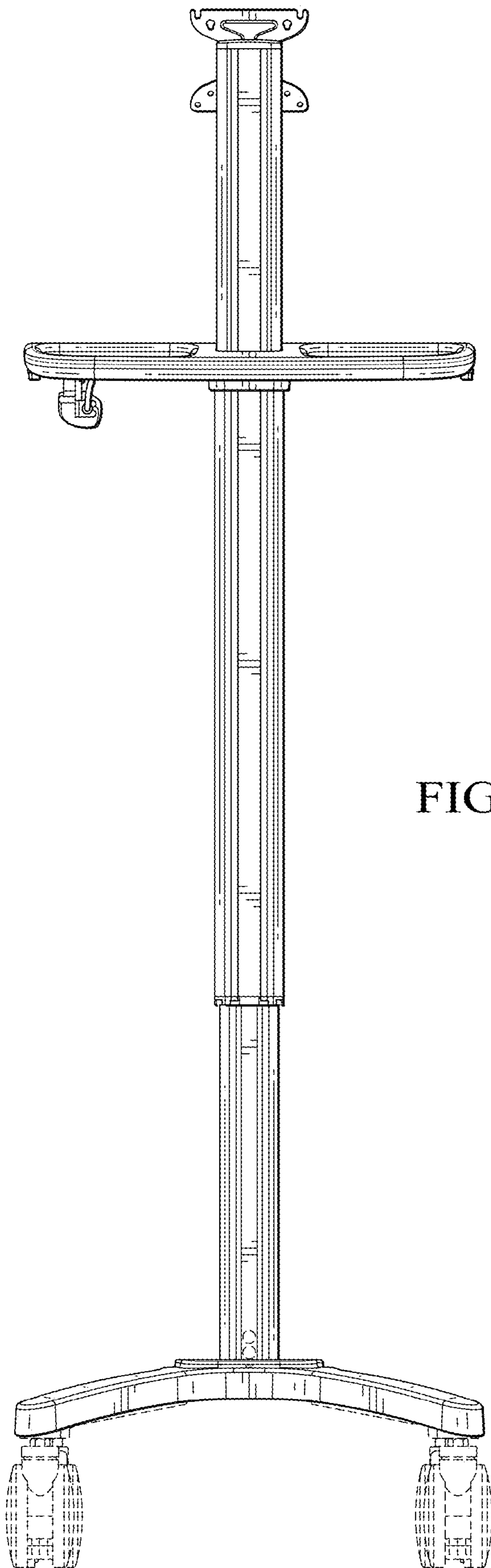


FIG.3

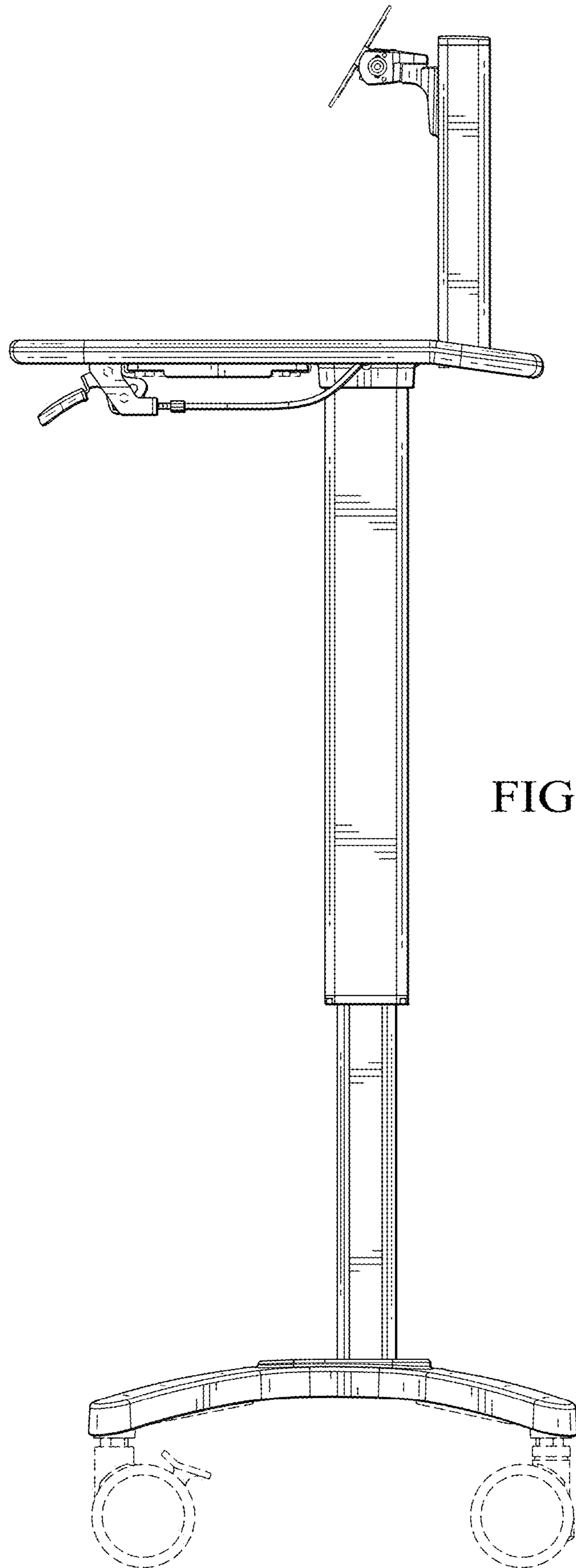


FIG. 4

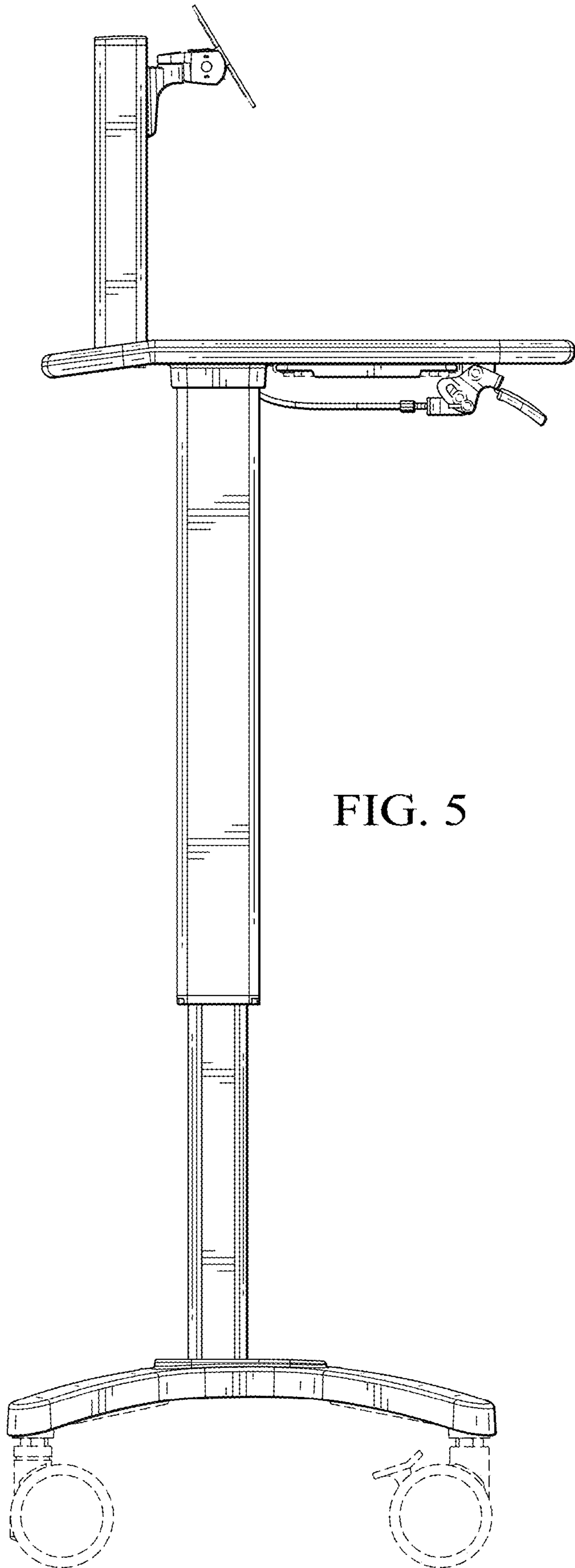


FIG. 5

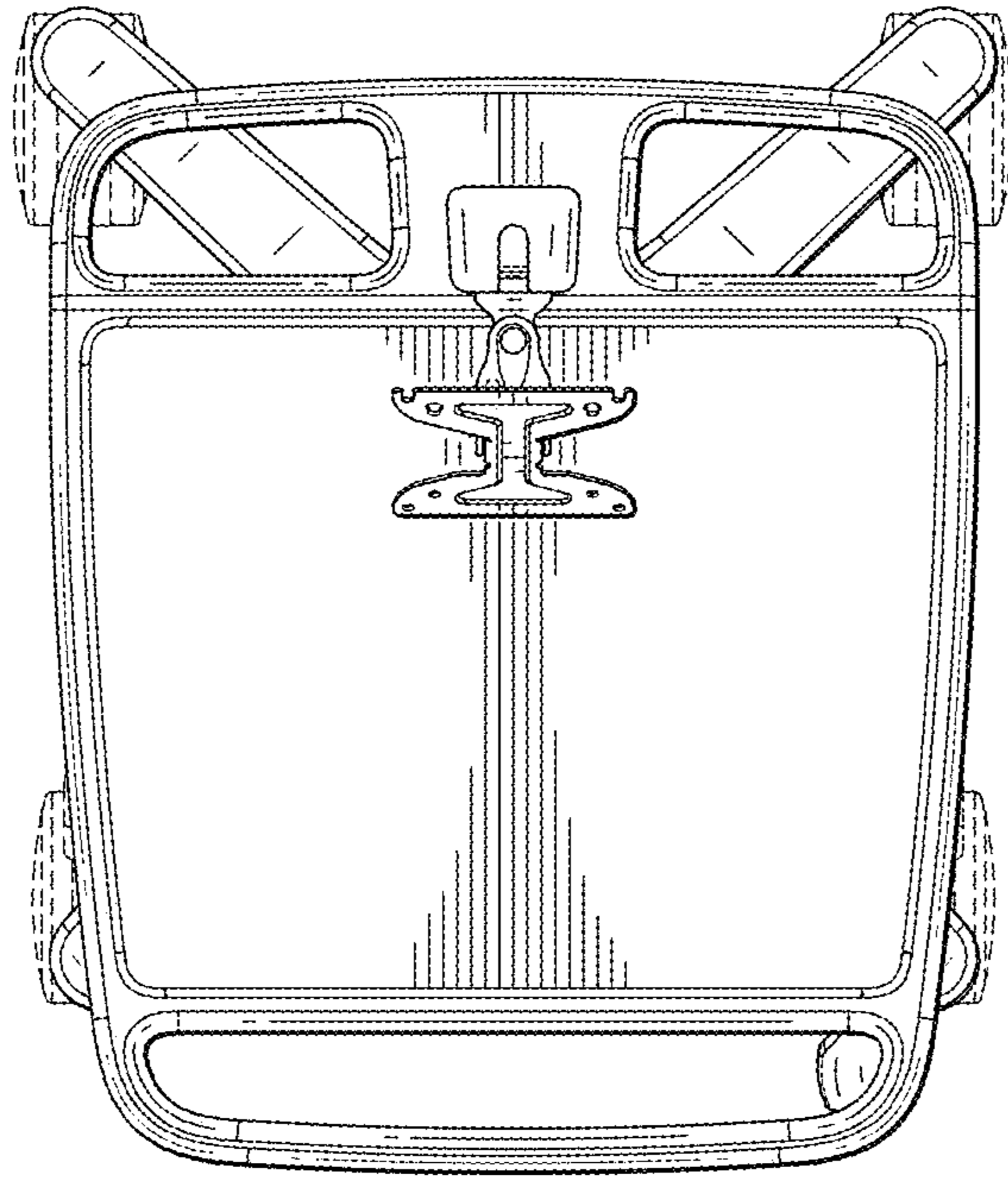


FIG. 6

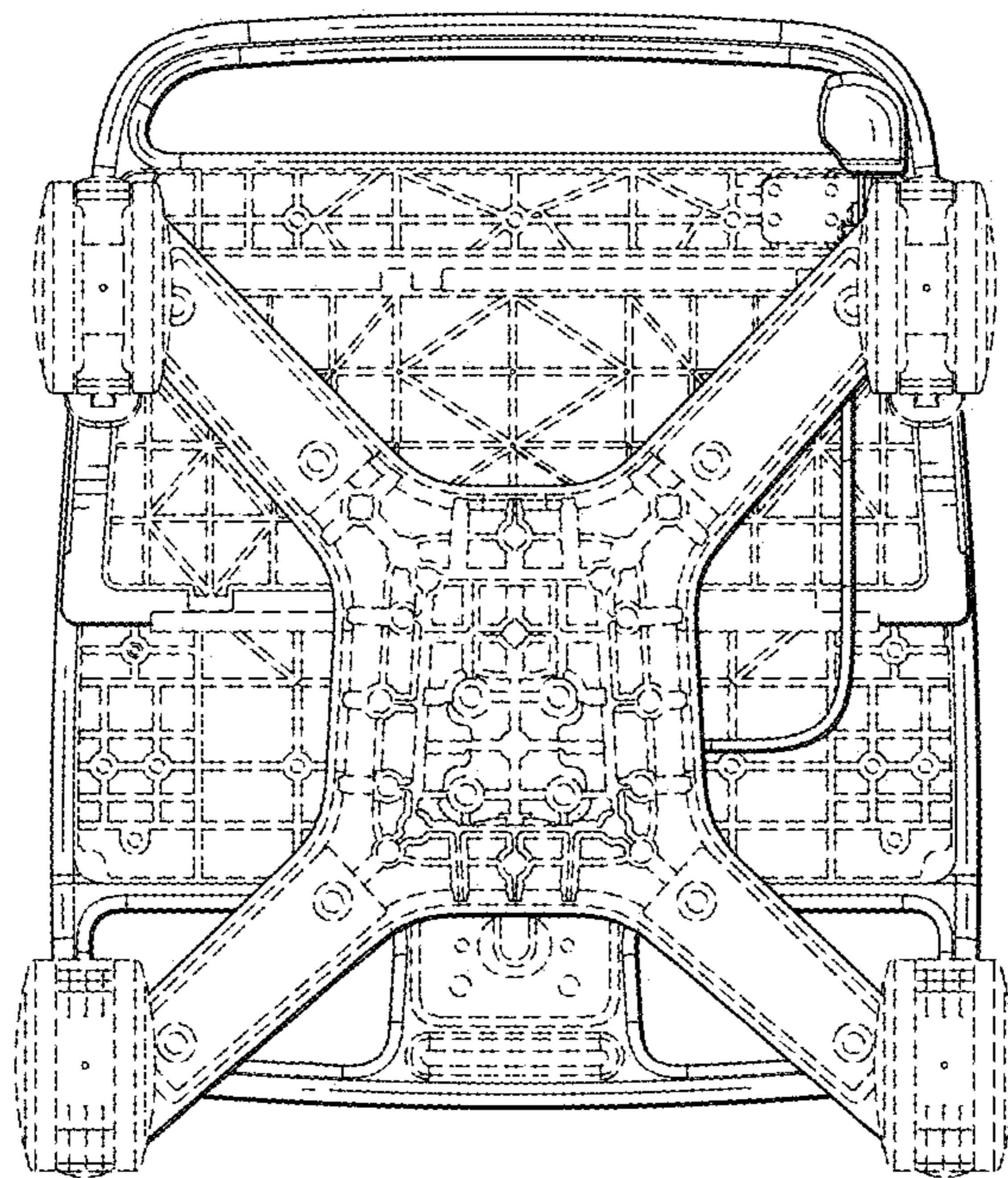


FIG. 7