



US00D923798S

(12) **United States Design Patent** (10) **Patent No.:** **US D923,798 S**  
**Goulet et al.** (45) **Date of Patent:** **\*\* Jun. 29, 2021**

- (54) **MEDICAL DEVICE CONSOLE**
- (71) Applicant: **Galil Medical Inc.**, Arden Hills, MN (US)
- (72) Inventors: **Matthew Goulet**, Bloomington, MN (US); **Dennis Babcock**, Maple Grove, MN (US); **Tim Bachman**, Saint Paul, MN (US); **Luan Chan**, Coon Rapids, MN (US); **Logan Ernster**, Minneapolis, MN (US); **Christine Kongsvik**, Mahtomedi, MN (US); **Winston Tan**, Plymouth, MN (US)
- (73) Assignee: **Galil Medical Inc.**, Arden Hills, MN (US)
- (\*\*) Term: **15 Years**
- (21) Appl. No.: **29/647,802**
- (22) Filed: **May 15, 2018**
- (51) **LOC (13) Cl.** ..... **24-02**
- (52) **U.S. Cl.**  
USPC ..... **D24/185**
- (58) **Field of Classification Search**  
USPC ..... D24/185, 172, 186, 216, 232, 108, 158, D24/169, 110; D10/81  
CPC ..... B04B 5/0414  
See application file for complete search history.

- D737,702 S \* 9/2015 Selberg ..... D10/81
- D801,519 S \* 10/2017 Sabin ..... D24/108
- D803,386 S \* 11/2017 Sabin ..... D24/108
- D827,859 S \* 9/2018 Mathers ..... D24/232
- D829,337 S \* 9/2018 Klein ..... D24/216
- D832,996 S \* 11/2018 Formica ..... D24/110
- D835,281 S \* 12/2018 Clifford ..... D24/185
- D846,745 S \* 4/2019 Clifford ..... D24/185
- D861,167 S \* 9/2019 Emery ..... D24/158
- D872,865 S \* 1/2020 Richter ..... D24/186
- D890,351 S \* 7/2020 Sung ..... D24/185
- 2010/0256620 A1 10/2010 Maytal

**OTHER PUBLICATIONS**

Parks et al., "Medical Device Console," Unpublished Design U.S. Appl. No. 29/647,670, filed May 15, 2018, 12 pages.

\* cited by examiner

*Primary Examiner* — Rhea Shields

(74) *Attorney, Agent, or Firm* — Faegre Drinker Biddle & Reath, LLP

(57) **CLAIM**

We claim the ornamental design for a medical device console, as shown and described.

**DESCRIPTION**

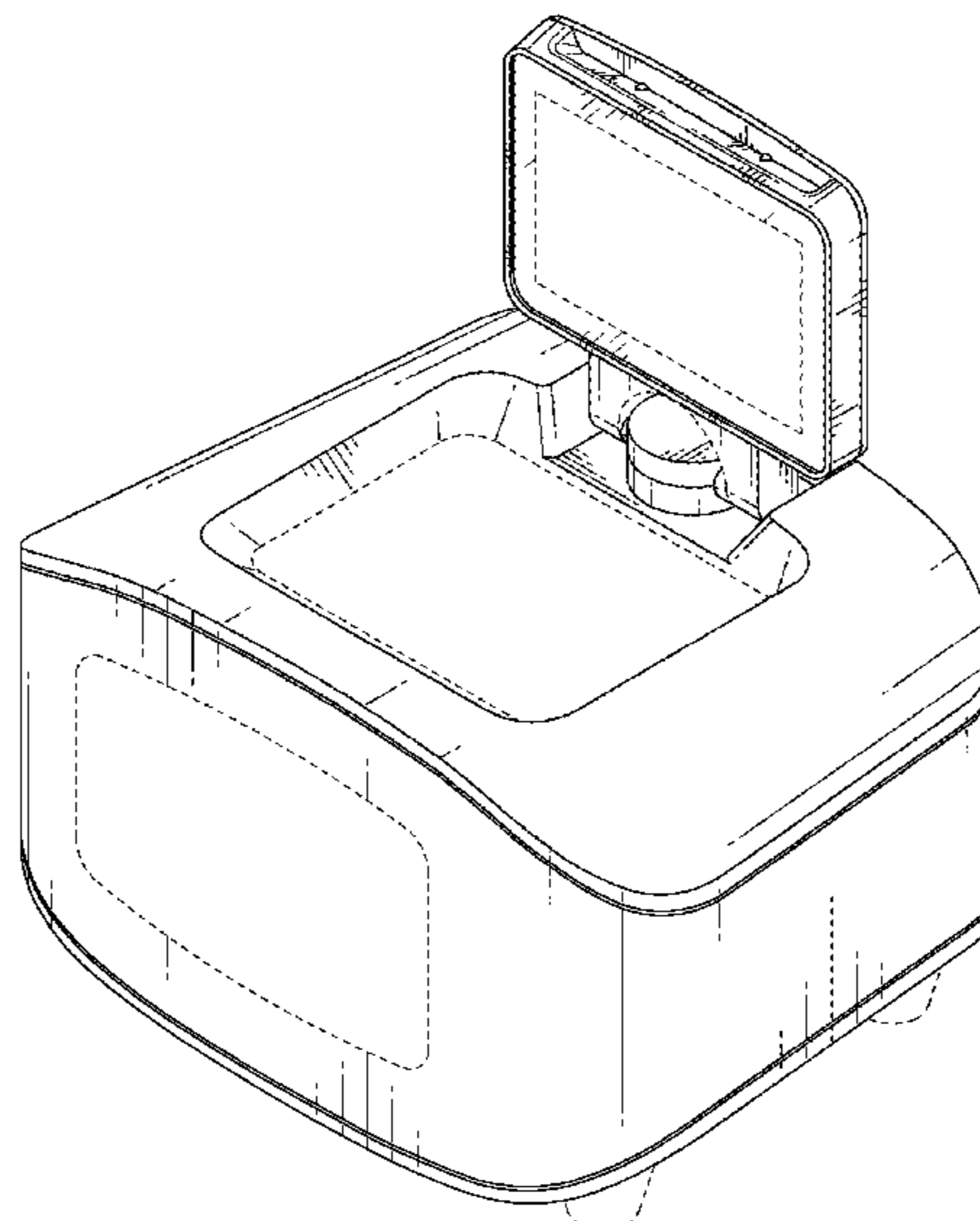
FIG. 1 is a side upper perspective view of a medical device console, showing our new design; FIG. 2 is a front elevational view thereof; FIG. 3 is a first side elevational view thereof, the side elevational view opposite the first side elevational view being a mirror image thereof; FIG. 4 is a rear elevational view thereof; FIG. 5 is a top plan view thereof; and, FIG. 6 is a bottom plan view thereof. In the drawings, the broken lines are for the purpose of illustrating portions of the medical device console which forms no part of the claimed design.

**1 Claim, 5 Drawing Sheets**

(56) **References Cited**

**U.S. PATENT DOCUMENTS**

- 3,970,245 A \* 7/1976 Aeschlimann ..... B04B 5/0414 494/9
- D362,721 S \* 9/1995 Peeler ..... D24/169
- D477,084 S \* 7/2003 Menezes ..... D24/172
- D567,381 S \* 4/2008 Olivera ..... D24/185
- D638,128 S \* 5/2011 Prokop ..... D24/172
- 8,066,697 B2 11/2011 Zvuloni et al.
- D661,810 S \* 6/2012 Zanoni ..... D24/186
- 9,078,733 B2 7/2015 Ramadhyani et al.



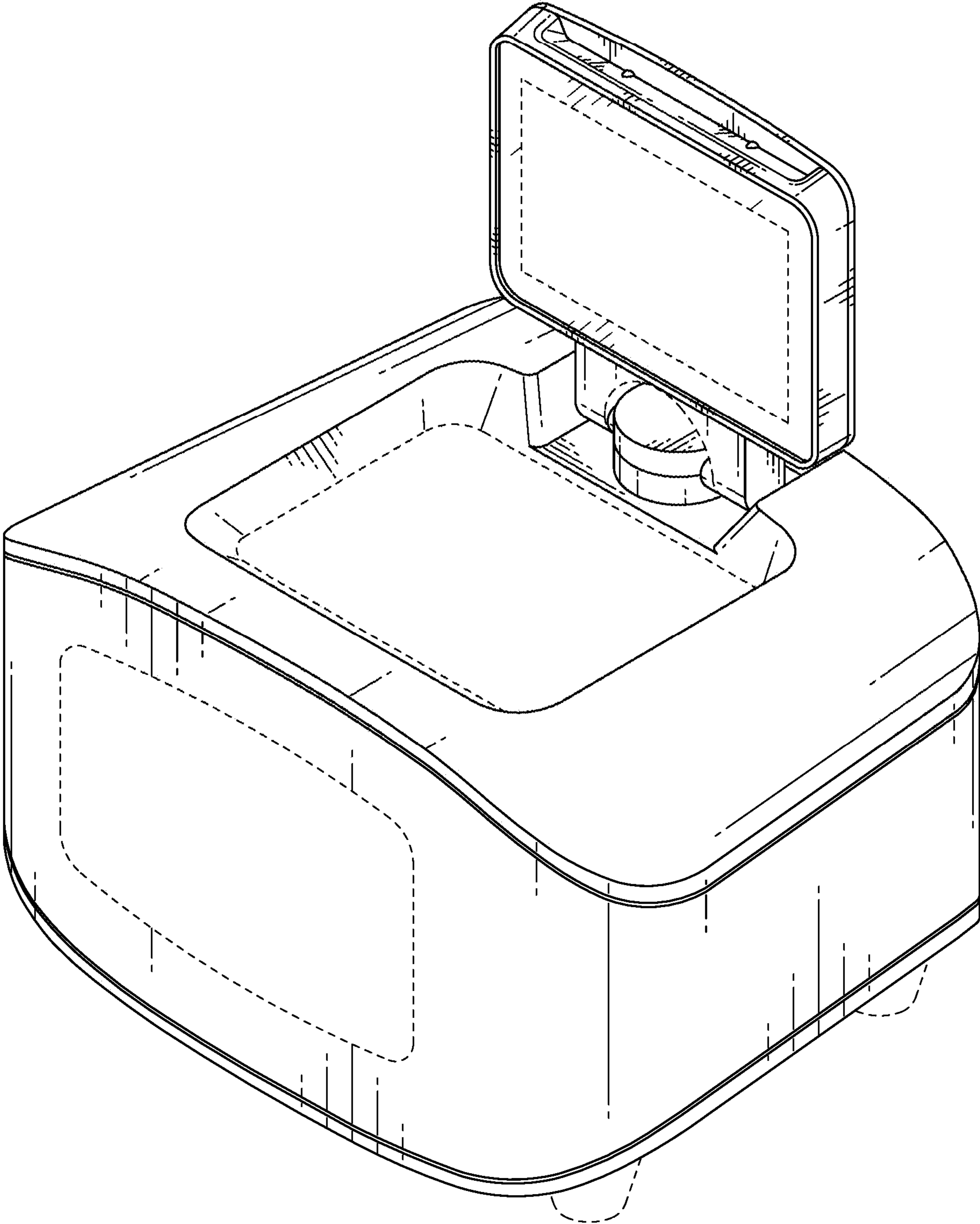


FIG. 1

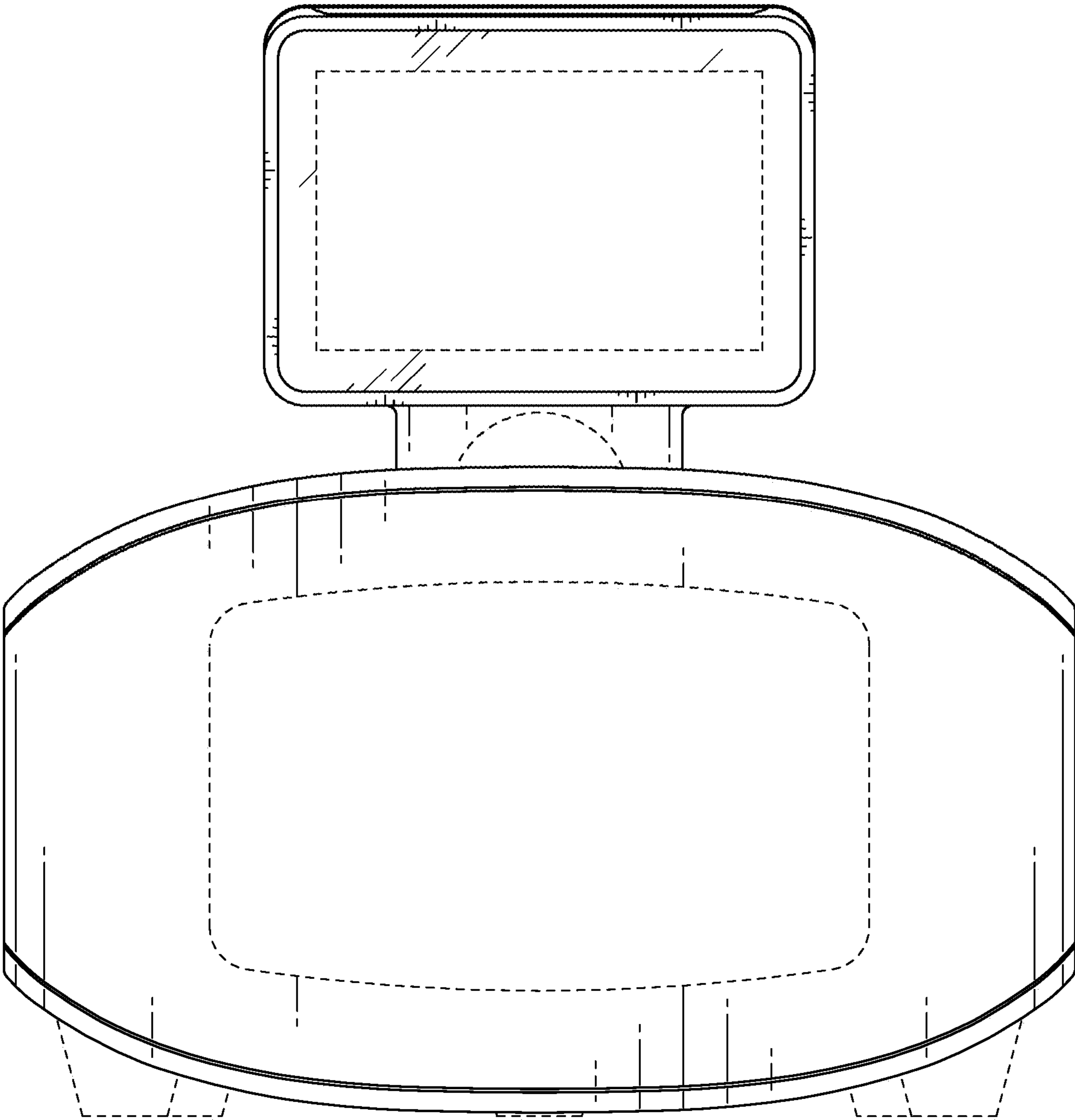


FIG. 2

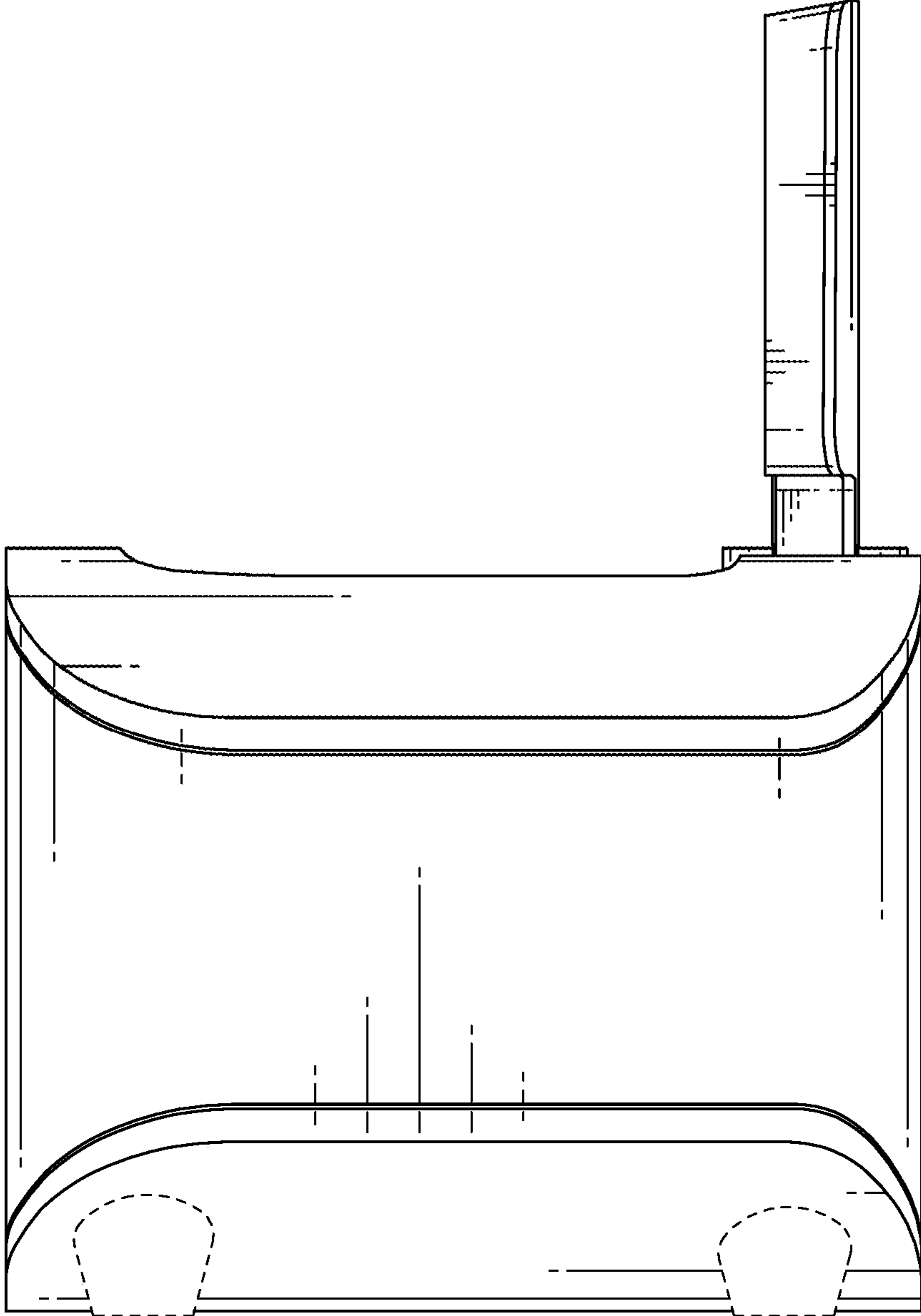


FIG. 3

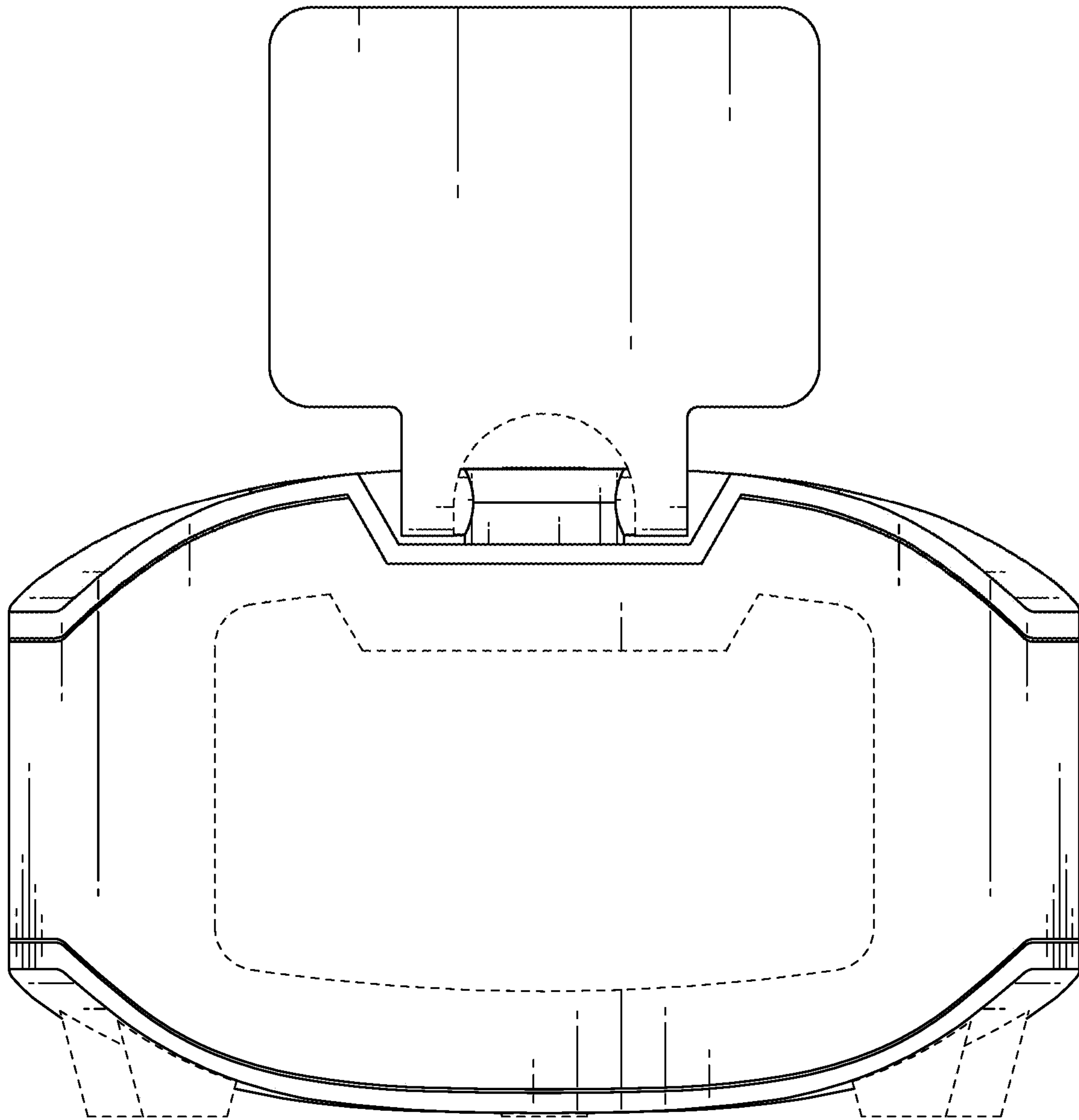


FIG. 4

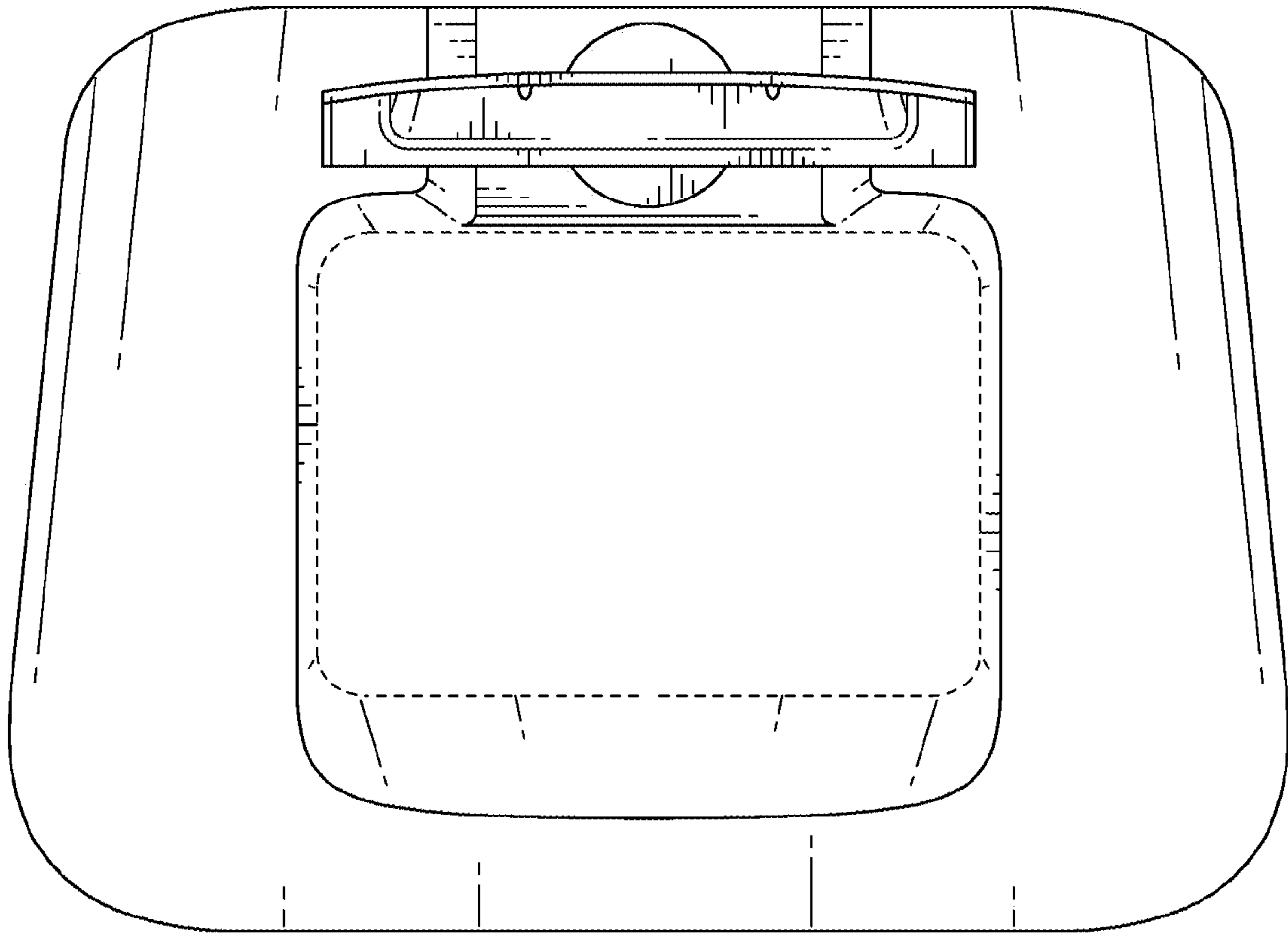


FIG. 5

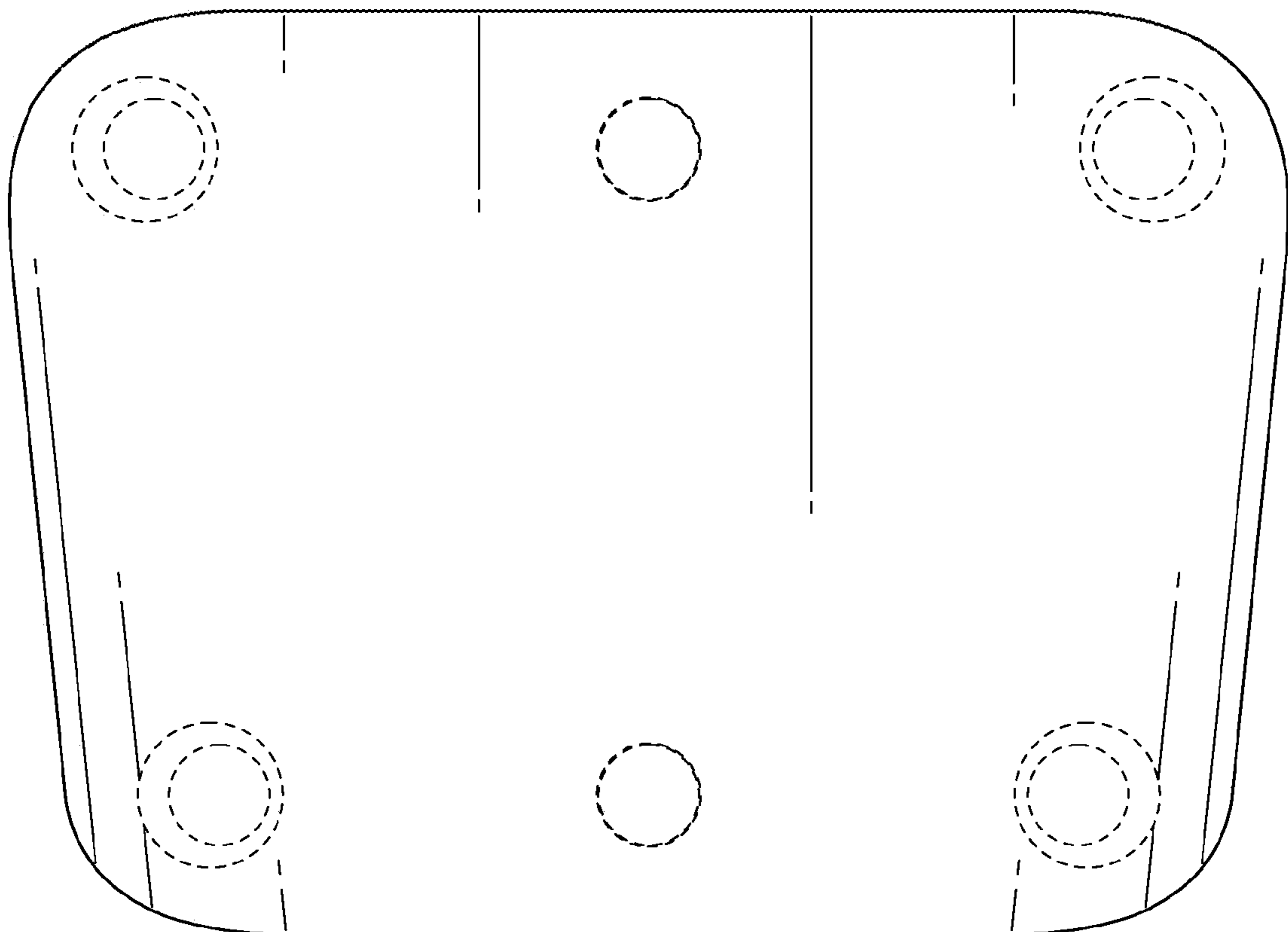


FIG. 6