



US00D923797S

(12) **United States Design Patent** (10) **Patent No.:** **US D923,797 S**
Parks et al. (45) **Date of Patent:** **** Jun. 29, 2021**

(54) **MEDICAL DEVICE CONSOLE**
(71) Applicant: **Galil Medical Inc.**, Arden Hills, MN (US)
(72) Inventors: **Nicole Lee Parks**, Crystal, MN (US); **Dennis Babcock**, Maple Grove, MN (US); **Jorge Alberto Treviño Blanco**, Monterrey (MX); **Luan Chan**, Coon Rapids, MN (US); **Christine Kongsvik**, Mahtomedi, MN (US); **Eric Krause**, Big Lake, MN (US); **Ted Perron**, White Bear Lake, MN (US); **Tyler Dale Thompson**, Troy, MO (US); **Charles Wood**, Delano, MN (US)
(73) Assignee: **Galil Medical Inc.**, Arden Hills, MN (US)
(**) Term: **15 Years**
(21) Appl. No.: **29/647,670**
(22) Filed: **May 15, 2018**
(51) **LOC (13) Cl.** **24-02**
(52) **U.S. Cl.**
USPC **D24/185**
(58) **Field of Classification Search**
USPC D24/185, 172, 186, 216, 232, 108, 158, D24/169, 110; D10/81
CPC B04B 5/0414
See application file for complete search history.

(56) **References Cited**
U.S. PATENT DOCUMENTS
3,970,245 A * 7/1976 Aeschlimann B04B 5/0414 494/9
D362,721 S * 9/1995 Peeler D24/169
D477,084 S * 7/2003 Menezes D24/172
D567,381 S * 4/2008 Olivera D24/185
D638,128 S * 5/2011 Prokop D24/172

8,066,697 B2 11/2011 Zvuloni et al.
D661,810 S * 6/2012 Zanoni D24/186
9,078,733 B2 7/2015 Ramadhyani et al.
D737,702 S * 9/2015 Selberg D10/81
D801,519 S * 10/2017 Sabin D24/108
D803,386 S * 11/2017 Sabin D24/108
D827,859 S * 9/2018 Mathers D24/232
D829,337 S * 9/2018 Klein D24/216
D832,996 S * 11/2018 Formica D24/110
D835,281 S * 12/2018 Clifford D24/185
D846,745 S * 4/2019 Clifford D24/185
D861,167 S * 9/2019 Emery D24/158

(Continued)

OTHER PUBLICATIONS

“Visual Ice Cryoablation System,” User Manual, Galil Medical Inc., Mar. 2015, 104 pages.

(Continued)

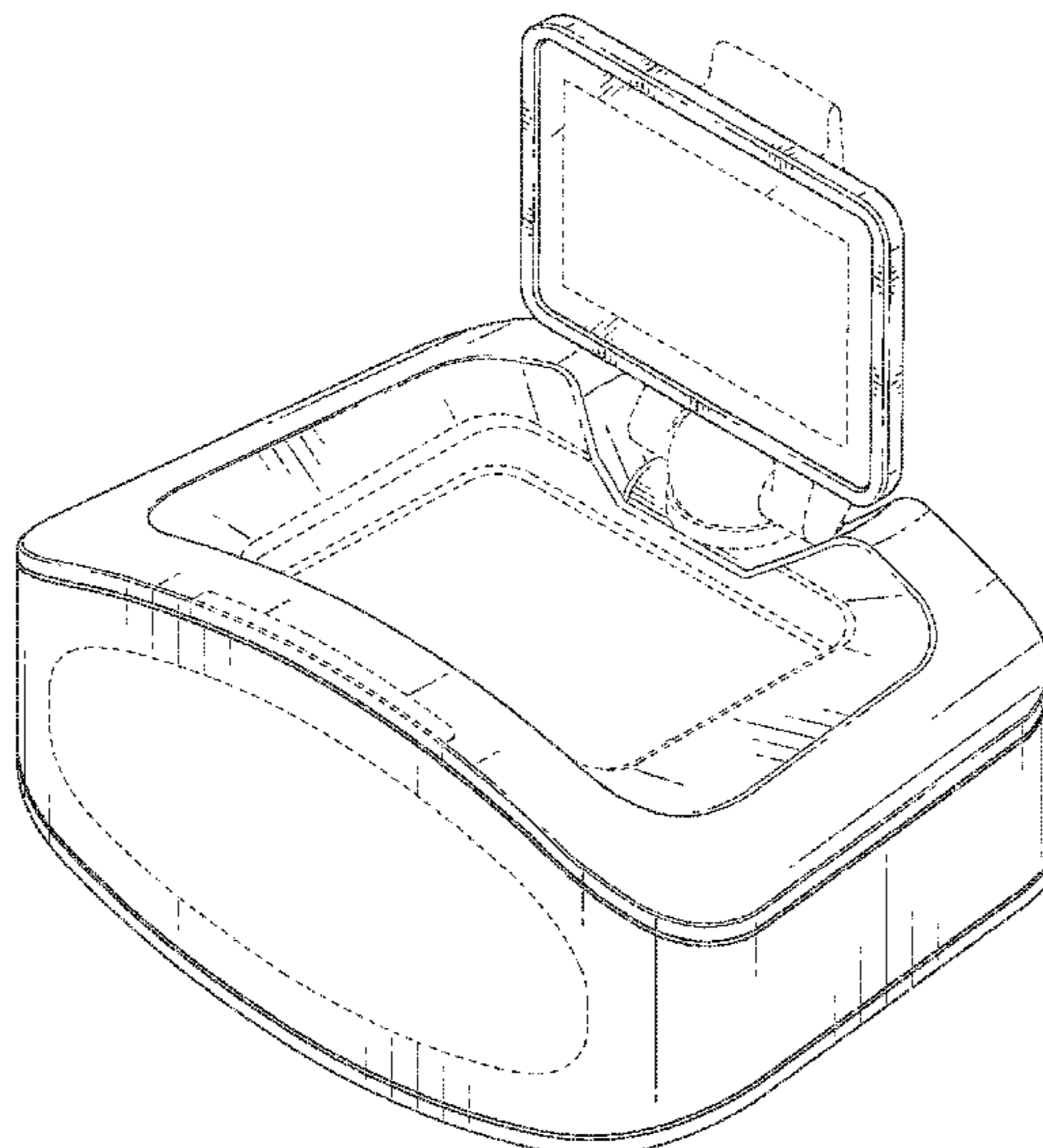
Primary Examiner — Rhea Shields
(74) *Attorney, Agent, or Firm* — Faegre Drinker Biddle & Reath LLP

(57) **CLAIM**
We claim the ornamental design for a medical device console, as shown and described.

DESCRIPTION

FIG. 1 is a side upper perspective view of a medical device console, showing our new design;
FIG. 2 is a front elevational view thereof;
FIG. 3 is a first side elevational view thereof, the side elevational view opposite the first side elevational view being a mirror image thereof;
FIG. 4 is a rear elevational view thereof;
FIG. 5 is a top plan view thereof; and,
FIG. 6 is a bottom plan view thereof.
In the drawings, the broken lines are for the purpose of illustrating portions of the medical device console which forms no part of the claimed design.

1 Claim, 5 Drawing Sheets



(56)

References Cited

U.S. PATENT DOCUMENTS

D872,865 S * 1/2020 Richter D24/186
D890,351 S * 7/2020 Sung D24/185
2010/0256620 A1 10/2010 Maytal

OTHER PUBLICATIONS

Goulet et al., "Medical Device Console," Unpublished Design U.S.
Appl. No. 29/647,802, filed May 15, 2018, 12 pages.

* cited by examiner

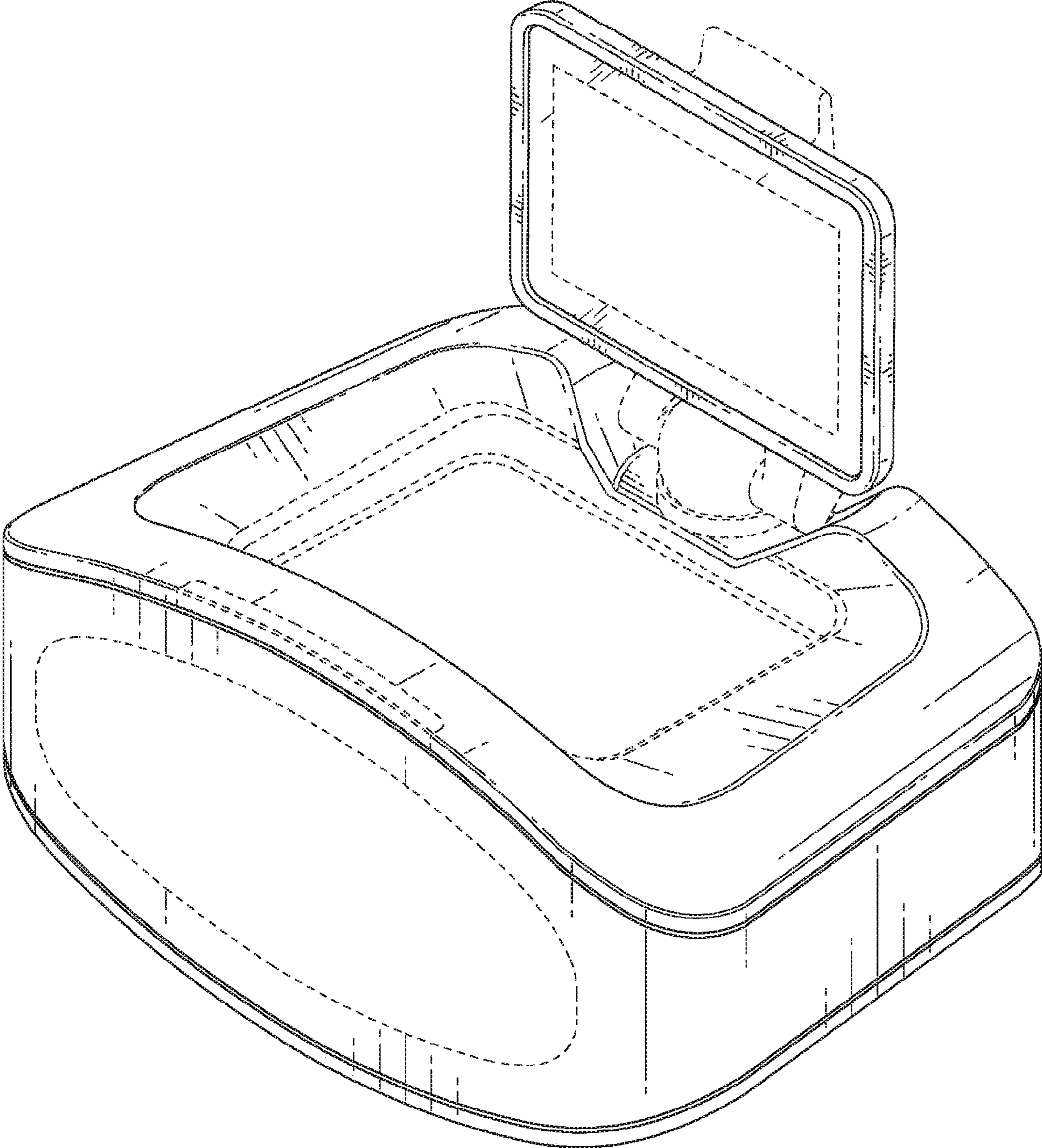


FIG. 1

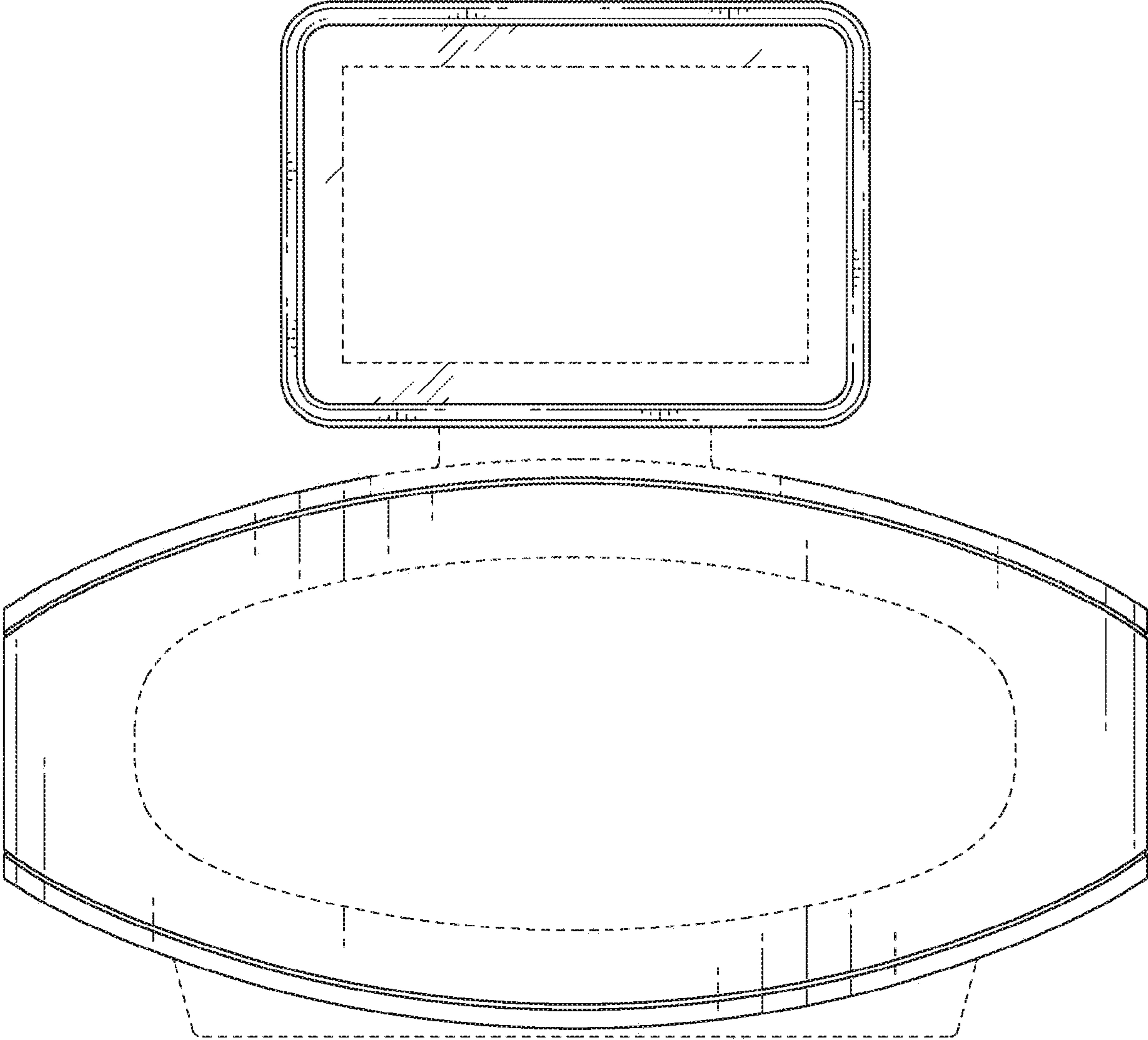


FIG. 2

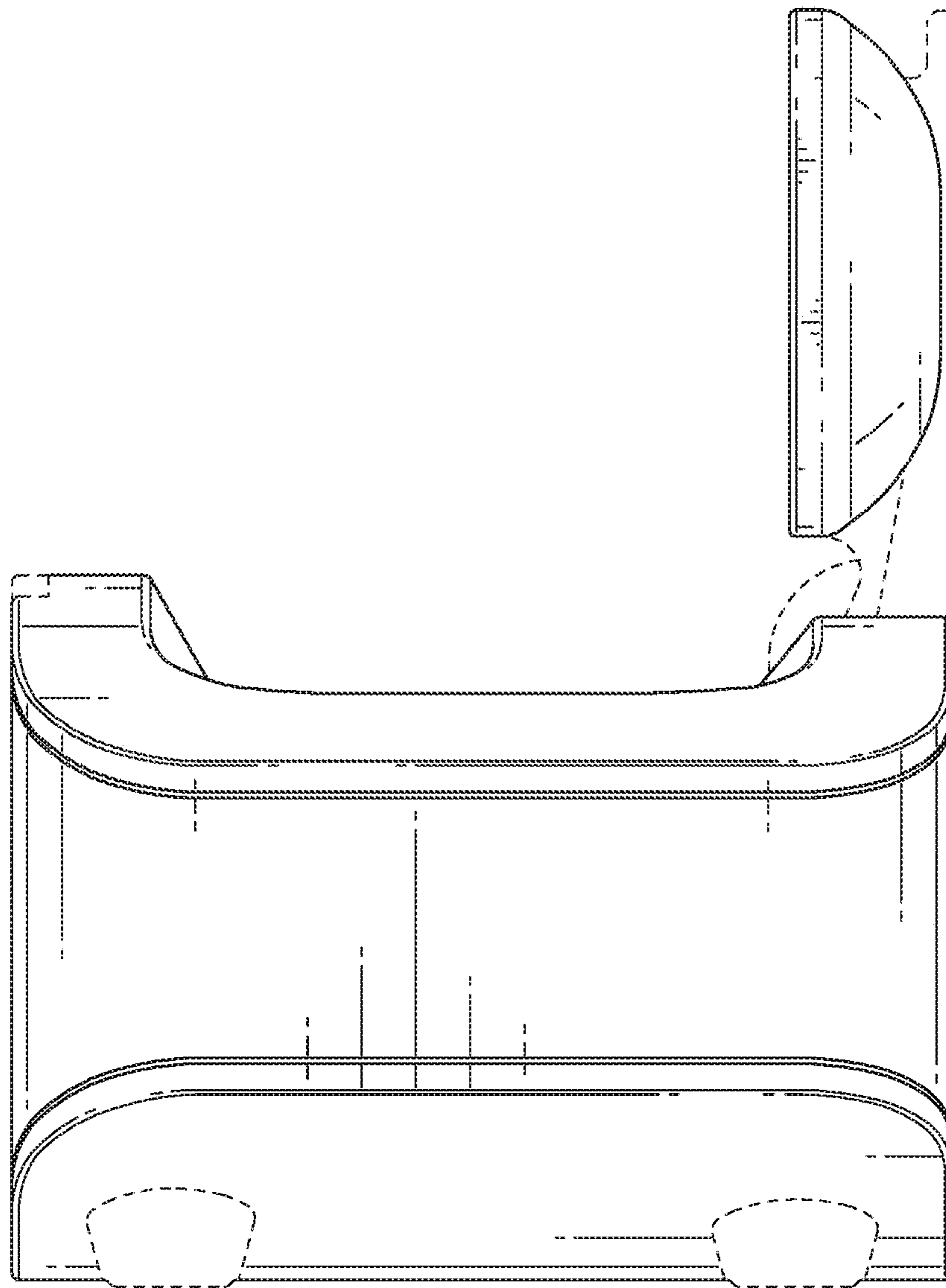


FIG. 3

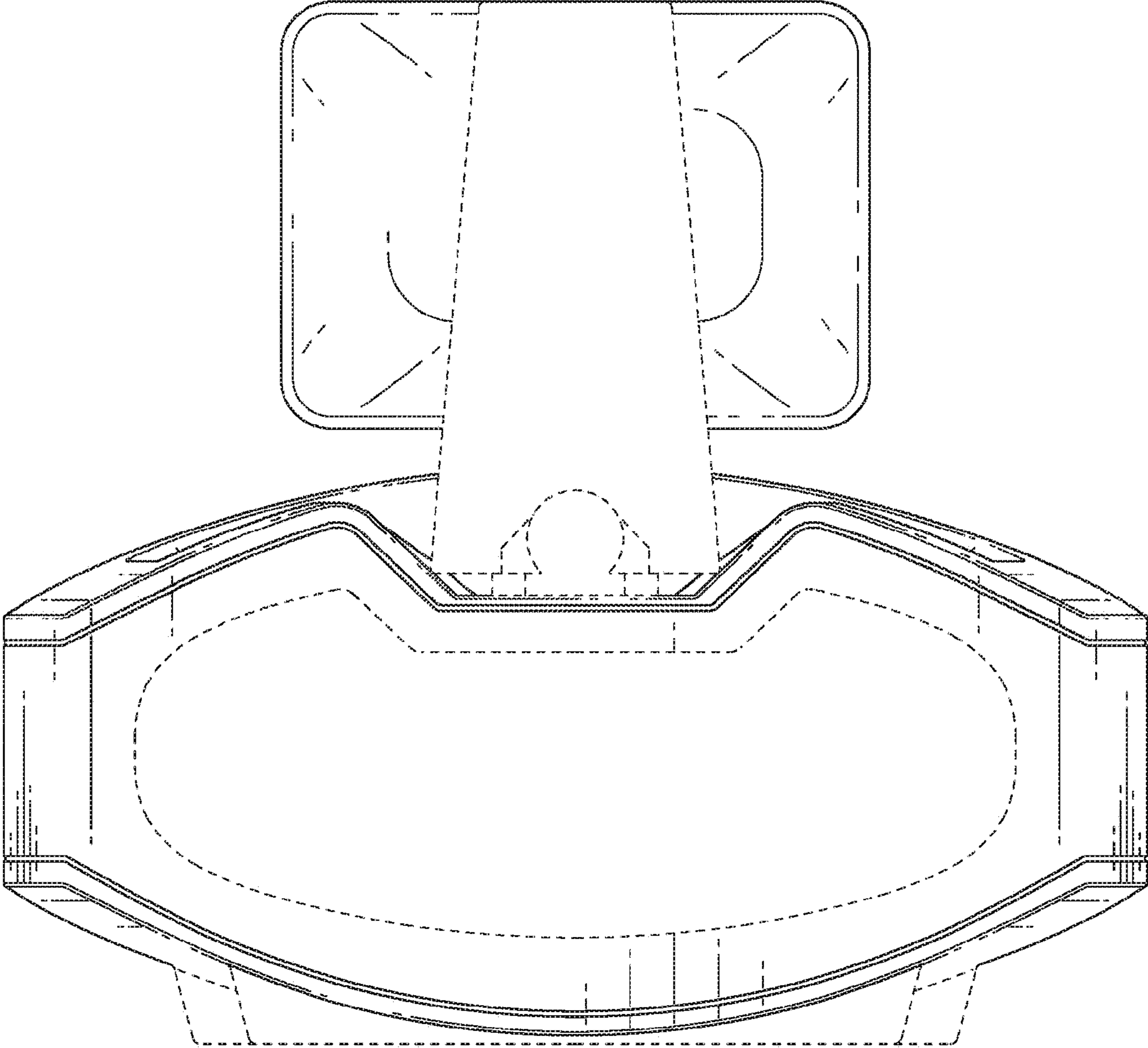


FIG. 4

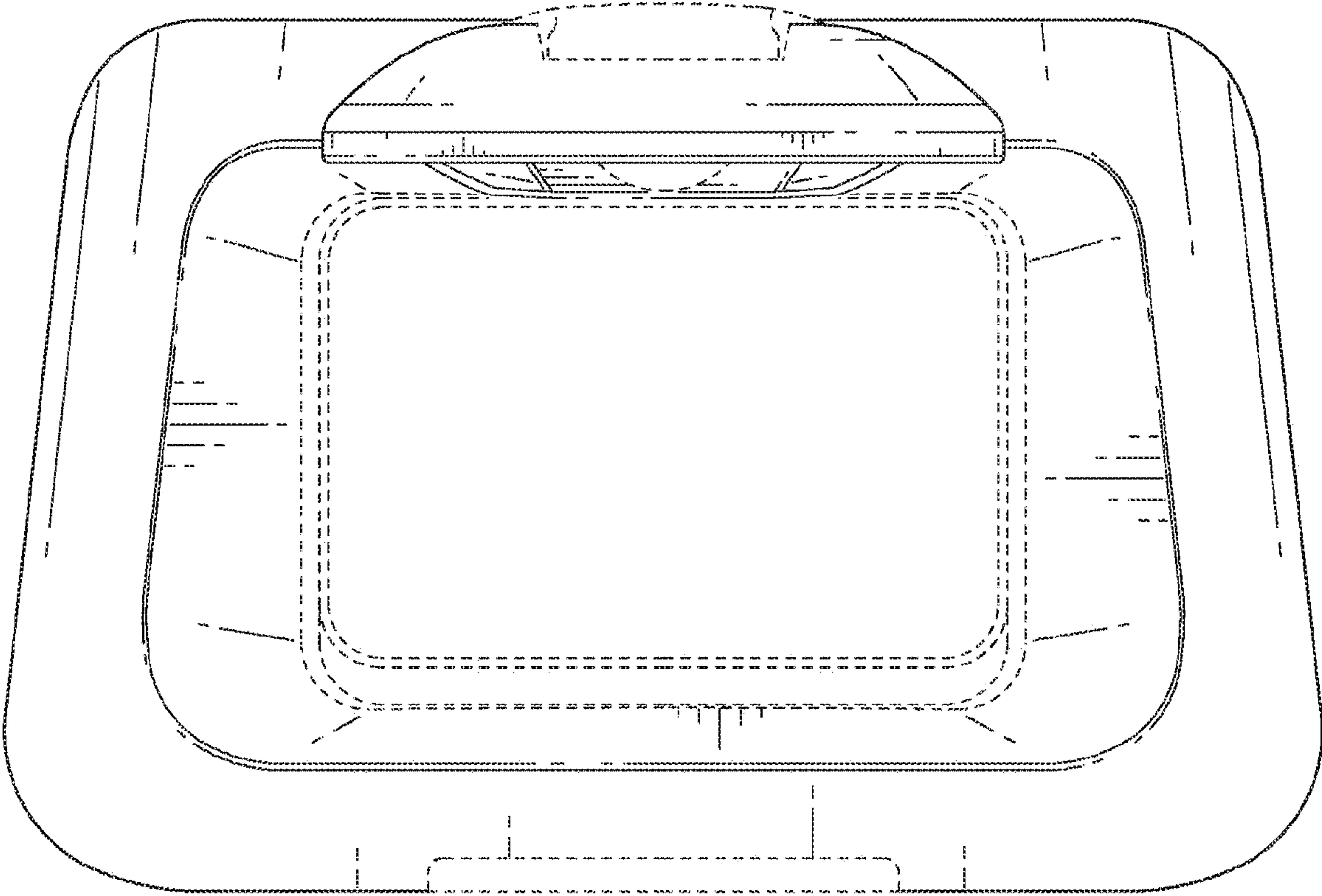


FIG. 5

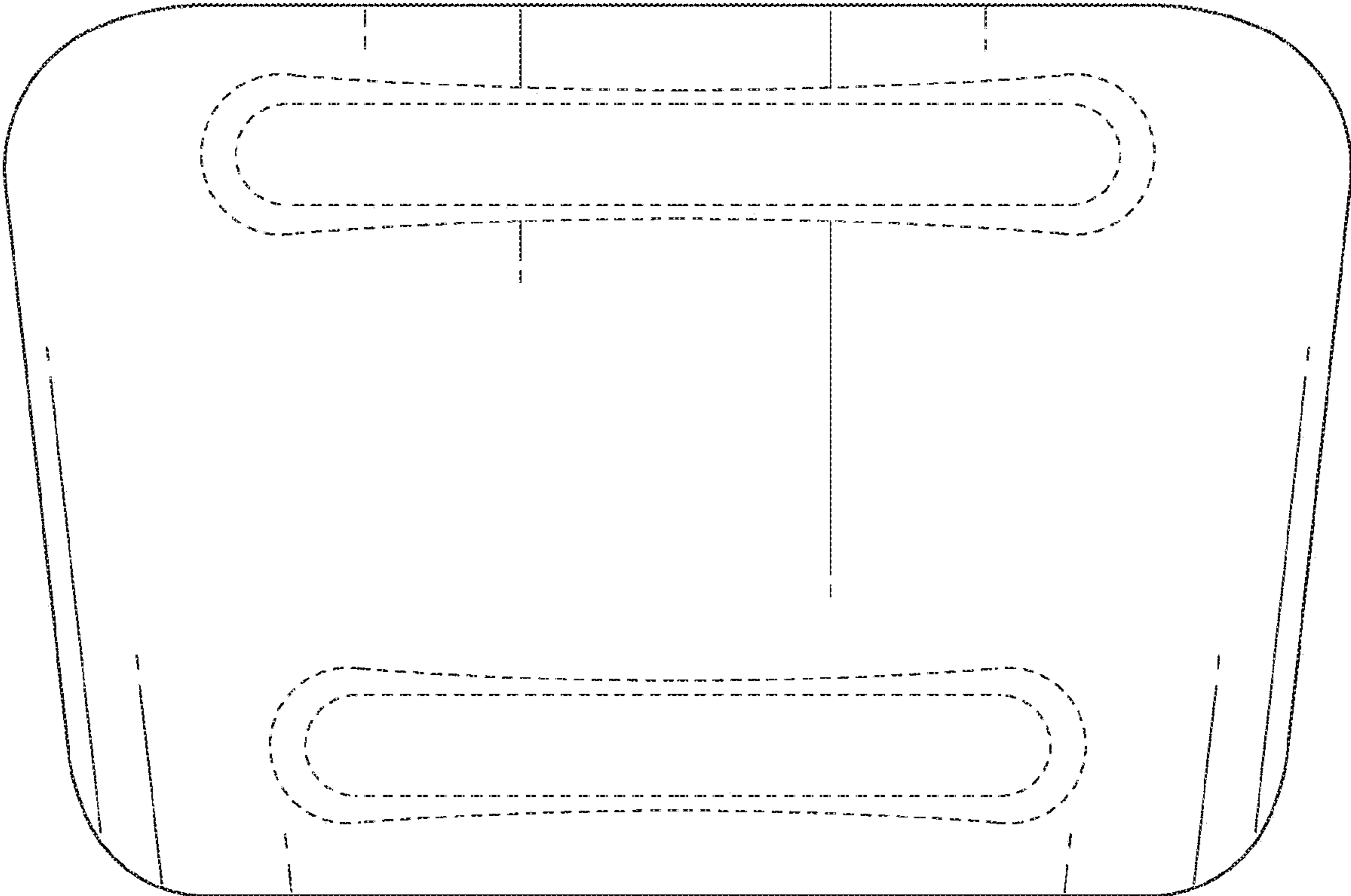


FIG. 6