



US00D923794S

(12) **United States Design Patent** (10) **Patent No.:** **US D923,794 S**  
**Hirasawa et al.** (45) **Date of Patent:** **\*\* Jun. 29, 2021**

- (54) **SPHYGMOMANOMETER WITH ELECTROCARDIOGRAPH**
- (71) Applicant: **OMRON HEALTHCARE Co., Ltd.,**  
Muko (JP)
- (72) Inventors: **Asa Hirasawa, Muko (JP); Tsuyoshi Ogihara, Muko (JP); Kengo Nishiyama, Muko (JP); Kosuke Inoue, Muko (JP)**
- (73) Assignee: **OMRON HEALTHCARE Co., Ltd.,**  
Kyoto (JP)
- (\*\*) Term: **15 Years**
- (21) Appl. No.: **29/750,585**
- (22) Filed: **Sep. 15, 2020**

**Related U.S. Application Data**

- (62) Division of application No. 29/654,469, filed on Jun. 25, 2018, now Pat. No. Des. 899,599.

**Foreign Application Priority Data**

- (30) Dec. 26, 2017 (JP) ..... 2017-029154  
 Dec. 26, 2017 (JP) ..... 2017-029155  
 Dec. 26, 2017 (JP) ..... 2017-029156

- (51) **LOC (13) Cl.** ..... **24-02**
- (52) **U.S. Cl.**  
USPC ..... **D24/165**
- (58) **Field of Classification Search**  
USPC ..... D24/107, 164, 165–168, 186, 187;  
D10/75, 70, 98  
CPC ..... A61B 5/0402; A61B 5/0404; A61B 5/021;  
A61B 5/024; A61B 5/02438; A61B  
5/681; A61B 2560/0205; A61B  
2560/0462  
See application file for complete search history.

- (56) **References Cited**
- U.S. PATENT DOCUMENTS
- |              |         |                  |         |
|--------------|---------|------------------|---------|
| D264,810 S * | 6/1982  | Voltmann .....   | D24/226 |
| 6,547,741 B2 | 4/2003  | Mori et al.      |         |
| D535,028 S   | 1/2007  | Kobayashi et al. |         |
| D554,266 S * | 10/2007 | Striepe .....    | D24/186 |
| D584,694 S * | 1/2009  | Greitzke .....   | D13/168 |
| D616,098 S   | 5/2010  | Shibata et al.   |         |
| D722,165 S   | 2/2015  | Pukall et al.    |         |
- (Continued)

- FOREIGN PATENT DOCUMENTS
- |    |              |         |
|----|--------------|---------|
| CN | 201430393826 | 10/2014 |
|----|--------------|---------|

*Primary Examiner* — Anhdao Doan  
 (74) *Attorney, Agent, or Firm* — Capitol City TechLaw

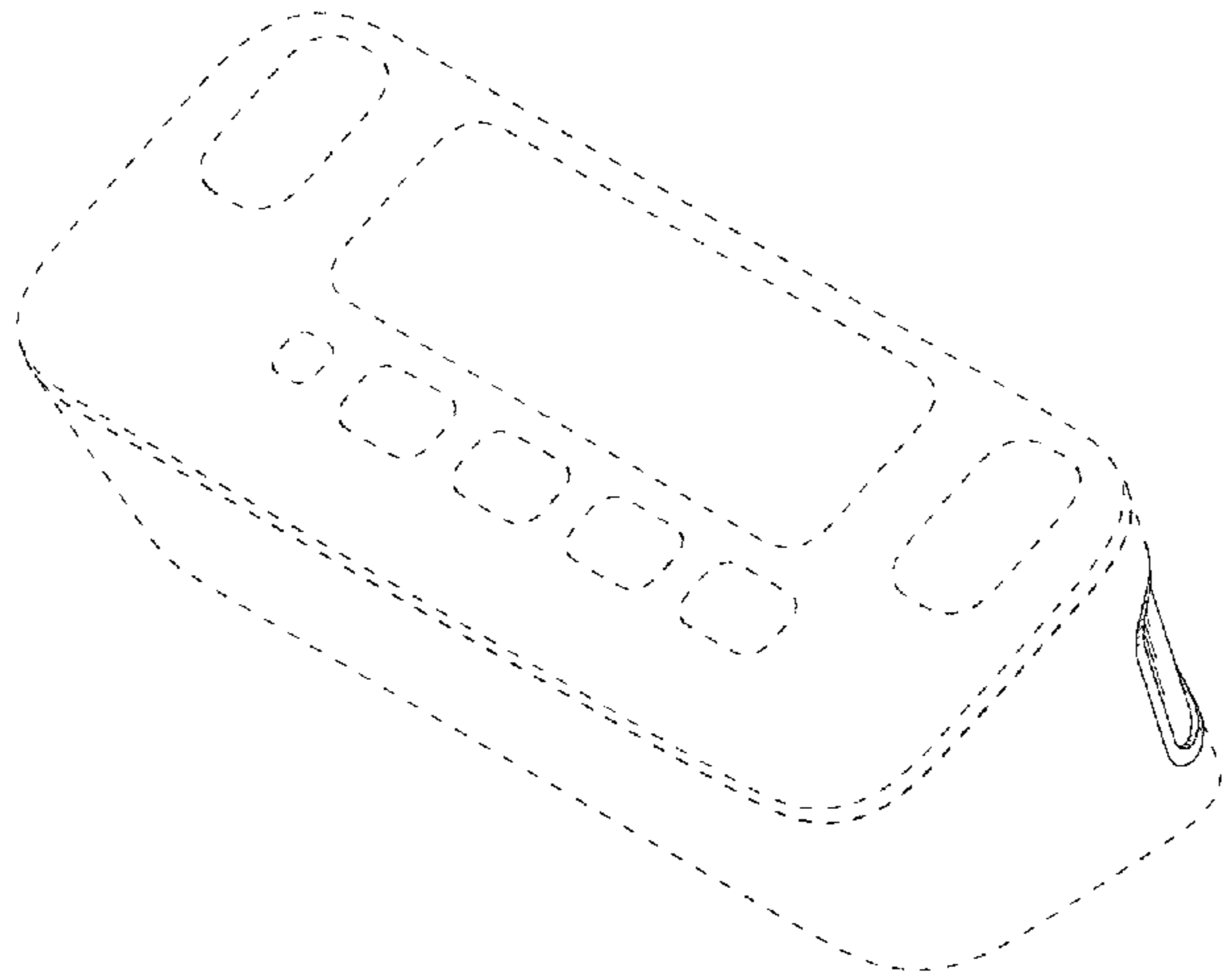
(57) **CLAIM**

The ornamental design for a sphygmomanometer with electrocardiograph, as shown and described.

**DESCRIPTION**

FIG. 1 is a front, top, and right side perspective view of a sphygmomanometer with electrocardiograph showing our new design;  
 FIG. 2 is a rear, top, and left side perspective view thereof;  
 FIG. 3 is a front, bottom, and right side perspective view thereof;  
 FIG. 4 is a rear, bottom, and right side perspective view thereof;  
 FIG. 5 is a front view thereof;  
 FIG. 6 is a rear view thereof;  
 FIG. 7 is a top view thereof;  
 FIG. 8 is a bottom view thereof;  
 FIG. 9 is a right side view thereof; and,  
 FIG. 10 is a left side view thereof.

(Continued)



The broken lines shown in the figures illustrate portions of the sphygmomanometer with electrocardiograph that form no part of the claimed design.

**1 Claim, 10 Drawing Sheets**

(56)

**References Cited**

U.S. PATENT DOCUMENTS

D752,229	S	3/2016	Chen et al.	
D760,903	S	7/2016	Lin et al.	
D871,583	S *	12/2019	Hirasawa .....	D24/165
D899,599	S *	10/2020	Hirasawa .....	D24/165
2002/0019592	A1	2/2002	Mori et al.	
2012/0123281	A1	5/2012	Ashida	
2013/0310659	A1	11/2013	Kawachi et al.	

\* cited by examiner

FIG.1

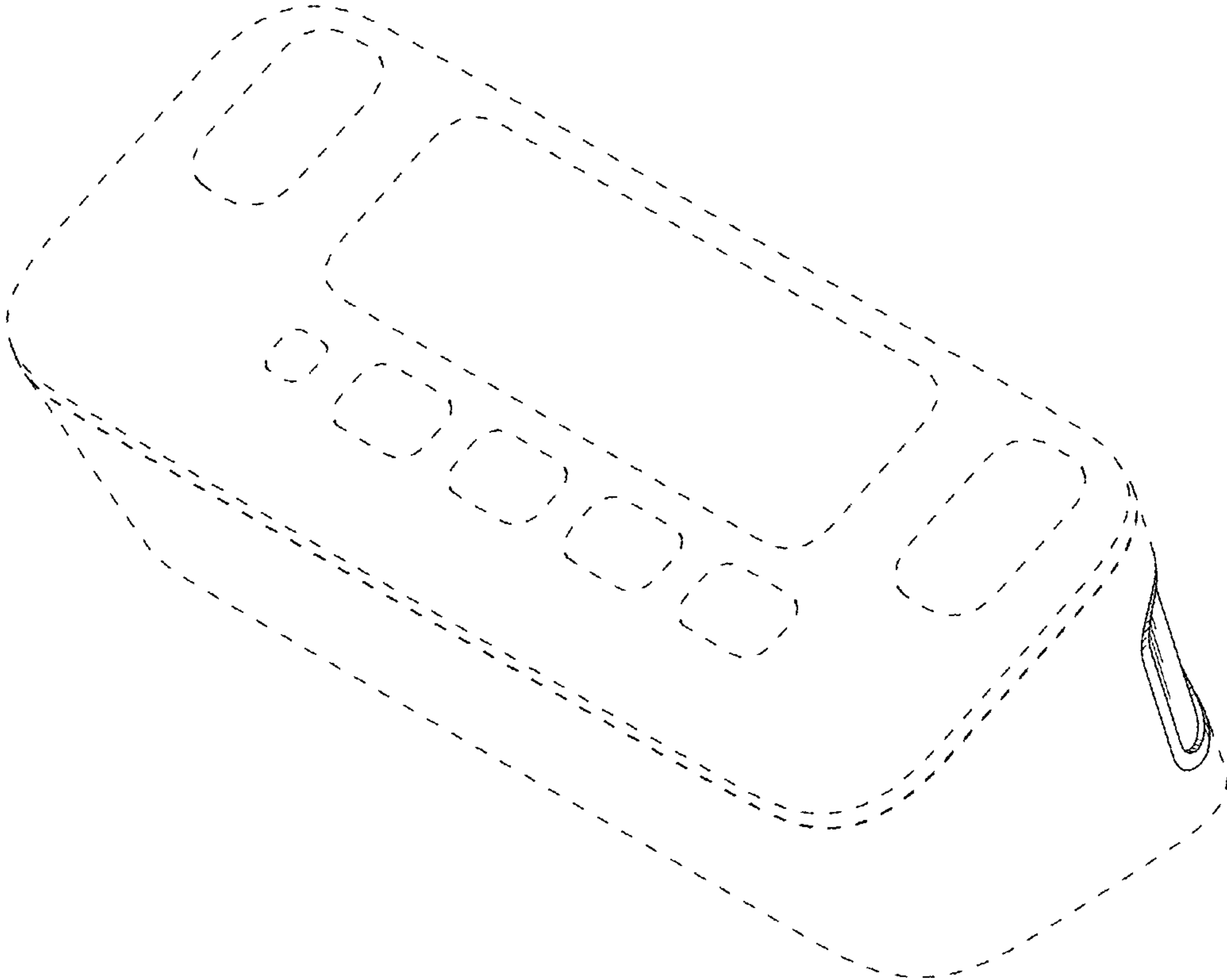


FIG.2

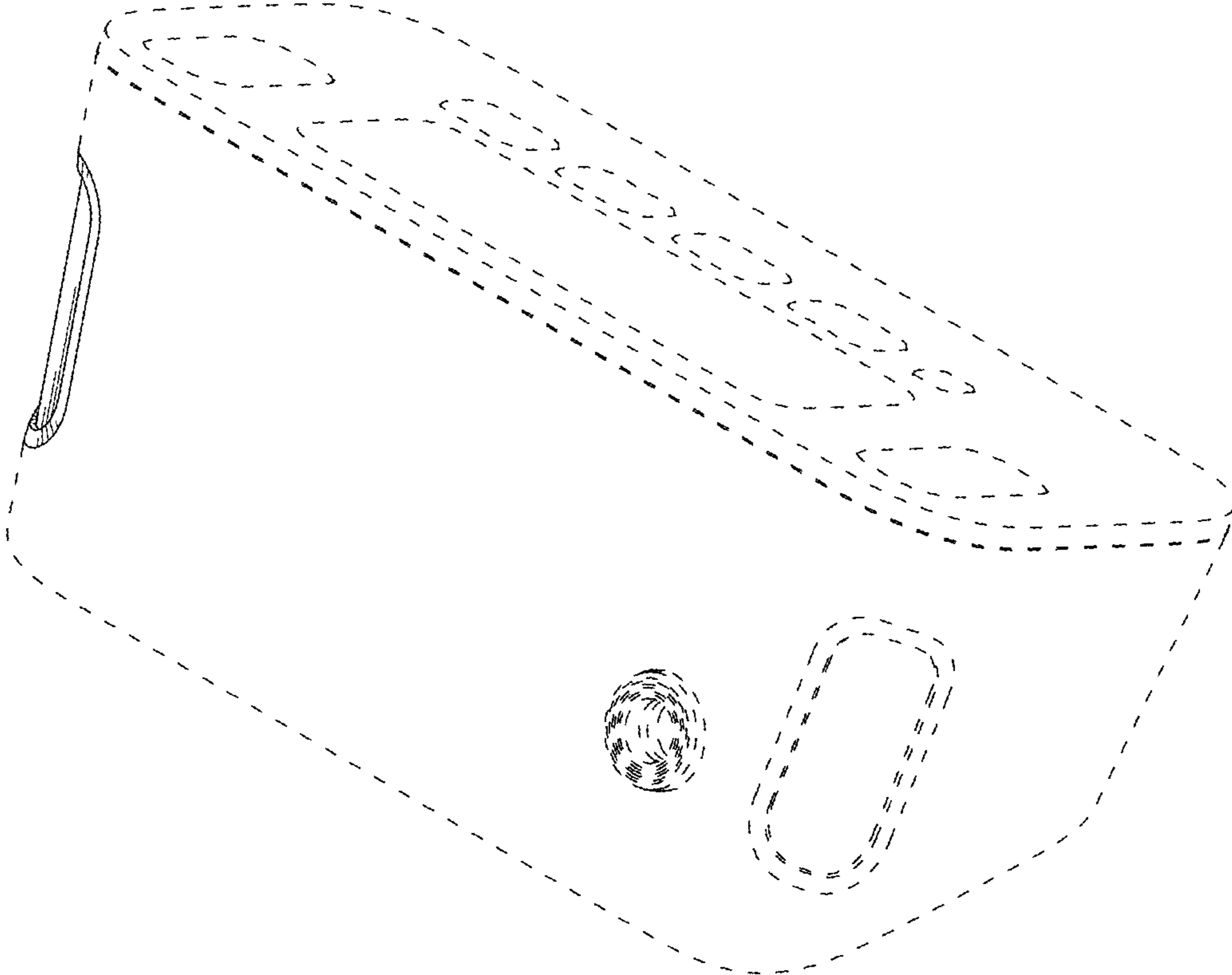


FIG.3

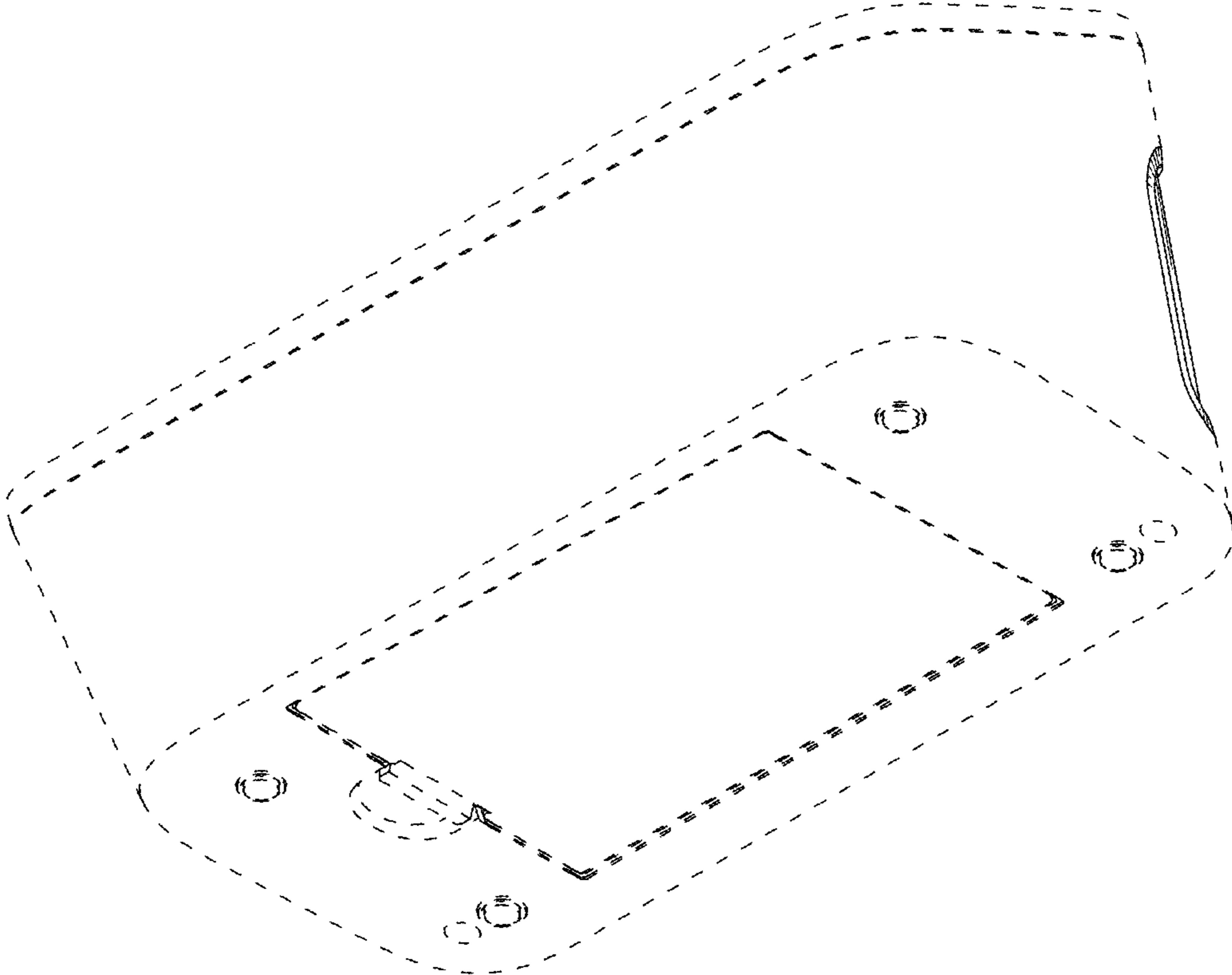


FIG.4

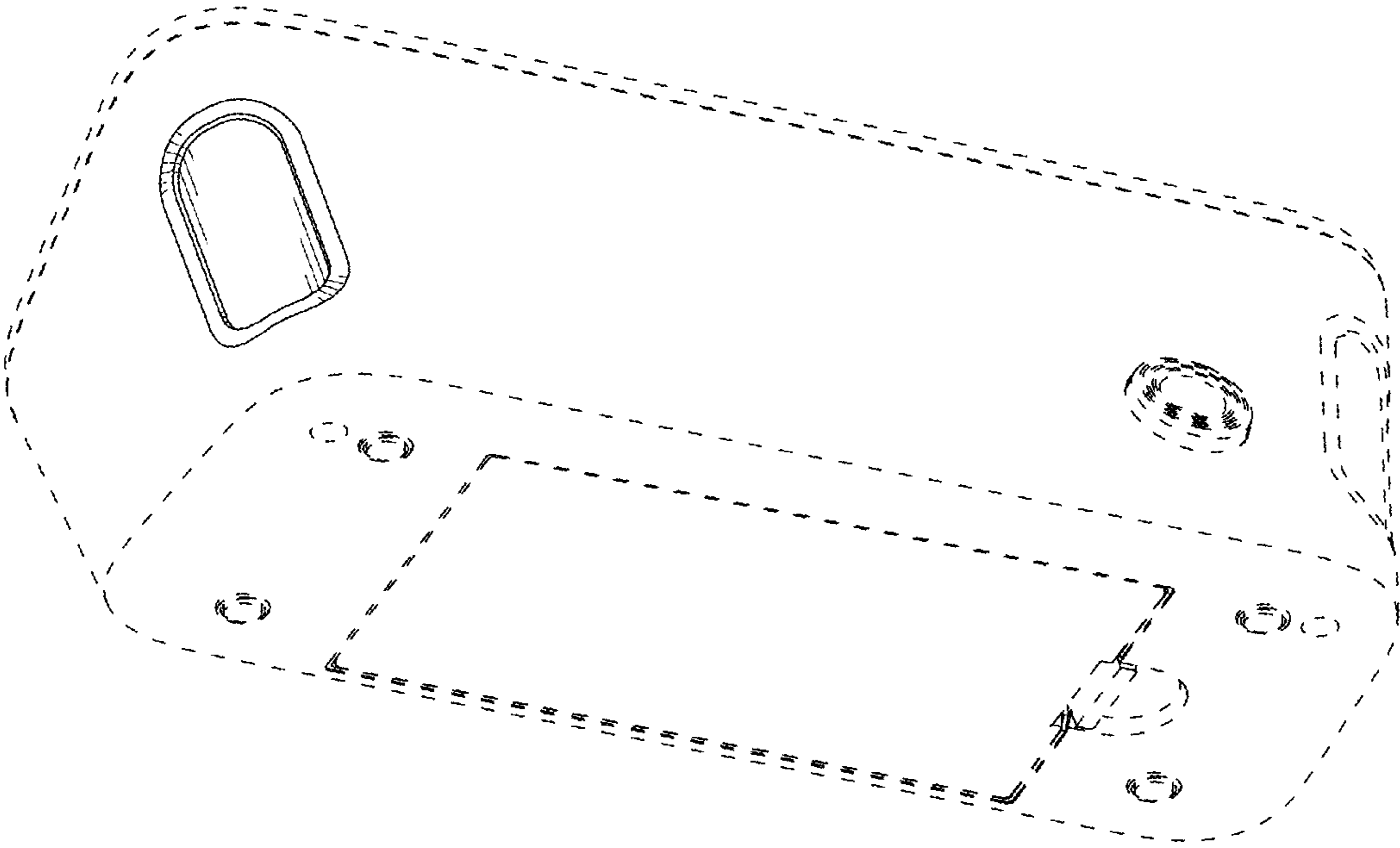


FIG.5

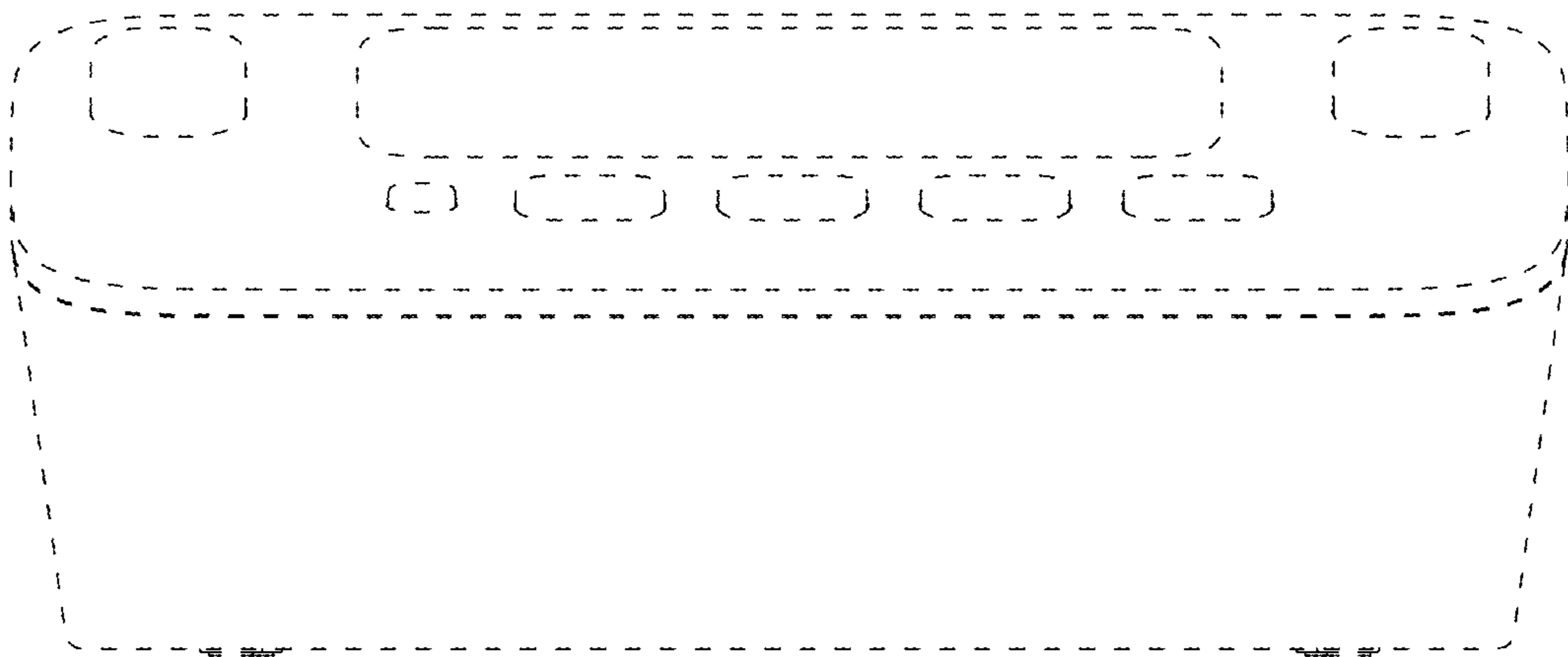


FIG.6

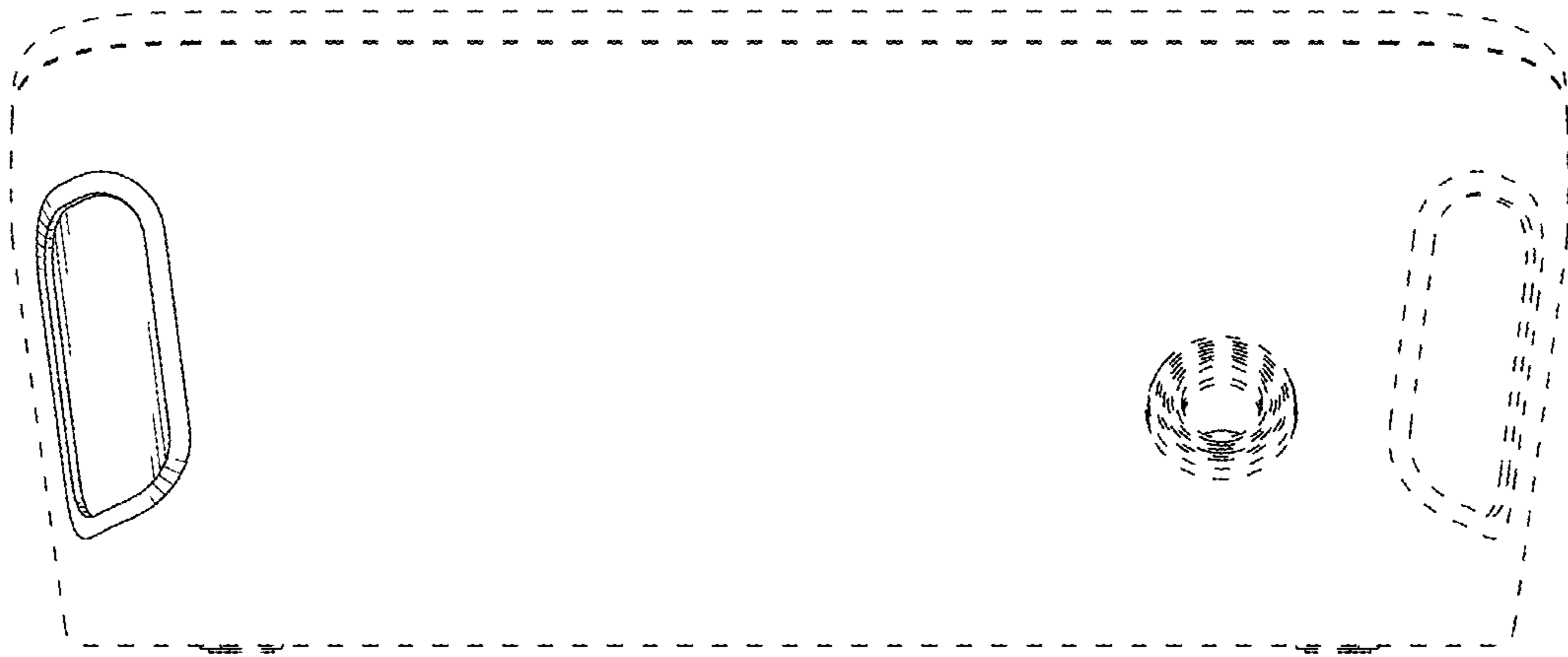




FIG.7

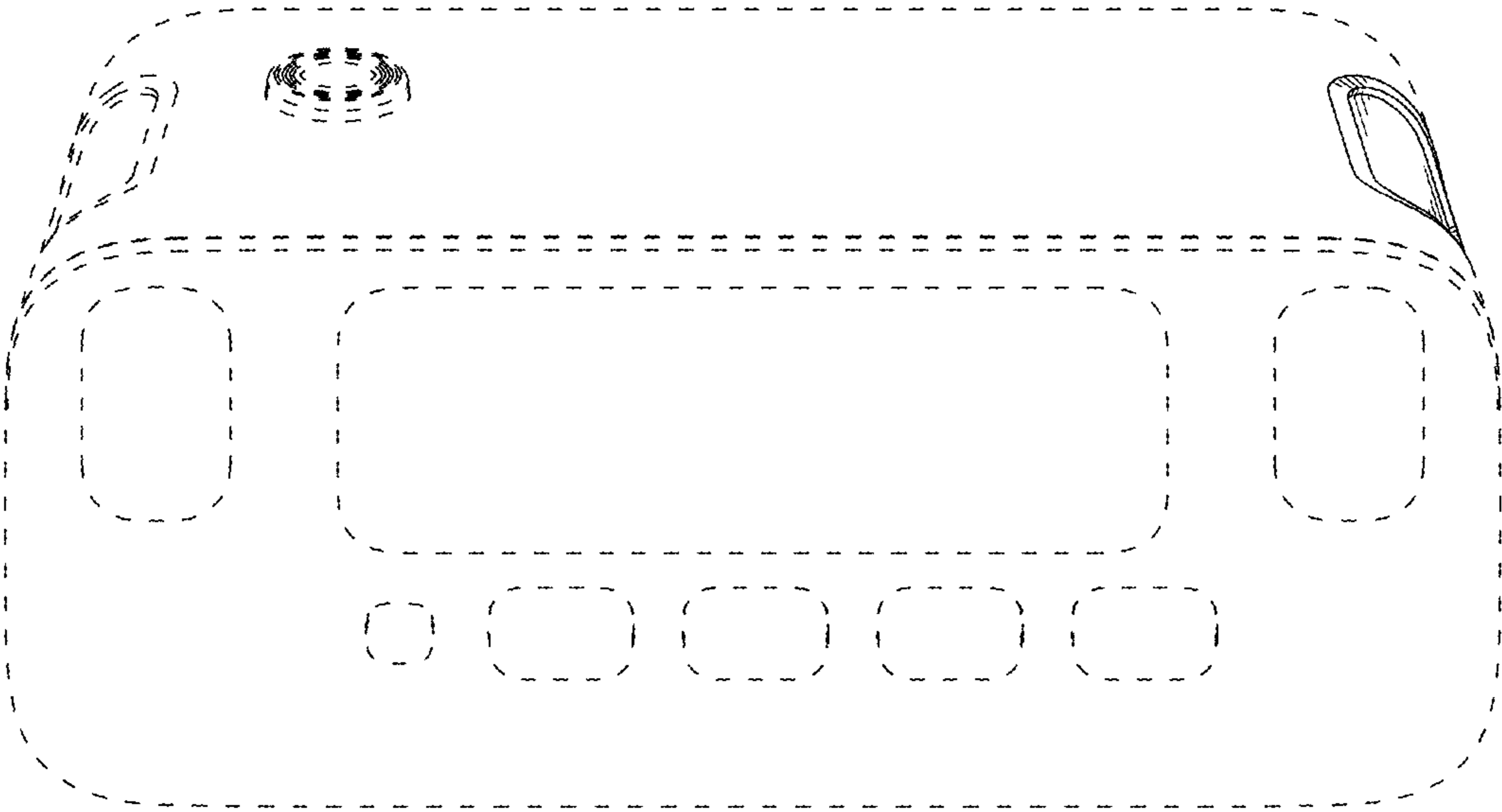


FIG.8

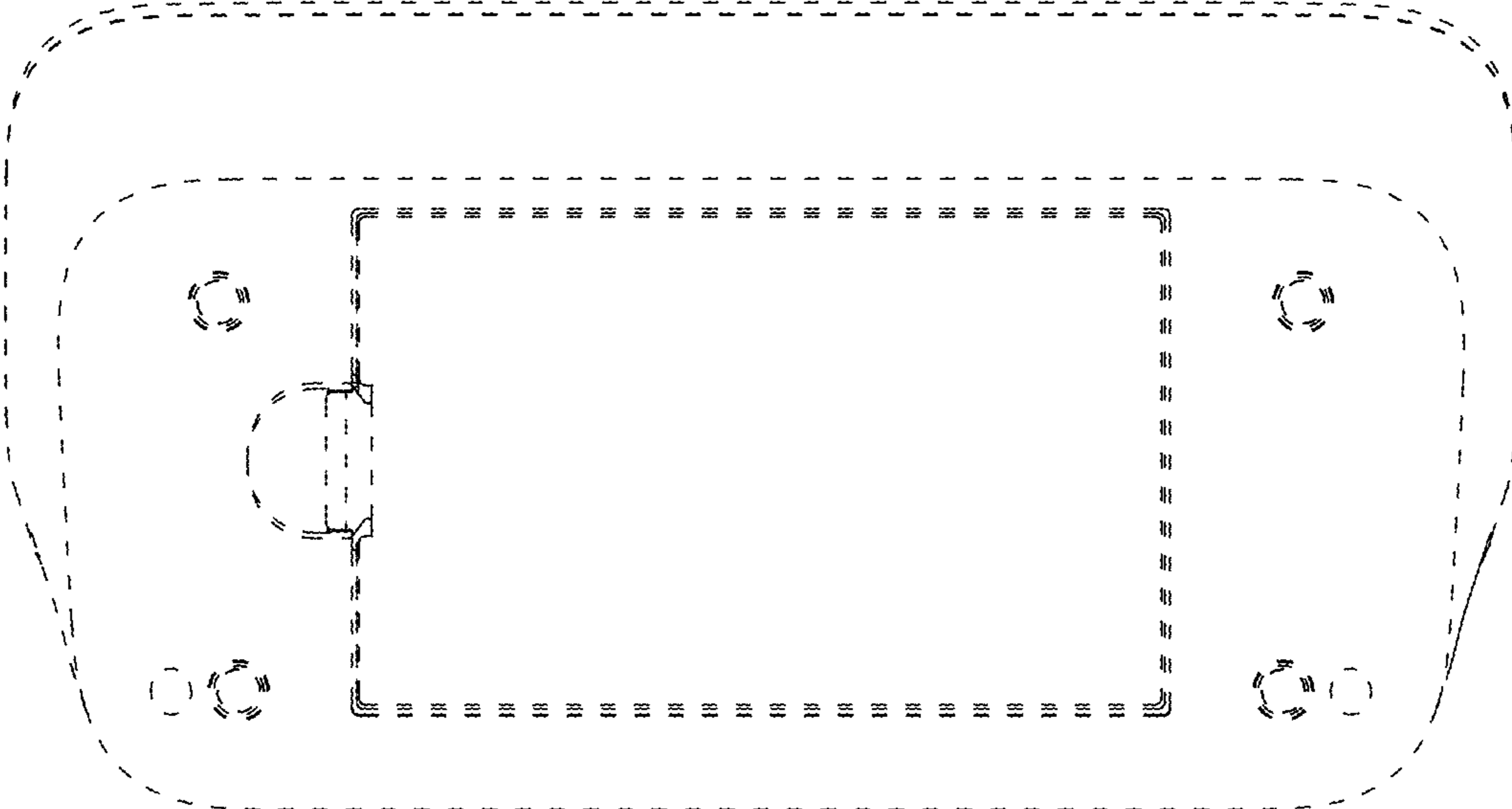


FIG.9

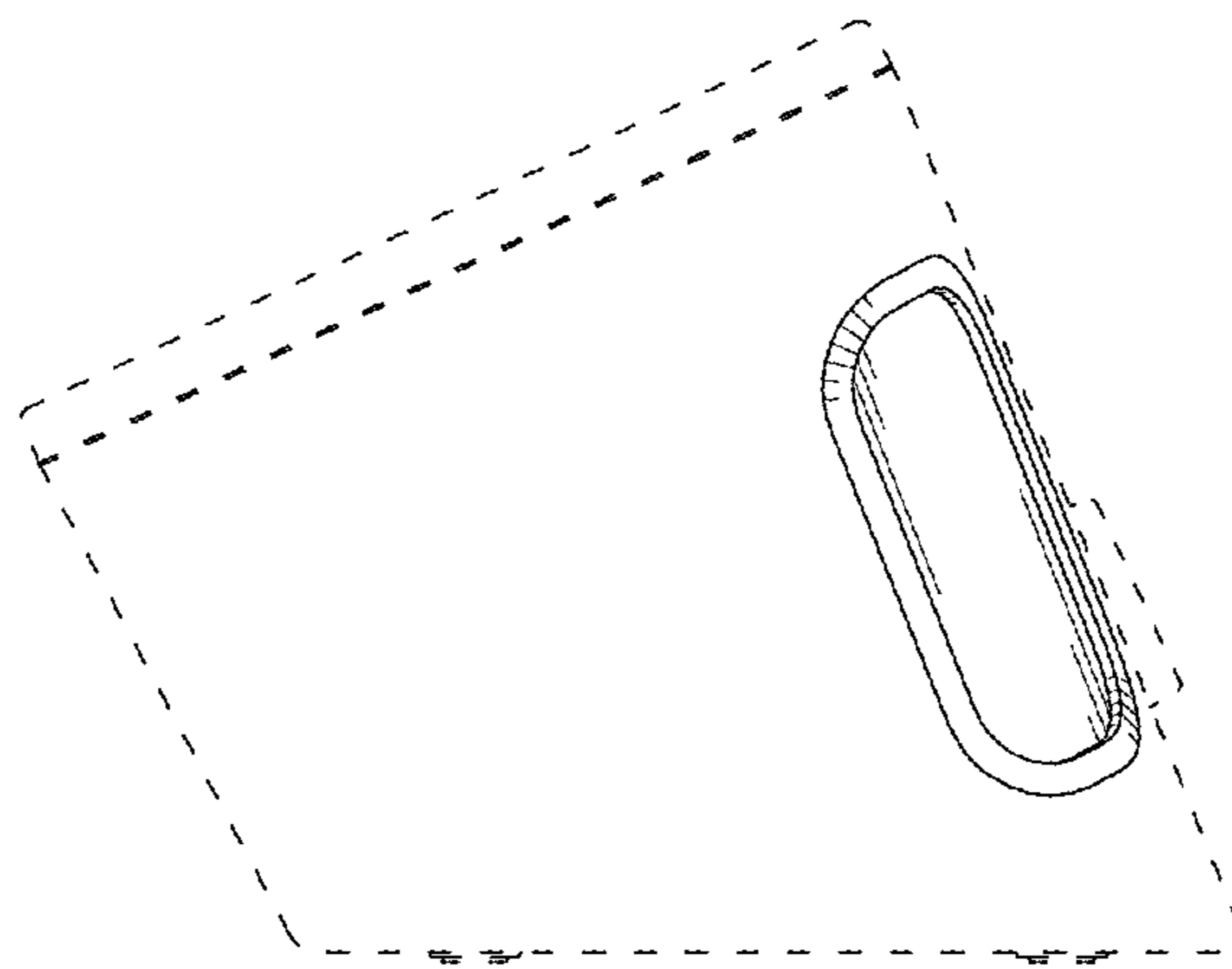


FIG.10

