



US00D923793S

(12) **United States Design Patent**
Pisharodi

(10) **Patent No.:** **US D923,793 S**
(45) **Date of Patent:** **** Jun. 29, 2021**

(54) **INTERVERTEBRAL CAGE**

(71) Applicant: **Madhavan Pisharodi**, Brownsville, TX (US)

(72) Inventor: **Madhavan Pisharodi**, Brownsville, TX (US)

(73) Assignee: **PERUMALA HOLDINGS, LLC**, Brownsville, TX (US)

(**) Term: **15 Years**

(21) Appl. No.: **29/756,883**

(22) Filed: **Oct. 30, 2020**

(51) **LOC (13) Cl.** **24-03**

(52) **U.S. Cl.**
USPC **D24/155**

(58) **Field of Classification Search**
USPC D24/155
CPC A61F 2/4611; A61F 2/442; A61F 2/447;
A61F 2220/0025; A61F 2310/00023;
A61F 2310/00017; A61F 2002/4475;
A61F 2002/30841; A61F 2002/2835;
A61F 2002/30904; A61F 2002/30785;
A61F 2002/443; A61F 2002/30578
See application file for complete search history.

(56) **References Cited**

U.S. PATENT DOCUMENTS

6,174,334 B1 * 1/2001 Suddaby A61F 2/4611
623/17.11
6,332,895 B1 * 12/2001 Suddaby A61F 2/4455
623/17.11

9,949,769 B2 * 4/2018 Serhan A61B 17/7065
2002/0128713 A1 * 9/2002 Ferree A61F 2/4611
623/17.11
2012/0078371 A1 * 3/2012 Gamache A61B 17/0682
623/17.16
2020/0375756 A1 * 12/2020 Chevalier A61B 5/686

* cited by examiner

Primary Examiner — Charles D Hanson
(74) *Attorney, Agent, or Firm* — D'Ambrosio & Menon, PLLC; Usha Menon

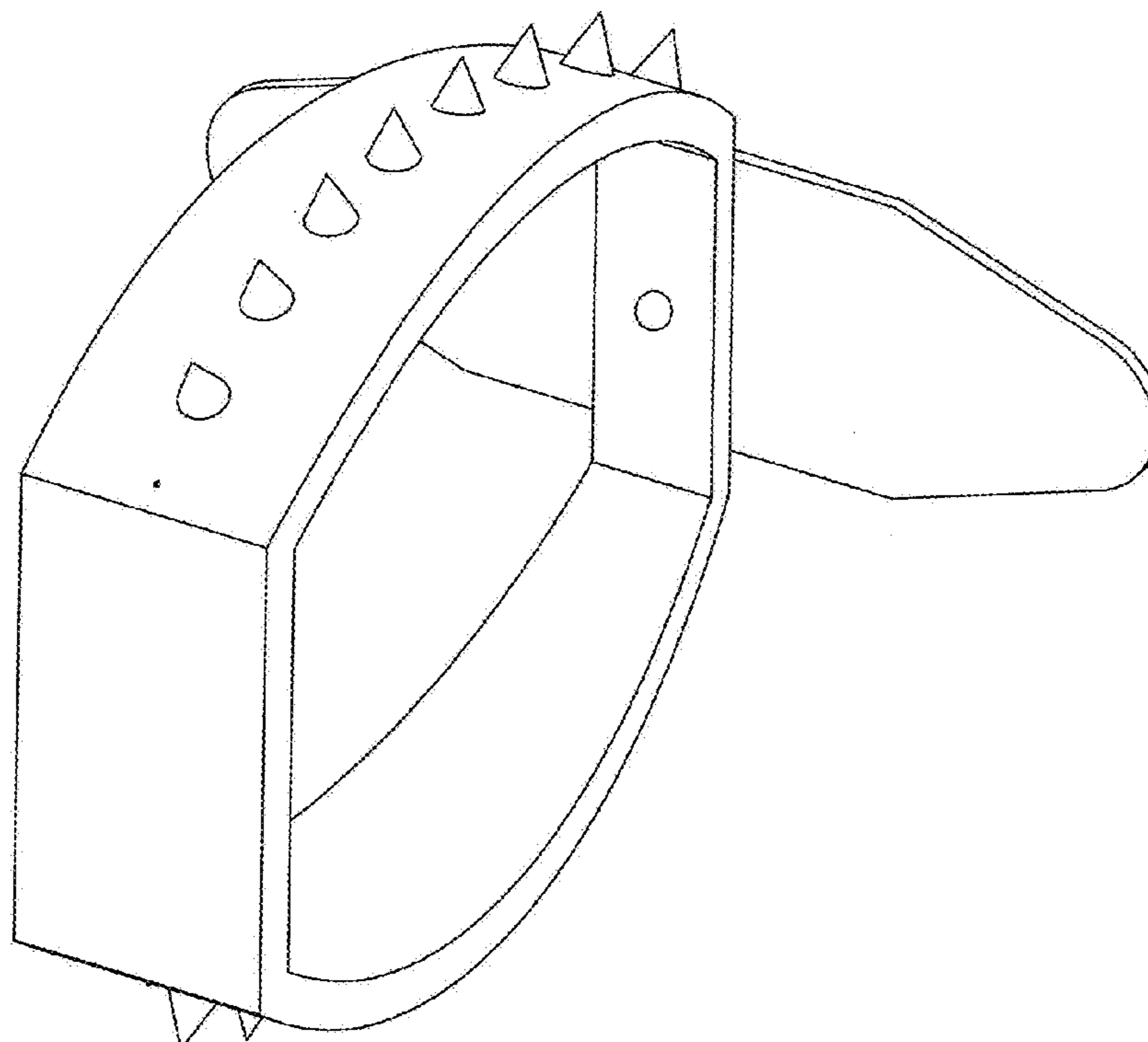
(57) **CLAIM**

The ornamental design for an intervertebral cage, as shown and described.

DESCRIPTION

FIG. 1 is a top view of an intervertebral cage, showing my new design;
FIG. 2 is another top view thereof;
FIG. 3 is a front view thereof;
FIG. 4 is another front view thereof;
FIG. 5 is a rear view thereof;
FIG. 6 is another rear view thereof;
FIG. 7 is a side view thereof;
FIG. 8 is another side view thereof;
FIG. 9 is an isometric view thereof; and,
FIG. 10 is another isometric view thereof.
The broken line showing of human vertebrae is directed to environment and is for illustrative purposes only; the broken lines form no part of the claimed design.

1 Claim, 10 Drawing Sheets



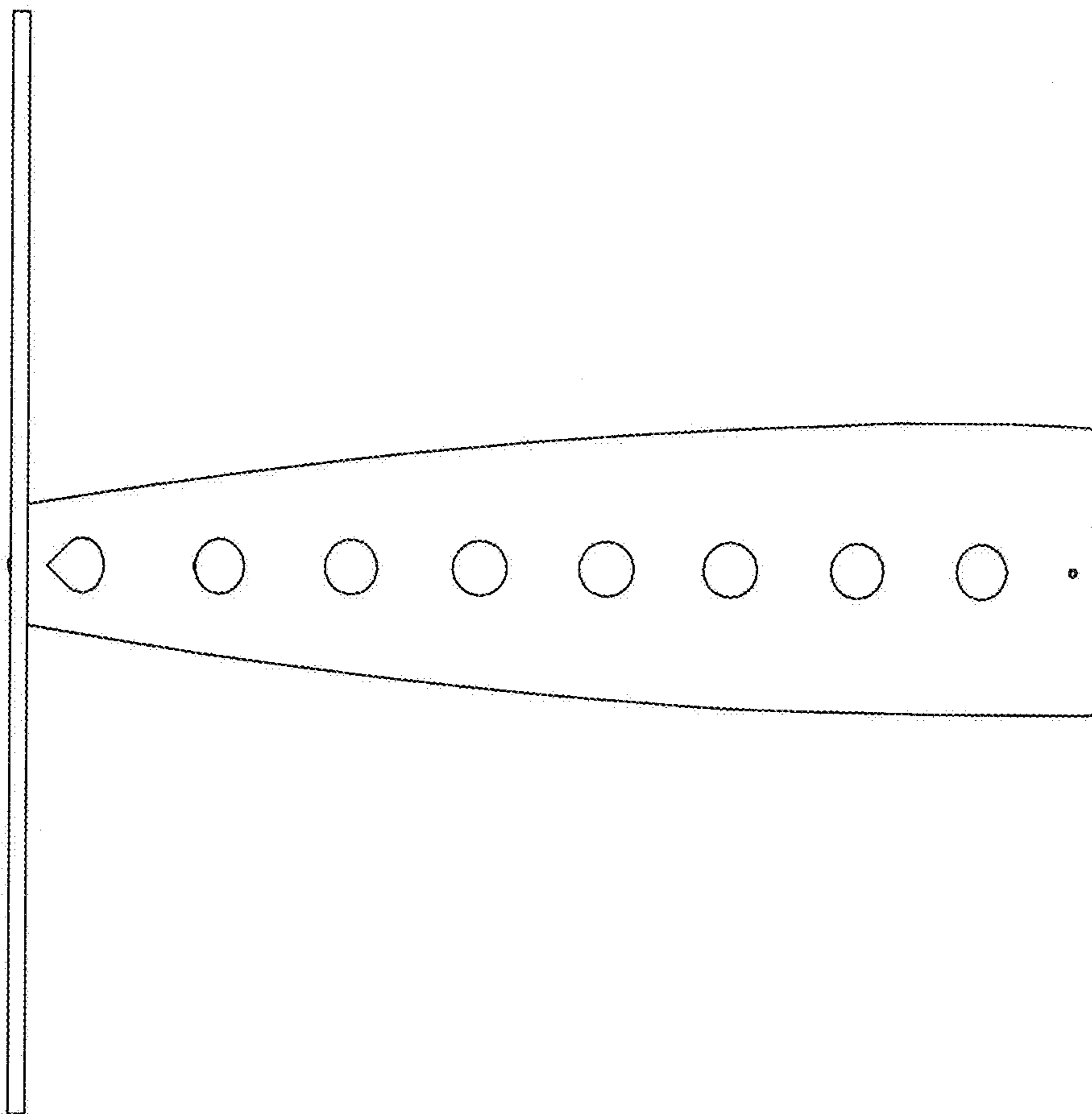


FIGURE. 1

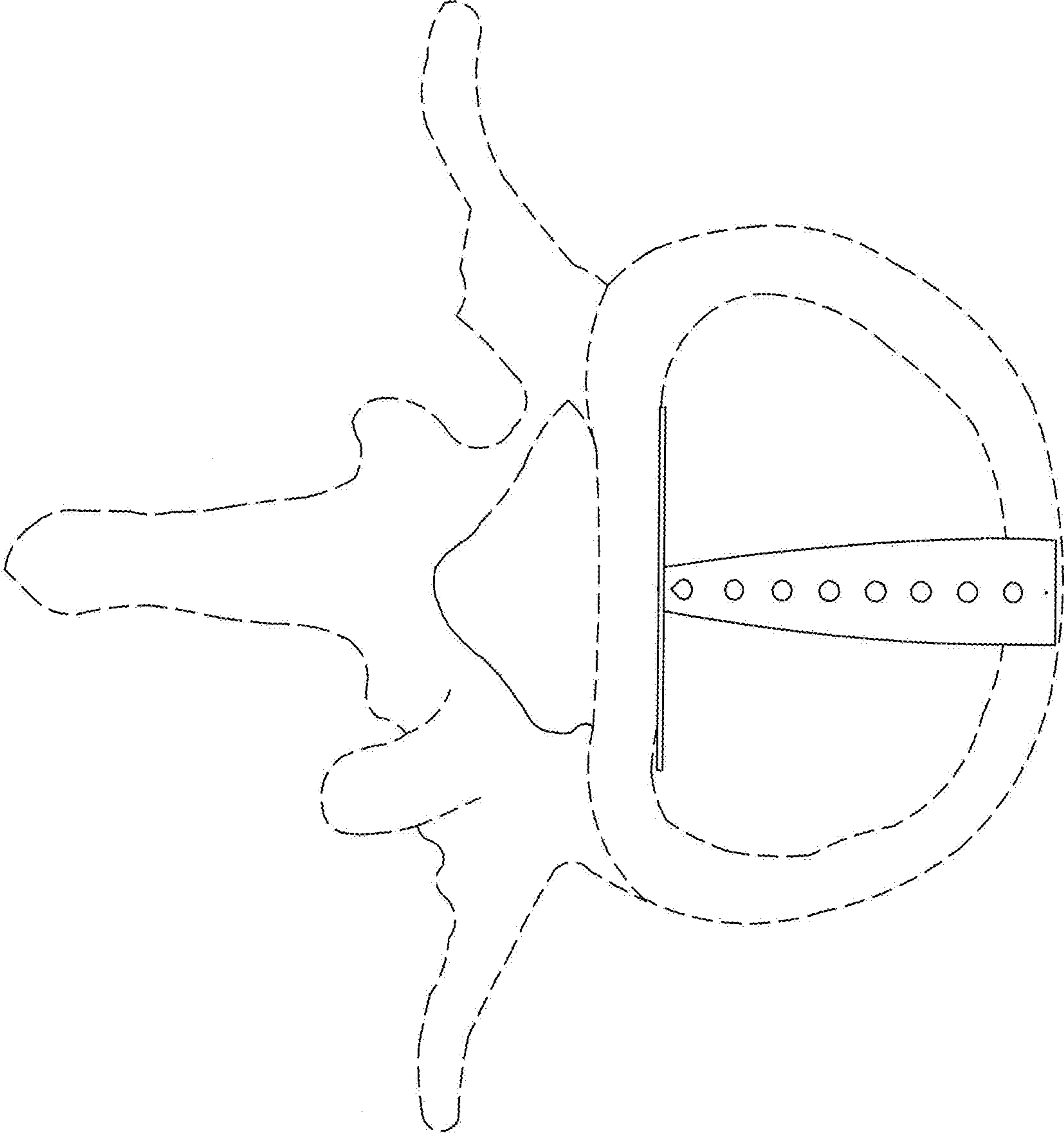


FIGURE. 2

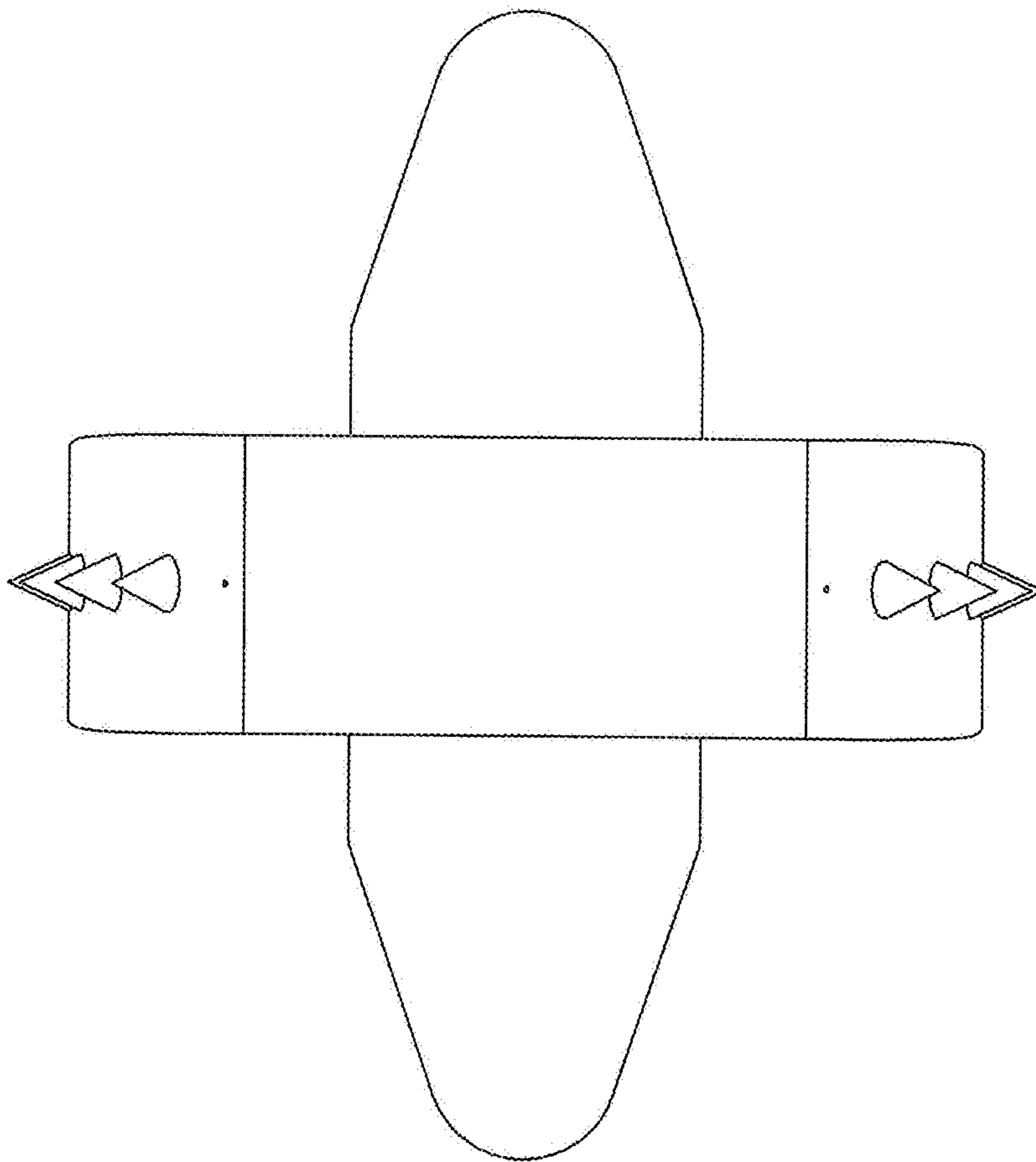


FIGURE. 3

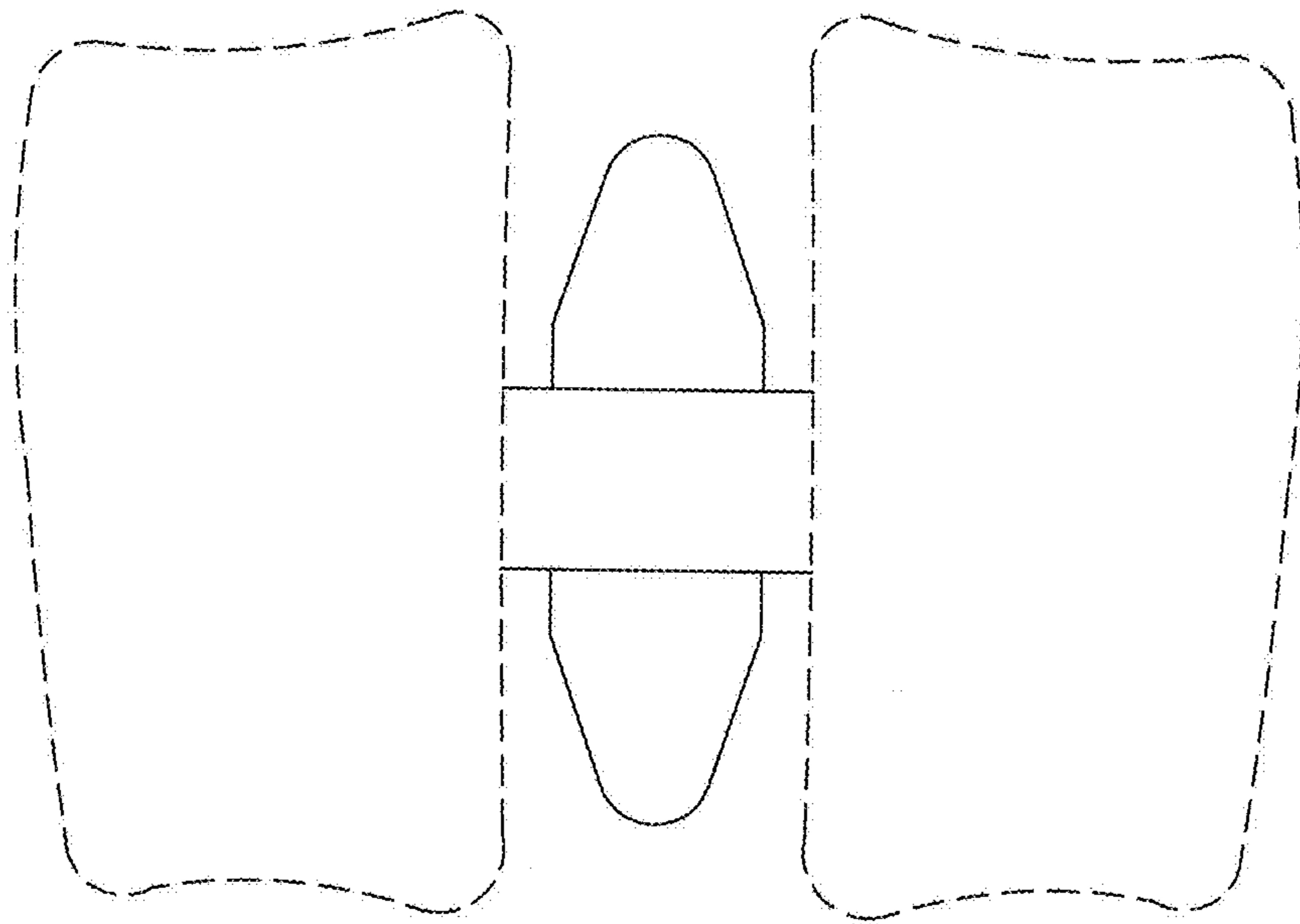


FIGURE. 4

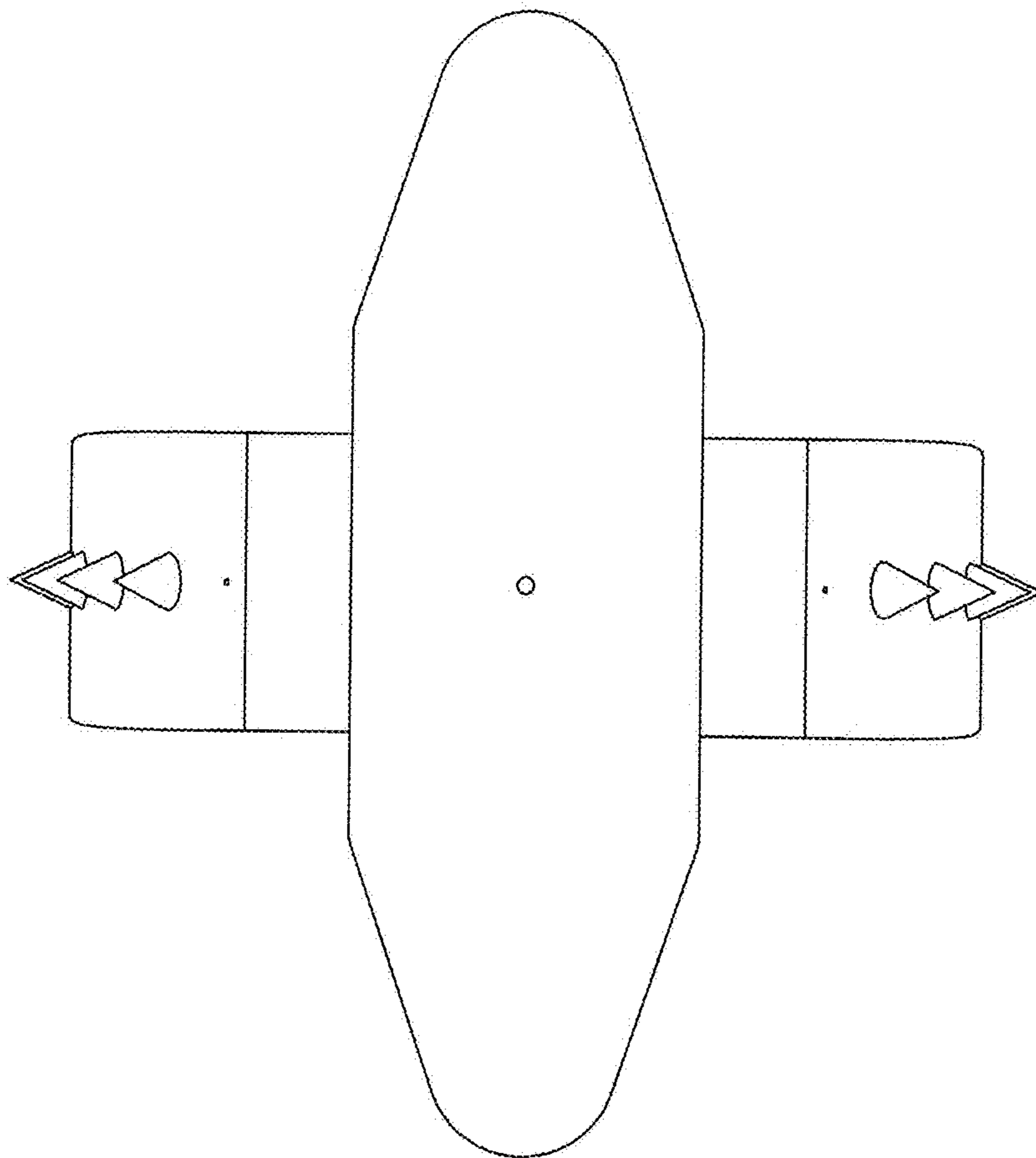


FIGURE. 5

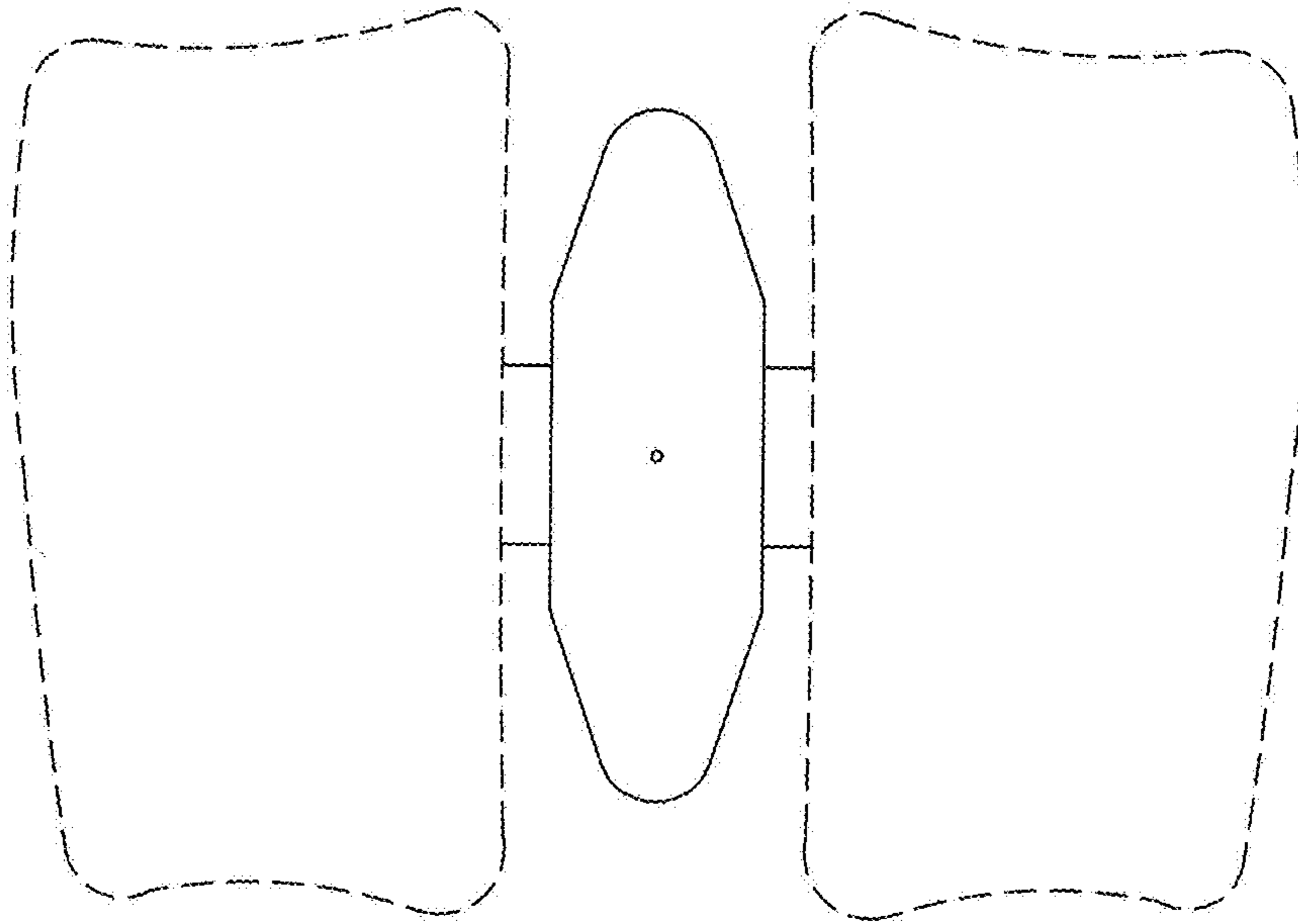


FIGURE. 6

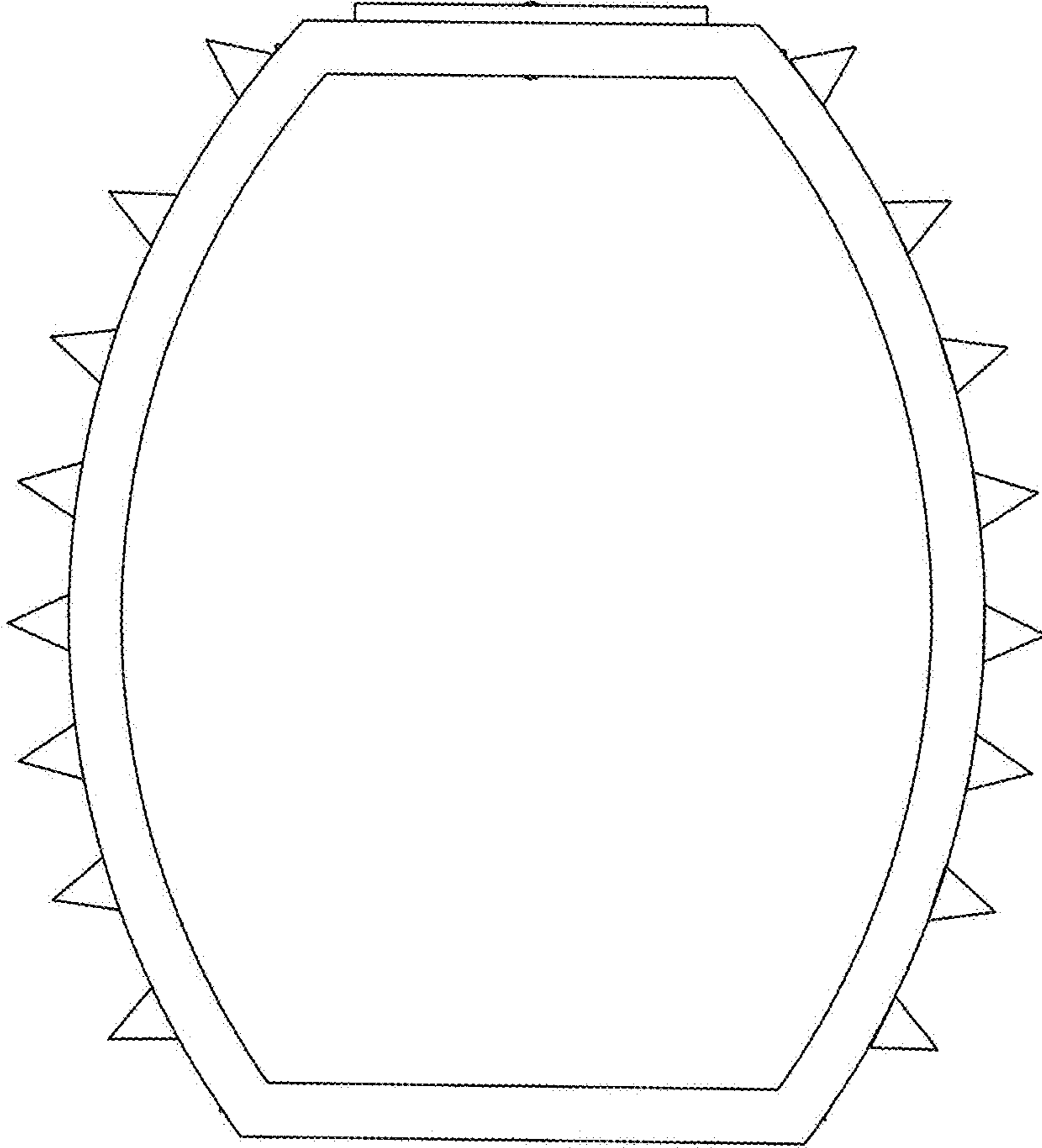


FIGURE. 7

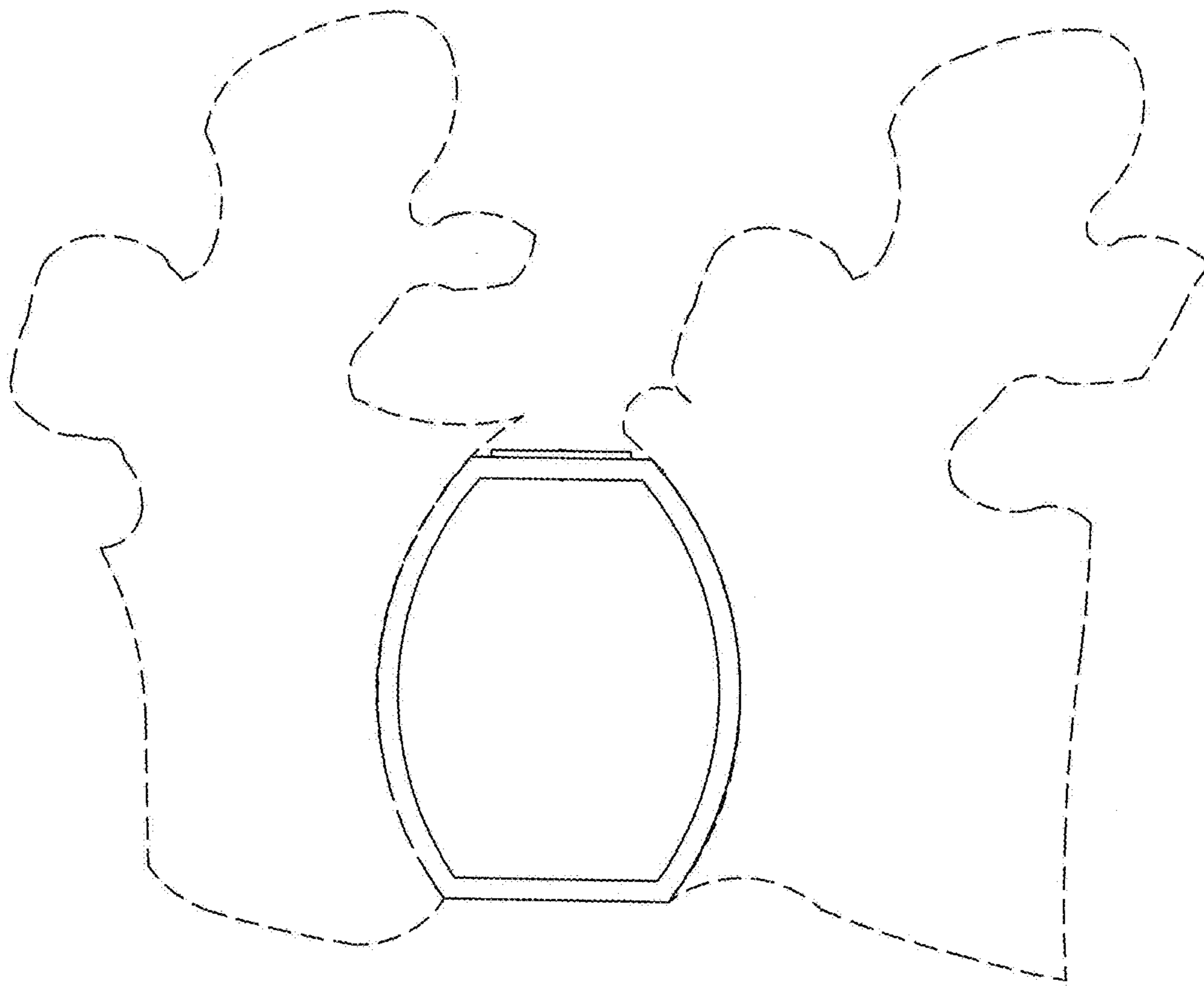


FIGURE. 8

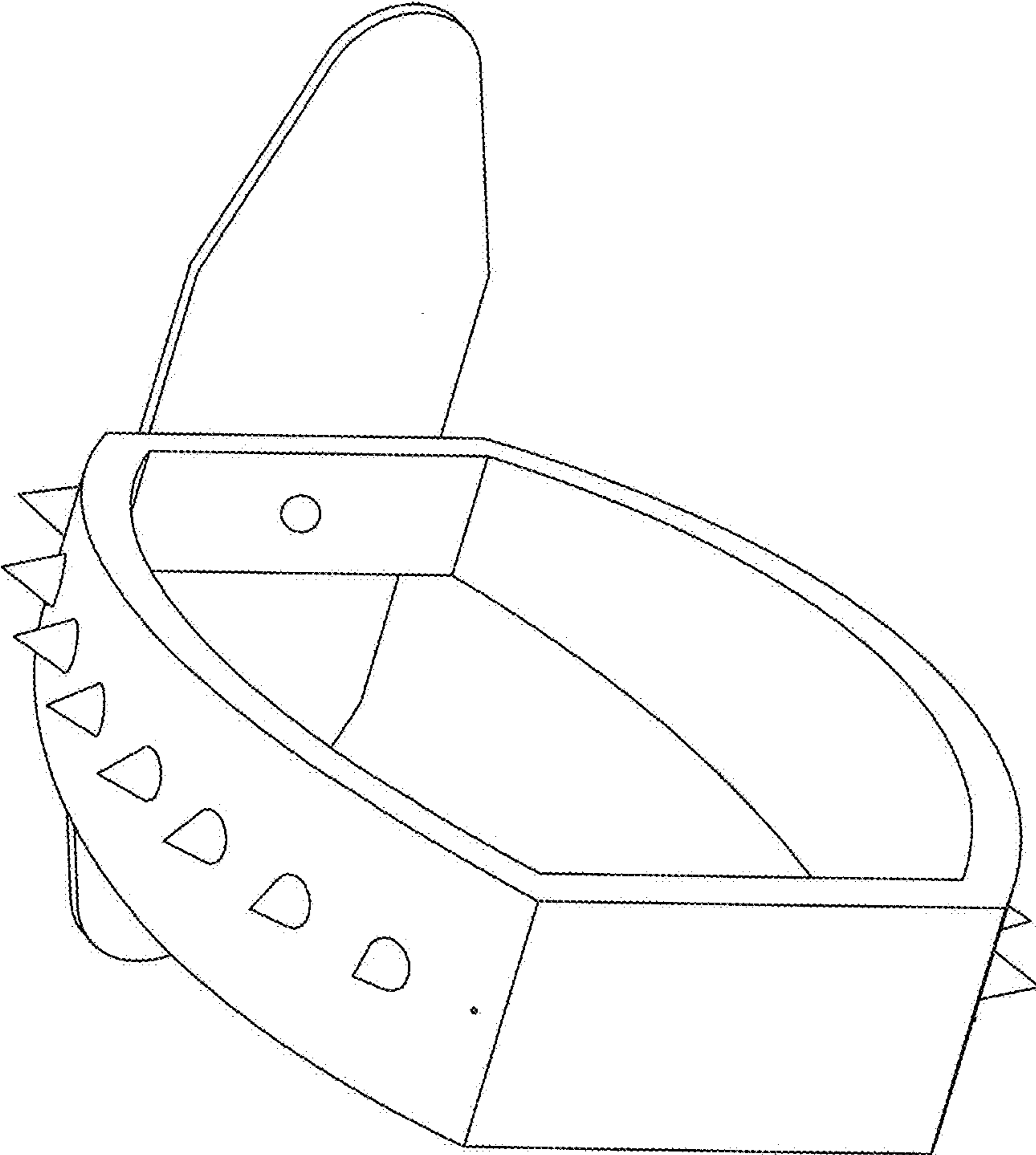


FIGURE. 9

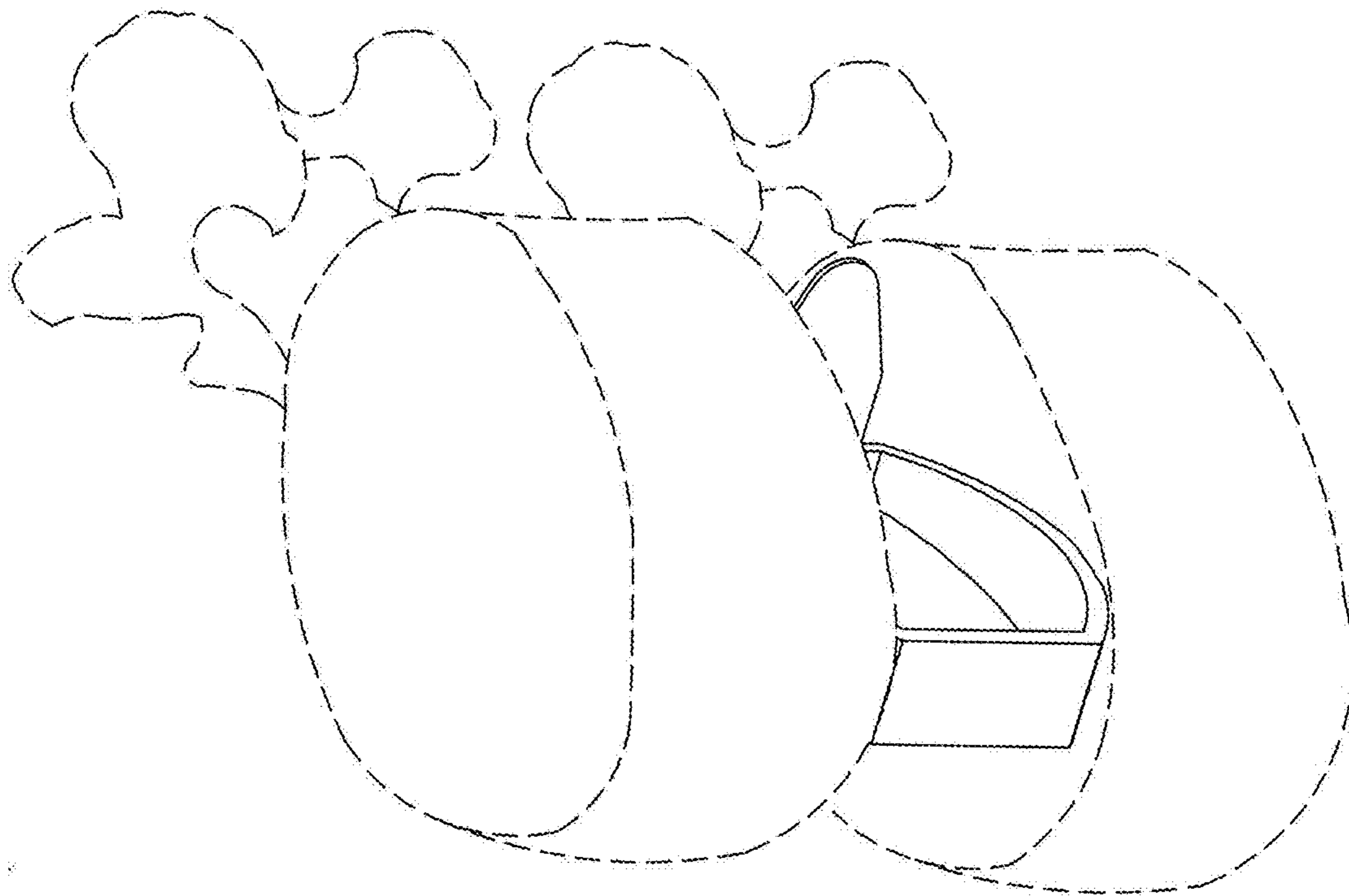


FIGURE. 10