



US00D923788S

(12) **United States Design Patent**
Sweitzer et al.

(10) **Patent No.:** **US D923,788 S**
(45) **Date of Patent:** **** Jun. 29, 2021**

(54) **CONNECTION HUB FOR A SURGICAL INSTRUMENT**

(71) Applicant: **Shukla Medical**, St. Petersburg, FL (US)

(72) Inventors: **Zachary Robert Sweitzer**, Keyport, NJ (US); **Lindsey Anne Charbonneau**, Bay City, MI (US)

(73) Assignee: **Shukla Medical**, St. Petersburg, FL (US)

(**) Term: **15 Years**

(21) Appl. No.: **29/711,485**

(22) Filed: **Oct. 31, 2019**

(51) **LOC (13) Cl.** **24-02**

(52) **U.S. Cl.**
USPC **D24/146; D24/147**

(58) **Field of Classification Search**
USPC D24/146, 147, 127-131, 112-114, 133, D24/186, 118; 606/181, 185; 604/264, 604/523-528, 272, 187, 158, 604/164.01-164.11, 181, 184, 227
CPC A61B 17/144; A61B 17/14; B23D 51/10; B23D 51/00; Y10T 279/17504
See application file for complete search history.

(56) **References Cited**

U.S. PATENT DOCUMENTS

D297,046 S * 8/1988 Dignam D24/112
D297,365 S * 8/1988 Barnett D24/114

D320,082 S * 9/1991 Wyatt D24/129
D339,417 S * 9/1993 Sampson D24/129
D583,929 S * 12/2008 Reusch D24/108
D602,128 S * 10/2009 Williams D23/262
D851,240 S * 6/2019 Baid A61M 5/165
D867,880 S * 11/2019 Sacchetti D9/440
D876,229 S * 2/2020 Sacchetti D9/440
D879,289 S * 3/2020 Fineout D24/129
D879,952 S * 3/2020 Schneider D24/112
D890,925 S * 7/2020 Doubet D24/129
D901,682 S * 11/2020 Vuillemin D24/133

* cited by examiner

Primary Examiner — Nathan M Johnston

(74) *Attorney, Agent, or Firm* — Kim Intellectual Property Law Group LLC

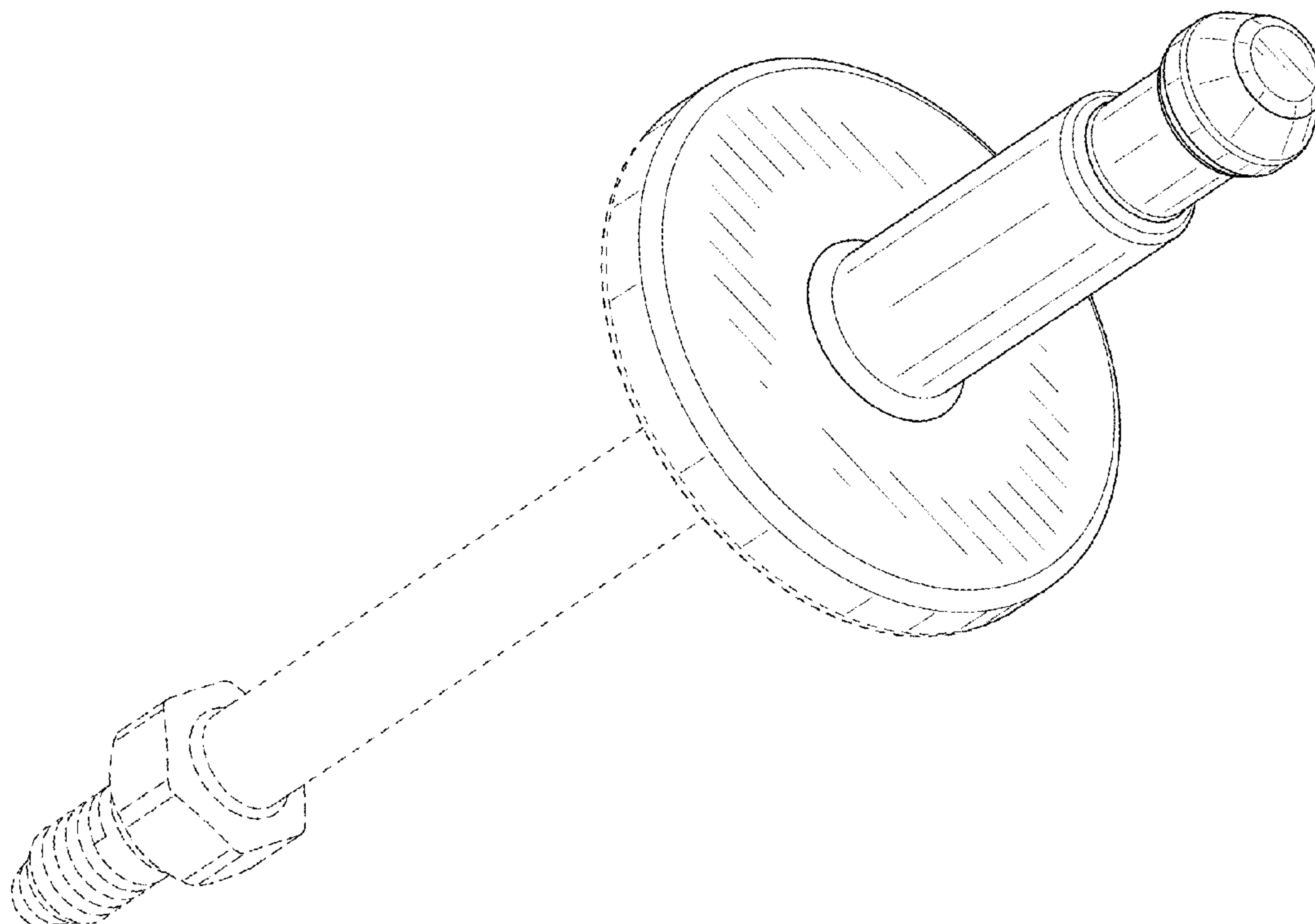
(57) **CLAIM**

The ornamental design for a connection hub for a surgical instrument, as shown and described.

DESCRIPTION

FIG. 1 is a bottom perspective view of a connection hub for a surgical instrument in accordance with the new design; FIG. 2 is a top perspective view of the connection hub of FIG. 1; FIG. 3 is a front view of the connection hub of FIG. 1, the rear, left side, and right side being mirror images; and, FIG. 4 is a top plan view of the connection hub of FIG. 1. The broken lines in the figures are directed to portions of the connection hub for a surgical instrument that form no part of the claim.

1 Claim, 4 Drawing Sheets



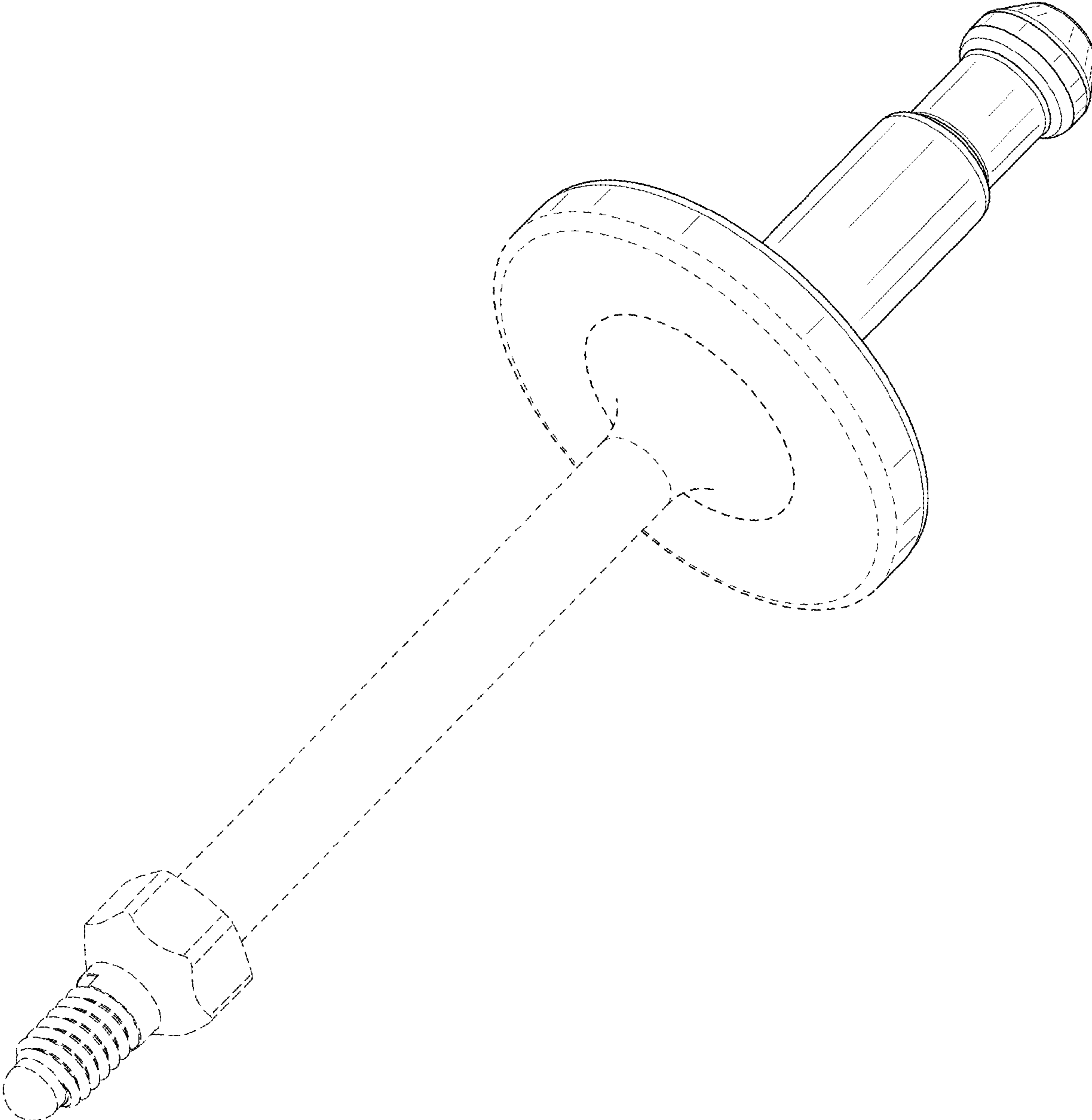


FIG. 1

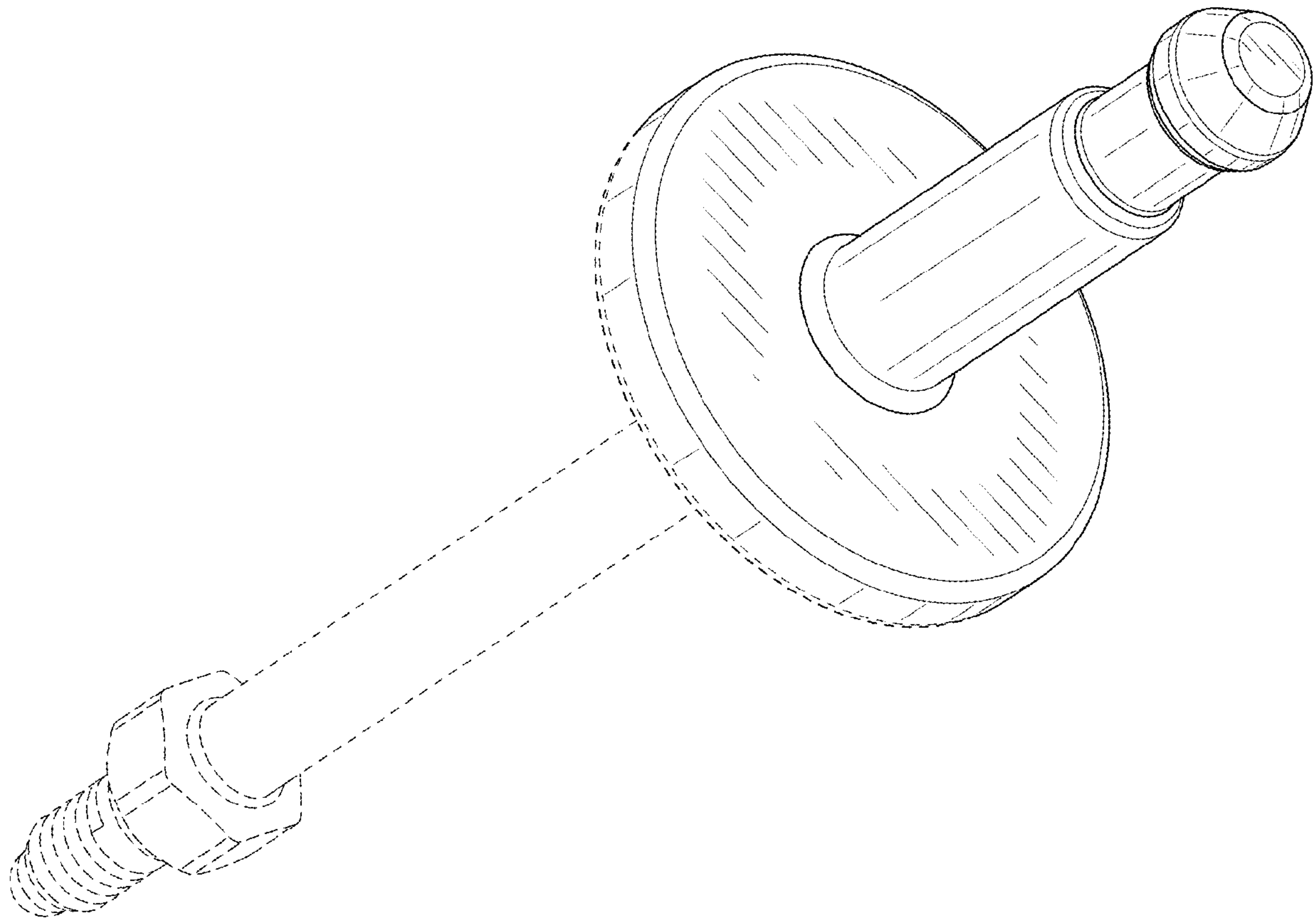


FIG. 2

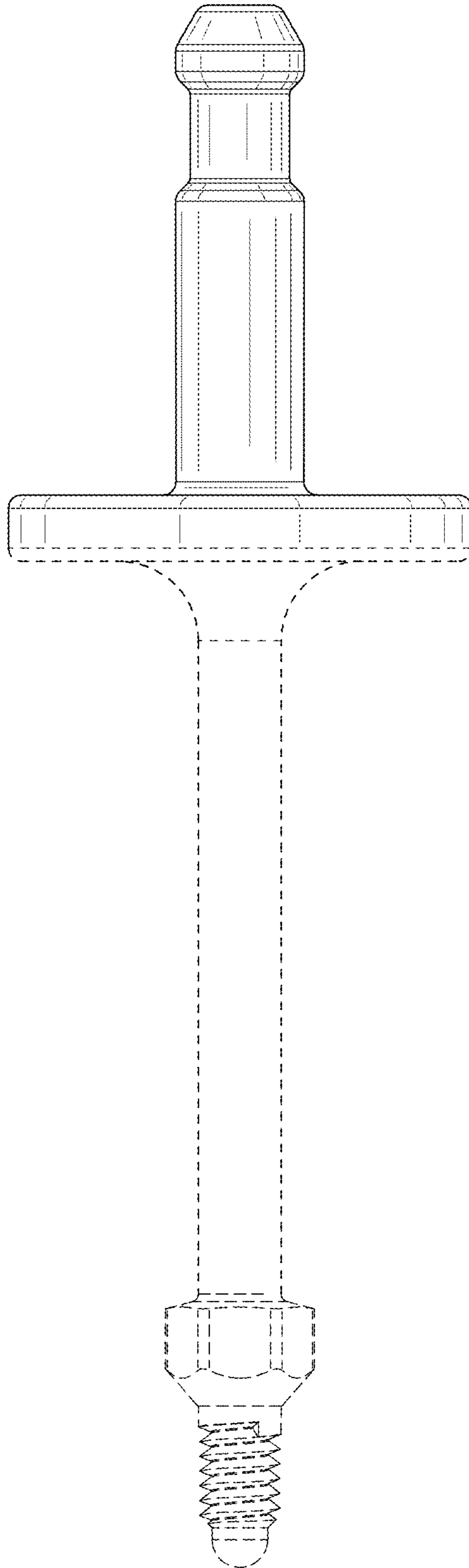


FIG. 3

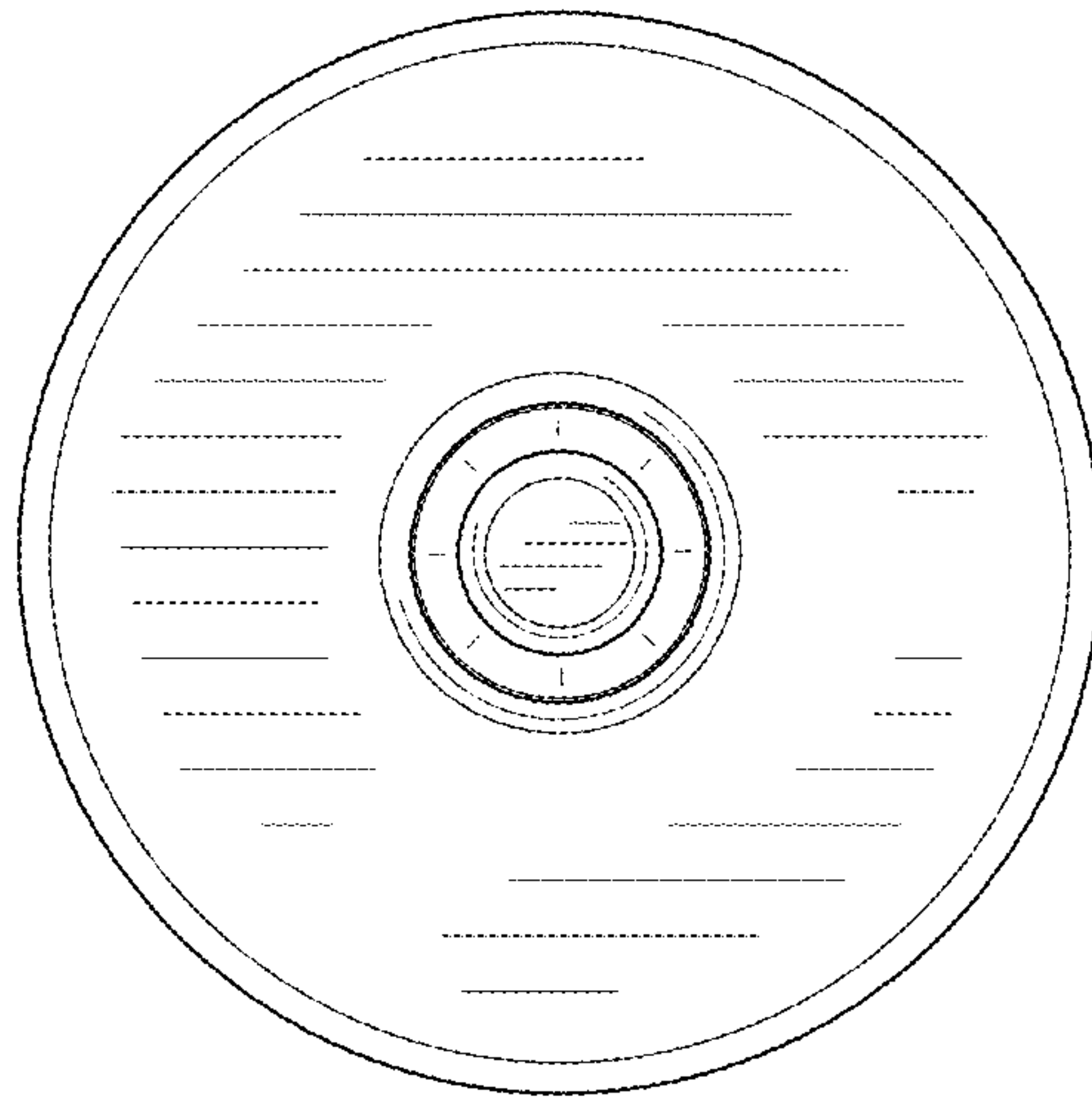


FIG. 4