



US00D923787S

(12) **United States Design Patent**
Tsukayama

(10) **Patent No.:** **US D923,787 S**
(45) **Date of Patent:** **** Jun. 29, 2021**

(54) **MEDICAL TWEEZERS**
(71) Applicant: **Asahiko Tsukayama**, Kobe (JP)
(72) Inventor: **Asahiko Tsukayama**, Kobe (JP)
(**) Term: **15 Years**

D825,058 S * 8/2018 Pfeffer D24/143
D828,629 S * 9/2018 Hussain D28/55
D844,900 S * 4/2019 Zadro D28/55
D871,673 S * 12/2019 Qureshi D28/55
D892,325 S * 8/2020 Abbott D24/143

(21) Appl. No.: **35/507,826**
(22) Filed: **Feb. 19, 2019**

FOREIGN PATENT DOCUMENTS

JP D168171 8/1961
JP 55-103160 7/1980
JP 63-074115 5/1988
JP D1468656 4/2016
JP D1469051 4/2016
KR 30-0499067 7/2008
KR 30-0615091 10/2011

(80) **Hague Agreement Data**

Int. Filing Date: **Feb. 19, 2019**
Int. Reg. No.: **DM/204107**
Int. Reg. Date: **Feb. 19, 2019**
Int. Reg. Pub. Date: **Nov. 22, 2019**

* cited by examiner

Primary Examiner — Samantha Q Lawrence
(74) *Attorney, Agent, or Firm* — Smith, Gambrell & Russell, LLP.

(51) **LOC (13) Cl.** **24-02**

(52) **U.S. Cl.**
USPC **D24/143**

(57) **CLAIM**

The ornamental design for medical tweezers, as shown and described.

(58) **Field of Classification Search**
USPC D24/143, 147; D28/55, 9, 56, 57;
D7/686

DESCRIPTION

CPC A45D 26/0066; A45D 26/0071; A45D
29/02; A45D 26/0076; B25B 9/02; A61B
17/30; A61B 17/50; G04D 1/02
See application file for complete search history.

1.-2. Medical tweezers
Figure 1.1 is a top view of a medical tweezers;
Figure 1.2 is a front view thereof;
Figure 1.3 is a bottom view thereof;
Figure 1.4 is a right view thereof;
Figure 1.5 is a left view thereof; and
Figure 1.6 is an enlarged perspective view of a portion of the
medical tweezers.

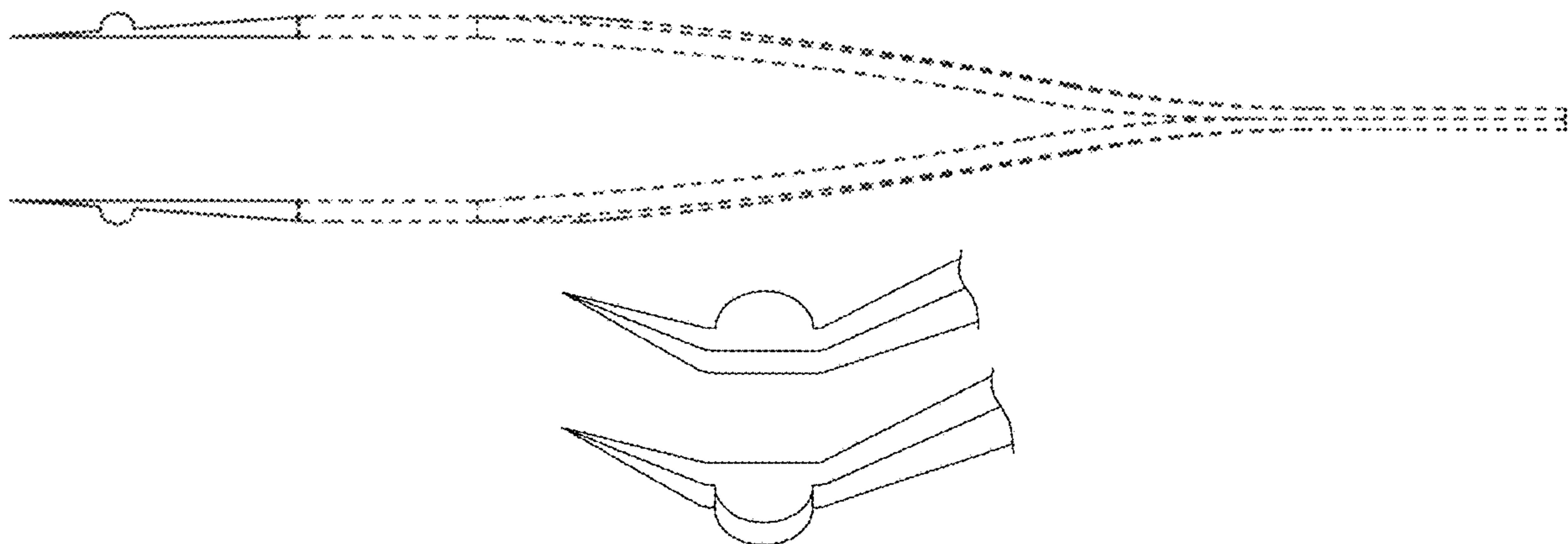
(56) **References Cited**

U.S. PATENT DOCUMENTS

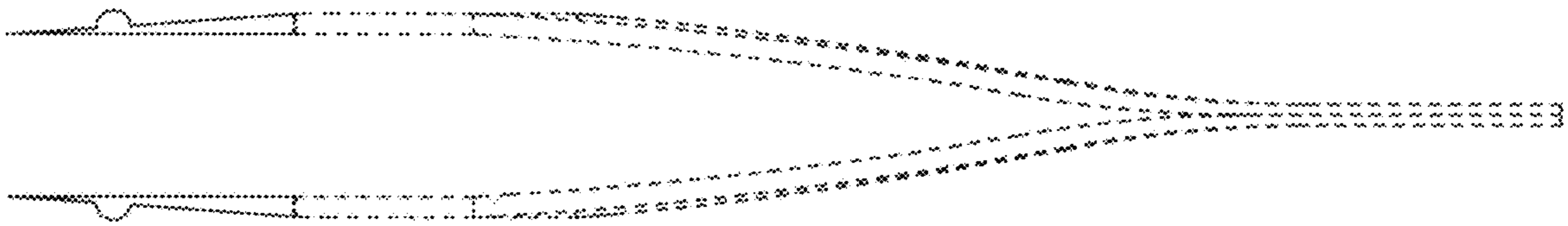
D454,981 S * 3/2002 Lamagna D28/55
D709,195 S * 7/2014 Peck D24/143
D779,061 S * 2/2017 Khaw D24/143
D783,901 S * 4/2017 Kim D28/55
D784,615 S * 4/2017 Choi D28/36
D818,123 S * 5/2018 Hussain D24/143
D825,057 S * 8/2018 Pfeffer D24/143

The present articles are medical (surgical) tweezers used for
treatment of an acne such as a comedo; portions shown by
solid lines are intended to obtain a design registration as a
partial design.

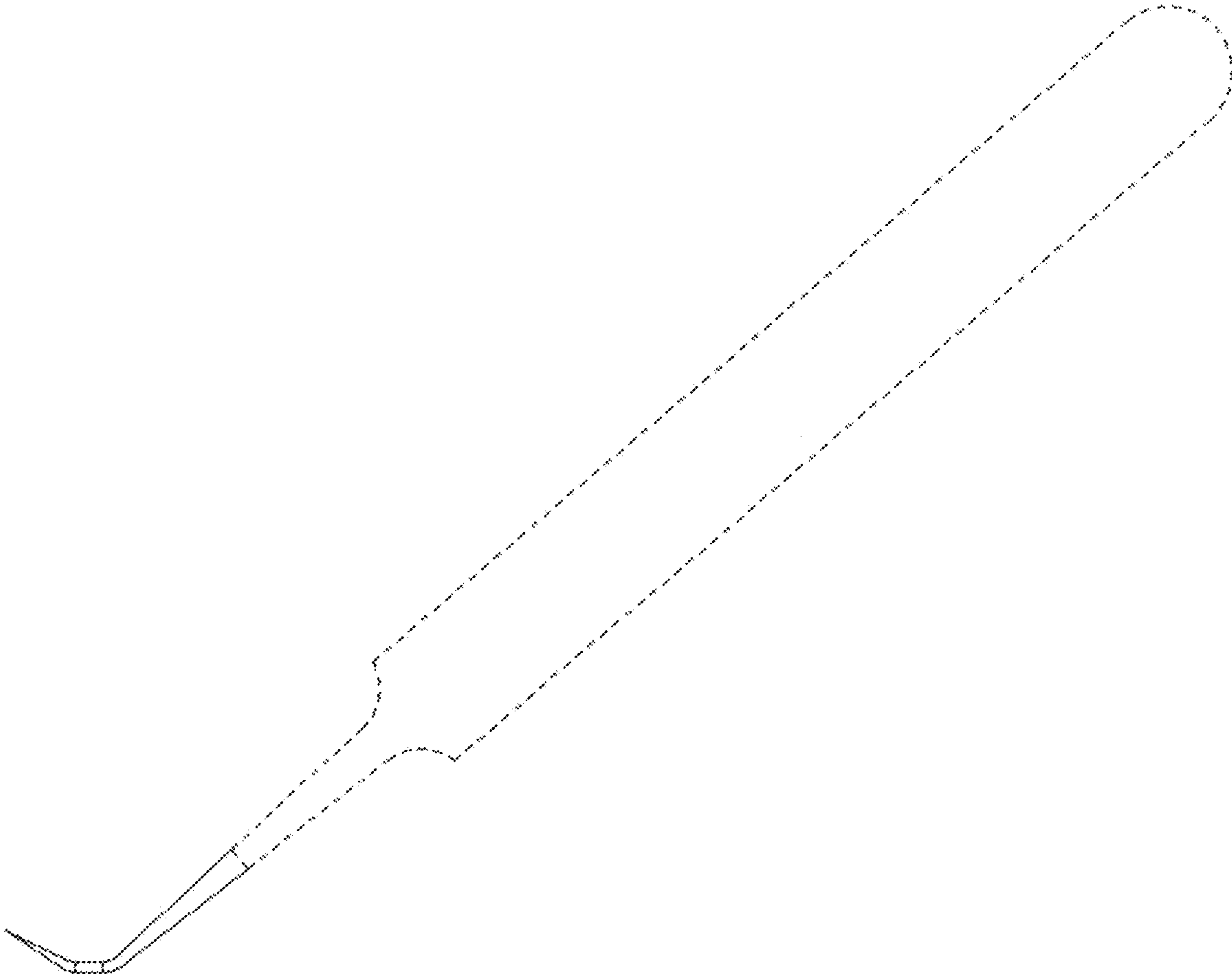
1 Claim, 6 Drawing Sheets



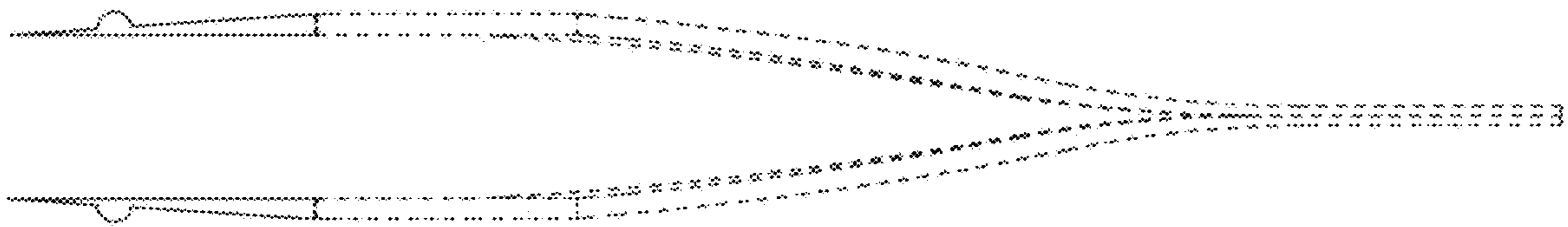
1.1



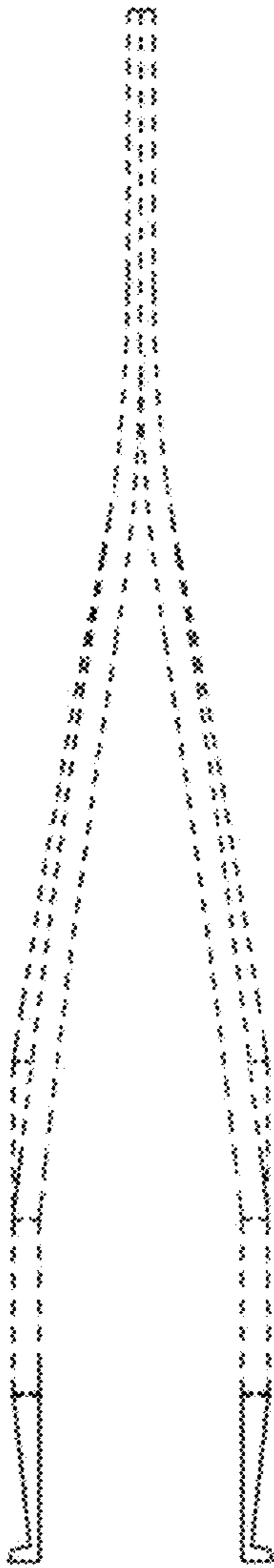
1.2



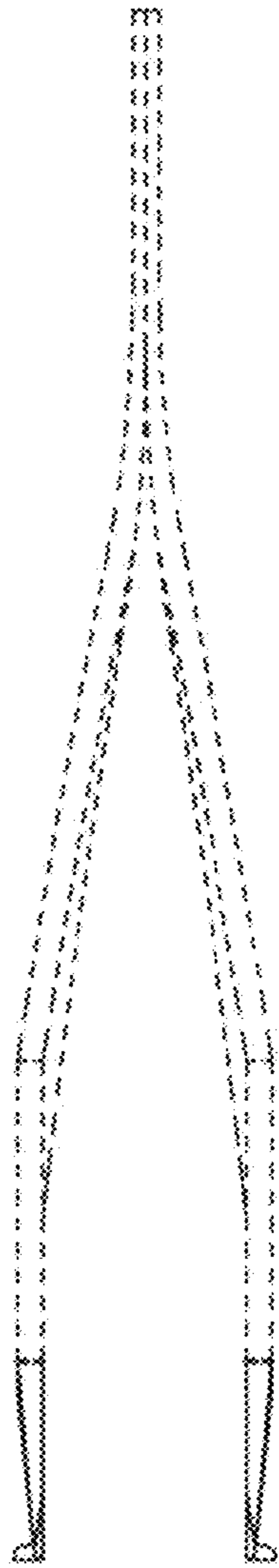
1.3



1.4



1.5



1.6

