



US00D923786S

(12) **United States Design Patent** (10) **Patent No.:** **US D923,786 S**
Arumugam et al. (45) **Date of Patent:** **** Jun. 29, 2021**

(54) **SECURITY CLAMP FOR MEDICAL DEVICE**

Primary Examiner — Wan Laymon

(71) Applicant: **Becton, Dickinson and Company**,
Franklin Lakes, NJ (US)

(74) *Attorney, Agent, or Firm* — The Webb Law Firm

(72) Inventors: **Bharanikumar Arumugam**, Cheyyar
(IN); **Lakshmi Narayanan**
LakshmanaPerumal, Madurai (IN);
Mahesh Kumar Muthiah, Wayne, NJ
(US)

(57) **CLAIM**

The ornamental design for a security clamp for a medical device, as shown and described.

(73) Assignee: **Becton, Dickinson and Company**,
Franklin Lakes, NJ (US)

DESCRIPTION

(**) Term: **15 Years**

(21) Appl. No.: **29/713,607**

(22) Filed: **Nov. 18, 2019**

(51) **LOC (13) Cl.** **24-02**

(52) **U.S. Cl.**
USPC **D24/143; D24/128**

(58) **Field of Classification Search**
USPC D24/143, 127–129, 133
CPC A61M 25/02; A61M 25/0043; A61M
25/0097; A61M 39/00; A61M 39/1011
See application file for complete search history.

FIG. 1 is a generally rearwardly-directed perspective view of a security clamp for medical device in a closed position in accordance with an embodiment of the present invention; FIG. 2 is a generally right-sidewardly directed perspective view of the security clamp of FIG. 1; FIG. 3 is a generally left-sidewardly directed perspective view of the security clamp of FIG. 1; FIG. 4 is a top view of the security clamp of FIG. 1; FIG. 5 is a front view of the security clamp of FIG. 1; FIG. 6 is a left side view of the security clamp of FIG. 1; FIG. 7 is right side view of the security clamp of FIG. 1; FIG. 8 is a rear view of the security clamp of FIG. 1; FIG. 9 is a bottom view of the security clamp of FIG. 1; FIG. 10 is a generally frontwardly directed perspective view of the security clamp of FIG. 1 in an open position showing the external features; FIG. 11 is a generally rearwardly directed perspective view of the security clamp of FIG. 10 showing the internal features; FIG. 12 is a top view of the security clamp of FIG. 10; FIG. 13 is a front view of the security clamp of FIG. 10 showing the external features; FIG. 14 is a left side view of the security clamp of FIG. 10; FIG. 15 is a right side view of the security clamp of FIG. 10; FIG. 16 is a rear view of the security clamp of FIG. 10 showing the internal features; and, FIG. 17 is a bottom view of the security clamp of FIG. 10.

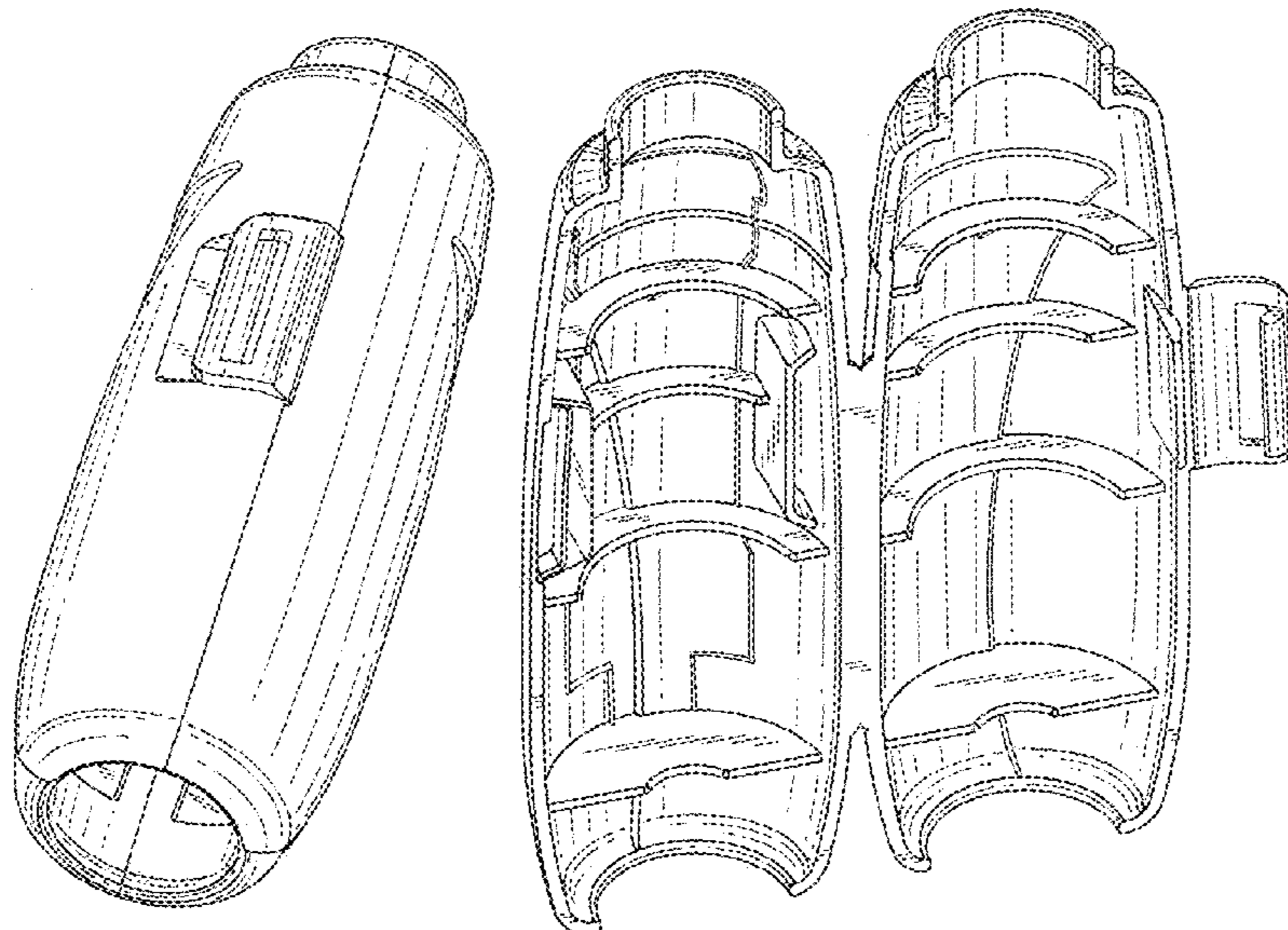
(56) **References Cited**

U.S. PATENT DOCUMENTS

4,473,369	A *	9/1984	Lueders	A61M 39/1011
					285/419
4,596,571	A *	6/1986	Bellotti	A61M 39/1011
					604/411
D329,698	S *	9/1992	Loney	D24/133
5,792,149	A *	8/1998	Sherts	A61B 17/1285
					D24/143
D398,998	S *	9/1998	Gamper	D24/143
D430,670	S *	9/2000	Bonthuys	D24/143
D791,936	S *	7/2017	Davis	D24/127

* cited by examiner

1 Claim, 12 Drawing Sheets



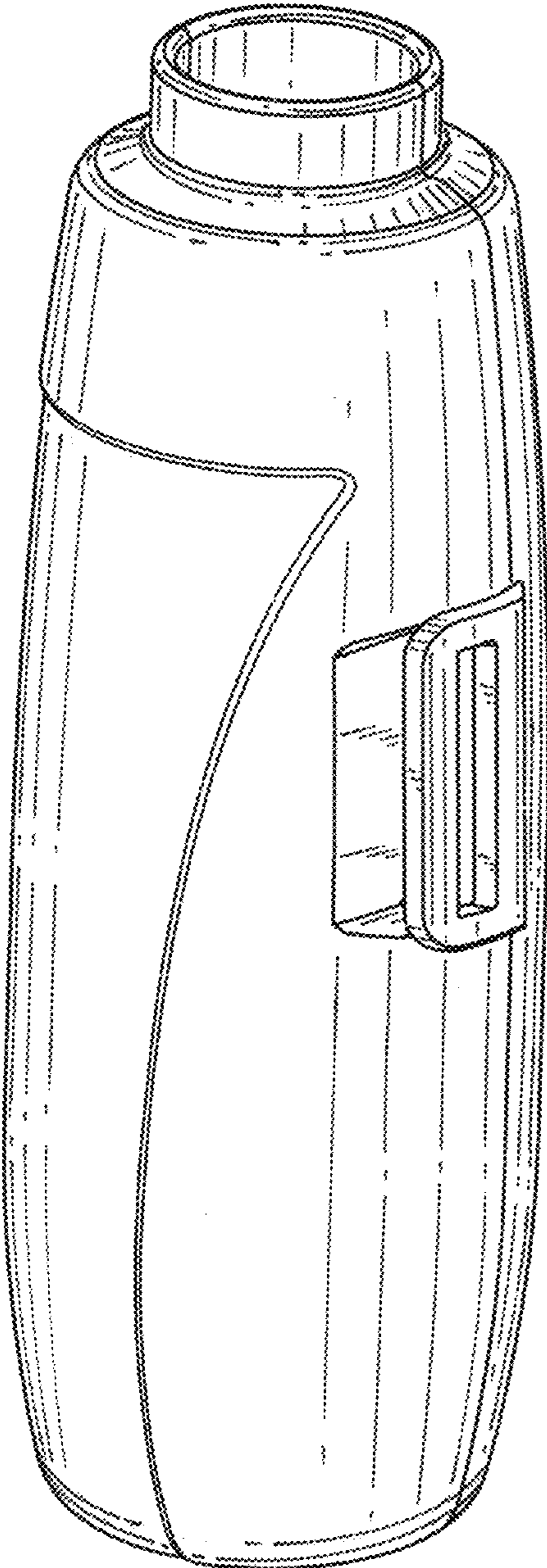


FIG.1

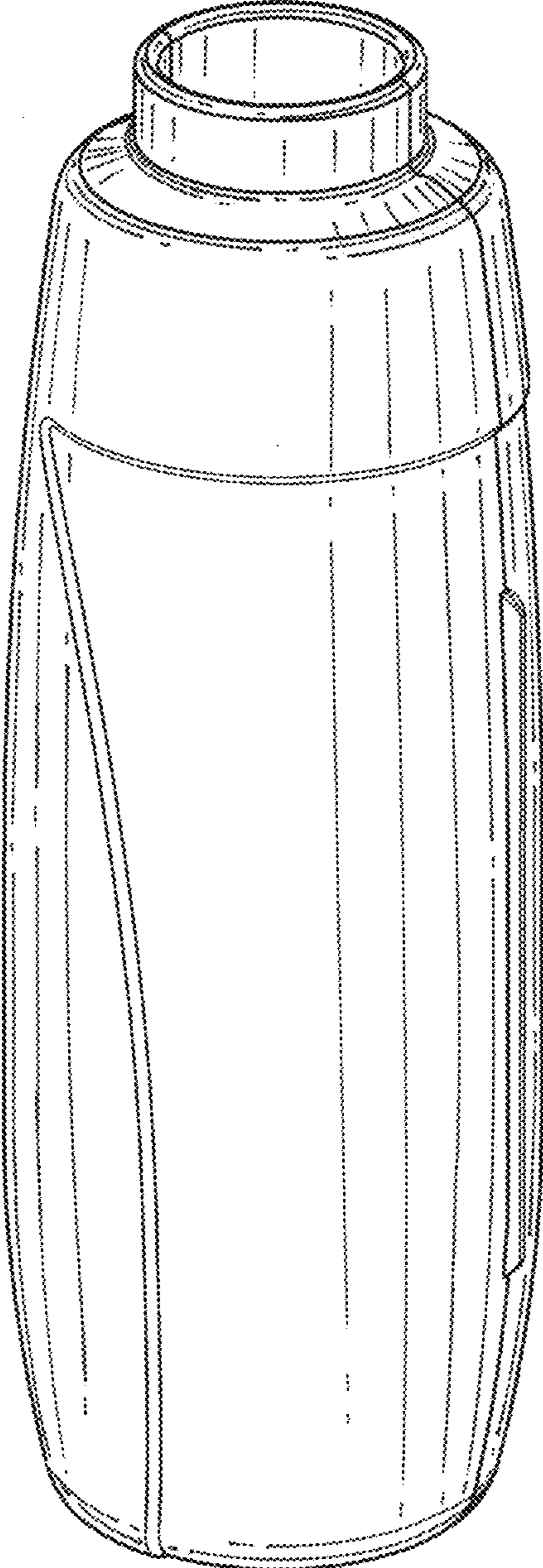


FIG.2

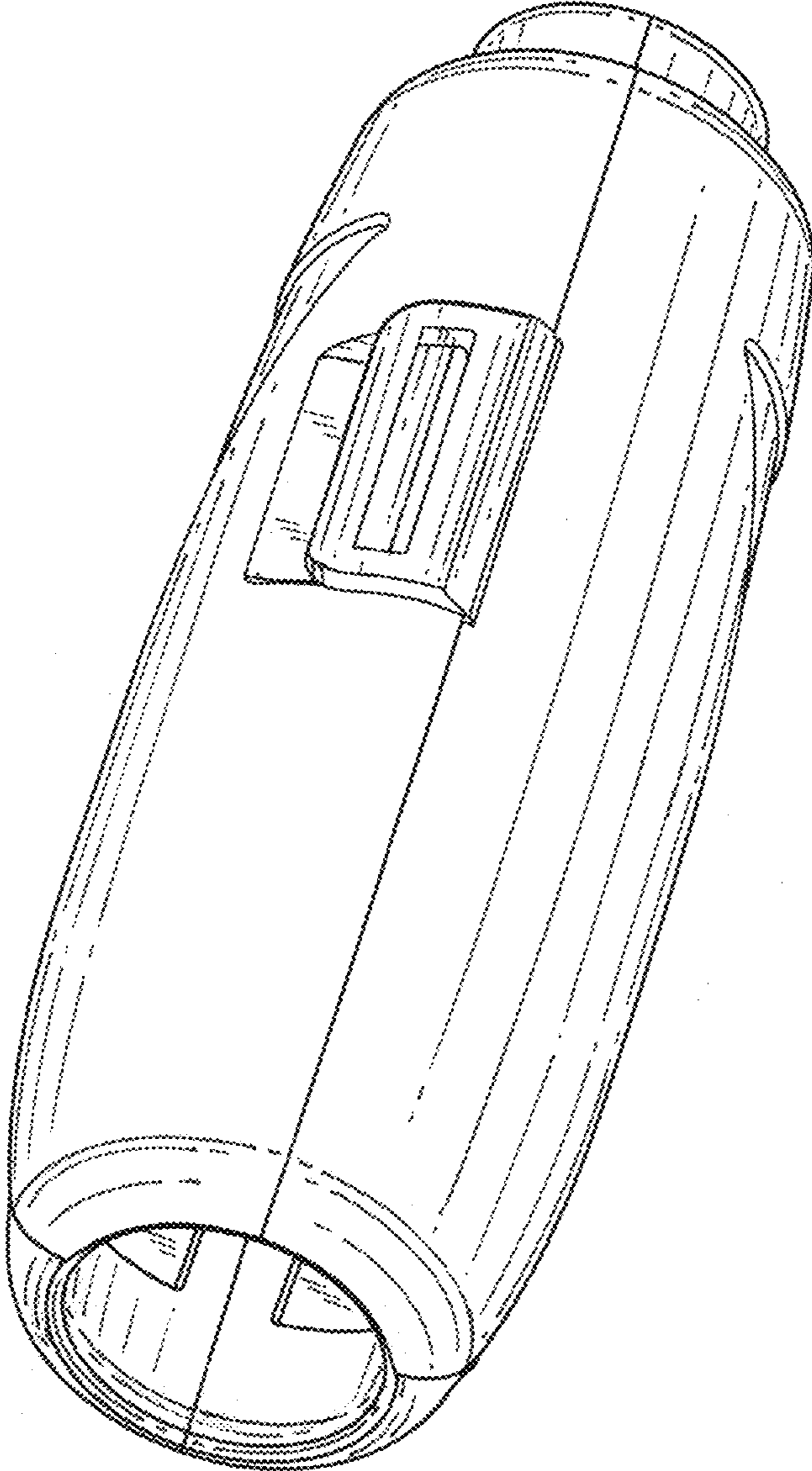


FIG.3

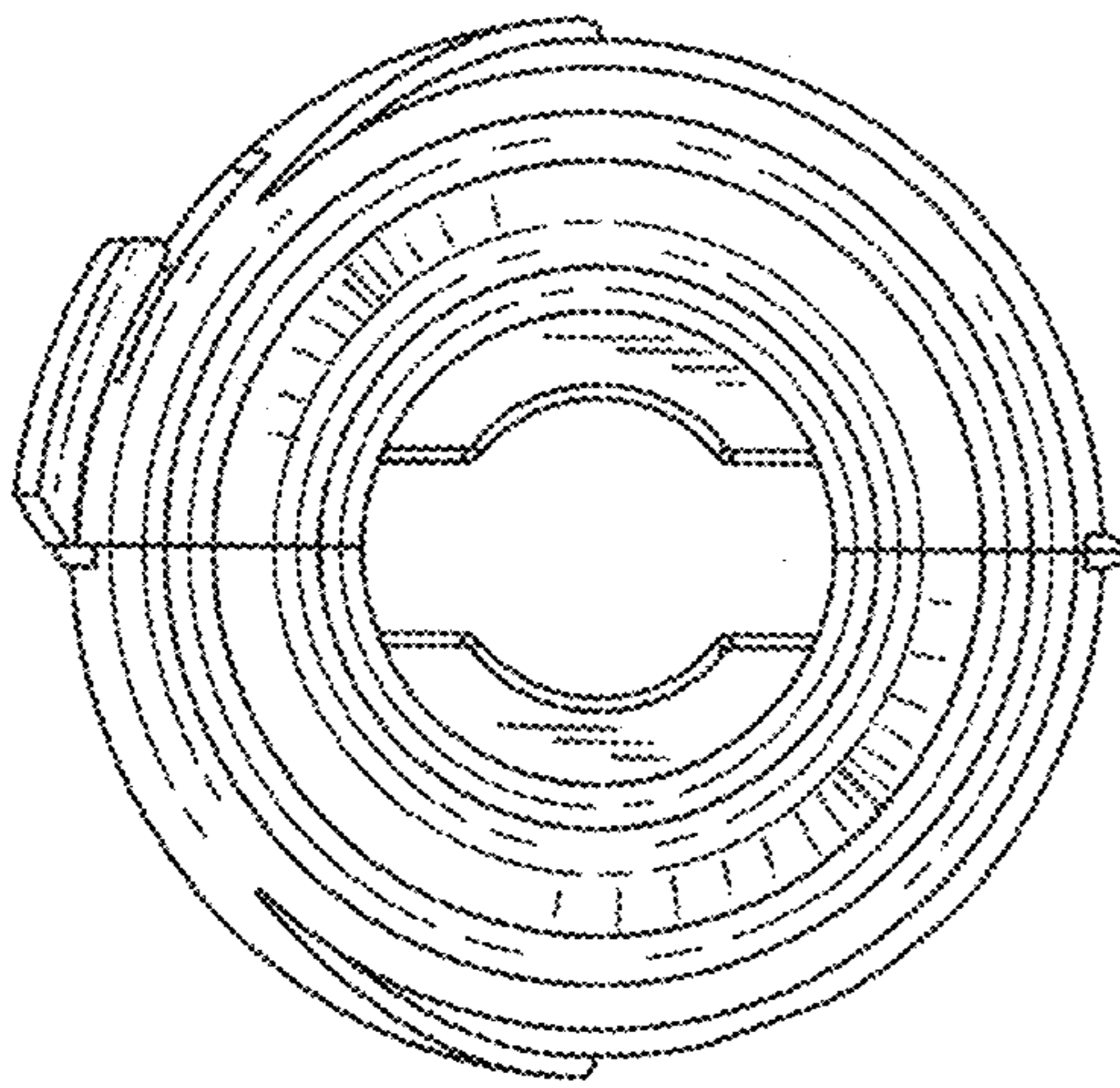


FIG.4

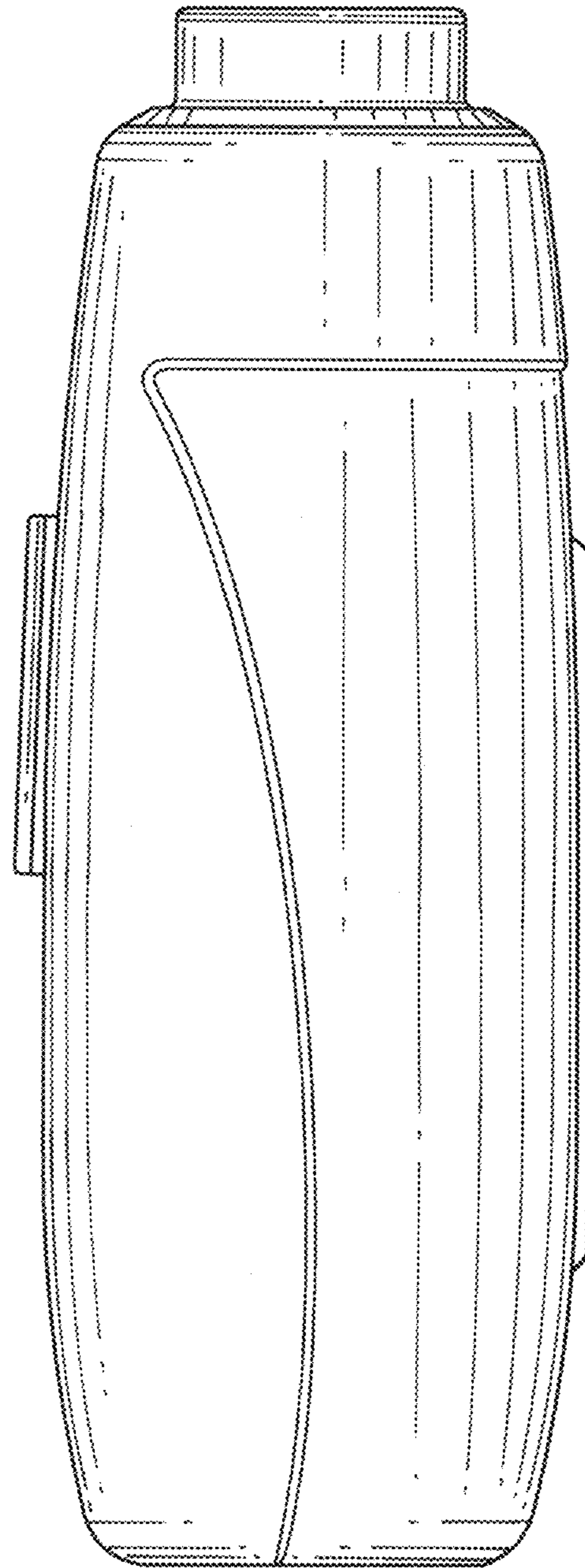


FIG.5

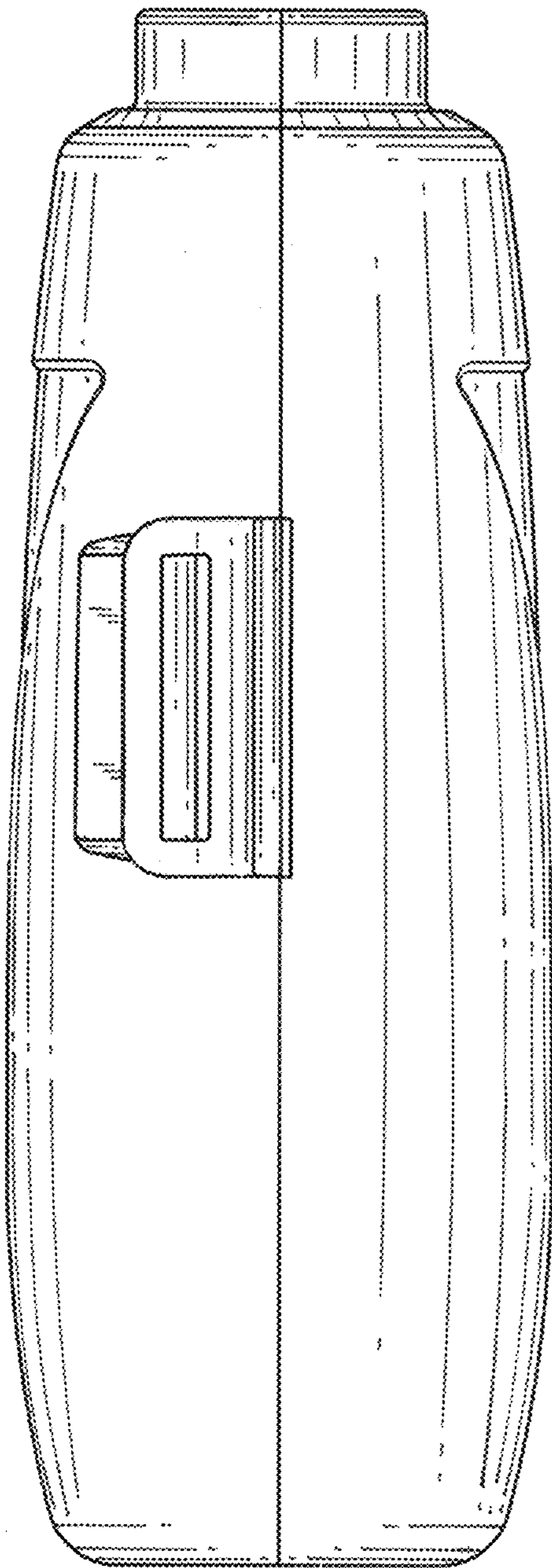


FIG. 6

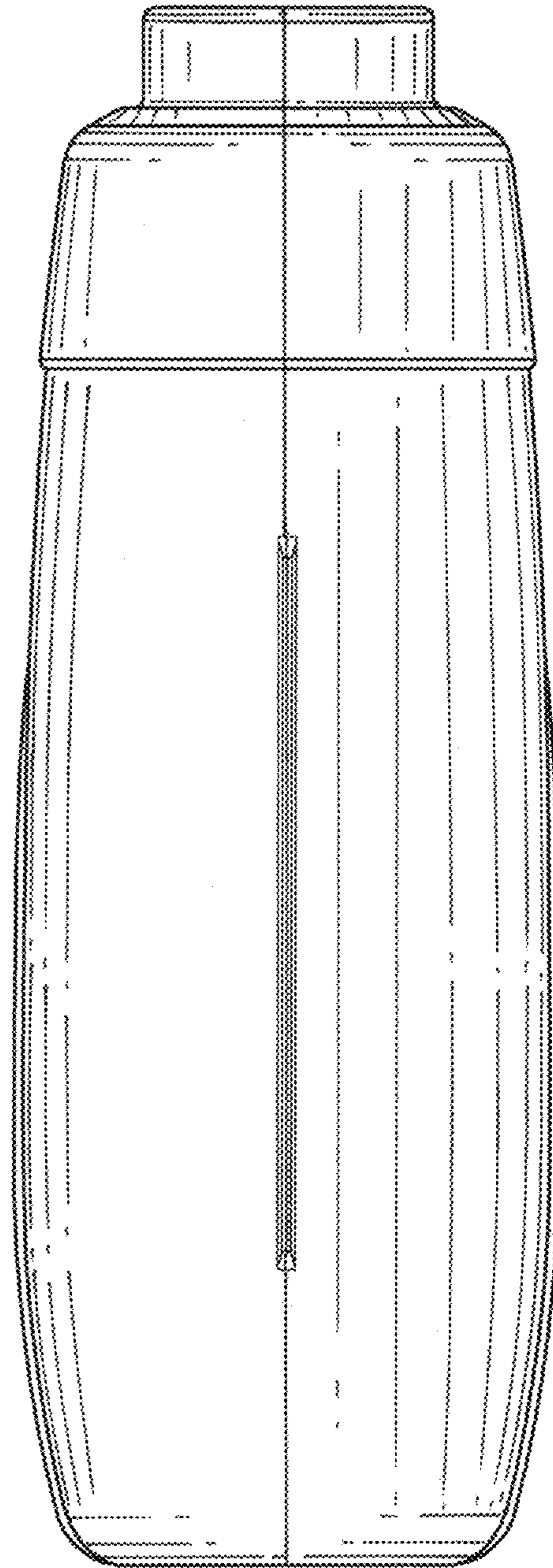


FIG. 7

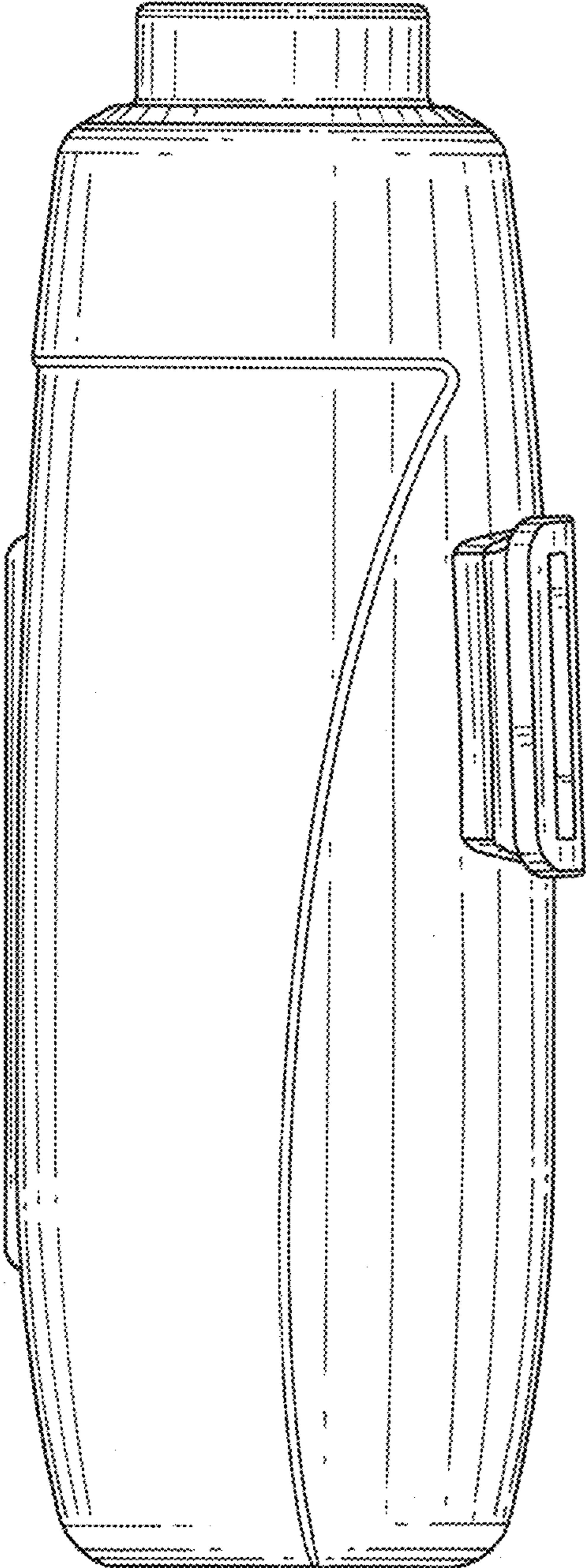


FIG. 8

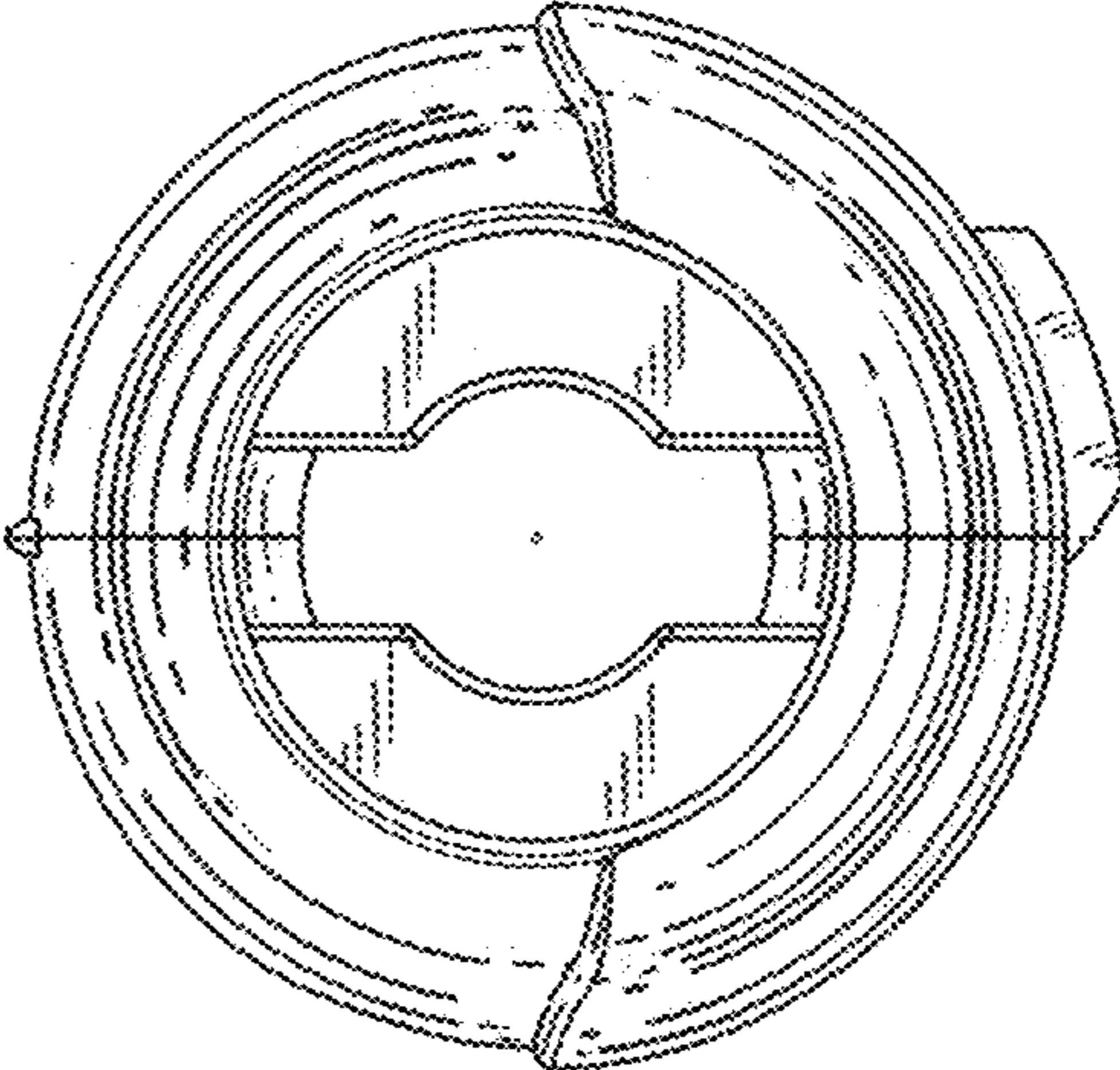


FIG. 9

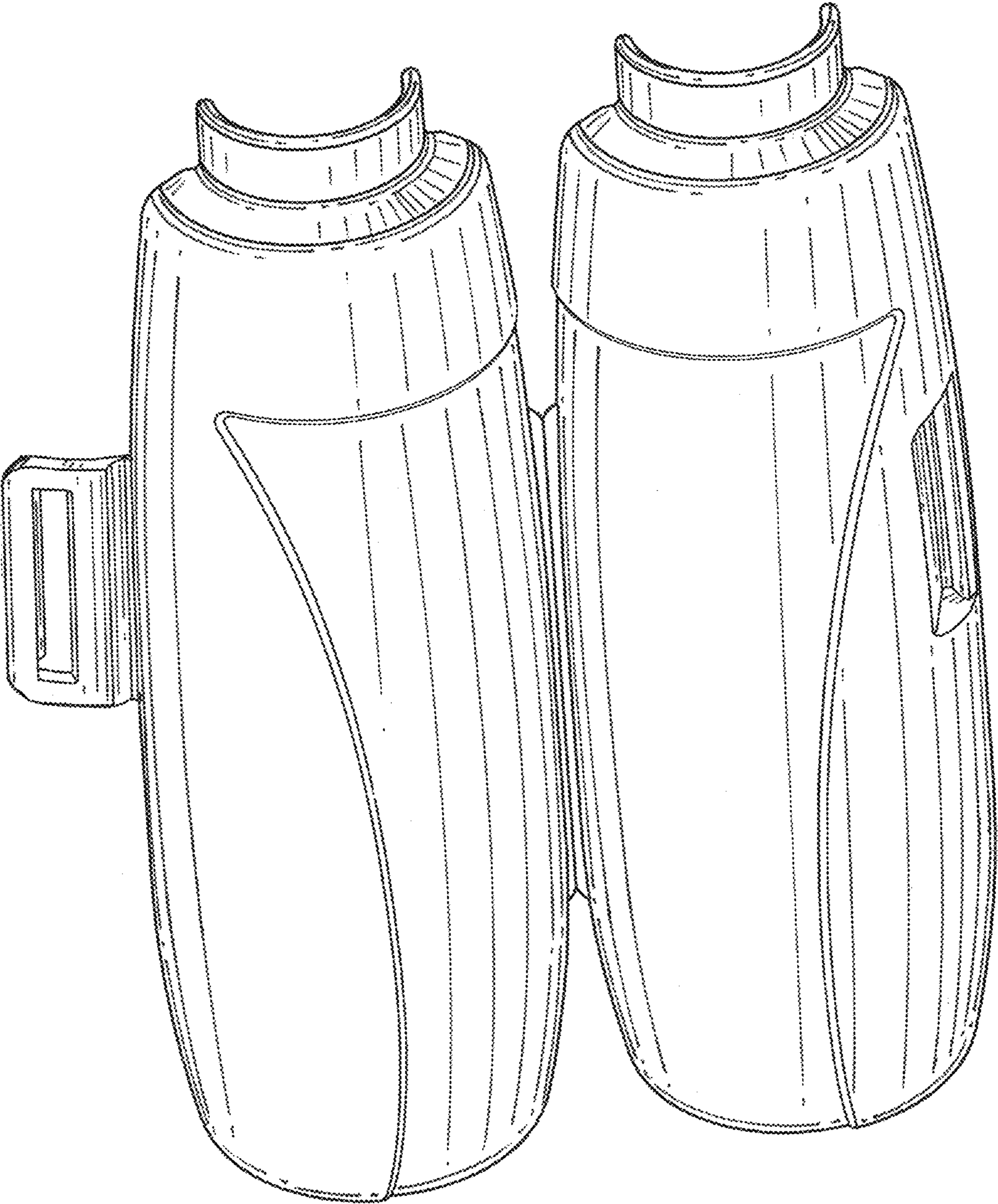


FIG.10

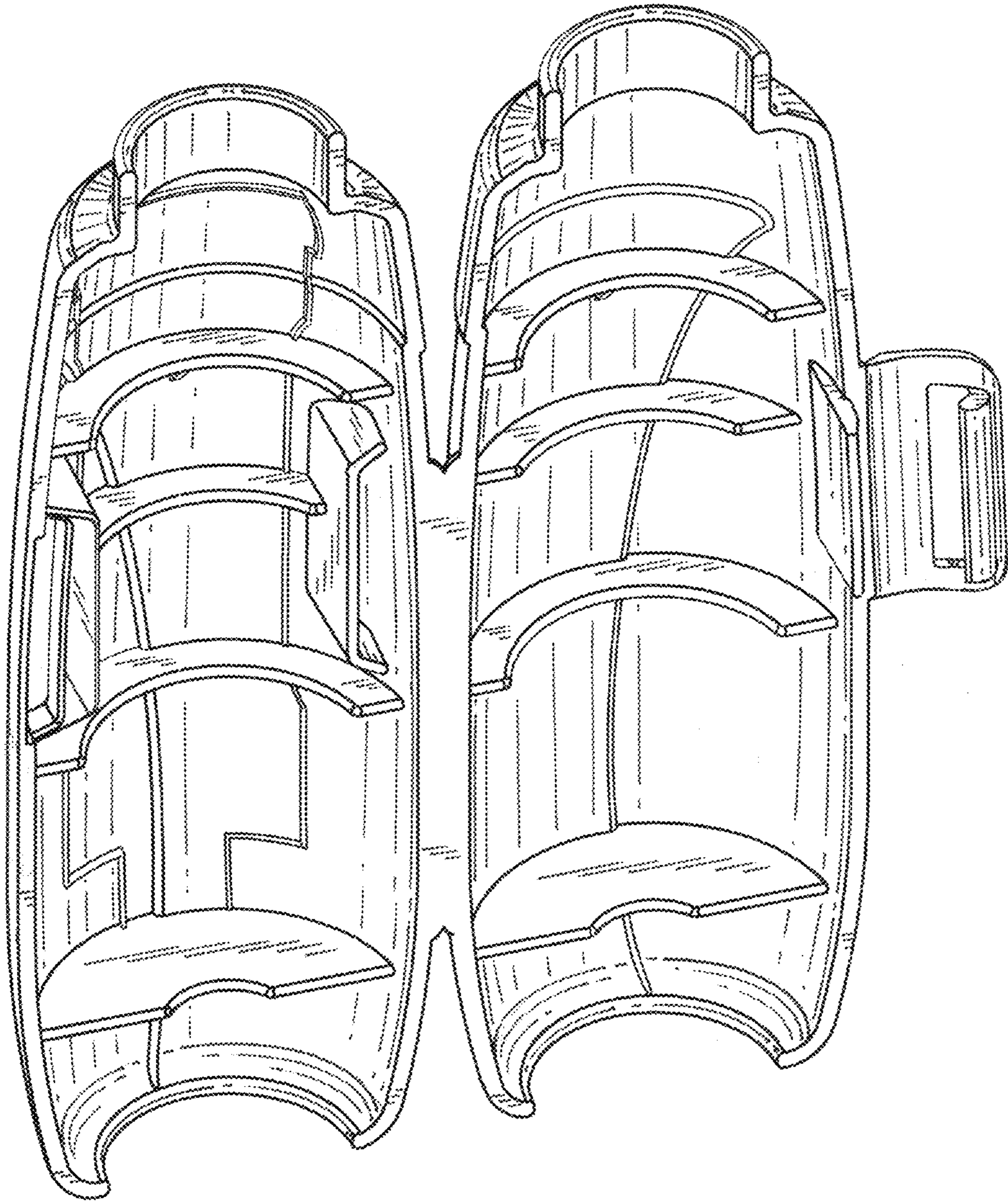


FIG.11

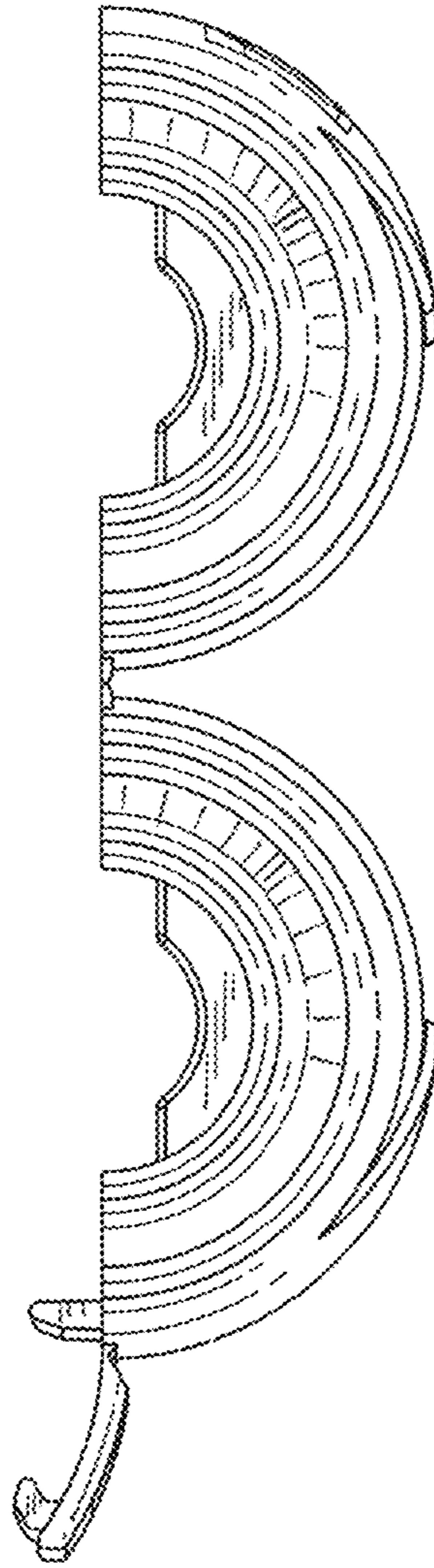


FIG.12

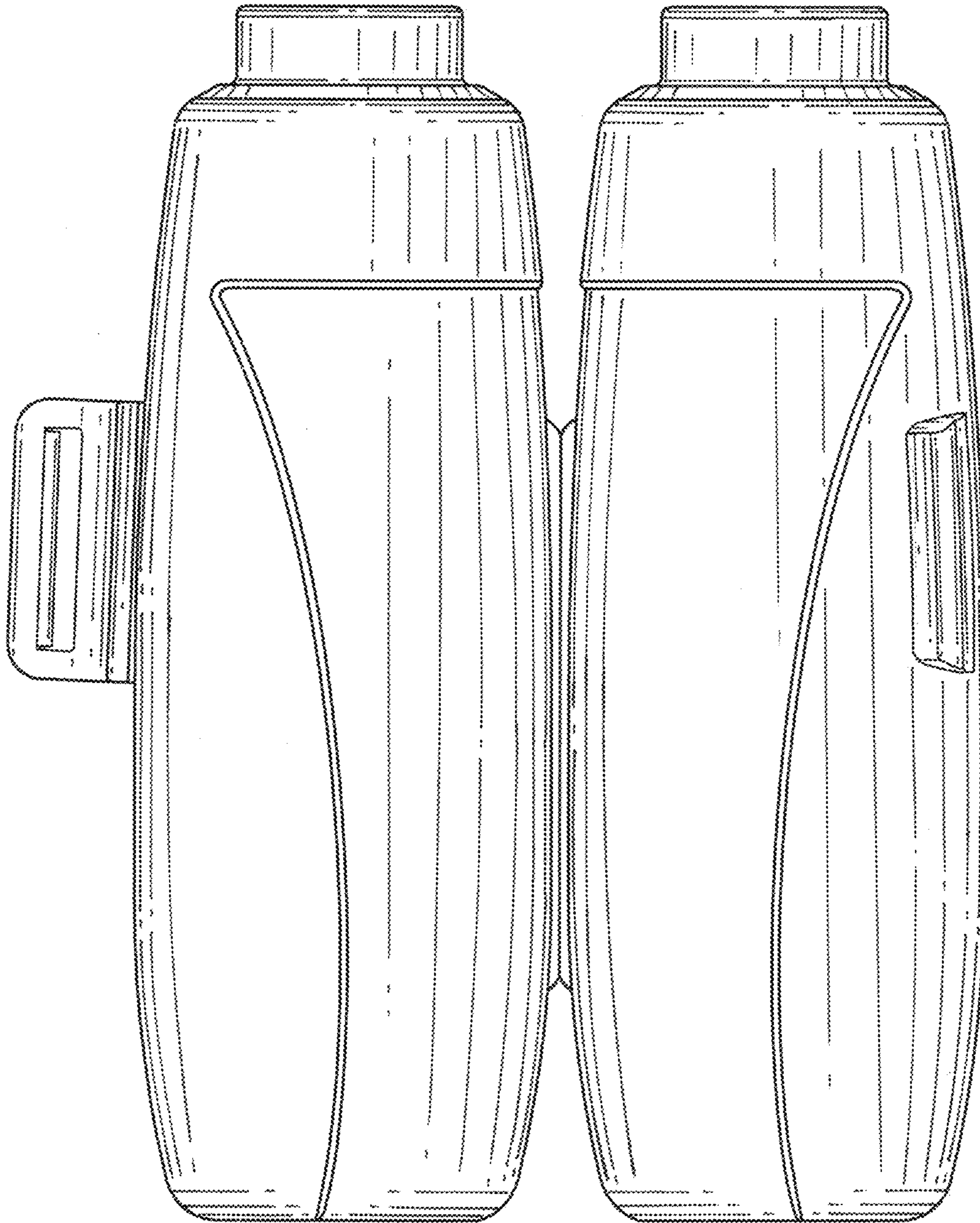


FIG.13

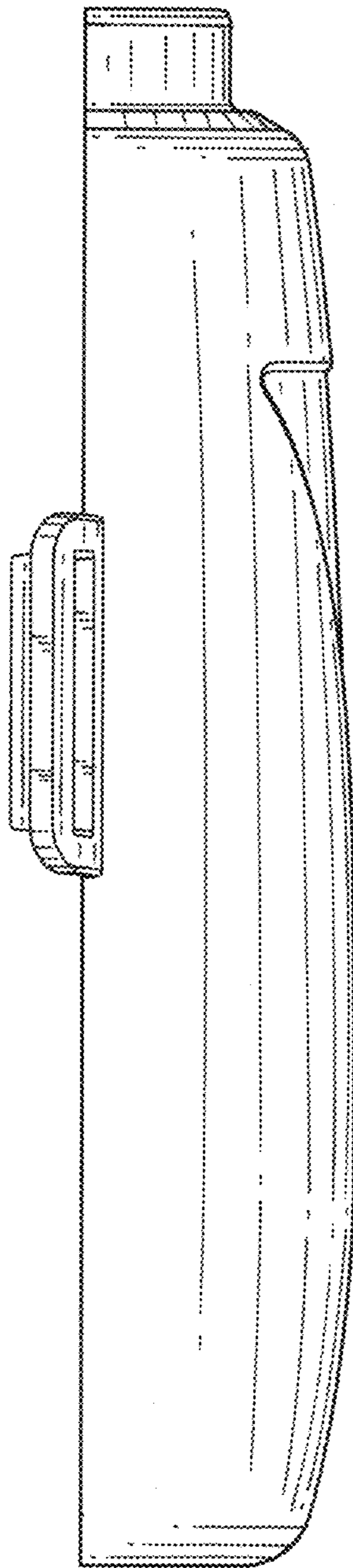


FIG.14

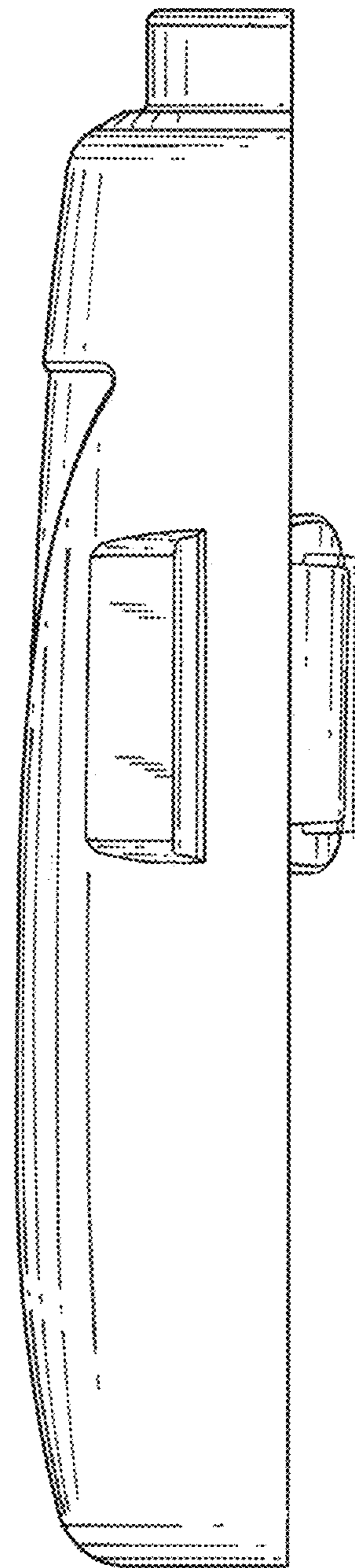


FIG.15

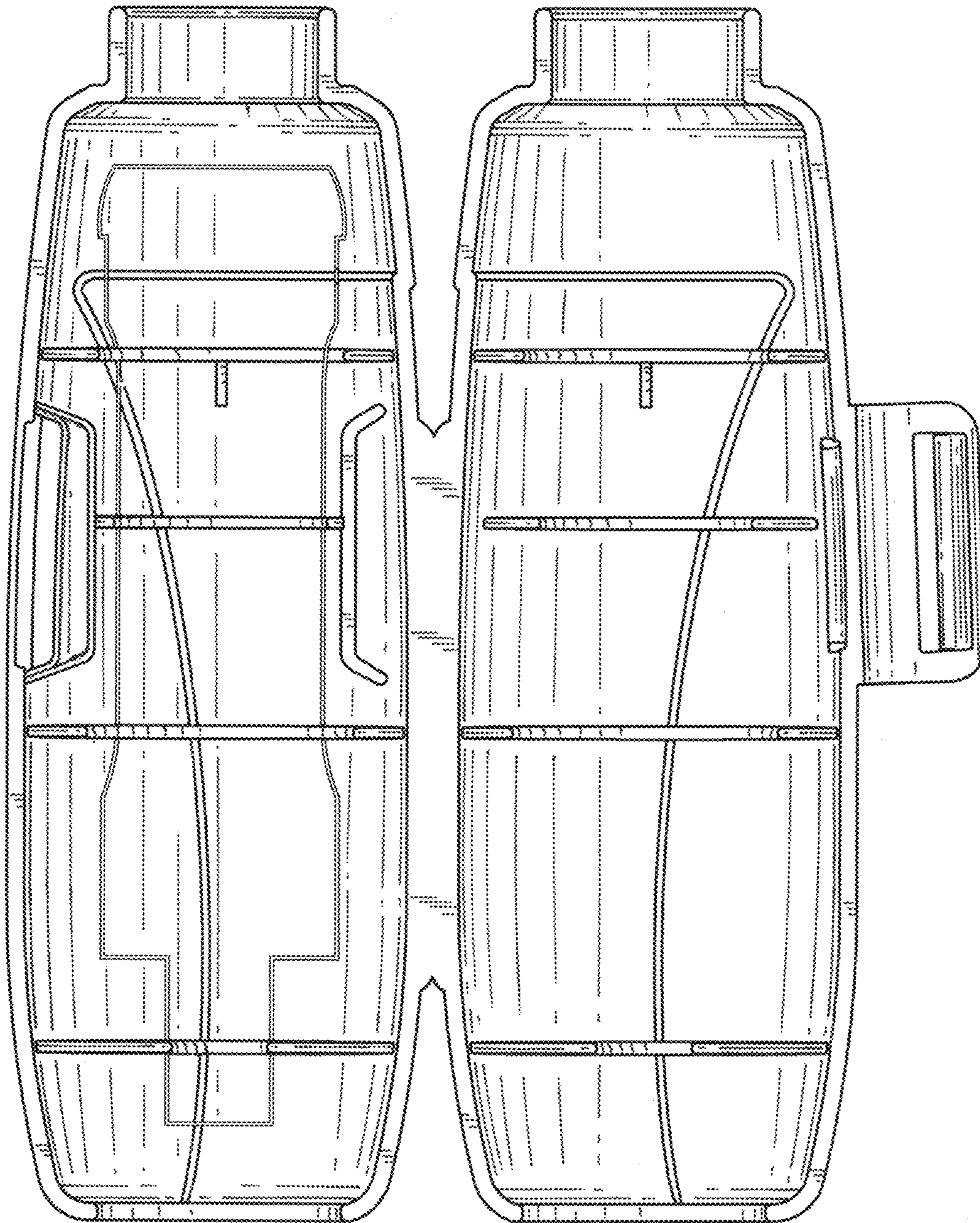


FIG.16

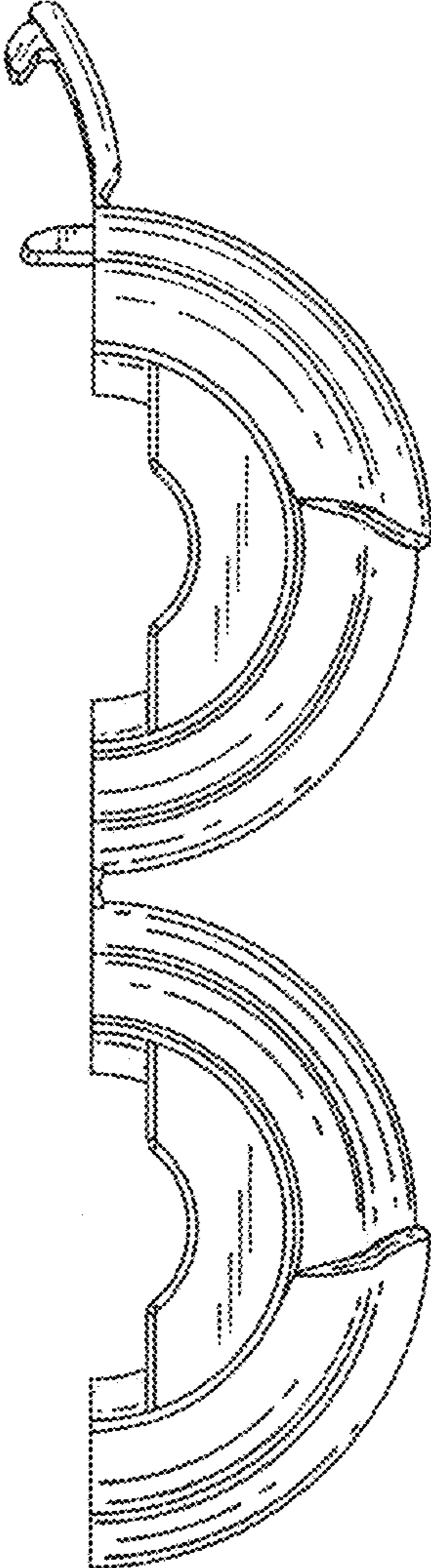


FIG.17