



US00D923784S

(12) **United States Design Patent** (10) **Patent No.:** **US D923,784 S**
Pupino et al. (45) **Date of Patent:** **** Jun. 29, 2021**

- (54) **CATHETER GRIPPING AID**
- (71) Applicant: **Hollister Incorporated**, Libertyville, IL (US)
- (72) Inventors: **Scott J. Pupino**, Oak Park, IL (US);
Martin P. Creaven, Ballina (IE);
Barbara J. Kearns, Balla (IE)
- (73) Assignee: **Hollister Incorporated**, Libertyville, IL (US)
- (**) Term: **15 Years**
- (21) Appl. No.: **29/750,487**
- (22) Filed: **Sep. 14, 2020**

- 4,051,849 A 10/1977 Poncy et al.
 - 4,834,711 A 5/1989 Greenfield et al.
 - 4,871,358 A 10/1989 Gold
 - D321,251 S * 10/1991 Jepson D24/112
 - 5,242,428 A 9/1993 Palestrant
 - 5,334,166 A 8/1994 Palestrant
 - 5,368,575 A 11/1994 Chang
 - D369,408 S * 4/1996 Laun D24/133
 - D376,204 S * 12/1996 Huculak D24/133
- (Continued)

FOREIGN PATENT DOCUMENTS

- DE 19826746 C1 11/1999
 - EP 0972536 A1 1/2000
- (Continued)

OTHER PUBLICATIONS

Office Action dated Sep. 3, 2020 in U.S. Appl. No. 29/653,497.
(Continued)

Primary Examiner — David G Muller
(74) *Attorney, Agent, or Firm* — Cook Alex Ltd.

(57) **CLAIM**

The ornamental design for a catheter gripping aid, as shown and described.

DESCRIPTION

FIG. 1 is a perspective view of a catheter gripping aid, showing the new design.
 FIG. 2 is a top plan view thereof.
 FIG. 3 is a bottom plan view thereof.
 FIG. 4 is a right side elevational view thereof.
 FIG. 5 is a left side elevational view thereof.
 FIG. 6 is a rear elevational view thereof; and,
 FIG. 7 is a front elevational view thereof.
 The broken line showing of parts of the drawings is included for the purpose of illustrating use and environment and forms no part of the claimed design.

1 Claim, 3 Drawing Sheets

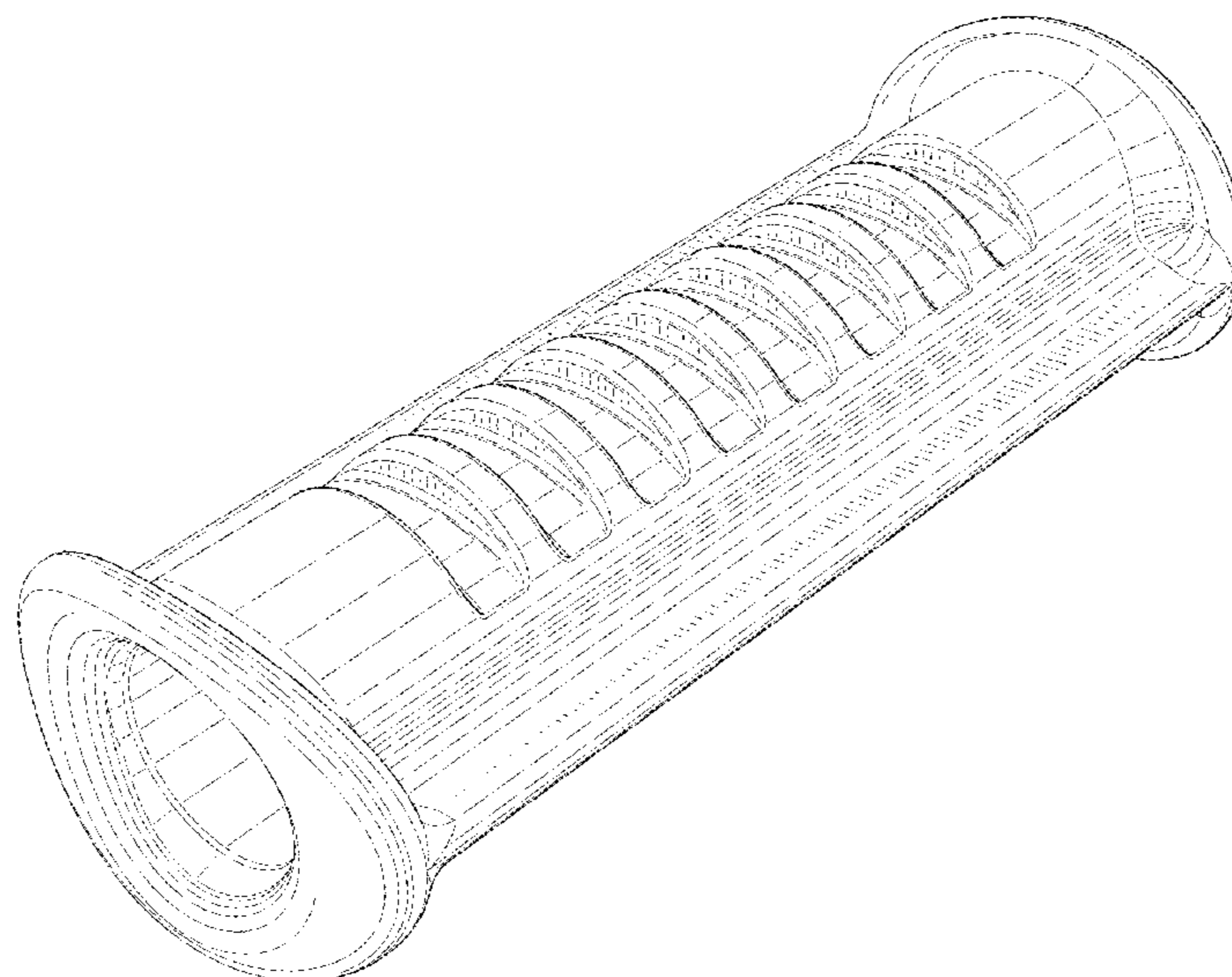
Related U.S. Application Data

- (62) Division of application No. 29/633,637, filed on Jan. 15, 2018, now Pat. No. Des. 903,111.
- (51) **LOC (13) Cl.** **24-02**
- (52) **U.S. Cl.**
USPC **D24/130**
- (58) **Field of Classification Search**
USPC D24/108, 111, 155, 127–131, 112–114,
D24/133, 186; 606/181, 185; 604/264,
604/523–528, 272, 187, 158,
604/164.01–164.11, 181, 184, 227;
600/101, 139, 143; 128/200.24, 207.14,
128/207.15
CPC A61M 25/00; A61M 39/00; A61M 27/00;
A61M 25/0043; A61M 25/0067; A61M
25/0097; A61F 2/958
See application file for complete search history.

(56) **References Cited**

U.S. PATENT DOCUMENTS

- 3,154,080 A 10/1964 Rowan et al.
- 3,421,509 A 1/1969 Fiore



(56)

References Cited

U.S. PATENT DOCUMENTS

5,792,114 A 8/1998 Fiore
D405,232 S * 2/1999 Stevens D24/133
5,871,475 A 2/1999 Frassica
D422,359 S * 4/2000 Fitch D24/133
6,090,075 A 7/2000 House
D429,526 S * 8/2000 Sullivan D24/133
6,355,004 B1 3/2002 Pedersen et al.
6,402,726 B1 6/2002 Genese
D465,024 S * 10/2002 Henderson D24/133
6,578,709 B1 6/2003 Kavanagh et al.
6,602,244 B2 8/2003 Kavanagh et al.
6,613,014 B1 9/2003 Chi
6,676,651 B2 1/2004 Haacke et al.
7,094,220 B2 8/2006 Tanghoj et al.
D531,308 S * 10/2006 Bendek D24/114
D538,341 S * 3/2007 Oas D19/121
D546,946 S * 7/2007 Blake D24/129
D553,738 S * 10/2007 Simonson D24/133
D555,241 S * 11/2007 Nakanishi D24/133
7,601,158 B2 10/2009 House
7,632,256 B2 12/2009 Mosler et al.
D612,044 S * 3/2010 Scheibe D24/130
7,938,807 B2 5/2011 House
7,963,908 B2 6/2011 Lindberg
D648,851 S * 11/2011 Copeland D24/133
8,181,778 B1 5/2012 van Groningen et al.
8,328,792 B2 12/2012 Nishtala et al.
D675,318 S * 1/2013 Luk D24/130
D677,785 S * 3/2013 Stones D24/113
8,512,313 B2 * 8/2013 Atkinson F16K 25/005
604/544
8,523,823 B2 9/2013 Ostfeld et al.
D726,905 S * 4/2015 Tegg D24/130
D739,005 S * 9/2015 Matsumura D24/108
D813,383 S * 3/2018 Kearns D24/127
2003/0018322 A1 1/2003 Tanghoj et al.
2003/0060807 A1 3/2003 Tanghol et al.
2005/0096688 A1 5/2005 Slazas et al.
2006/0184105 A1 * 8/2006 Townsend A61M 25/0054
604/93.01
2007/0088330 A1 4/2007 House
2008/0015527 A1 1/2008 House
2008/0051630 A1 2/2008 Levey et al.
2008/0171973 A1 7/2008 House
2009/0043287 A1 2/2009 Mosler et al.
2009/0099532 A1 4/2009 Cuevas et al.
2010/0030197 A1 2/2010 House
2010/0087847 A1 * 4/2010 Hong A61B 5/150503
606/181
2010/0258568 A1 10/2010 Frederiksen et al.

2010/0286664 A1 11/2010 Haslinger
2011/0060317 A1 3/2011 Frojd
2012/0168324 A1 7/2012 Carleo
2012/0239005 A1 9/2012 Conway et al.
2013/0144271 A1 6/2013 Passadore et al.
2013/0231641 A1 9/2013 Gustavsson
2014/0066904 A1 3/2014 Young
2014/0066905 A1 3/2014 Young
2014/0088516 A1 * 3/2014 Stevenson A61M 25/065
604/263
2014/0257250 A1 11/2014 Palmer
2015/0231365 A1 * 8/2015 Stenzel G01R 33/287
600/417
2015/0258307 A1 * 9/2015 Osypka A61M 25/0136
604/529
2015/0270634 A1 * 9/2015 Buesseler A61B 18/1492
606/41
2015/0335861 A1 * 11/2015 Osypka A61M 25/0147
604/95.04

FOREIGN PATENT DOCUMENTS

EP 1485158 B1 1/2008
EP 2016821 A1 1/2009
EP 2105158 A2 9/2009
EP 2106821 A1 10/2009
EP 2471569 A1 7/2012
EP 2636421 A1 9/2013
GB 322426 12/1929
SE 518002 C2 8/2002
WO WO 00/30575 A1 6/2000
WO WO 01/74417 A2 10/2001
WO WO 03/002178 A2 1/2003
WO WO 03/008029 A2 1/2003
WO WO 2006/121508 A2 11/2006
WO WO 2007/106431 A2 9/2007
WO WO 2010/129362 A1 11/2010
WO WO 2011/011023 A1 1/2011
WO WO 2011/019359 A1 2/2011
WO WO 2012/176189 A1 12/2012

OTHER PUBLICATIONS

Office Action dated May 13, 2020 in U.S. Appl. No. 29/633,637.
Office Action dated Nov. 12, 2019 in U.S. Appl. No. 29/633,637.
Office Action dated Aug. 1, 2019 in U.S. Appl. No. 29/633,637.
U.S. Appl. No. 29/633,637, Title: Catheter Gripping Aid, filed Jan. 15, 2018, Applicant(s): Pupino et al.
U.S. Appl. No. 29/653,497, Title: Catheter Gripping Aid, filed Jun. 15, 2018, Applicant(s): O'Malley et al.

* cited by examiner

FIG. 1

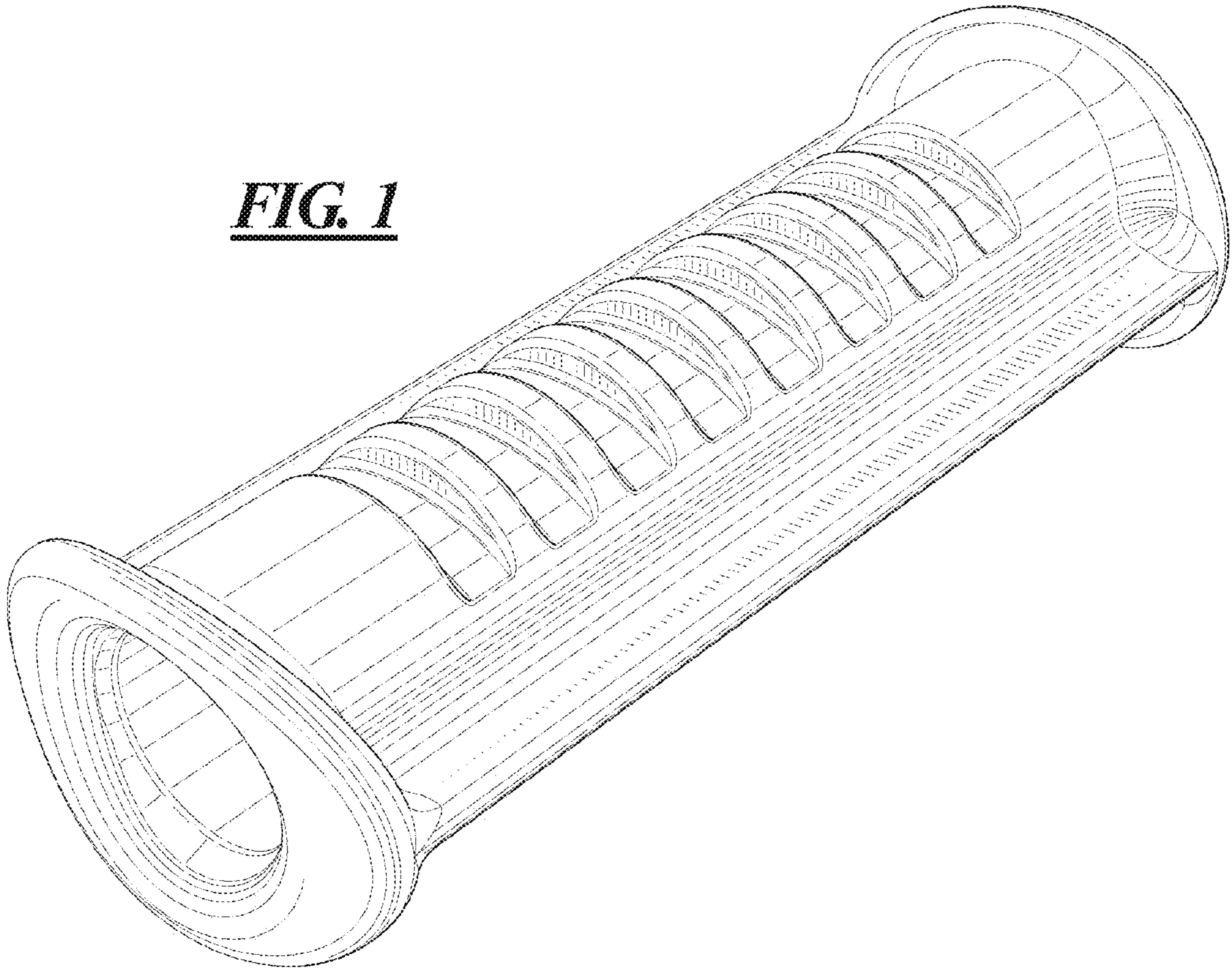


FIG. 2

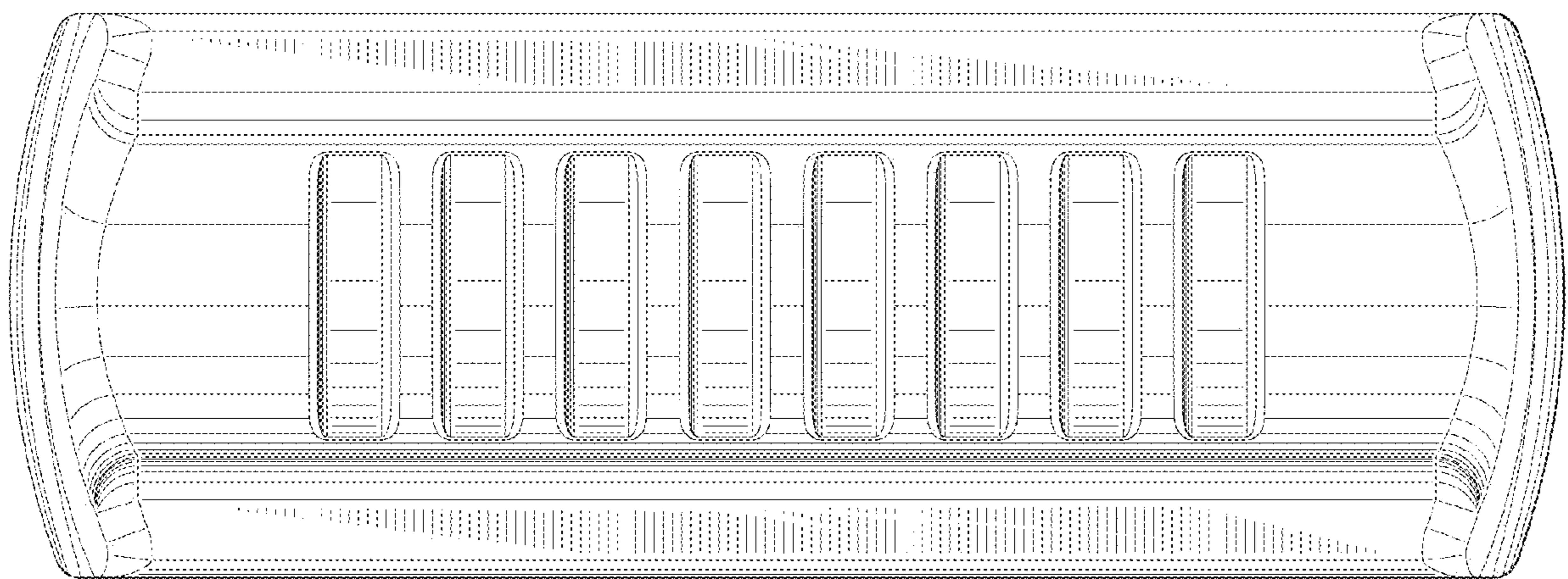


FIG. 3

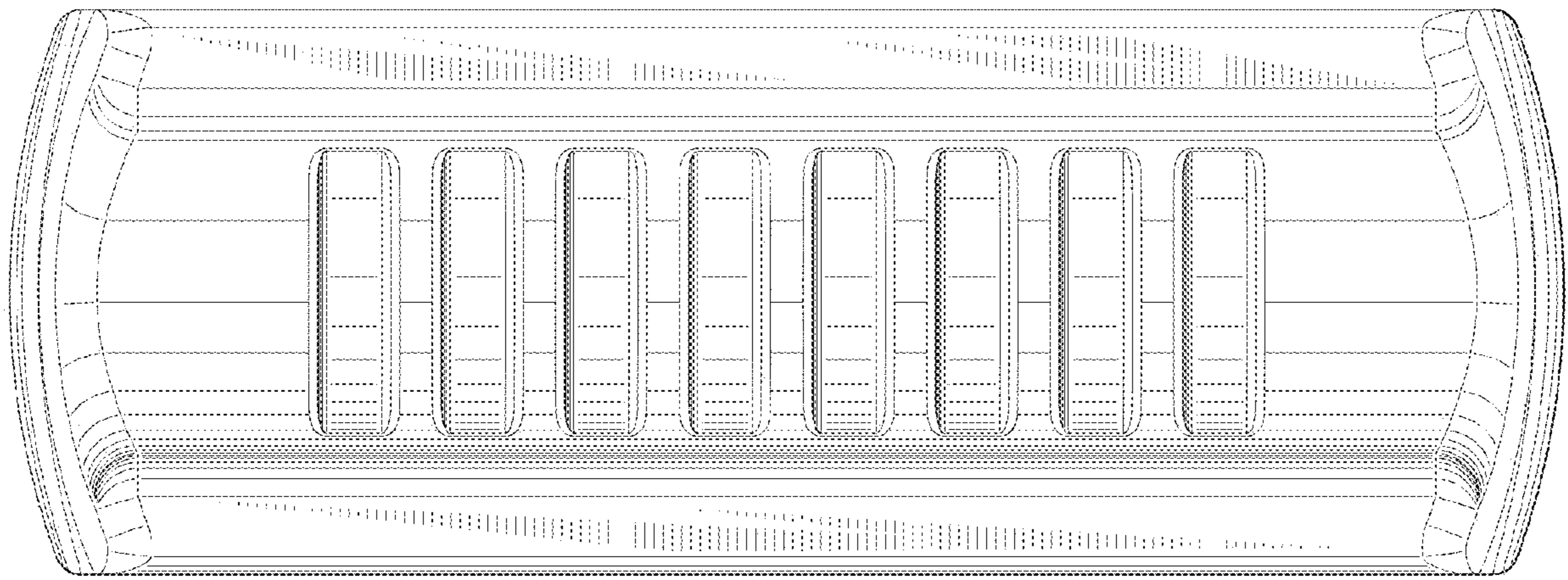


FIG. 4

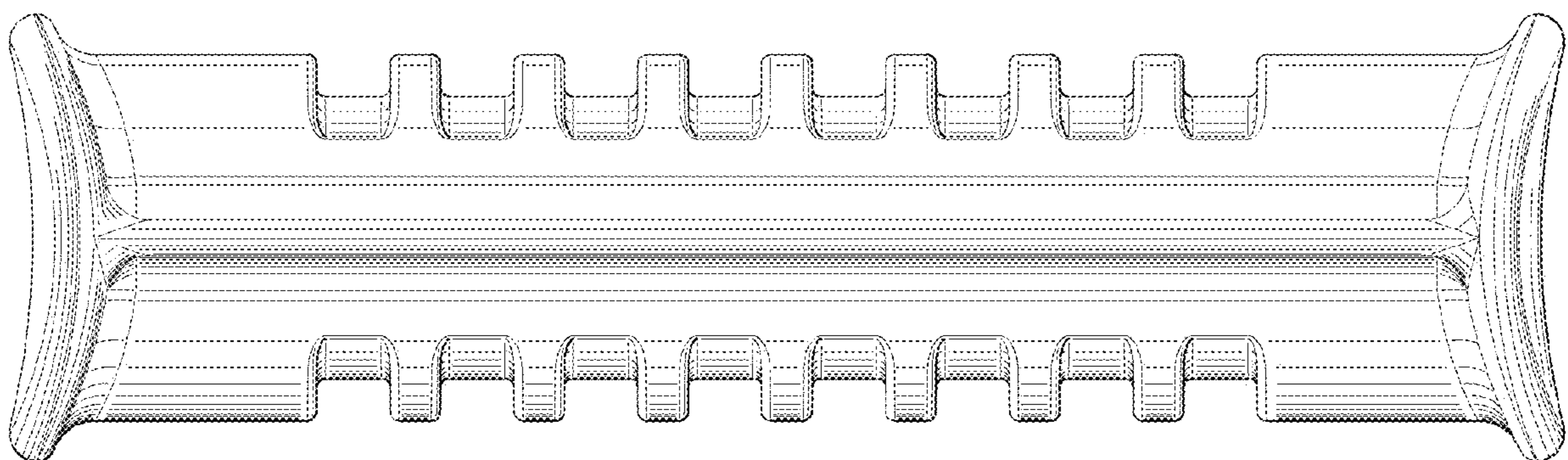


FIG. 5

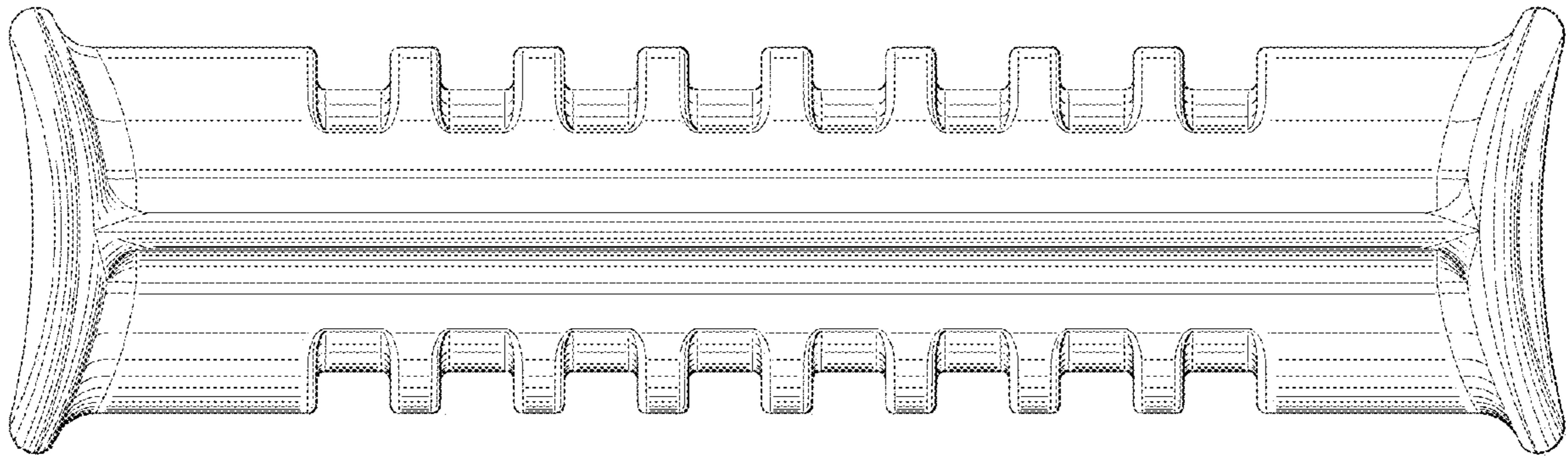


FIG. 6

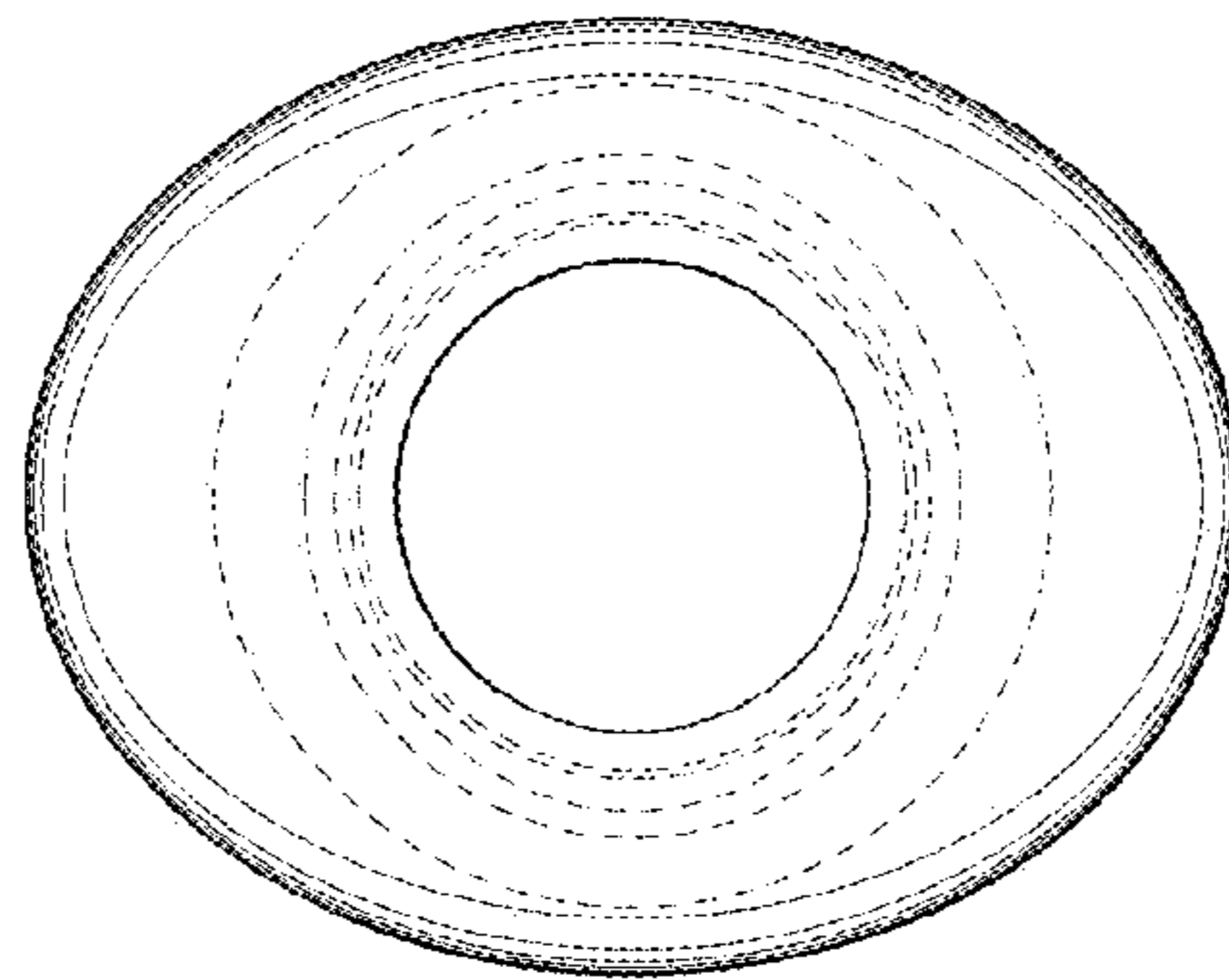


FIG. 7

