

US00D923783S

(12) **United States Design Patent** (10) **Patent No.:** **US D923,783 S**
Yemane-Tekeste et al. (45) **Date of Patent:** **** Jun. 29, 2021**

(54) **MEDICAL CONNECTOR**
(71) Applicant: **Becton Dickinson and Company Limited**, Dun Laoghaire (IE)
(72) Inventors: **Girum Yemane-Tekeste**, Hackensack, NJ (US); **Laurie Sanders**, Glen Ridge, NJ (US); **Jayeon Kim**, River Edge, NJ (US)
(73) Assignee: **Becton Dickinson and Company Limited**, Dun Laoghaire (IE)

D717,947 S 11/2014 Cederschiold
D720,067 S * 12/2014 Rosenquist D24/129
D720,451 S * 12/2014 Denenburg D24/129
9,089,474 B2 7/2015 Cederschiold
9,168,203 B2 10/2015 Rosenquist et al.
D747,472 S * 1/2016 Bradley D24/129
9,414,990 B2 8/2016 Ivosevic et al.
9,414,991 B2 8/2016 Sanders et al.
D773,659 S * 12/2016 Cain D24/129
9,597,260 B2 3/2017 Ivosevic et al.
D784,529 S * 4/2017 Steele D24/129
D785,170 S * 4/2017 Swisher D24/129
9,636,278 B2 5/2017 Sanders et al.

(Continued)

(**) Term: **15 Years**

FOREIGN PATENT DOCUMENTS

(21) Appl. No.: **29/736,235**

WO 2013176586 A1 11/2013
WO 2015069643 A1 5/2015
WO 2015164365 A1 10/2015

(22) Filed: **May 28, 2020**

Related U.S. Application Data

Primary Examiner — David G Muller

(62) Division of application No. 29/643,125, filed on Apr. 4, 2018, now Pat. No. Des. 888,945.

(74) *Attorney, Agent, or Firm* — The Webb Law Firm

(51) **LOC (13) Cl.** **24-02**

(57) **CLAIM**

(52) **U.S. Cl.**
USPC **D24/129**

The ornamental design for a medical connector, as shown and described.

(58) **Field of Classification Search**
USPC D24/127–131, 112–114, 133, 186;
606/181, 185; 604/264, 523–528, 272,
604/187, 158, 164.01–164.11, 181, 184,
604/227; 600/101, 139, 143;
128/200.24, 207.14, 207.15
CPC .. A61M 25/065; A61M 5/42; A61M 25/0612;
A61M 25/00; A61M 39/00; A61M 27/00;
A61M 25/0043; A61M 25/0067; A61F
2/958

DESCRIPTION

See application file for complete search history.

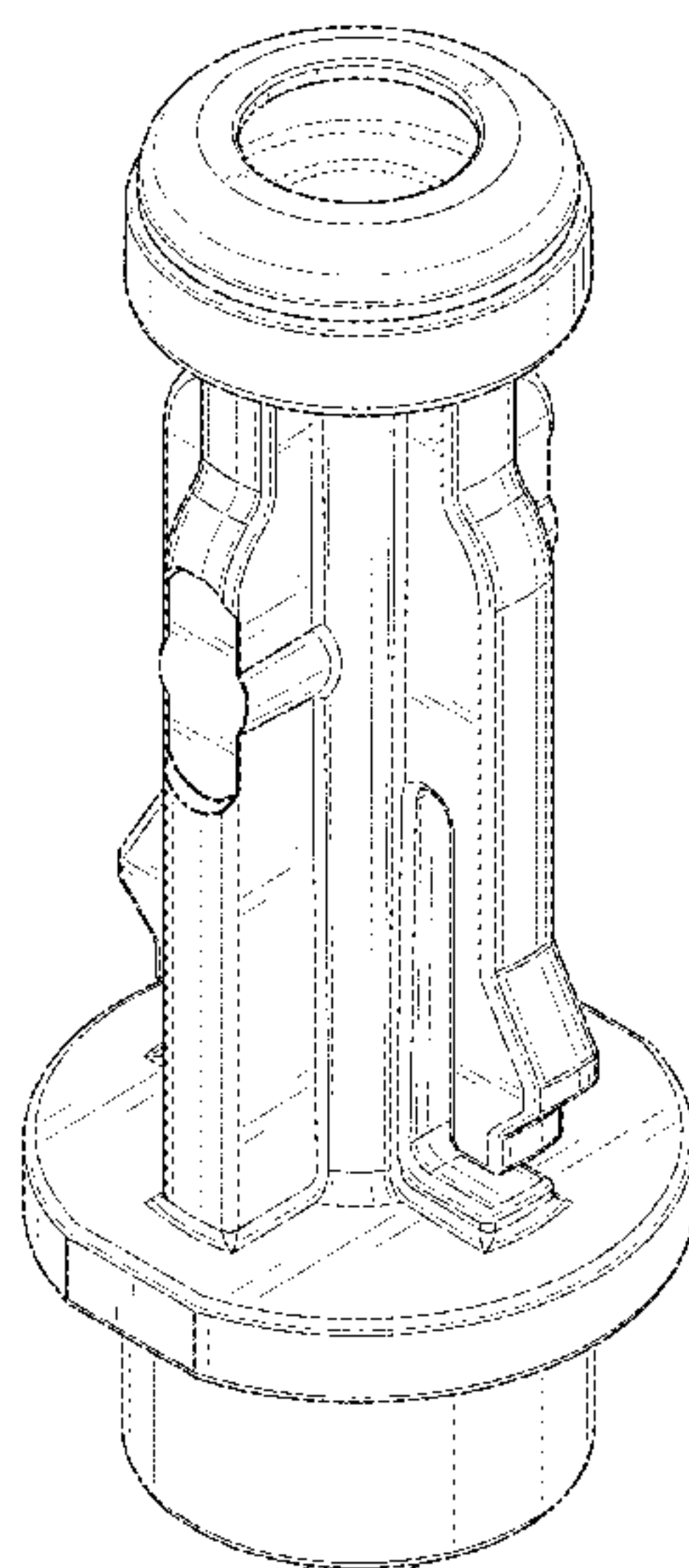
FIG. 1 is a perspective view of a medical connector showing our new design;
FIG. 2 is a front elevation view thereof;
FIG. 3 is a rear elevation view thereof;
FIG. 4 is a left side elevation view thereof;
FIG. 5 is a right side elevation view thereof;
FIG. 6 is a top plan view thereof; and,
FIG. 7 is a bottom plan view thereof.
Portions of the medical connector shown in dashed lines in FIGS. 1, 6, and 7 depict unclaimed portions of the medical connector that are included for environmental purposes only.

(56) **References Cited**

U.S. PATENT DOCUMENTS

D639,939 S * 6/2011 Klockars D24/129
D644,733 S * 9/2011 Ellis D24/130

1 Claim, 7 Drawing Sheets



(56)

References Cited

U.S. PATENT DOCUMENTS

9,642,775	B2	5/2017	Sanders et al.	
9,724,269	B2	8/2017	Sjogren et al.	
9,822,891	B2	11/2017	Cederschiold	
9,833,605	B2	12/2017	Sanders et al.	
9,855,192	B2	1/2018	Kim et al.	
9,919,826	B2	3/2018	Ivosevic et al.	
9,956,138	B2	5/2018	Ohlin	
9,968,771	B2	5/2018	Wong	
9,980,878	B2	5/2018	Marici et al.	
D845,474	S *	4/2019	Gloria Bello	D24/129
D846,737	S *	4/2019	Karasawa	D24/130
D849,936	S *	5/2019	Allard	D24/129
D849,938	S *	5/2019	Gloria Bello	D24/129
D851,243	S *	6/2019	Gloria Bello	D24/129
2014/0276649	A1	9/2014	Ivosevic et al.	
2015/0297451	A1	10/2015	Marici et al.	
2015/0297459	A1	10/2015	Sanders	
2016/0287475	A1	10/2016	Yevmenenko et al.	
2016/0361504	A1	12/2016	Kim et al.	
2017/0087297	A1	3/2017	Hanner et al.	
2018/0200145	A1	7/2018	Sanders et al.	
2018/0200146	A1	7/2018	Sanders et al.	
2018/0200147	A1	7/2018	Sanders	
2018/0200148	A1	7/2018	Sanders	
2018/0200498	A1	7/2018	Sanders	

* cited by examiner

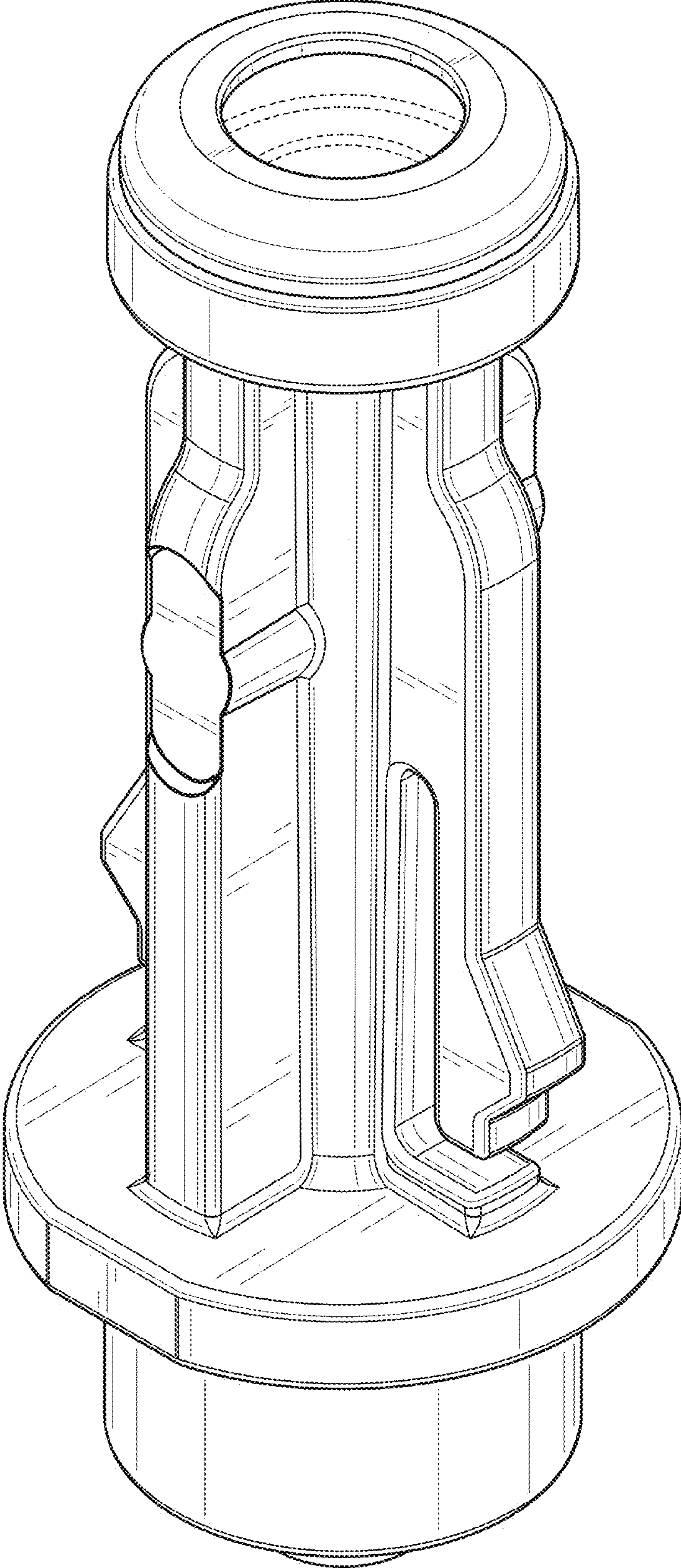


FIG. 1

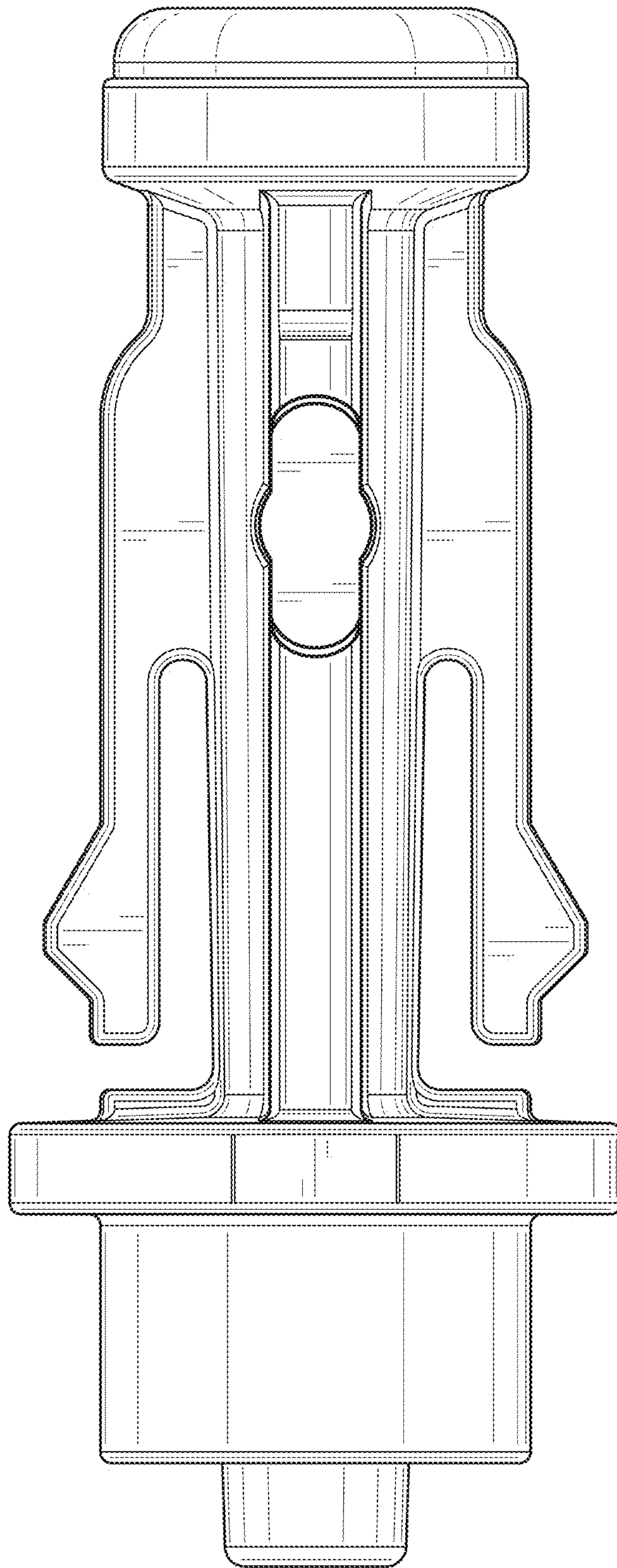


FIG. 2

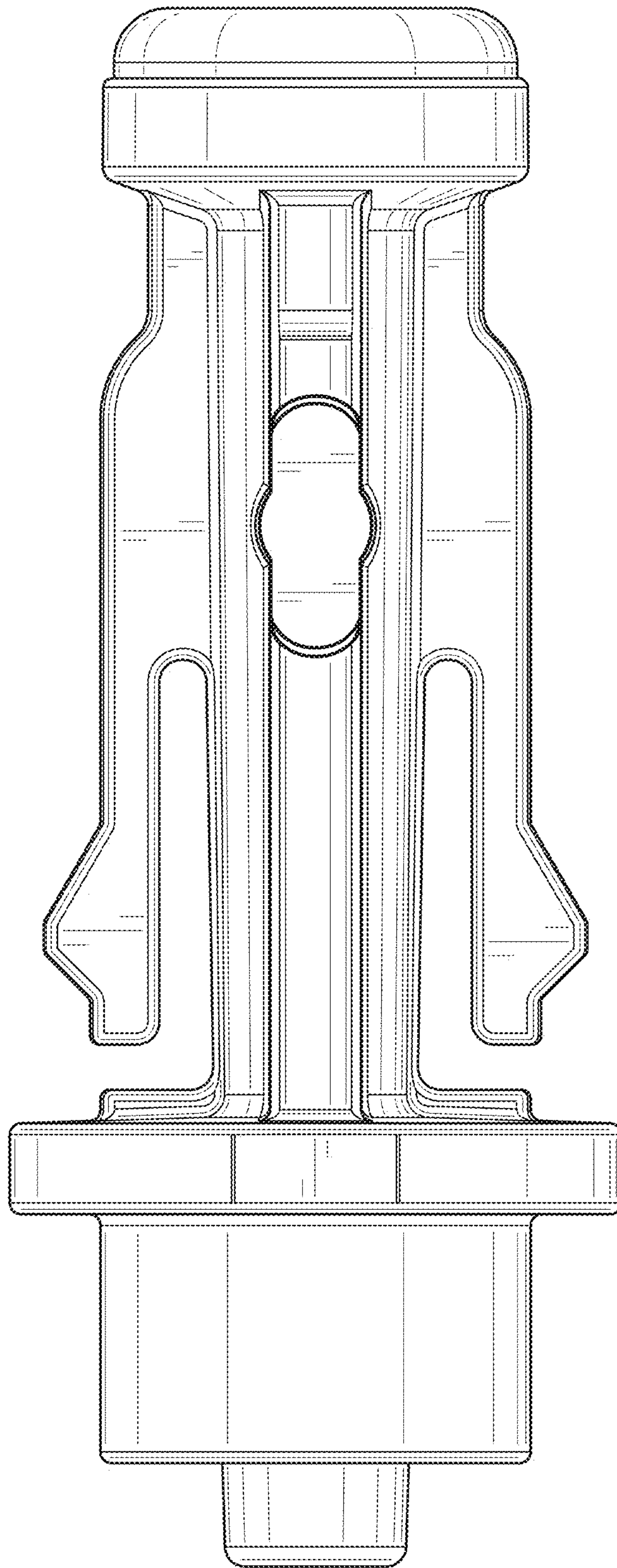


FIG. 3

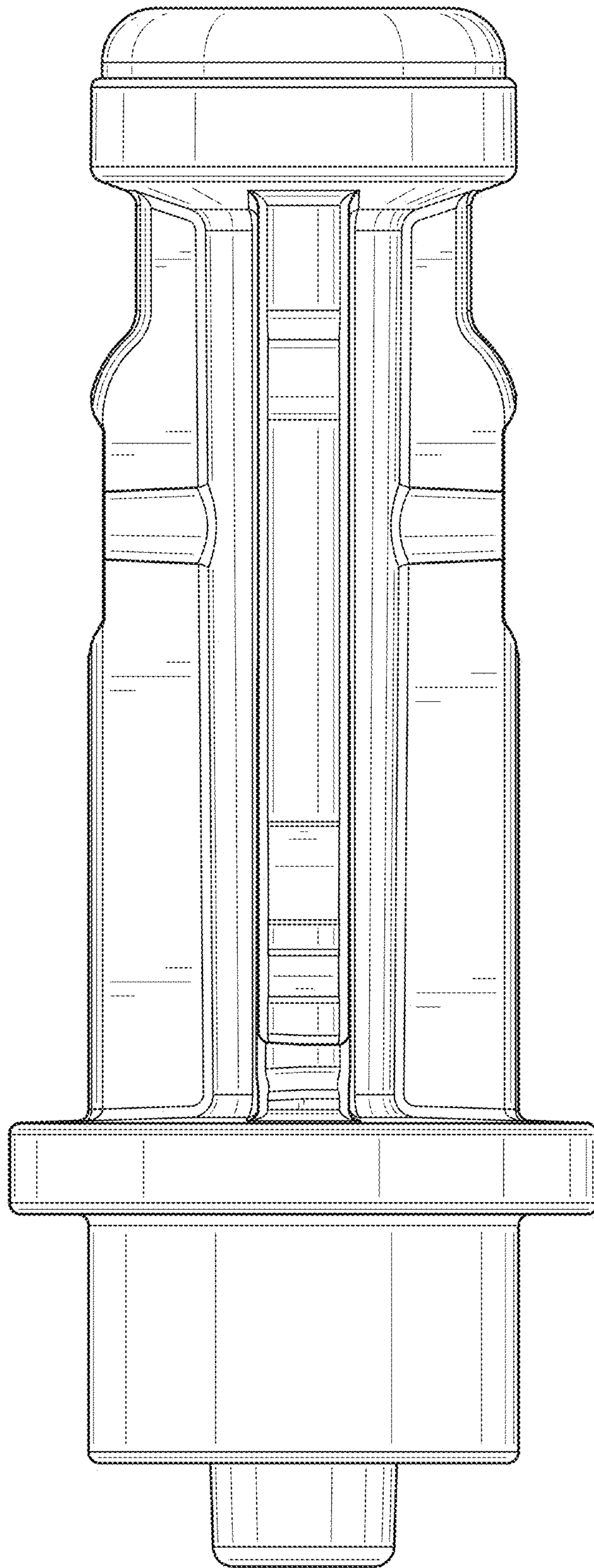


FIG. 4

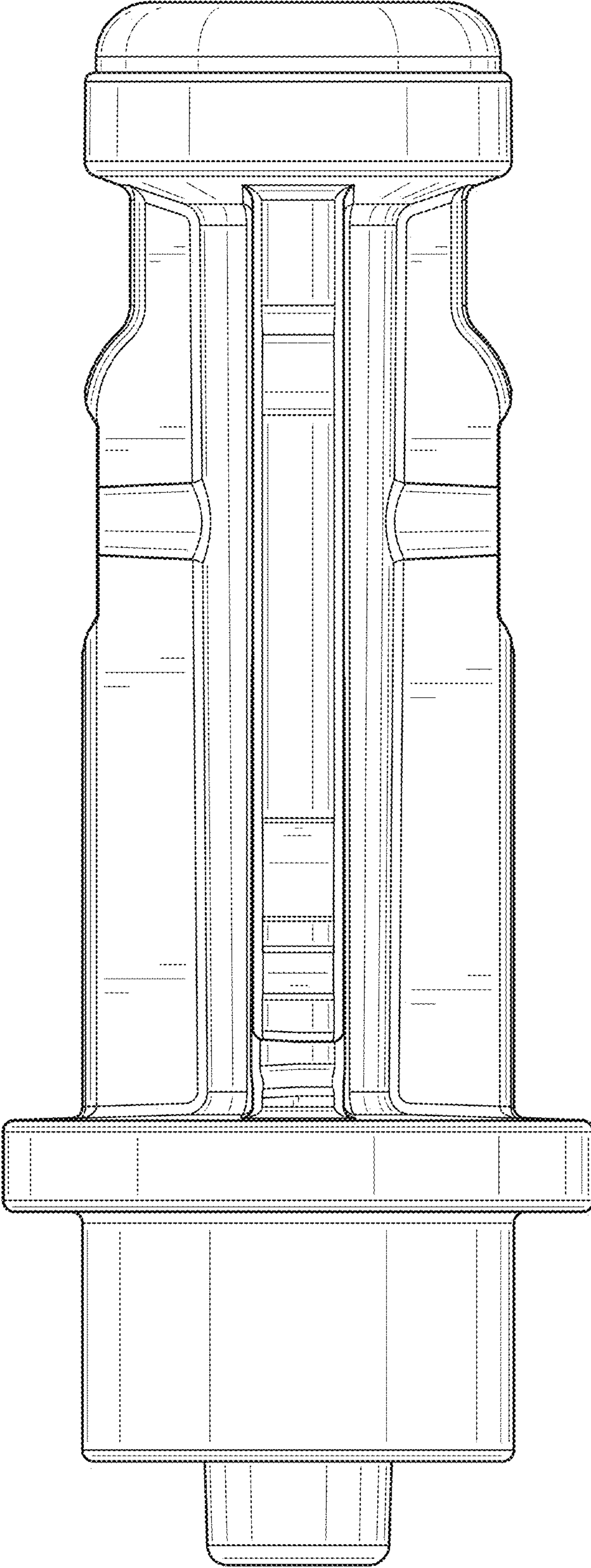


FIG. 5

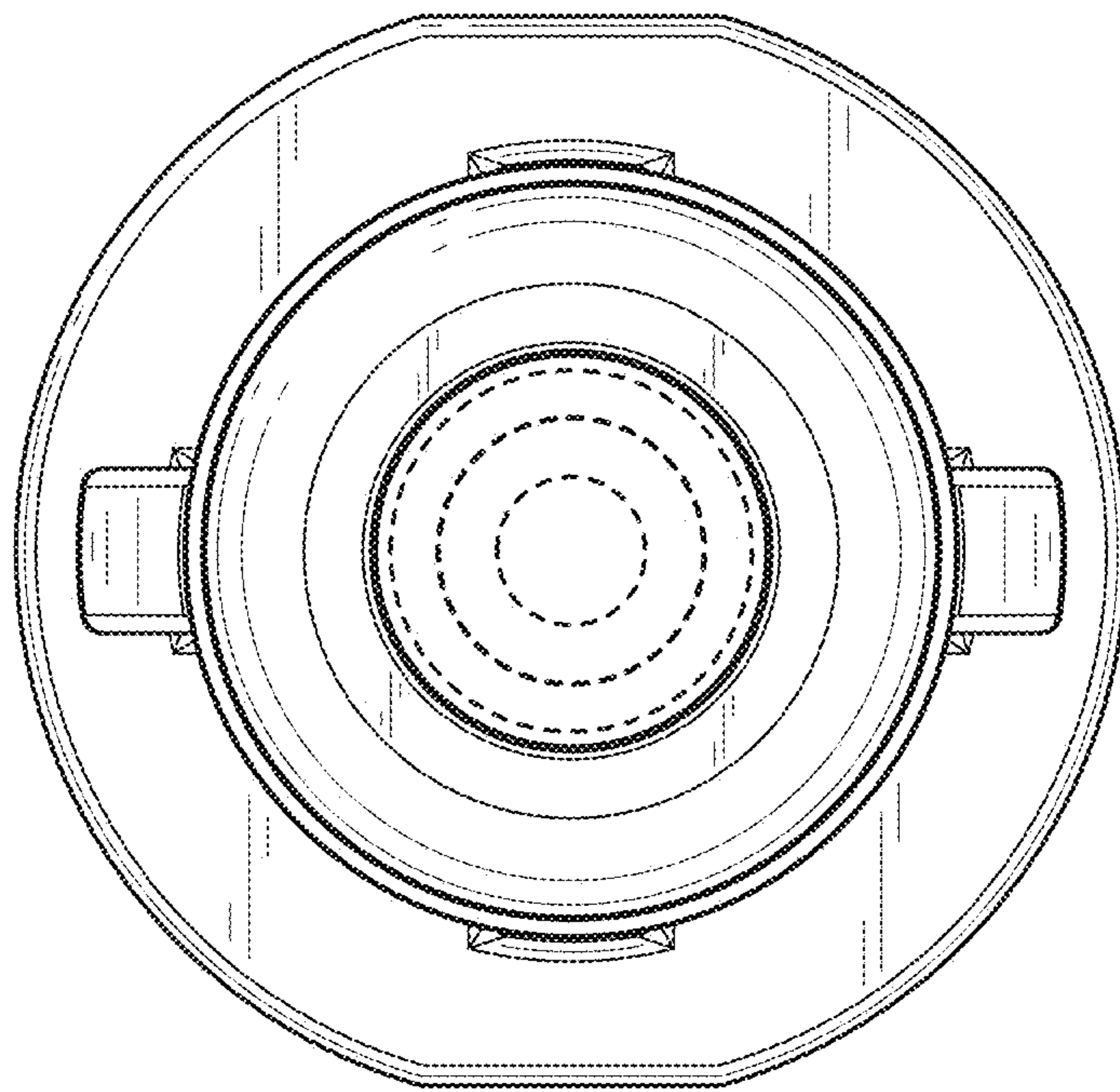


FIG. 6

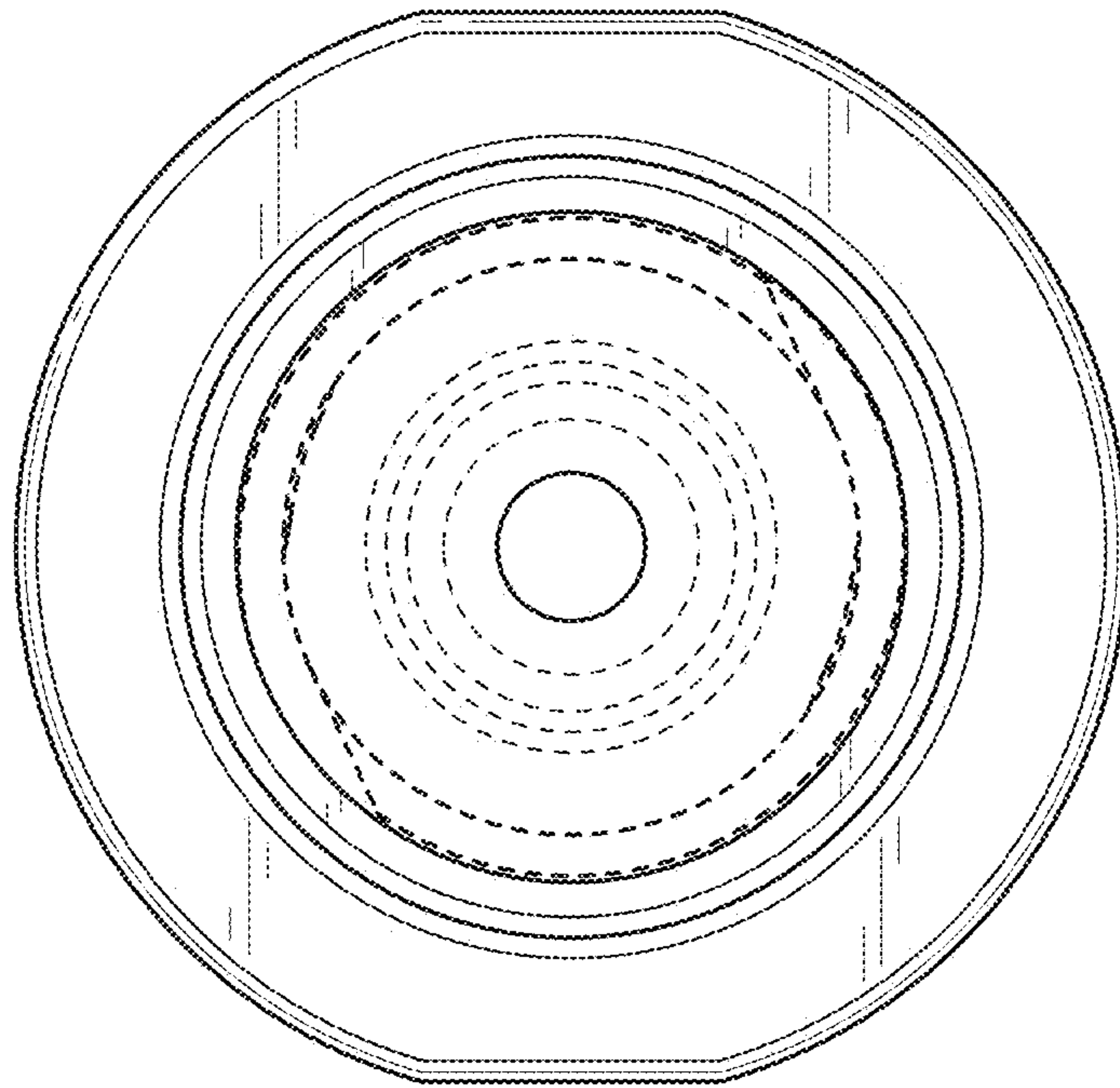


FIG. 7