

US00D923776S

(12) **United States Design Patent**
Hartman

(10) **Patent No.:** **US D923,776 S**

(45) **Date of Patent:** **** Jun. 29, 2021**

- (54) **NASAL SPRAY DEVICE**
- (71) Applicant: **Bryn Pharma, LLC**, Raleigh, NC (US)
- (72) Inventor: **Steven Hartman**, Beverly Hills, CA (US)
- (73) Assignee: **Bryn Pharma, LLC**, Raleigh, NC (US)
- (**) Term: **15 Years**
- (21) Appl. No.: **29/722,384**
- (22) Filed: **Jan. 29, 2020**
- (51) **LOC (13) Cl.** **24-02**
- (52) **U.S. Cl.**
USPC **D24/114**
- (58) **Field of Classification Search**
USPC D24/112-115, 108, 110, 130, 127, 133,
D24/186; 606/181, 185; 604/264,
604/523-528, 272, 164.01-164.11, 187,
604/93.01; 600/101, 139, 143;
128/200.24, 207.14, 207.15; D9/724
CPC A61M 2210/0618; A61M 1/008; A61M
25/00; A61M 39/00; A61M 27/00; A61M
25/0043; A61M 25/0067; A61M 25/0097;
A61F 2/958
See application file for complete search history.

- D551,569 S * 9/2007 Tanaka D9/724
- D552,231 S * 10/2007 Collins D24/110
- D604,166 S * 11/2009 Gallo D24/110
- D623,733 S * 9/2010 Busca D24/115
- D624,641 S * 9/2010 Boclet D24/110
- D627,057 S * 11/2010 Gallo D24/108
- D627,458 S * 11/2010 Bisson D24/115
- D629,884 S * 12/2010 Stephens D24/108
- D712,535 S * 9/2014 Du D24/115
- D801,830 S * 11/2017 Zhang D9/724

* cited by examiner

Primary Examiner — David G Muller

(74) *Attorney, Agent, or Firm* — Honigman LLP; Andrew N. Weber; Jonathan P. O'Brien

(57) **CLAIM**

I claim the ornamental design for a nasal spray device, as shown and described.

DESCRIPTION

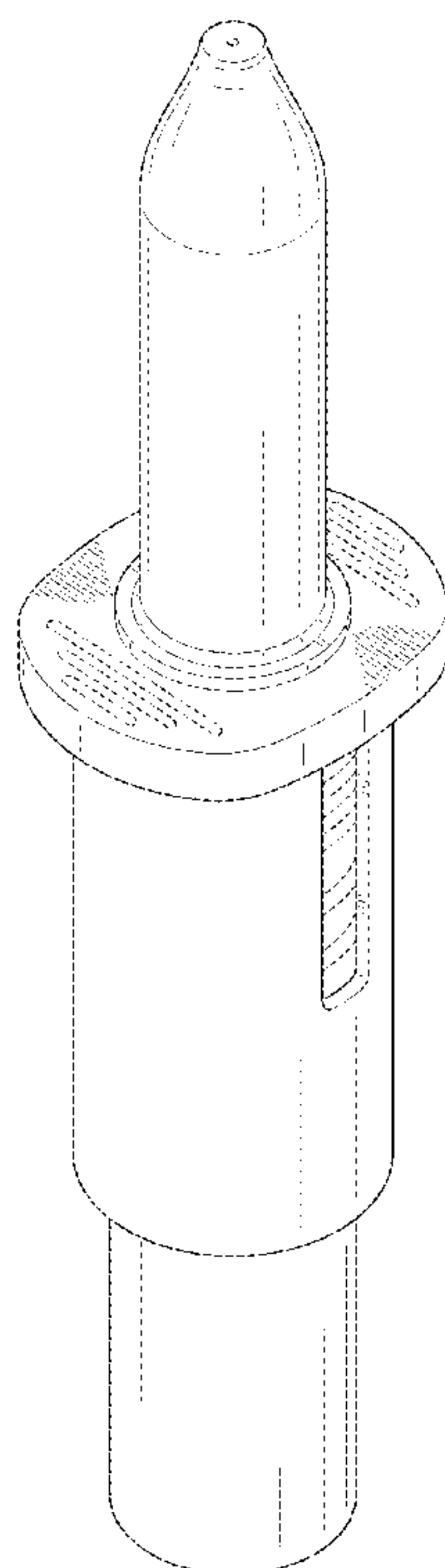
FIG. 1 is a front perspective view of a nasal spray device according to a first embodiment of our design;
 FIG. 2 is a back perspective view of the nasal spray device of FIG. 1;
 FIG. 3 is a front view thereof;
 FIG. 4 is a back view thereof;
 FIG. 5 is a right side view thereof;
 FIG. 6 is a left side view thereof;
 FIG. 7 is a top view thereof;
 FIG. 8 is a bottom view thereof; and,
 FIG. 9 is a bottom perspective view thereof.
 The broken lines in the drawings show portions of the nasal spray device that form no part of the claimed design.

1 Claim, 6 Drawing Sheets

(56) **References Cited**

U.S. PATENT DOCUMENTS

- D425,195 S * 5/2000 Hellstrom D24/115
- D444,227 S * 6/2001 Hennemann D24/115
- D545,218 S * 6/2007 Rushe D9/724



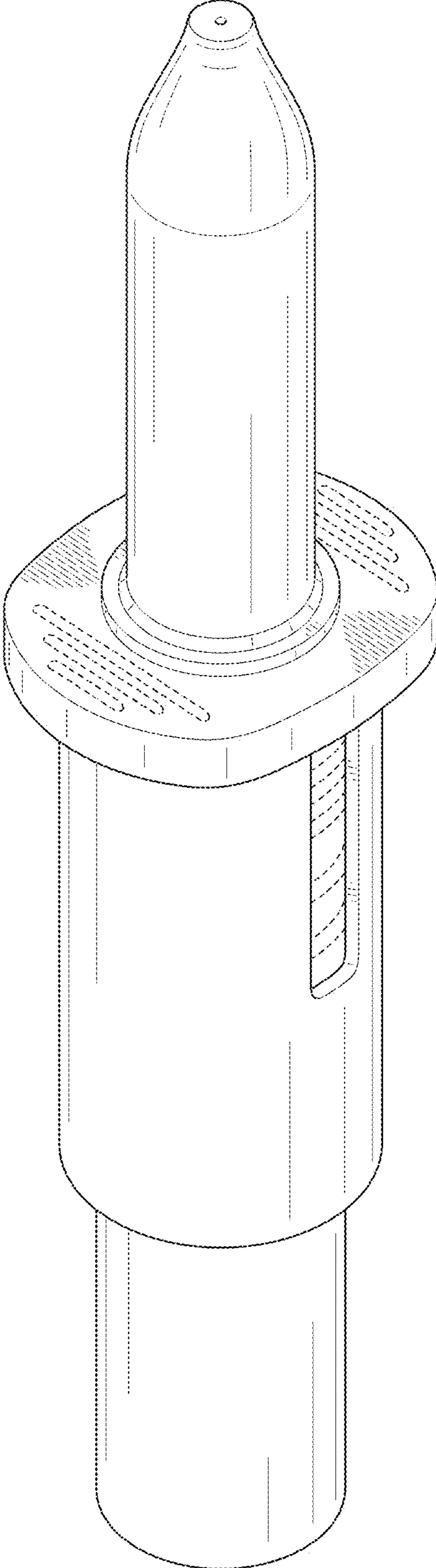


FIG. 1

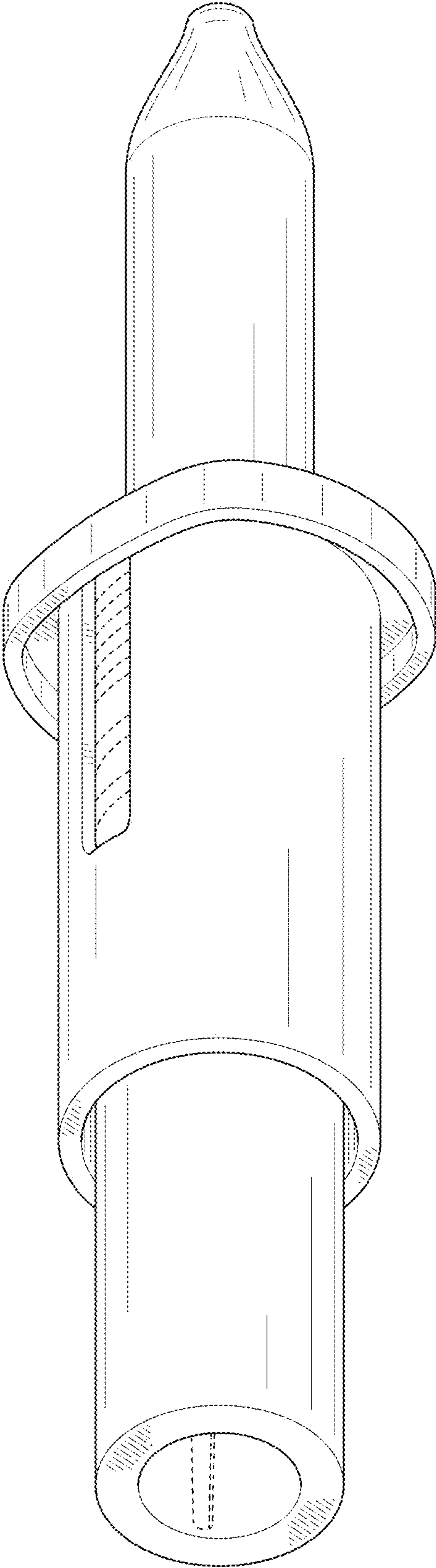


FIG. 2

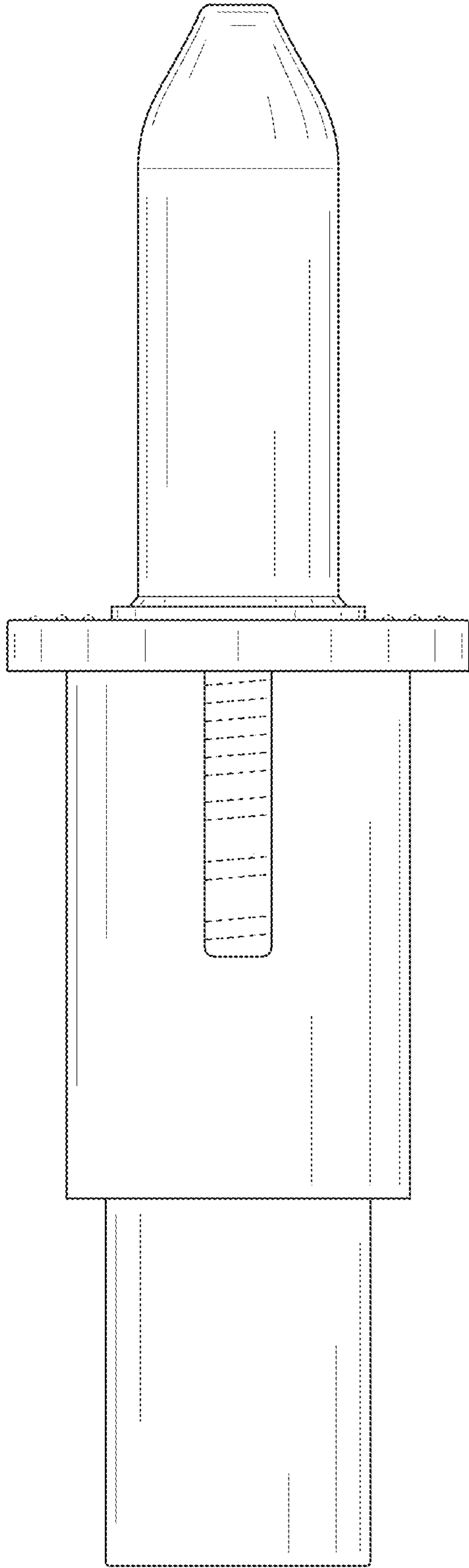


FIG. 3

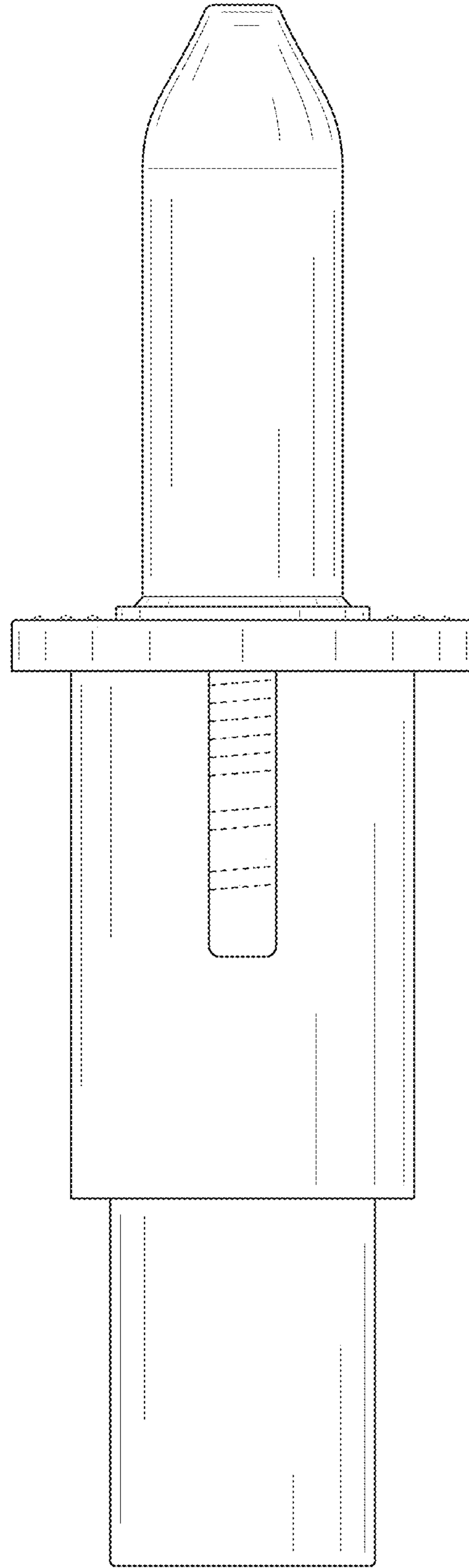


FIG. 4

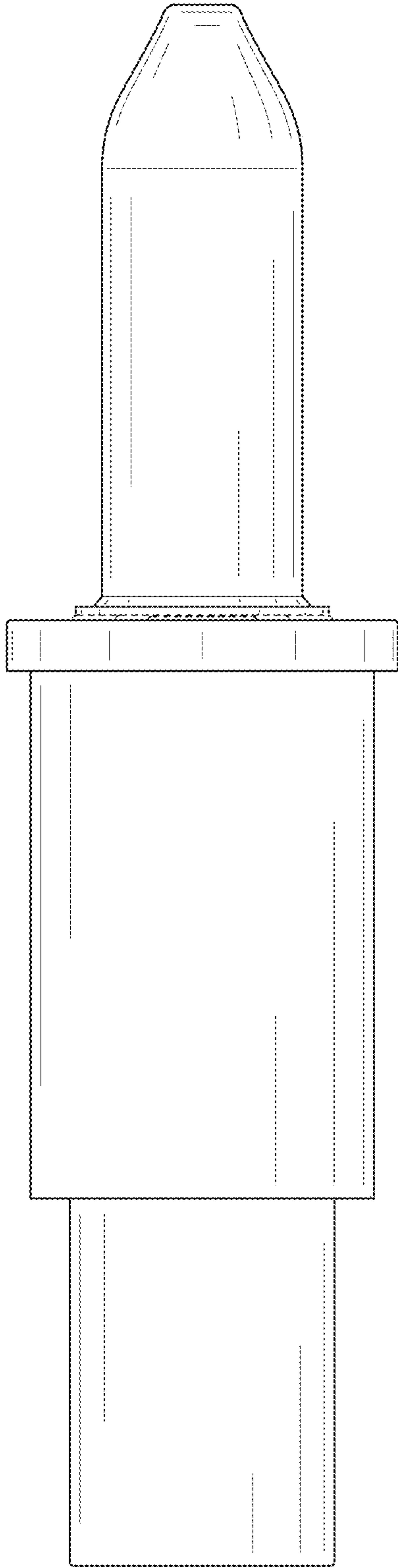


FIG. 5

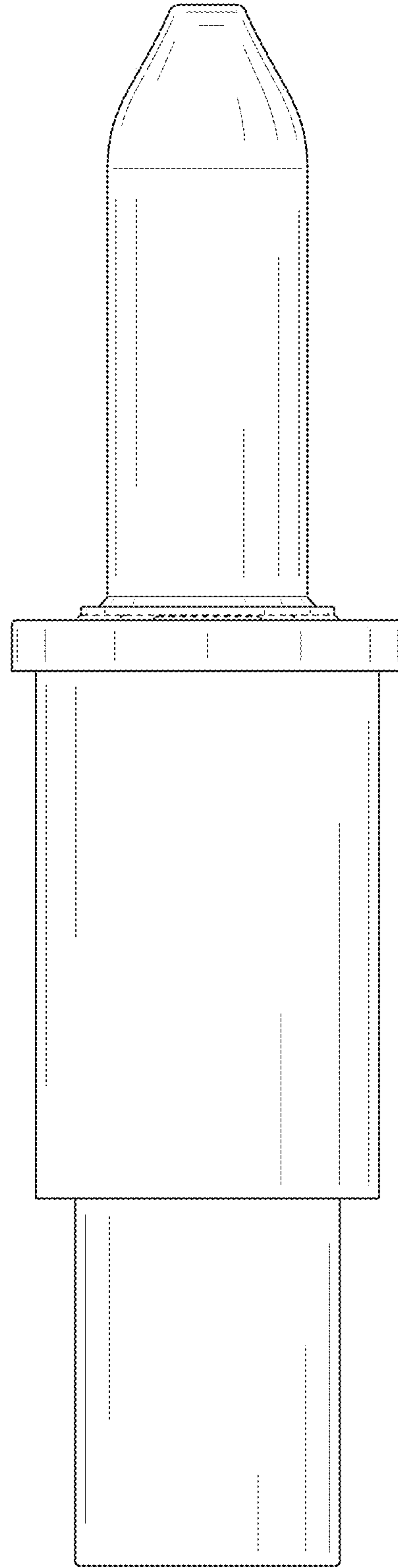


FIG. 6

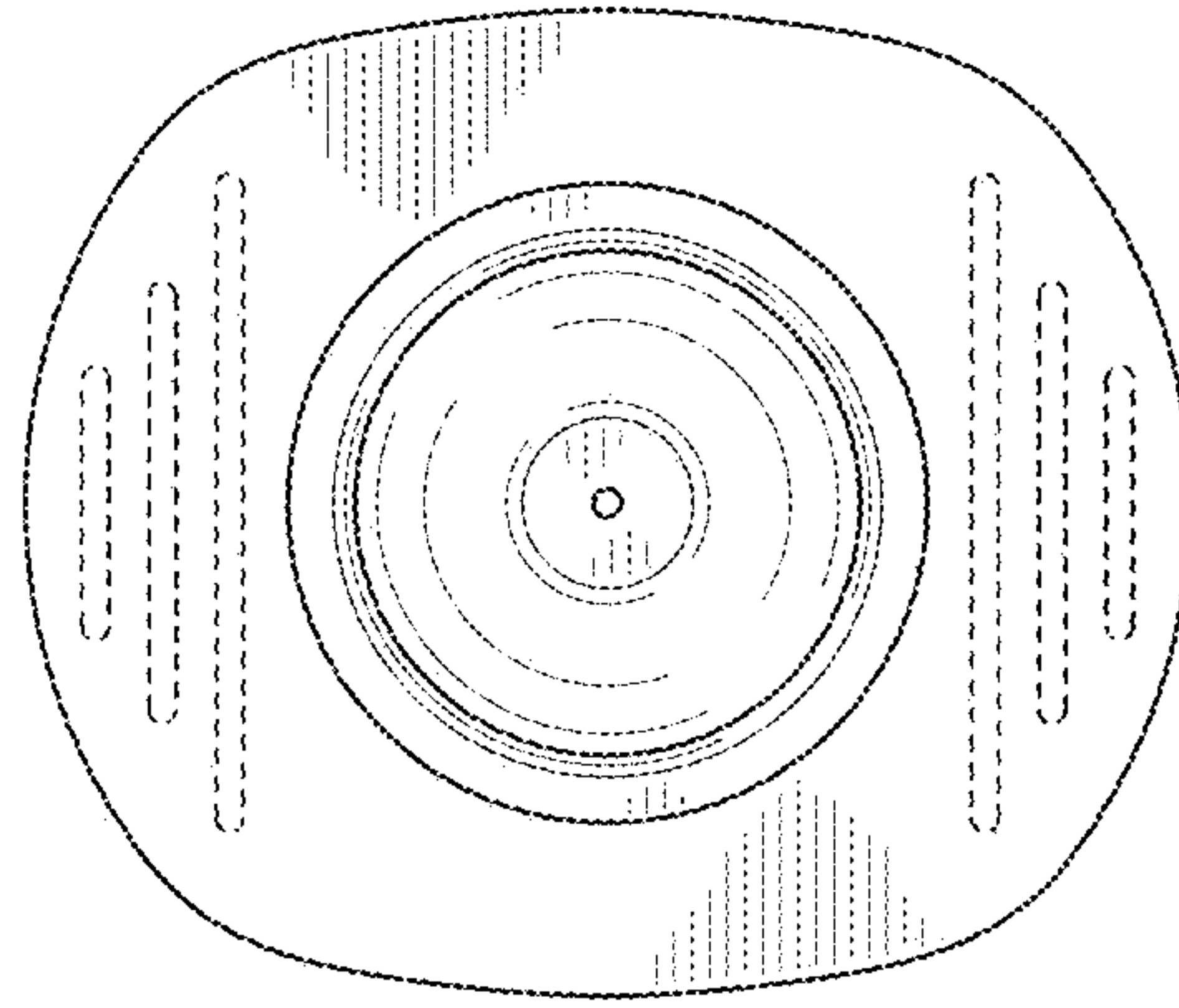


FIG. 7

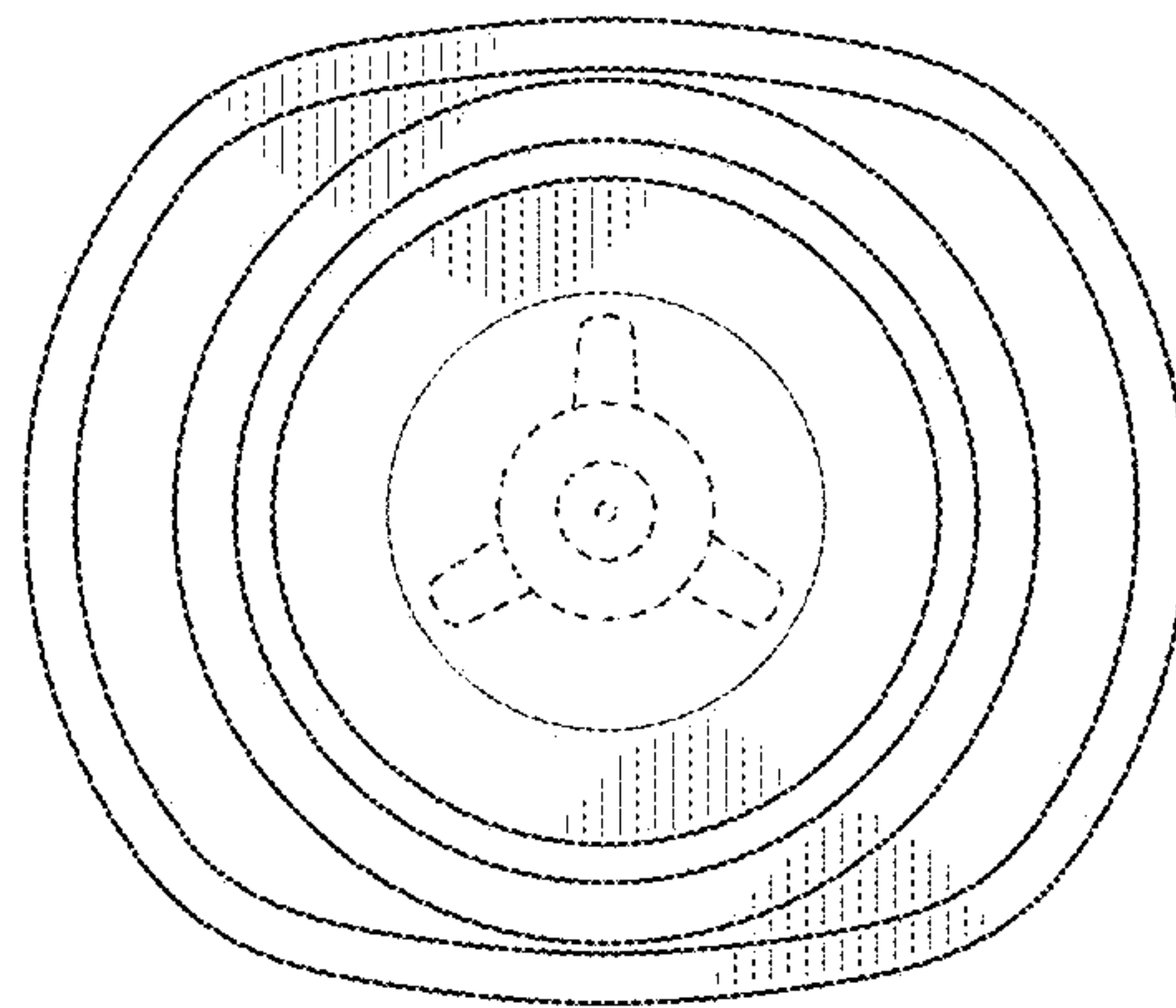


FIG. 8

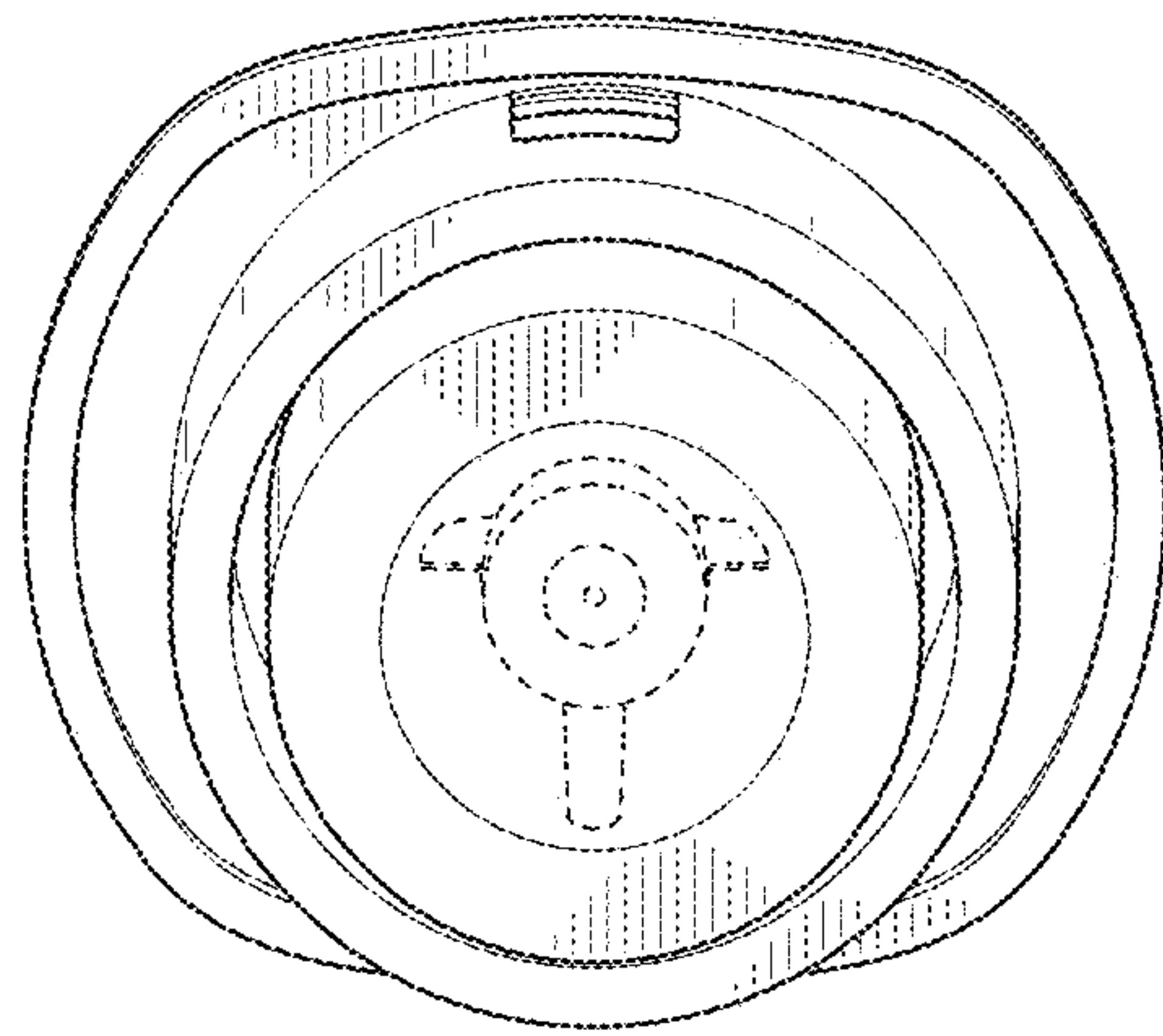


FIG. 9