



US00D923773S

(12) **United States Design Patent**  
**Wang**

(10) **Patent No.:** **US D923,773 S**  
(45) **Date of Patent:** **\*\* Jun. 29, 2021**

(54) **PORTABLE FAN**

(71) Applicant: **Shiliang Wang**, Guangdong (CN)

(72) Inventor: **Shiliang Wang**, Guangdong (CN)

(\*\*) Term: **15 Years**

(21) Appl. No.: **29/751,048**

(22) Filed: **Sep. 18, 2020**

(51) **LOC (13) Cl.** ..... **23-04**

(52) **U.S. Cl.**  
USPC ..... **D23/382**

(58) **Field of Classification Search**  
USPC ..... D23/332, 333, 335-337, 342, 351, 364,  
D23/370, 377-379, 381-383, 411-414;  
D26/59

CPC ..... F04D 25/088; F04D 29/388; F04D 29/34;  
F04D 25/08; F21V 33/0096  
See application file for complete search history.

(56) **References Cited**

**U.S. PATENT DOCUMENTS**

D387,154 S	*	12/1997	Chiang	.....	D23/332
D406,331 S	*	3/1999	Chan	.....	D23/382
D754,318 S	*	4/2016	Thirouin	.....	D23/382
D767,747 S		9/2016	Wang		
D837,963 S	*	1/2019	Xu	.....	D23/382
D841,796 S	*	2/2019	Freeland	.....	D23/382
D879,283 S	*	3/2020	Liao	.....	D23/382
D881,371 S	*	4/2020	Hollinger	.....	D23/382
D885,555 S	*	5/2020	Wang	.....	D23/382
D898,180 S	*	10/2020	Du	.....	D23/382
D902,373 S	*	11/2020	Xu	.....	D23/382
D905,843 S	*	12/2020	Chen	.....	D23/382
D907,187 S	*	1/2021	Li	.....	D23/382
D910,160 S	*	2/2021	Hsu	.....	D23/382

**OTHER PUBLICATIONS**

Mini Stroller Fan, amazon.com, [https://www.amazon.com/WiHoo-Stroller-Personal-Portable-Rechargeable/dp/B07Q37C1YB/ref=sr\\_1\\_2?dchild=1&keywords=Octopus%2BFan&qid=1614486951&sr=8-2&th=1](https://www.amazon.com/WiHoo-Stroller-Personal-Portable-Rechargeable/dp/B07Q37C1YB/ref=sr_1_2?dchild=1&keywords=Octopus%2BFan&qid=1614486951&sr=8-2&th=1) (Year: 2020).\*

Mini Octopus Fan, amazon.com, [https://www.amazon.com/Handheld-Stroller-Octopus-Flexible-Rechargeable/dp/B0892JD4XY/ref=sr\\_1\\_5?dchild=1&keywords=Octopus+Fan&qid=1614486951&sr=8-5](https://www.amazon.com/Handheld-Stroller-Octopus-Flexible-Rechargeable/dp/B0892JD4XY/ref=sr_1_5?dchild=1&keywords=Octopus+Fan&qid=1614486951&sr=8-5) (Year: 2020).\*

Mini Portable Octopus Fan, amazon.com, [https://www.amazon.com/Portable-Octopus-Handheld-Adjustable-Stroller/dp/B088PNFB6K/ref=sr\\_1\\_11?dchild=1&keywords=Octopus%2BFan&qid=1614486951&sr=8-11&th=1#customerReviews](https://www.amazon.com/Portable-Octopus-Handheld-Adjustable-Stroller/dp/B088PNFB6K/ref=sr_1_11?dchild=1&keywords=Octopus%2BFan&qid=1614486951&sr=8-11&th=1#customerReviews) (Year: 2020).\*

Mini Fan Flexible Tripod, amazon.com [https://www.amazon.com/Portable-Handheld-Personal-Circulator-Rotatable/dp/B07WC6JCYL/ref=sr\\_1\\_13?dchild=1&keywords=Octopus%2BFan&qid=1614486951&sr=8-13&th=1](https://www.amazon.com/Portable-Handheld-Personal-Circulator-Rotatable/dp/B07WC6JCYL/ref=sr_1_13?dchild=1&keywords=Octopus%2BFan&qid=1614486951&sr=8-13&th=1) (Year: 2019).\*

\* cited by examiner

*Primary Examiner* — Janice Hallmark

(57) **CLAIM**

The ornamental design for a portable fan, as shown and described.

**DESCRIPTION**

FIG. 1 is a front and top perspective view of a portable fan, showing my new design;

FIG. 2 is a rear and bottom perspective view thereof;

FIG. 3 is a front elevational view thereof;

FIG. 4 is a rear elevational view thereof;

FIG. 5 is a left side elevational view thereof;

FIG. 6 is a right side elevational view thereof;

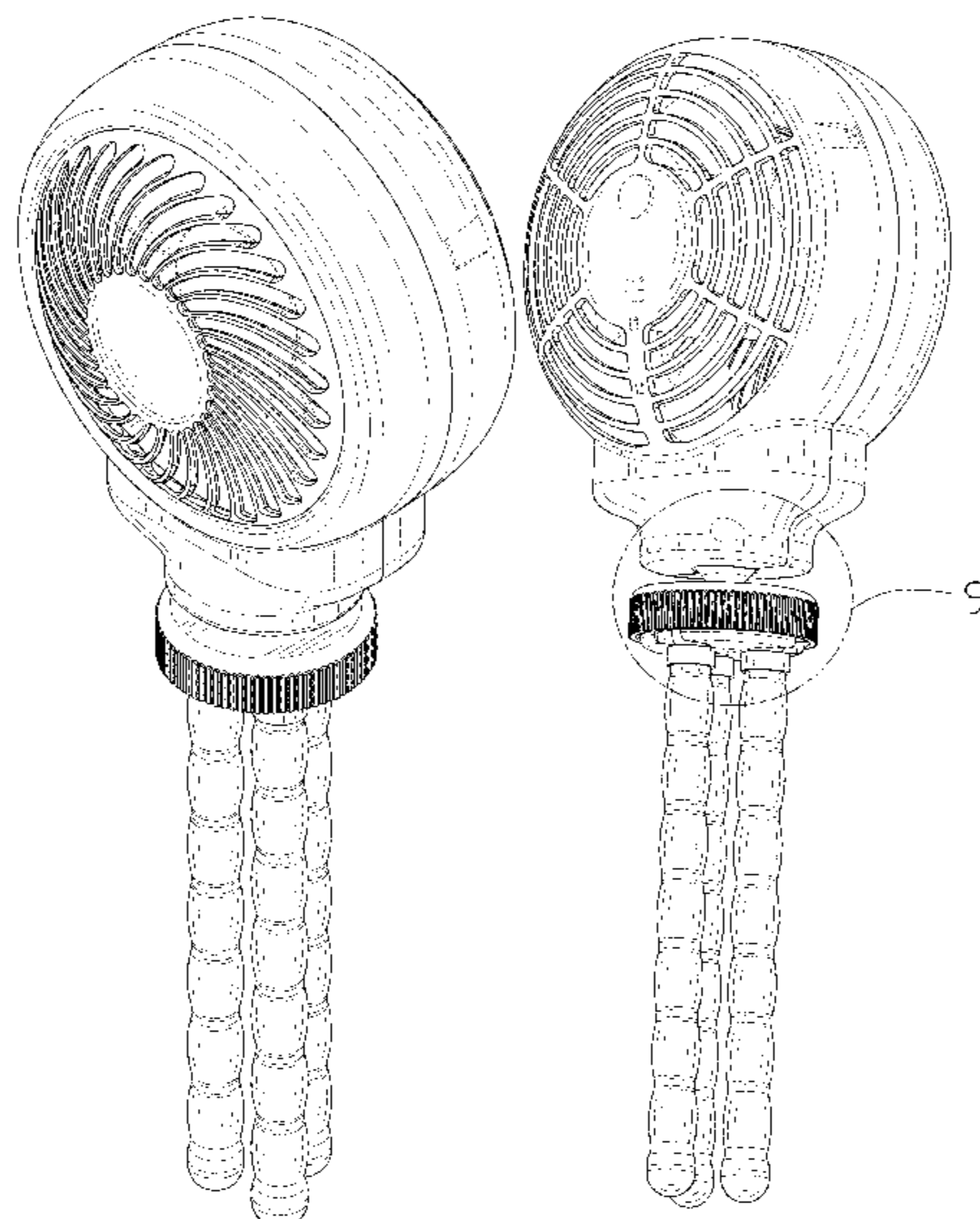
FIG. 7 is a top plan view thereof;

FIG. 8 is a bottom plan view thereof; and,

FIG. 9 is an enlarged view of a portion indicated with numeric 9 in FIG. 2.

The dash dot dash lines in FIGS. 2 and 9 are for the purpose of depicting the cut line of the enlarged view and form no part of the claim. The dashed broken lines in the figures illustrate portions of the portable fan that form no part of the claimed design.

**1 Claim, 9 Drawing Sheets**



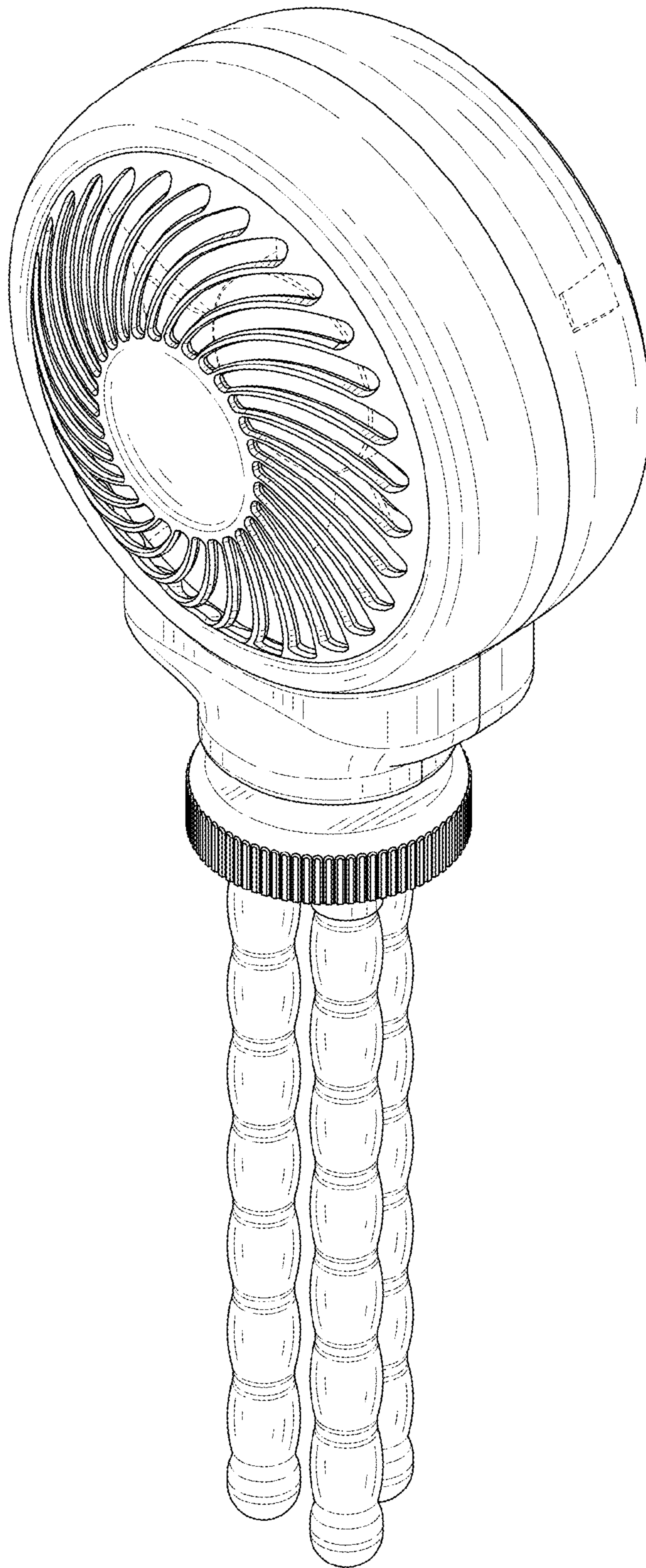


FIG. 1

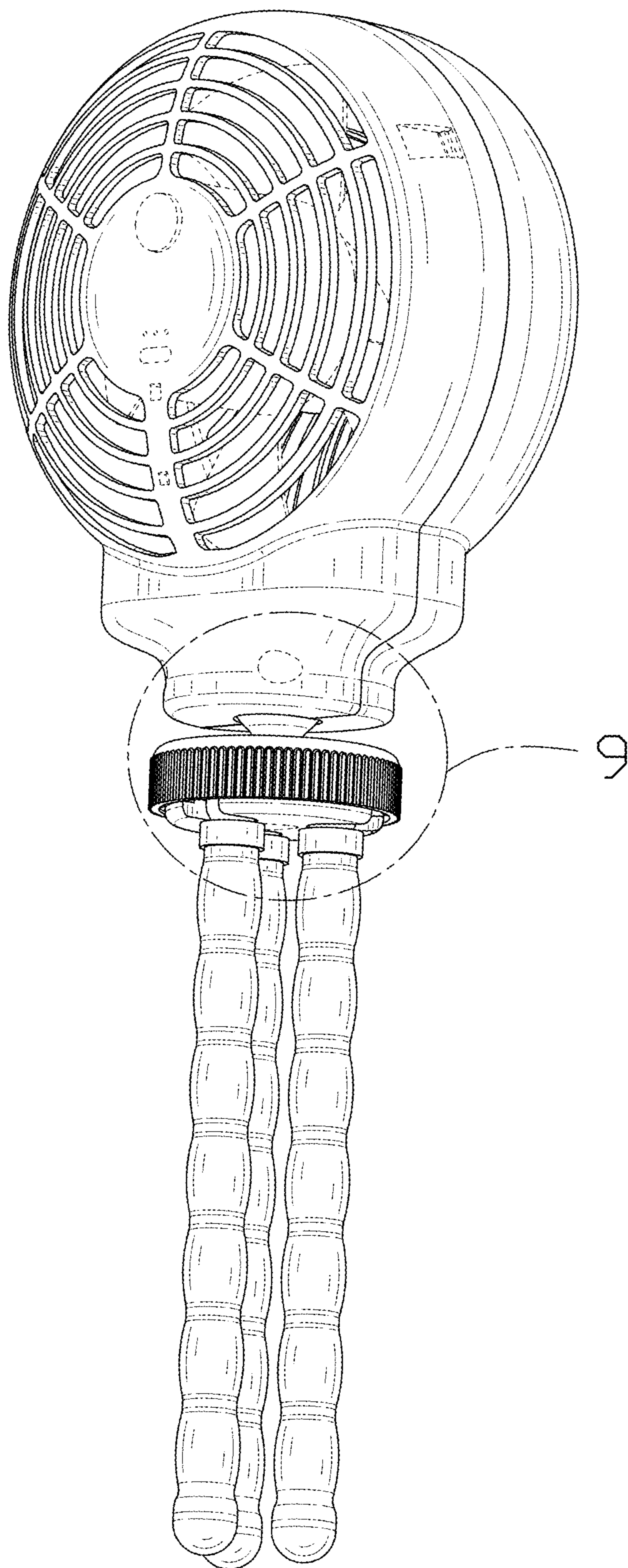


FIG. 2

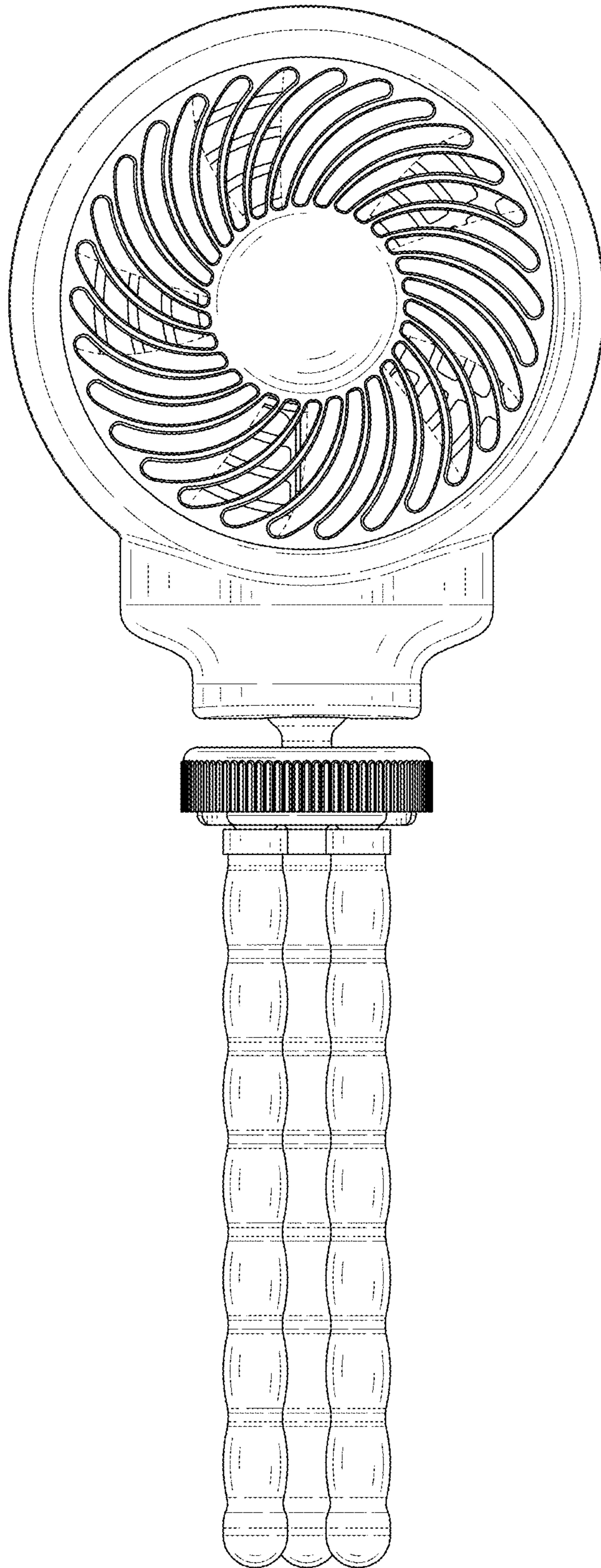


FIG. 3

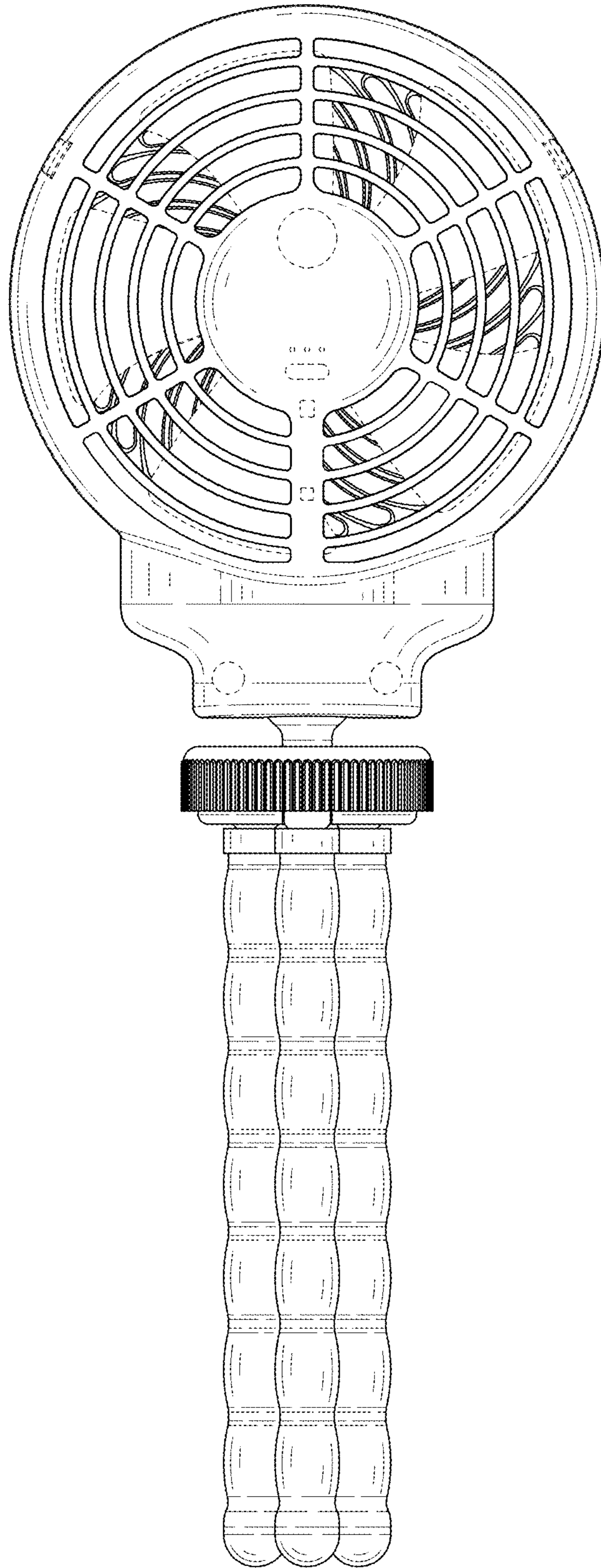


FIG. 4

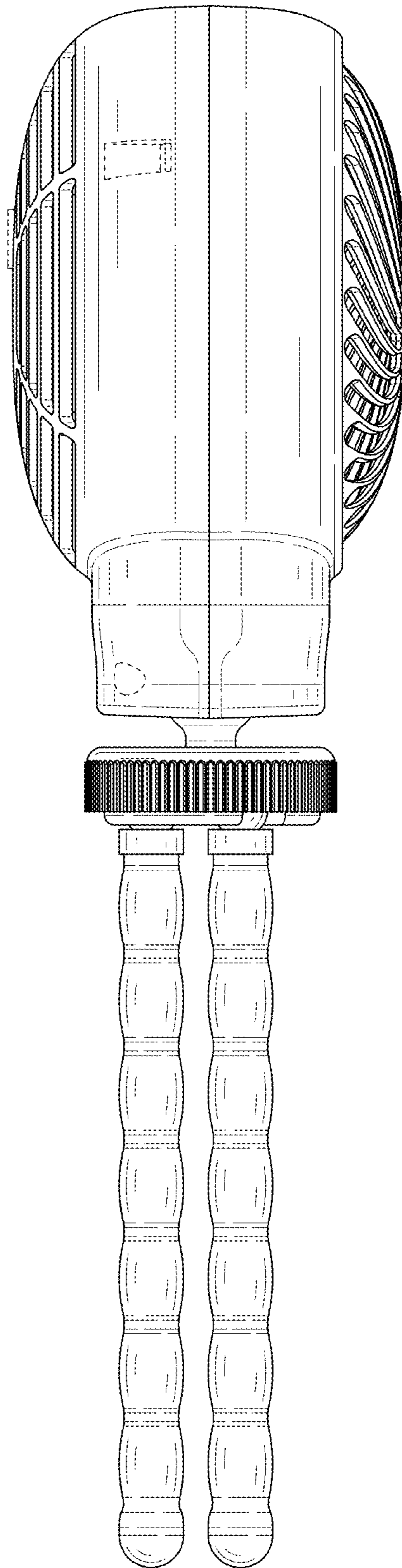


FIG. 5

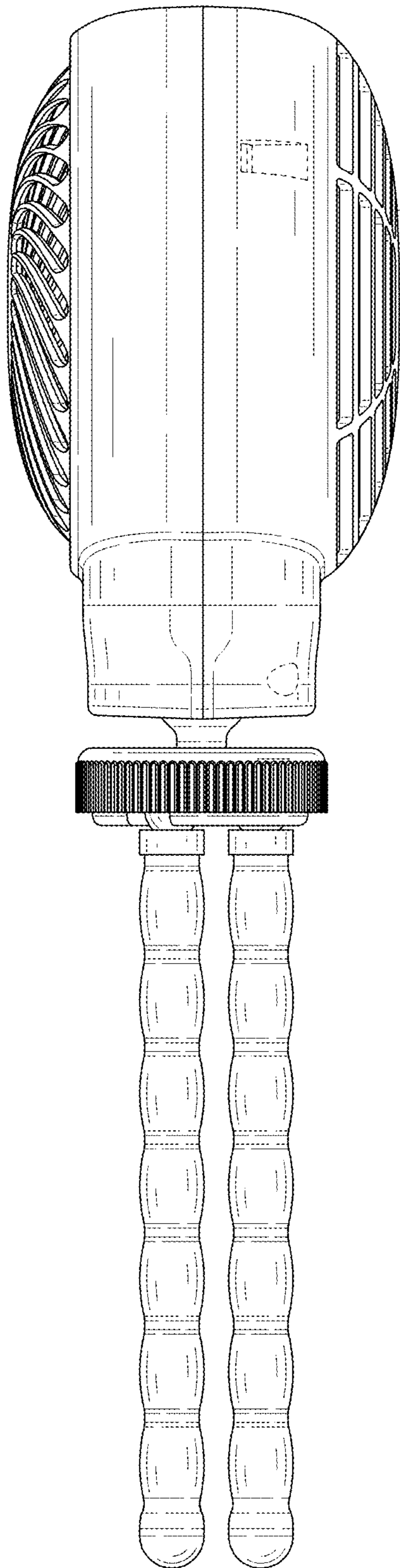


FIG. 6

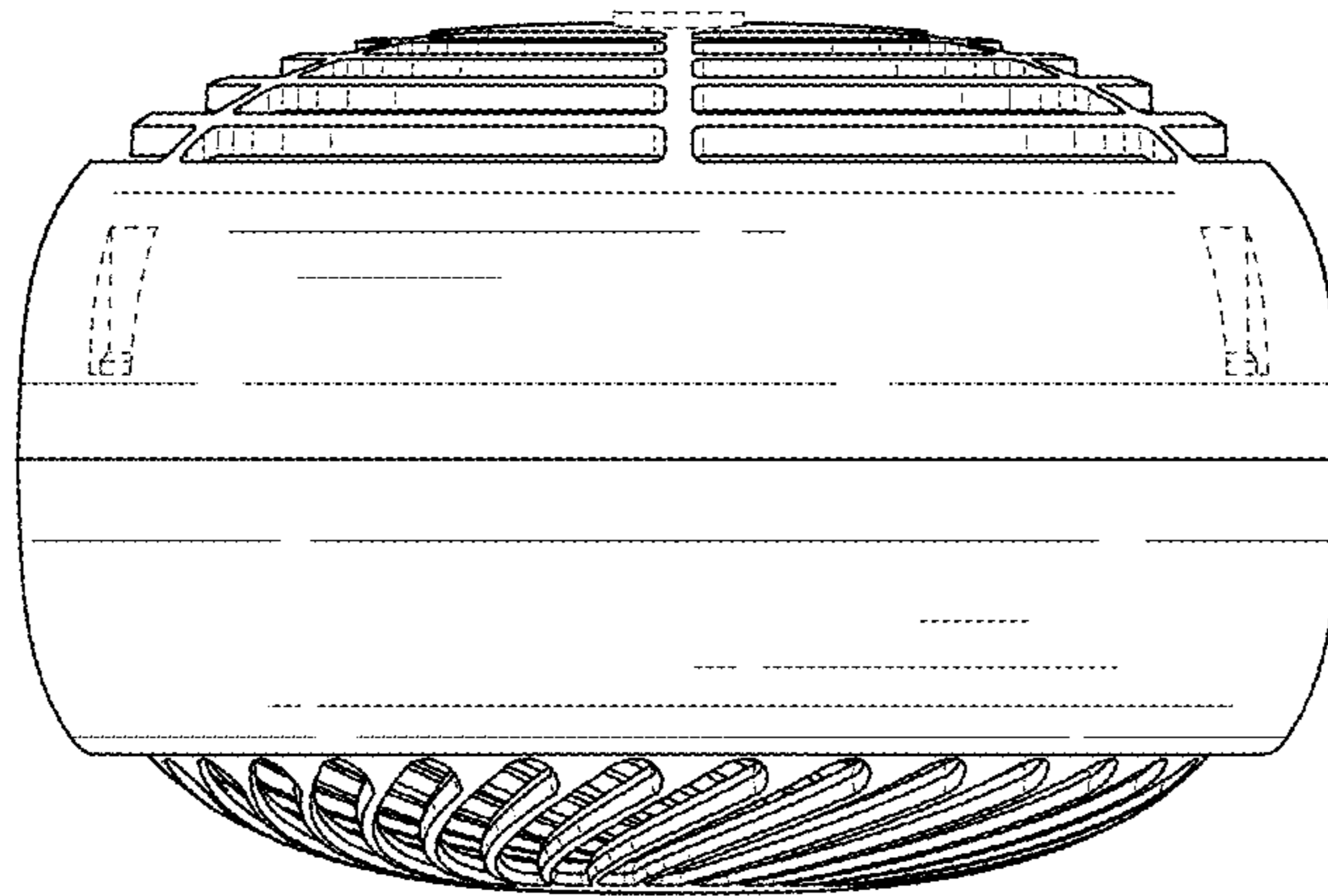


FIG. 7



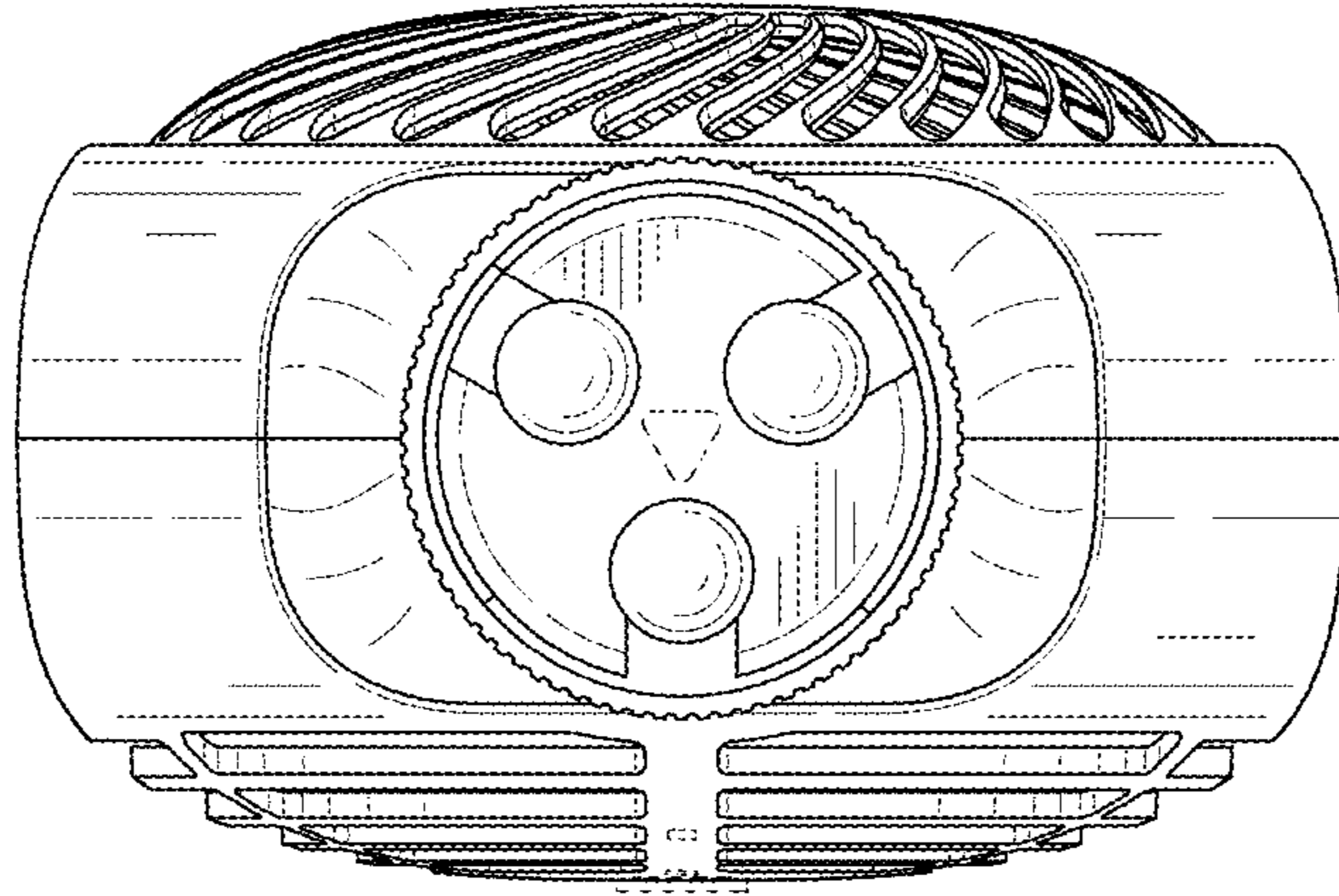


FIG. 8

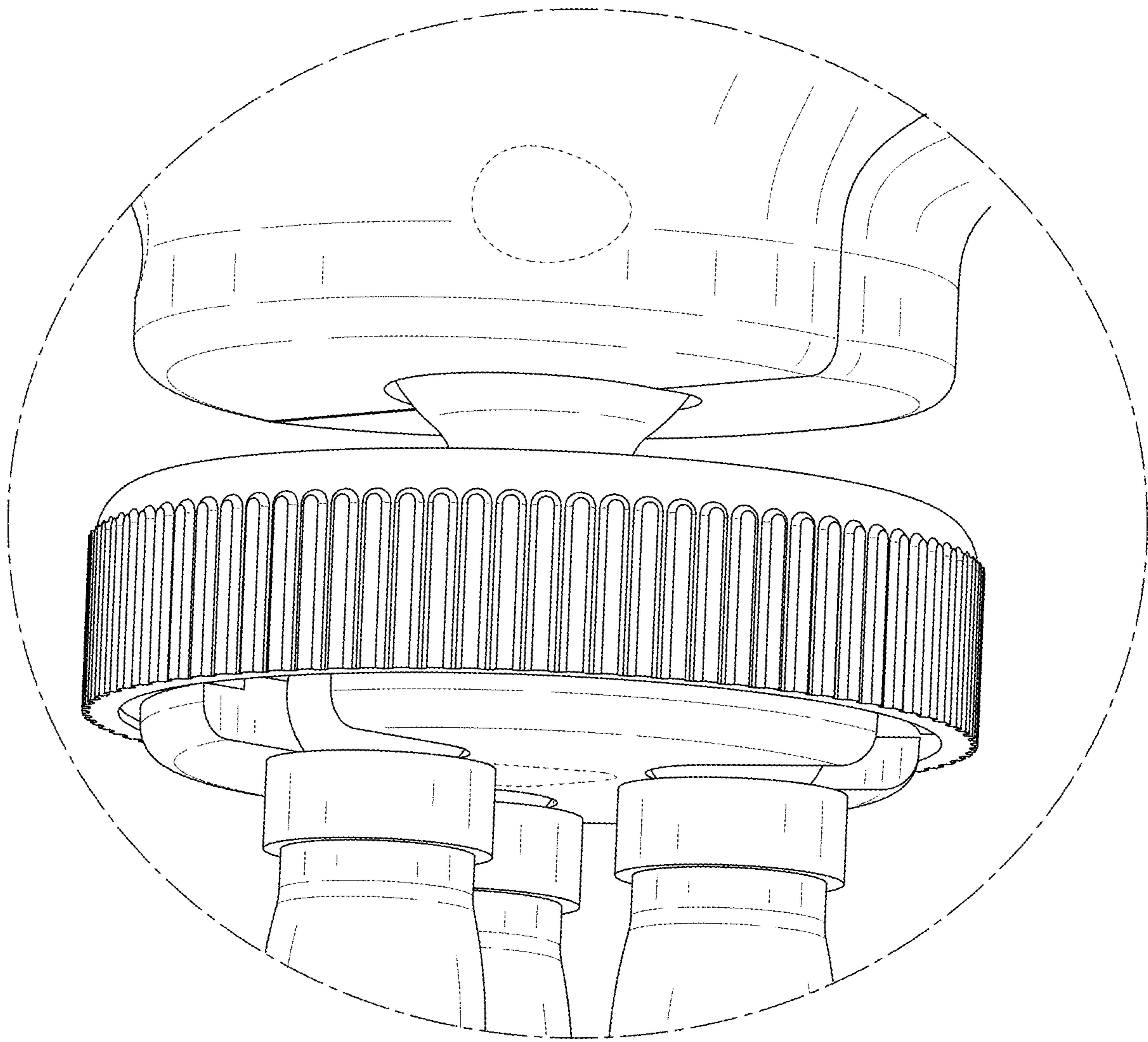


FIG. 9