



US00D923770S

(12) **United States Design Patent**
Holmes

(10) **Patent No.:** **US D923,770 S**

(45) **Date of Patent:** **** Jun. 29, 2021**

(54) **CEILING FAN**

(71) Applicant: **HUNTER FAN COMPANY,**
Memphis, TN (US)

(72) Inventor: **Christine Holmes,** Memphis, TN (US)

(73) Assignee: **Hunter Fan Company,** Memphis, TN
(US)

(**) Term: **15 Years**

(21) Appl. No.: **29/739,030**

(22) Filed: **Jun. 22, 2020**

Related U.S. Application Data

(60) Continuation of application No. 29/723,826, filed on Feb. 11, 2020, now Pat. No. Des. 894,458, which is a continuation of application No. 29/644,200, filed on Apr. 16, 2018, now Pat. No. Des. 880,034, which is a continuation of application No. 29/619,325, filed on Sep. 28, 2017, now Pat. No. Des. 875,288, which is a division of application No. 29/588,573, filed on Dec. 21, 2016, now Pat. No. Des. 808,002.

(51) **LOC (13) Cl.** **23-04**

(52) **U.S. Cl.**
USPC **D23/377**

(58) **Field of Classification Search**
USPC D23/370, 377, 379, 385, 411; D26/59
CPC F04D 25/088; F21V 33/0096
See application file for complete search history.

(56) **References Cited**

U.S. PATENT DOCUMENTS

D298,454 S	11/1988	Clyde-Mason
D300,372 S	3/1989	O'Dohanue
D325,776 S	4/1992	Scofield et al.
D345,790 S	4/1994	Caldwell
D411,615 S	6/1999	Lo
D428,982 S	8/2000	Oldenburg
D430,280 S	8/2000	Huang

D430,930 S	9/2000	Zuege
D435,289 S	12/2000	Liu
D449,396 S	10/2001	Campbell
D451,191 S	11/2001	Goodman
D462,756 S	9/2002	Liu
D464,722 S	10/2002	Sonneman
D476,406 S	6/2003	Friedes

(Continued)

OTHER PUBLICATIONS

<https://www.lowes.com/pd/Hunter-Allegheny-52-in-New-Bronze-Flush-Mount-Indoor-Outdoor-Ceiling-Fan-with-Light-Kit/3819969>, Hunter Allegheny 52-in. New Bronze Flush Mouny Indoor/Outdoor Ceiling Fan with Light Kit, accessed Apr. 6, 2018.

(Continued)

Primary Examiner — Janice Hallmark

(74) *Attorney, Agent, or Firm* — McGarry Bair PC

(57) **CLAIM**

The ornamental design for a ceiling fan, as shown and described.

DESCRIPTION

This application is related to U.S. patent application Ser. No. 29/716,630, filed on Dec. 11, 2019, currently allowed, and U.S. patent application Ser. No. 29/718,907, filed on Dec. 30, 2019, also currently allowed.

FIG. 1 is a top perspective view of a ceiling fan showing my new design;

FIG. 2 is a bottom perspective view thereof;

FIG. 3 is a top view thereof;

FIG. 4 is a bottom view thereof;

FIG. 5 is a front view thereof;

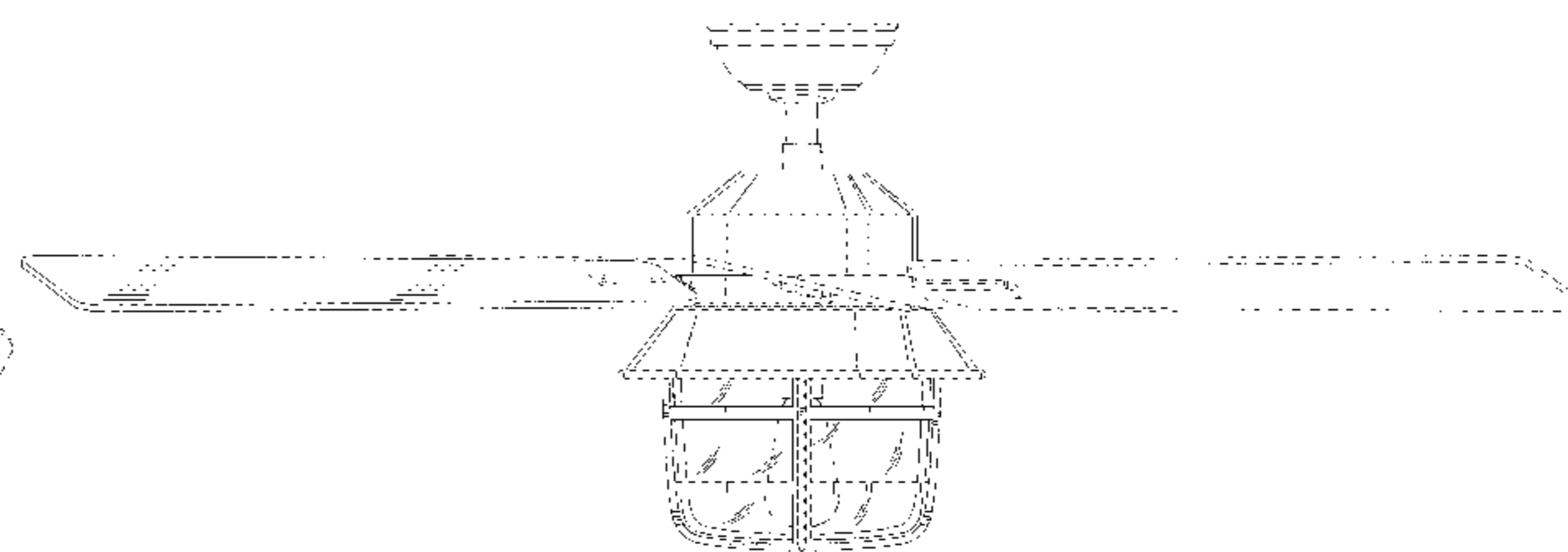
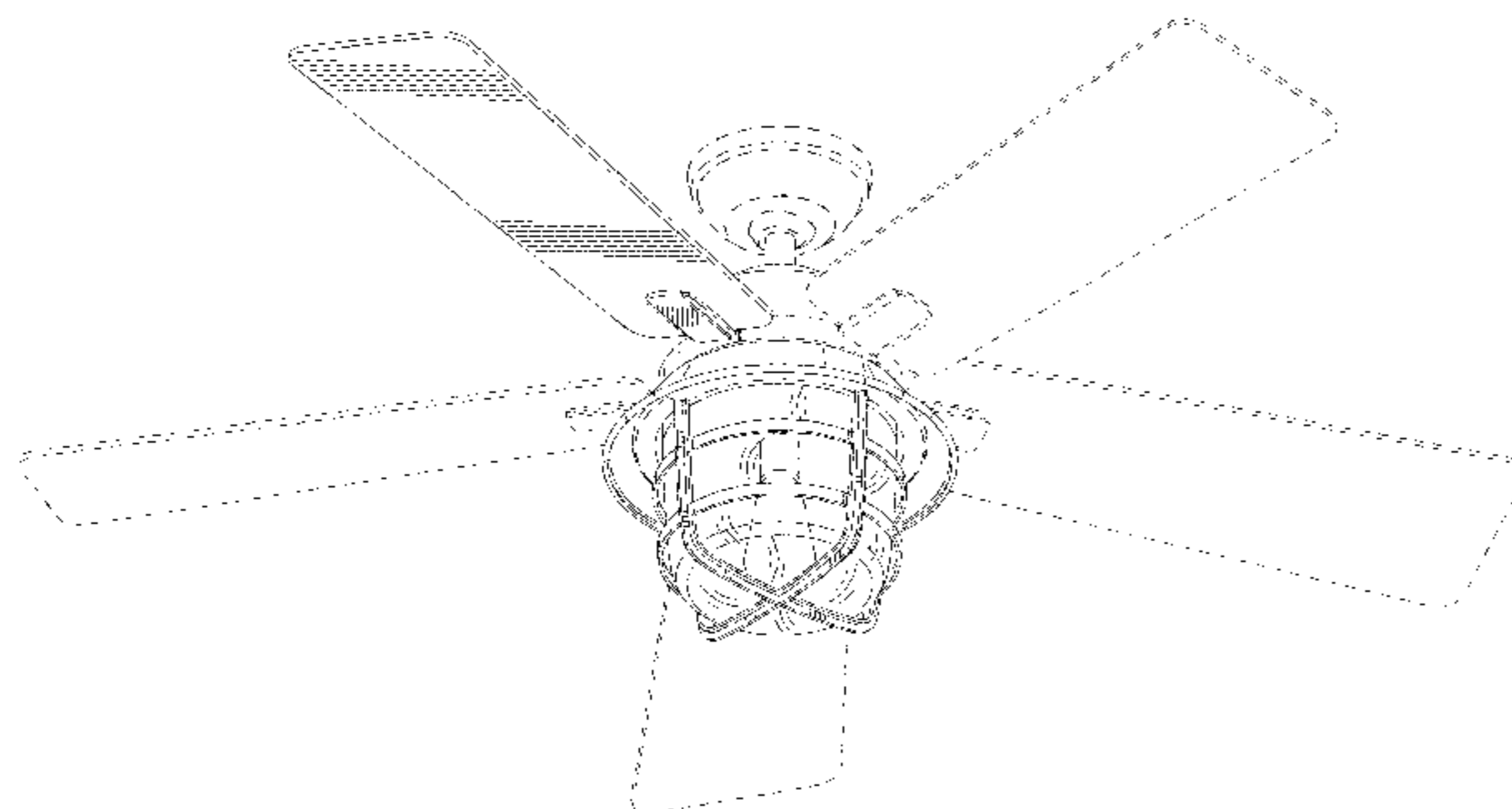
FIG. 6 is a rear view thereof;

FIG. 7 is a right side view thereof; and,

FIG. 8 is a left side view thereof.

Portions of the ceiling fan are shown in broken lines, which form no part of the claimed design.

1 Claim, 8 Drawing Sheets



(56)

References Cited

U.S. PATENT DOCUMENTS

D476,411	S	6/2003	Friedes	
D510,622	S	10/2005	Tai	
D514,695	S	2/2006	Badarello	
D516,200	S	2/2006	Pickett	
D517,197	S	3/2006	Pickett	
D517,675	S	3/2006	Young	
D521,625	S	5/2006	Young	
D522,642	S	6/2006	Matsuda et al.	
D525,696	S	7/2006	Ertze	
D528,645	S	9/2006	Young	
D533,677	S	12/2006	Broughton et al.	
D539,894	S	4/2007	Bucher	
D555,239	S	11/2007	Shurtleff	
D555,779	S	11/2007	Bucher	
D562,972	S	2/2008	Pickett	
D574,945	S	8/2008	Hidalgo	
D575,288	S	8/2008	Chen	
D580,044	S	11/2008	Ertze	
D653,795	S	2/2012	Guercio et al.	
D699,339	S	2/2014	Wang	
D704,819	S	5/2014	Wang	
D704,822	S	5/2014	Wang	
D710,489	S	8/2014	Shurtleff	
D732,157	S	6/2015	Lin et al.	
D799,664	S	10/2017	Wang	
D804,635	S	12/2017	Holmes	
D804,638	S	12/2017	Guthrie	
D805,173	S	12/2017	Vajen Habig et al.	
D805,182	S	12/2017	Pickett	
D805,185	S	12/2017	Rowe et al.	
D806,852	S	1/2018	Holmes	
D808,002	S	1/2018	Holmes	
D808,022	S	1/2018	Ingemarsson-Matzen	
D810,918	S	2/2018	Holmes	
D814,011	S	3/2018	McRoberts et al.	
D818,104	S	5/2018	Holmes et al.	
D821,009	S	6/2018	Holmes	
D821,010	S	6/2018	Holmes	
D823,512	S	7/2018	Vajen Habig et al.	
D825,086	S	8/2018	Holmes	
D829,363	S	9/2018	Lan	
D834,172	S	11/2018	Guthrie	
D855,872	S	8/2019	Lan	
D855,873	S	8/2019	Hagggar	
D856,572	S	8/2019	Hagggar	
D857,978	S	8/2019	Fan	
D858,863	S	9/2019	Deng	
D859,628	S	9/2019	Yang	
D859,630	S	9/2019	Puerto	
D861,218	S	9/2019	Yang	
D873,407	S	1/2020	Wang	
D875,288	S	2/2020	Holmes	
D876,696	S	2/2020	Holmes et al.	
D880,034	S	* 3/2020	Holmes	D26/59
D883,465	S	* 5/2020	Byrne	D23/377
D890,319	S	* 7/2020	Kraemer	D23/377
D890,911	S	* 7/2020	Holmes	D23/377
D890,972	S	* 7/2020	Holmes	D26/59
D894,458	S	* 8/2020	Holmes	D26/59
2005/0207140	A1	9/2005	Srass et al.	

OTHER PUBLICATIONS

<http://www.hunterfan.com/Ceiling-Fans/Perdido-Key?ModelNumber=59276>, Item Specification for Hunter 54" Perdido Key Can—54" Ceiling Fan, Accessed Oct. 28, 2016.

<http://www.homedepot.com/p/Hampton-Bay-Devereaux-II-52-in-Oil-Rubbed-Bronze-Ceiling-Fan-AL685-ORB/203244862>, Item Specification for Hampton Bay Devereaux II 52 in. Oil-Rubbed Bronze Ceiling Fan, Accessed Oct. 28, 2016.

<http://www.hunterfan.com/Ceiling-Fans/Ivy-Creek?ModelNumber=59277>, Item Specification for Hunter Ivy Creek—52" ceiling Fan, Accessed Oct. 28, 2016.

<http://www.hunterfan.com/Ceiling-Fans/Key-Biscayne?ModelNumber=59135>, Item Specification for Hunter Key Biscayne—54" Ceiling Fan, Accessed Oct. 28, 2016.

<http://ceilingfans.emerson.com/shop/en/fan/fan-s-all/fans-s-browse-all/maui-bay-fan-p-cf2000>, Item Specification for Emerson Maui Bay—52" Ceiling Fan, Accessed Oct. 28, 2016.

<http://www.fanimation.com/products/indexphp/fans/kaya.html>, Item Specification for Fanimation Kaya Ceiling Fan, Accessed Oct. 28, 2016.

<http://www.kichler.com/products/product/52-inch-chicago-fan-tzg-300001tztg.aspx>, Item Specification for Kichler Chicago Collection 52 Inch Chicago Fan TZG, Accessed Oct. 28, 2016.

<http://www.montecarlofans.com/32990/52-Morton—Oil-Rubbed-Bronze-5MB52OZD.html>, Item Specification for Monte Carlo 52" Morton—Oil Rubbed Bronze, Accessed Oct. 28, 2016.

<http://www.homedepot.com/p/Hampton-Bay-Metro-54-in-Rustic-Copper-Indoor-Outdoor-Ceiling-Fan-34342/202075572>, Item Specification for Hampton Bay Metro 54 in. Rustic Copper Indoor/Outdoor Ceiling Fan, Accessed Oct. 28, 2016.

<http://www.craftmade.com/Craftmade-MOR54ESP3-Espresso-Ceiling-Fan.HTM>, Item Specification for Craftmade MOR54ESP3—Moorestad, Accessed Oct. 28, 2016.

<http://www.minkagroup.net/products/f582-orb>, Item Specification for Minka Aire F582-ORB 52" Rainman, Accessed Oct. 28, 2016.

<http://www.craftmade.com/Craftmade-OLK13CFL-FB-Flat-Black-Outdoor-Light-Kit.HTM>, Item Specification for Craftmade OLK13CFL-FB, Accessed Oct. 28, 2016.

<http://www.craftmade.com/Craftmade-OLK200CFL-RI-Rustic-Iron-Ceiling-Fan-Light-Kit.HTM>, Item Specification for Craftmade OLK200CFL-RI, Accessed Oct. 28, 2016.

<http://www.craftmade.com/Craftmade-OLK67CFL-OB-Oiled-Bronze-Outdoor-Light-Kit.HTM>, Item Specification for Craftmade OLK67CFL-OB, Accessed Oct. 28, 2016.

<http://www.modernfan.com/products/pharos.html>, Item Specification for Pharos, Accessed Oct. 28, 2016.

<http://www.montecarlofans.com/32467/52-Aviary-Dark-Bronze-4AIR52DBD.html>, Item Specification for Monte Carlo 52" Aviary—Dark Bronze, Accessed Oct. 28, 2016.

[http://www.montecarlofans.com/22172/52-Bumet-Outdoor-Fan---Roman-Bronze-\(Wet-Rated\)-5BR52RBD.html](http://www.montecarlofans.com/22172/52-Bumet-Outdoor-Fan---Roman-Bronze-(Wet-Rated)-5BR52RBD.html), Item Specification for Monte Carlo 52" Burnet Outdoor Fan—Roman Bronze (Wet Rated), Accessed Oct. 28, 2016.

<http://www.homedepot.com/p/Hampton-Bay-Glacier-Bay-52-in-Indoor-Outdoor-Rustic-Copper-Ceiling-Fan-14938/202790702>, Item Specification for Hampton Bay Glacier Bay 52in. Indoor/Outdoor Rustic Copper Ceiling Fan, Accessed Oct. 28, 2016.

<http://www.homedepot.com/p/Hampton-Bay-North-Shoreline-46-in-Natural-Iron-Indoor-Outdoor-Ceiling-Fan-with-Light-Kit-51546/205643117>, Item Specification for Hampton Bay North Shoreline 46 in. Natural Iron Indoor/Outdoor Ceiling Fan with Light Kit, Accessed Oct. 28, 2016.

<https://www.lowes.com/pd/Harbor-Breeze-Merrimack-52-in-Antique-Bronze-Downrod-Mount-Indoor-Outdoor-Ceiling-Fan-with-Light-Kit-and-Remote/4165863>, Item Specification for Harbor Breeze Merrimack 52-in Antique Bronze Jownrod Mount Indoor/Outdoor Ceiling Fan with Light Kit and Remote, Accessed Oct. 28, 2016.

<http://www.hunterfan.com/Ceiling-Fans/Mayford?ModelNumber=59205>, Item Specification for Hunter Mayford—54" Ceiling Fan, Accessed Oct. 28, 2016.

<http://arcadianhome.com/CM-B552C-CR>, Item Specification for Craftmade Contour Series 52" Type 2 Blades—CM-B552C-CR, Accessed Oct. 28, 2016.

<http://www.fanimation.com/products/index.php/22-inch-breckenfield-composite-blade-set.html>, Item Specification for Fanimation 22 Inch Breckenfield Composite Blade Set, Accessed Oct. 28, 2016.

* cited by examiner

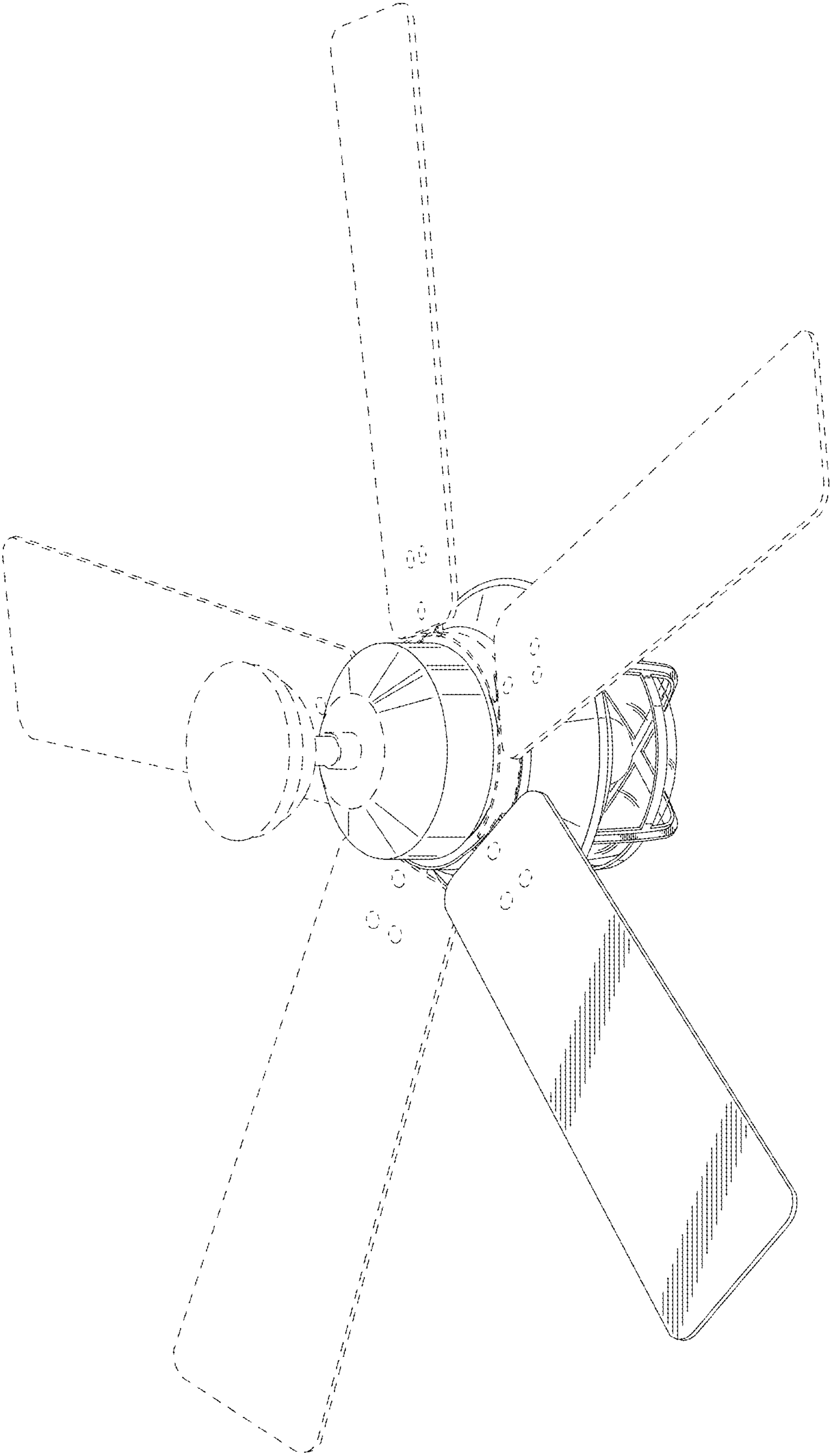


FIG.1

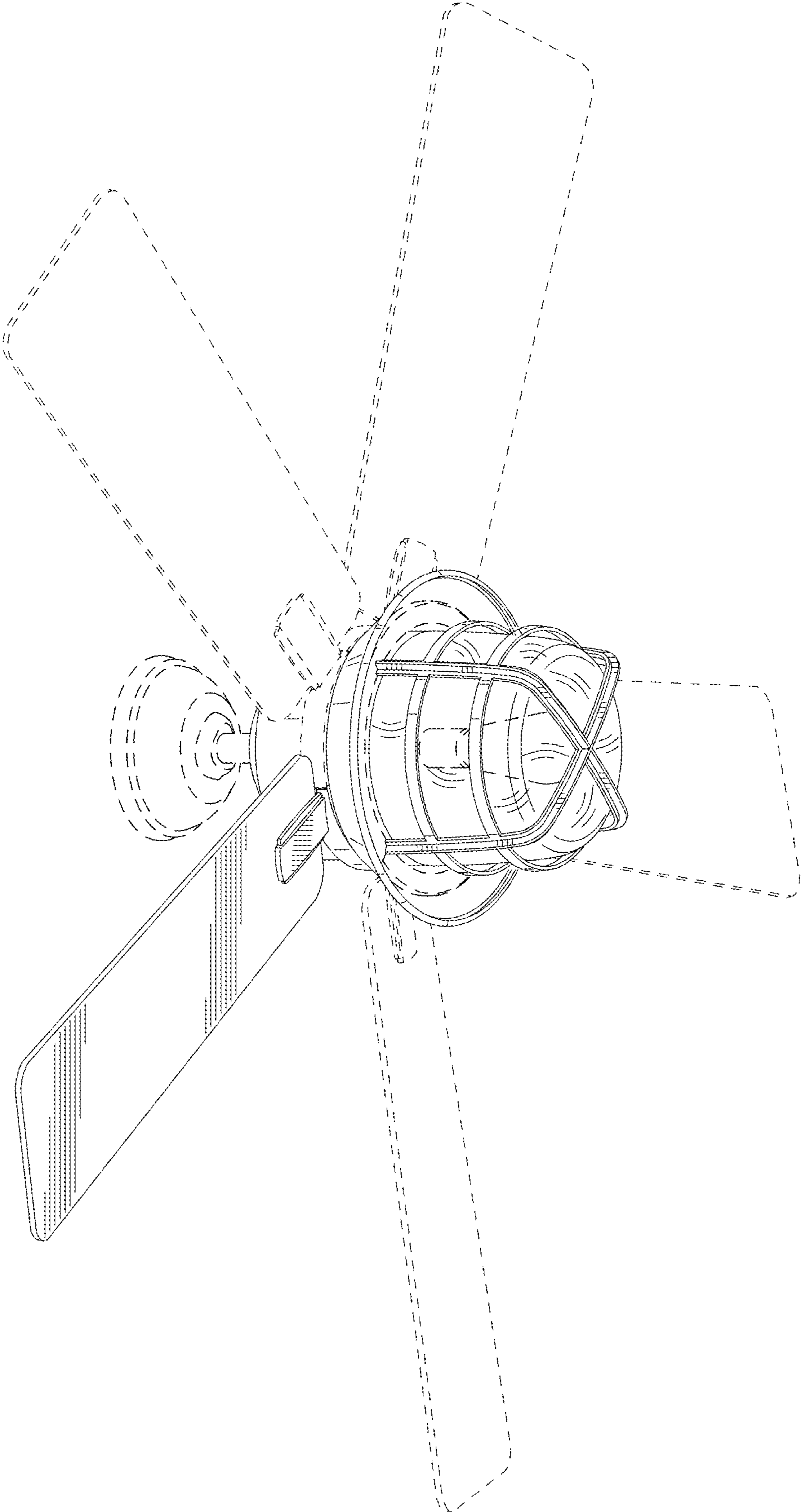


FIG.2

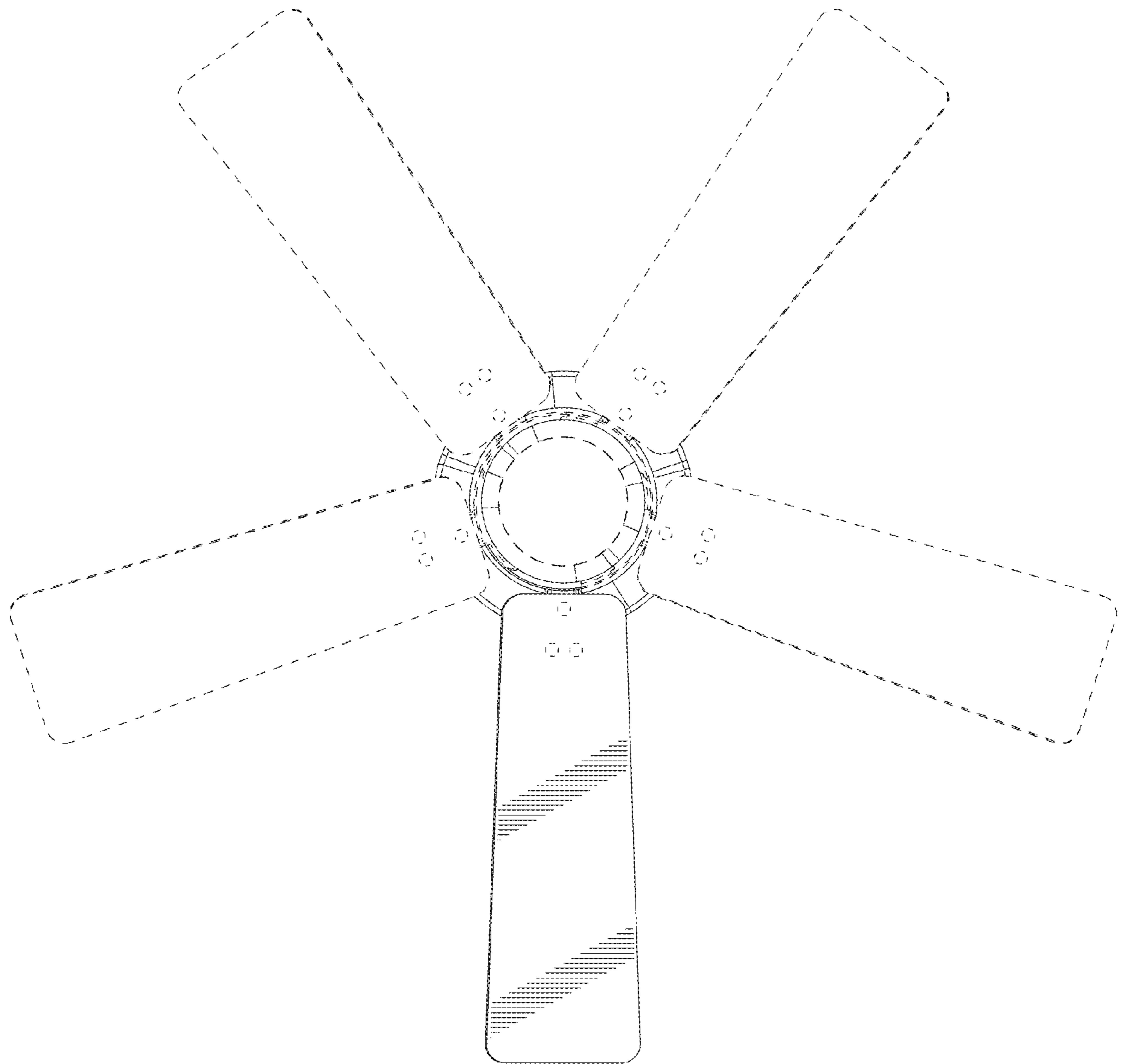


FIG. 3

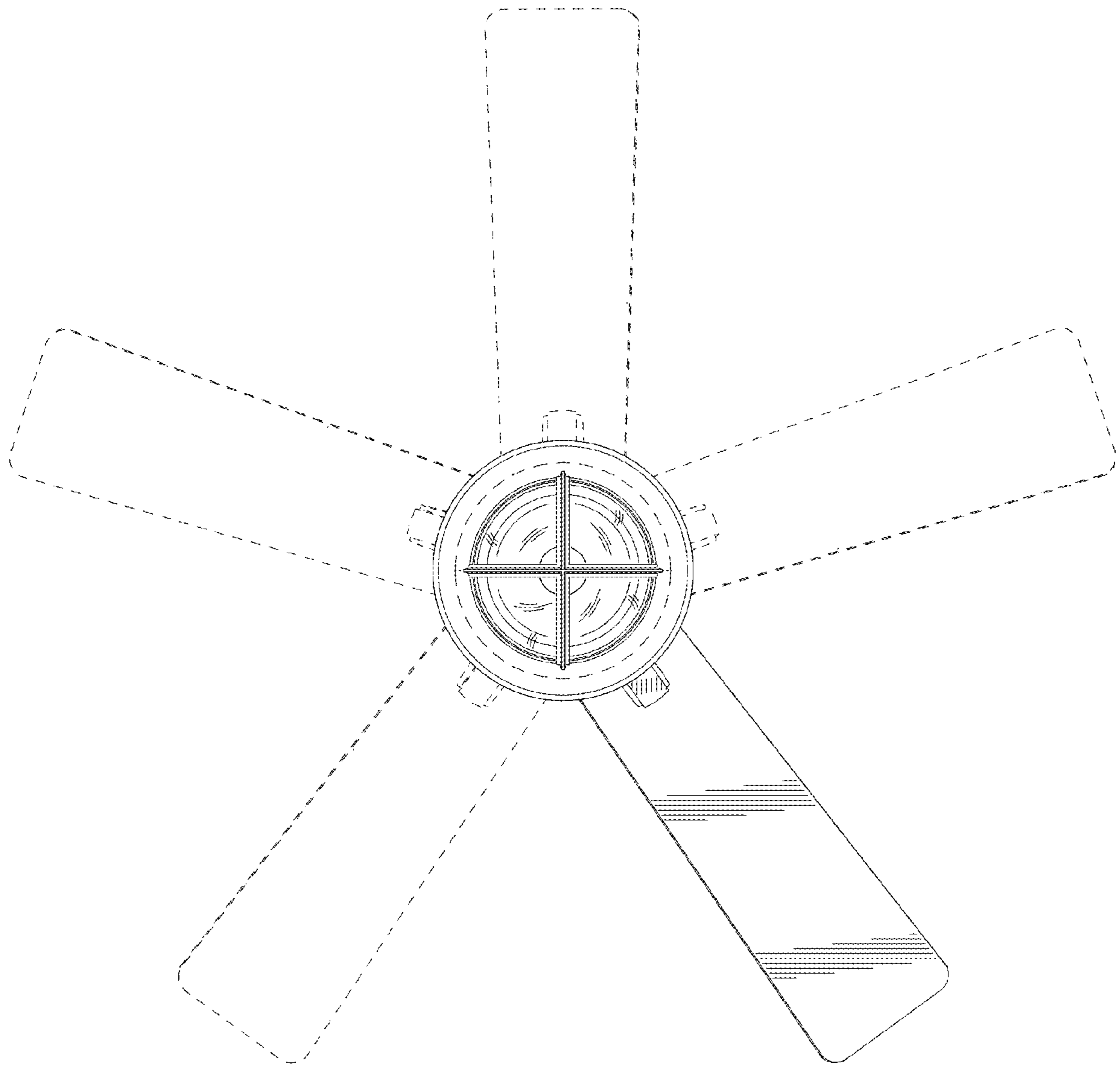


FIG. 4

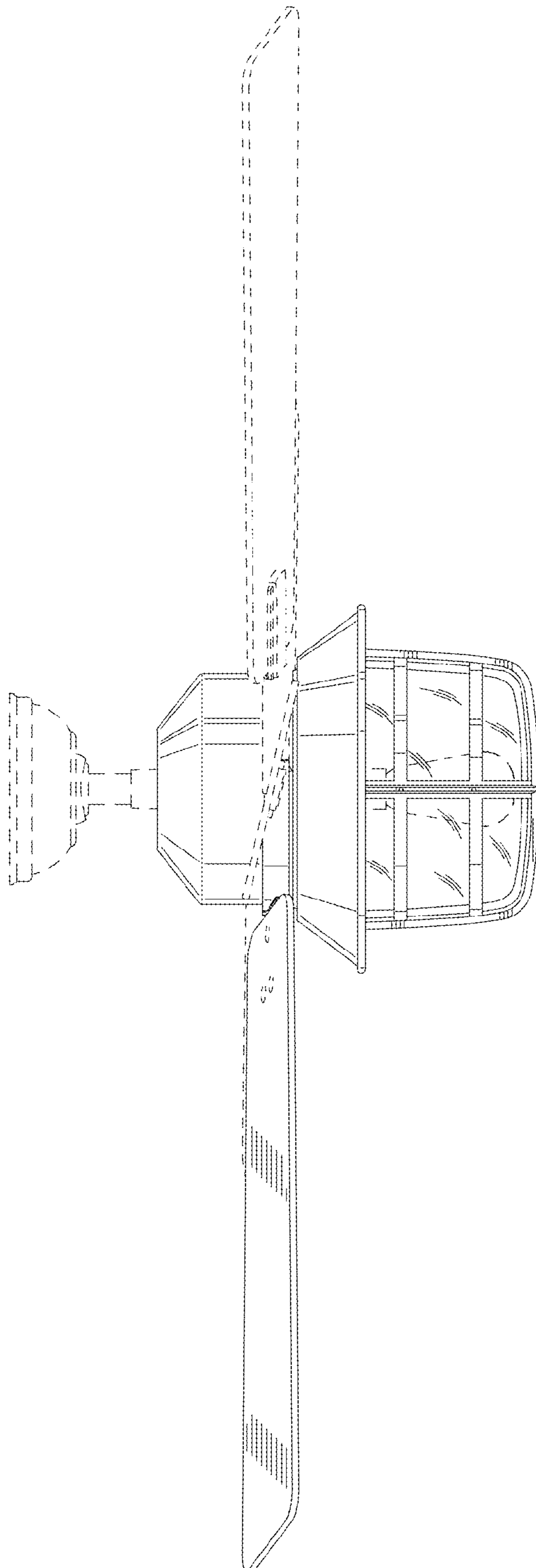


FIG. 5

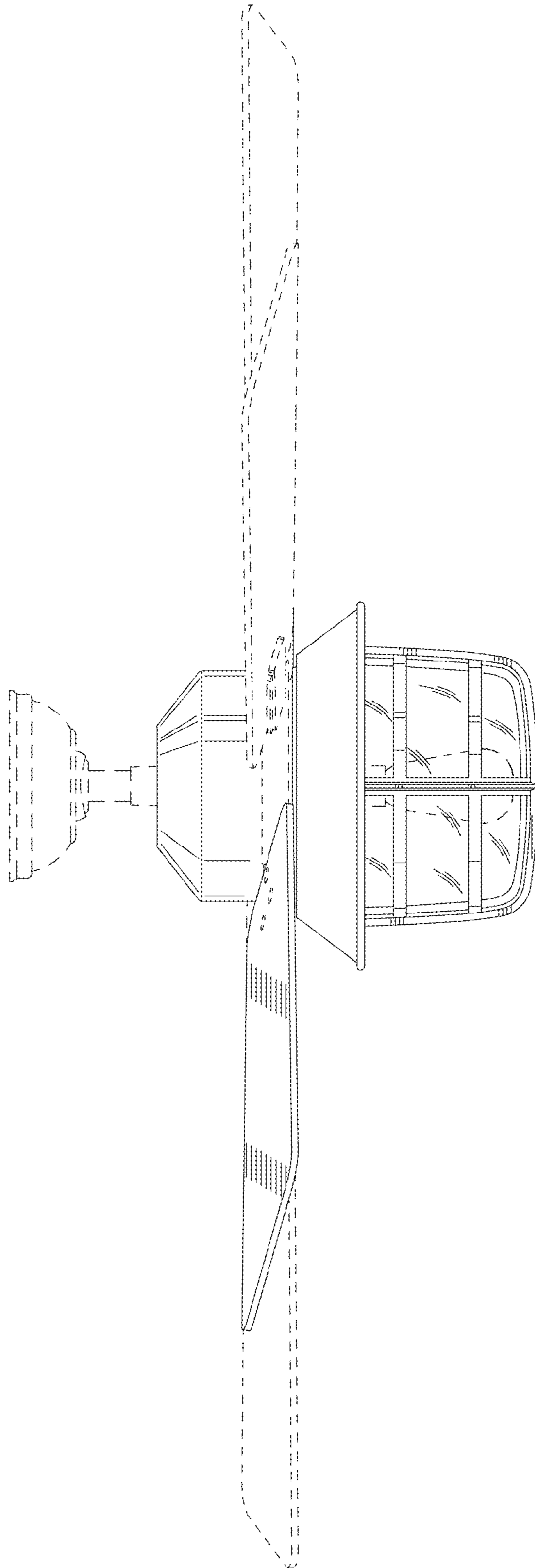


FIG.6

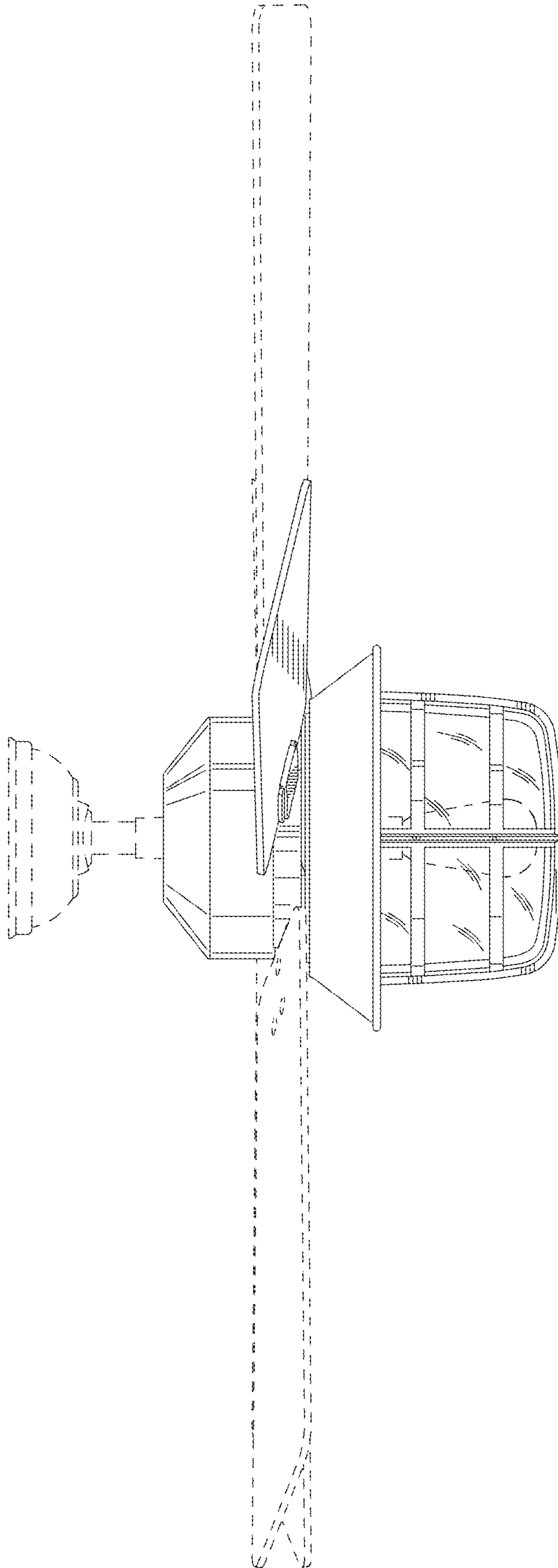


FIG. 7

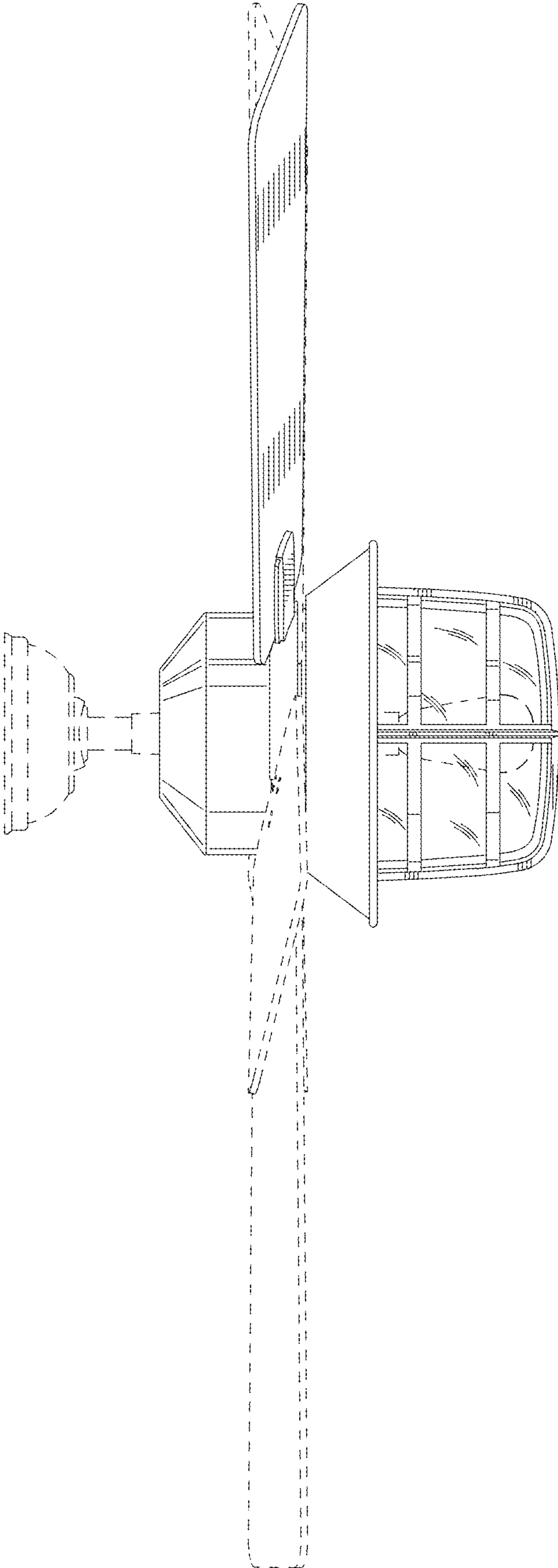


FIG. 8