



US00D923765S

(12) **United States Design Patent**
Choi et al.

(10) **Patent No.:** **US D923,765 S**
(45) **Date of Patent:** **** Jun. 29, 2021**

(54) **AIR CONDITIONER**

(57) **CLAIM**

(71) Applicant: **LG ELECTRONICS INC.**, Seoul (KR)

We claim the ornamental design for an air conditioner, as shown and described.

(72) Inventors: **Jeongguen Choi**, Seoul (KR); **Soyoung Kim**, Seoul (KR); **Seoyeon Lee**, Seoul (KR); **Keunho Ju**, Seoul (KR)

DESCRIPTION

(73) Assignee: **LG ELECTRONICS INC.**, Seoul (KR)

FIG. 1 is a perspective view of an air conditioner showing the new design;

(**) Term: **15 Years**

FIG. 2 is a front elevation view thereof;

(21) Appl. No.: **29/719,941**

FIG. 3 is a rear elevation view thereof;

(22) Filed: **Jan. 8, 2020**

FIG. 4 is a left-side elevation view thereof;

(30) **Foreign Application Priority Data**

FIG. 5 is a right-side elevation view thereof;

Jul. 25, 2019 (KR) 30-2019-0035847

FIG. 6 is a top plan view thereof;

(51) **LOC (13) Cl.** **23-04**

FIG. 7 is a bottom plan view thereof;

(52) **U.S. Cl.**
USPC **D23/354**

FIG. 8 is a perspective view of the air conditioner showing a state of the circulator opened;

(58) **Field of Classification Search**
USPC D23/333, 351-354, 388
CPC F24F 1/00; F24F 1/0007; F24F 1/02; F24F 1/08; F24F 1/42; F24F 1/56; F24F 1/60; F24F 3/044; F24F 3/048; F24F 3/16; G05D 23/1905; G05D 23/1932; G05D 23/1902;

FIG. 9 is a front elevation view thereof;

(Continued)

(56) **References Cited**

FIG. 10 is a rear elevation view thereof;

U.S. PATENT DOCUMENTS

D536,078 S * 1/2007 Leon D23/323
D665,491 S * 8/2012 Goel D23/386
D770,024 S * 10/2016 Nakai D23/351

FIG. 11 is a left-side elevation view thereof;

(Continued)

Primary Examiner — Natasha Vujcic
(74) *Attorney, Agent, or Firm* — Birch, Stewart, Kolasch & Birch LLP

FIG. 12 is a right-side elevation view thereof;

FIG. 13 is a top plan view thereof; and

FIG. 14 is a bottom plan view thereof.

FIG. 15 is a perspective view of the air conditioner showing a state of the circulator popped-up;

FIG. 16 is a front elevation view thereof;

FIG. 17 is a rear elevation view thereof;

FIG. 18 is a left-side elevation view thereof;

FIG. 19 is a right-side elevation view thereof;

FIG. 20 is a top plan view thereof;

FIG. 21 is a bottom plan view thereof;

FIG. 22 is a perspective view of the air conditioner showing a state of the circulator rotating obliquely;

FIG. 23 is a front elevation view thereof;

FIG. 24 is a rear elevation view thereof;

FIG. 25 is a left-side elevation view thereof;

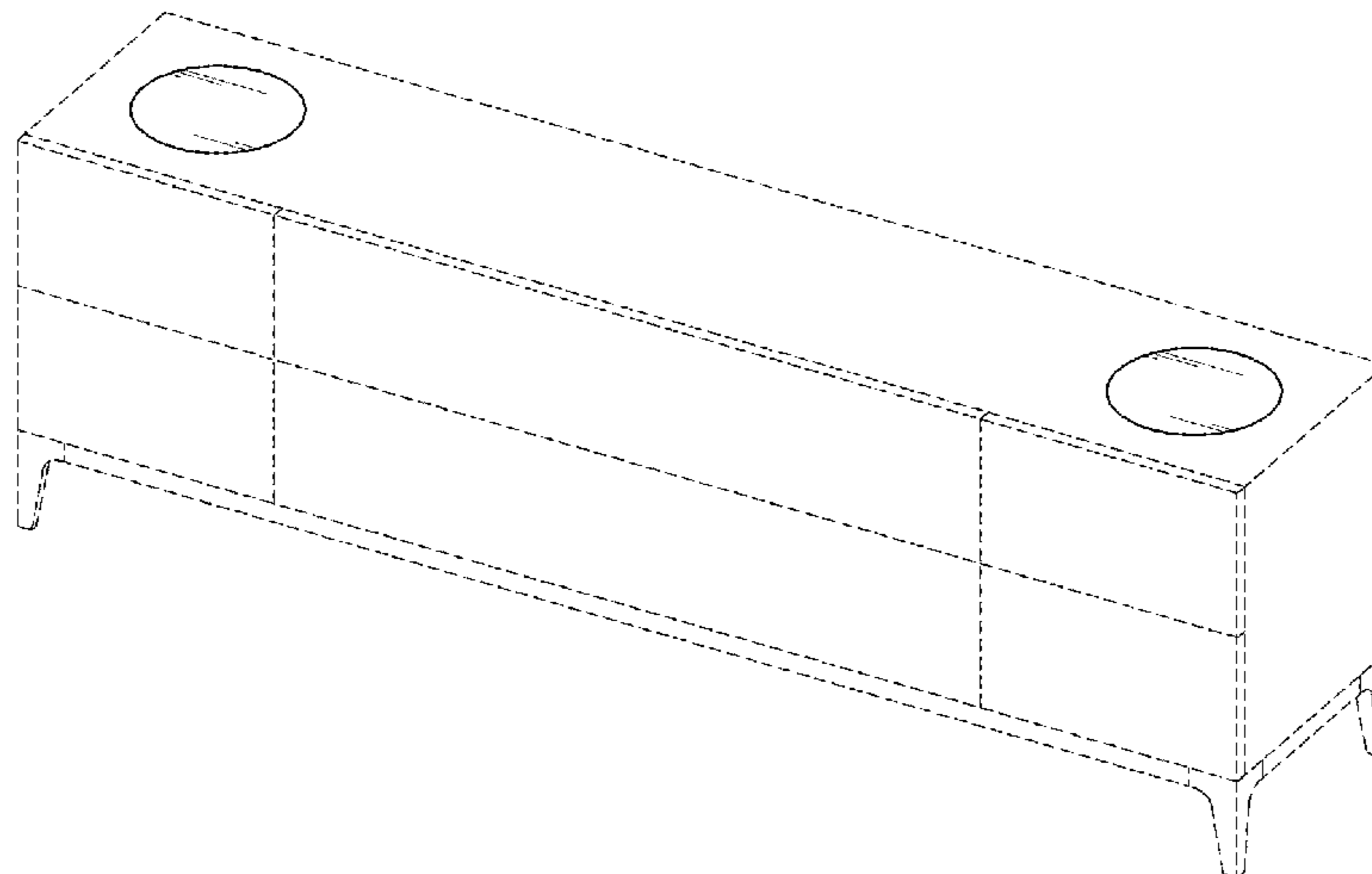
FIG. 26 is a right-side elevation view thereof;

FIG. 27 is a top plan view thereof; and,

FIG. 28 is a bottom plan view thereof.

The broken lines in the drawings illustrate portions of the air conditioner which form no part of the claimed design.

1 Claim, 28 Drawing Sheets



(58) **Field of Classification Search**

CPC G05D 23/1931; G05B 19/0426; G05B
19/409; G05B 15/02

See application file for complete search history.

(56) **References Cited**

U.S. PATENT DOCUMENTS

D777,893	S	*	1/2017	Kato	D23/351
D777,894	S	*	1/2017	Kato	D23/351
D810,252	S	*	2/2018	Lee	D23/354
D879,928	S	*	3/2020	Fujioka	D23/351
D901,654	S	*	11/2020	Lee	D23/333
D901,655	S	*	11/2020	Lee	D23/333
D901,657	S	*	11/2020	Niki	D23/351
D914,860	S	*	3/2021	Lee	F24F 11/30 D23/351

* cited by examiner

FIG. 1

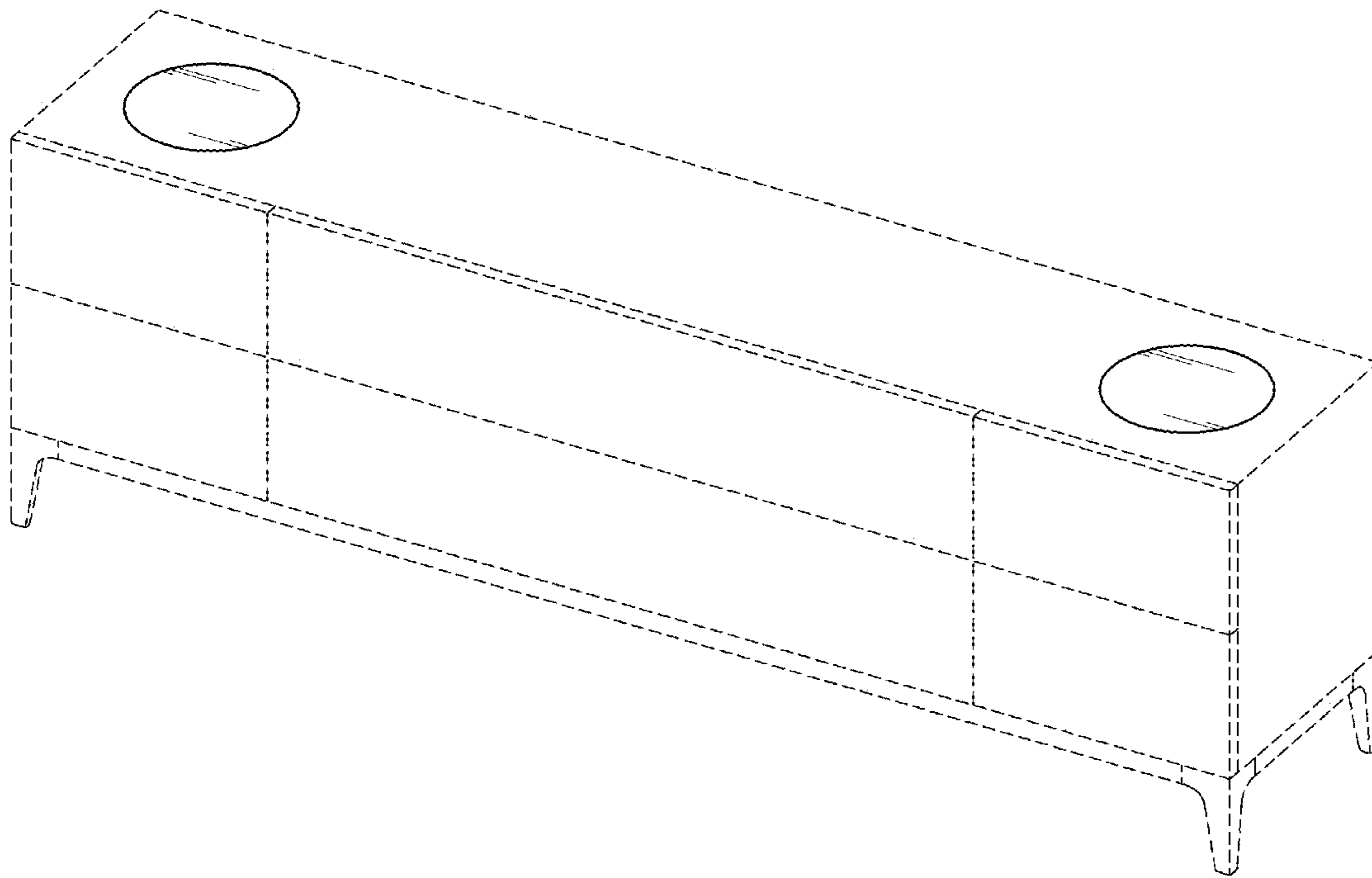


FIG. 2

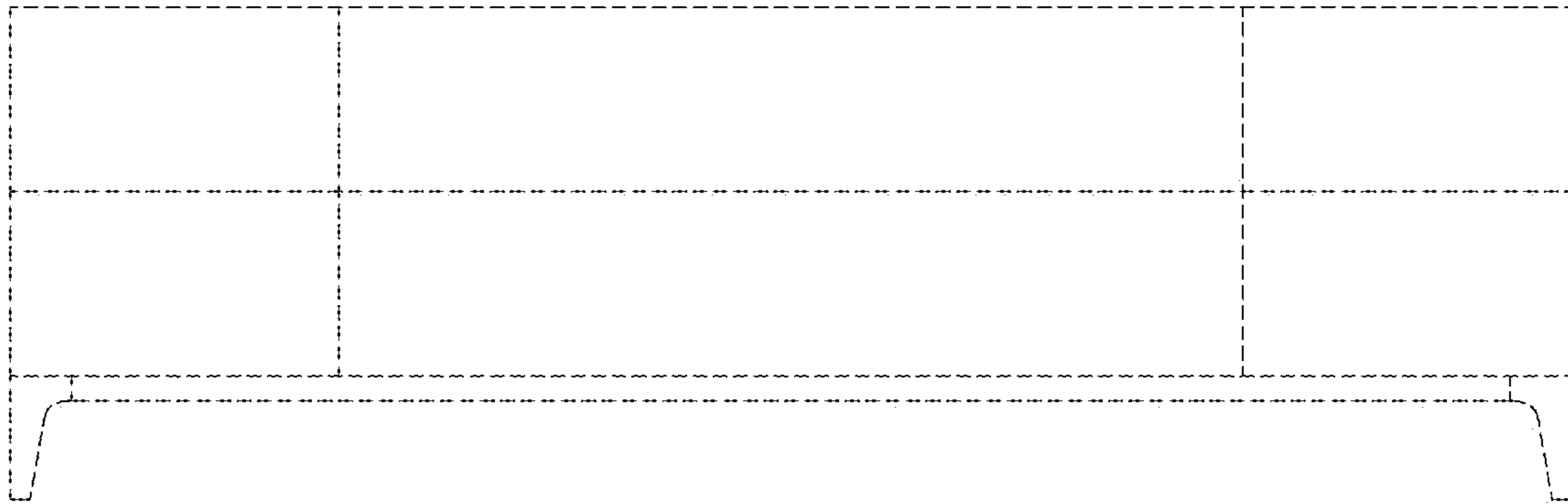


FIG. 3

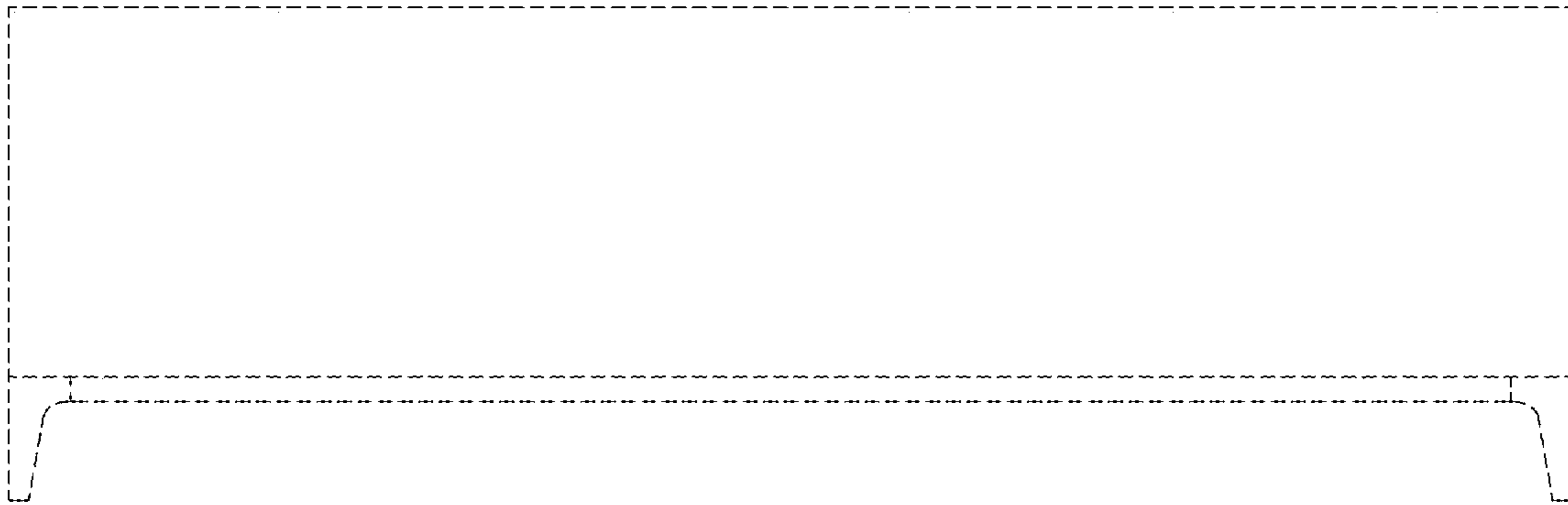


FIG. 4

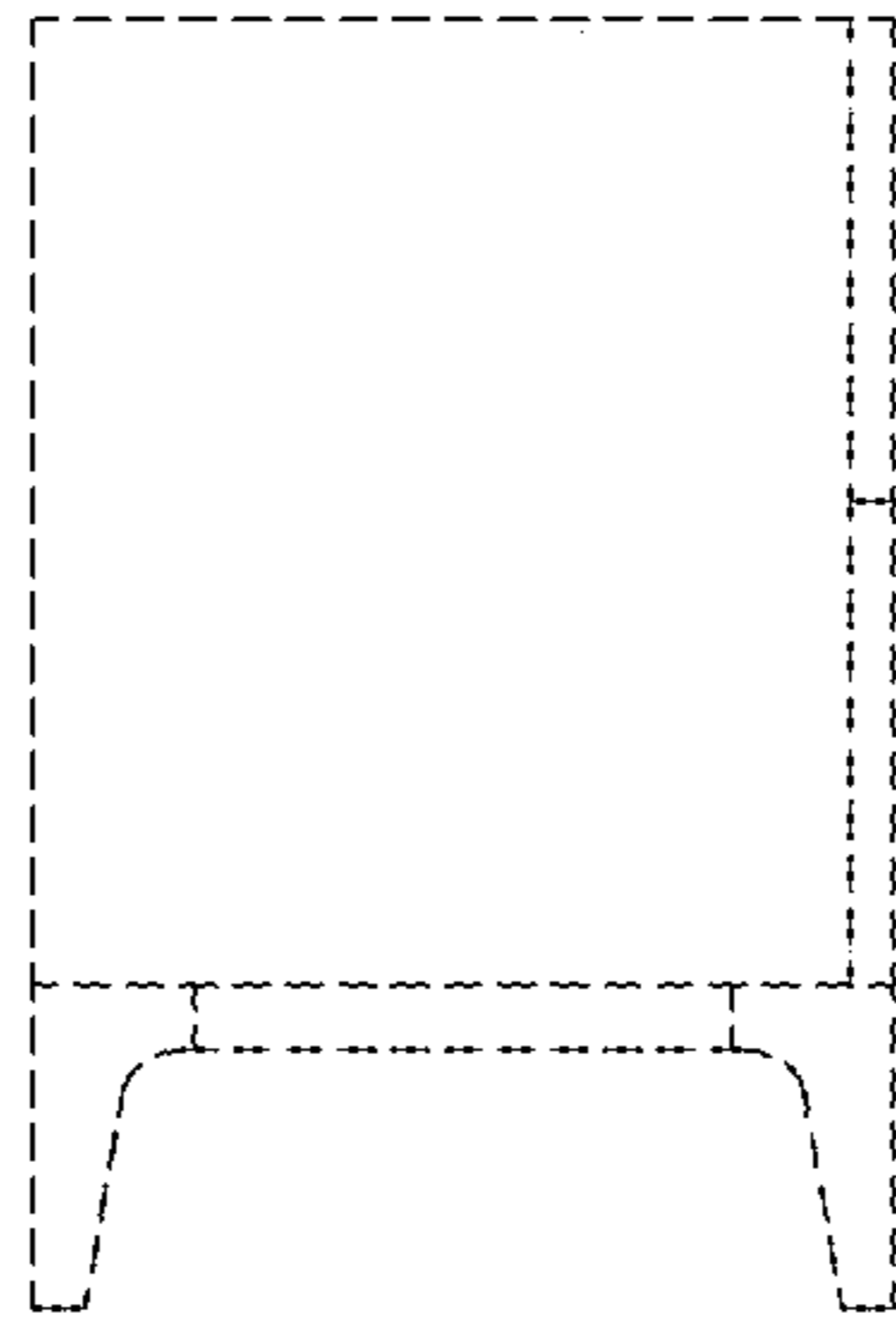


FIG. 5

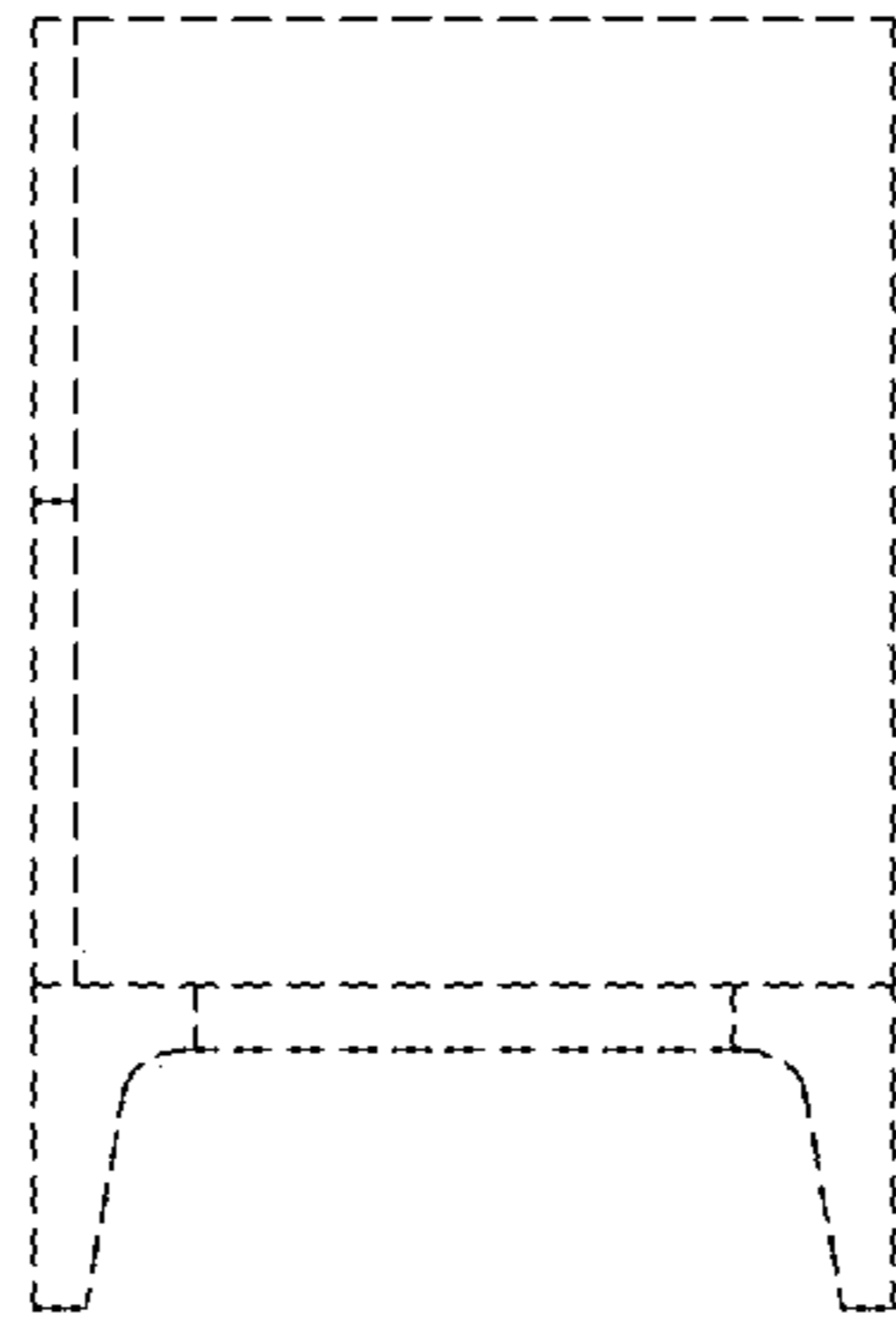


FIG. 6



FIG. 7



FIG. 8

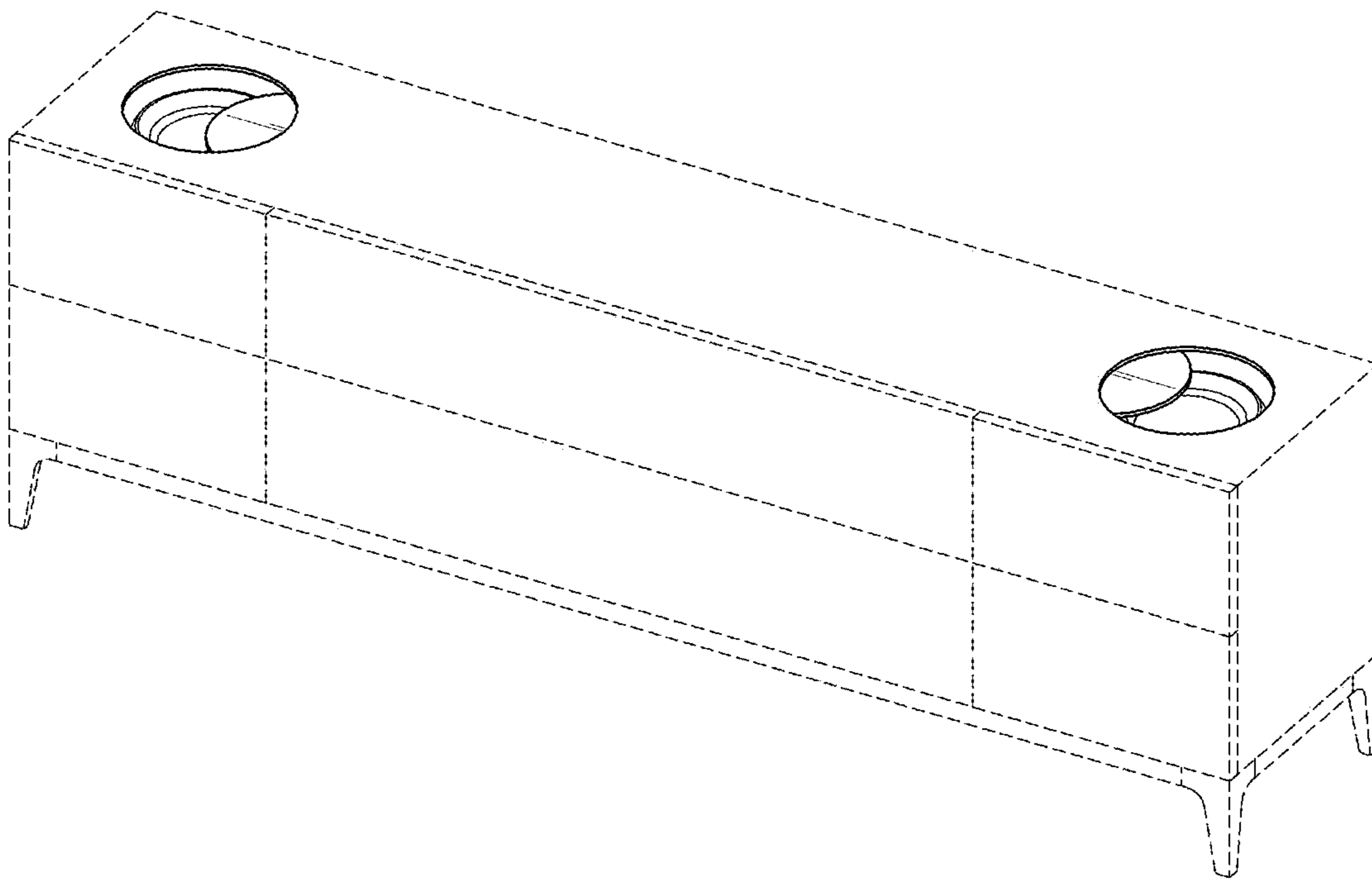


FIG. 9

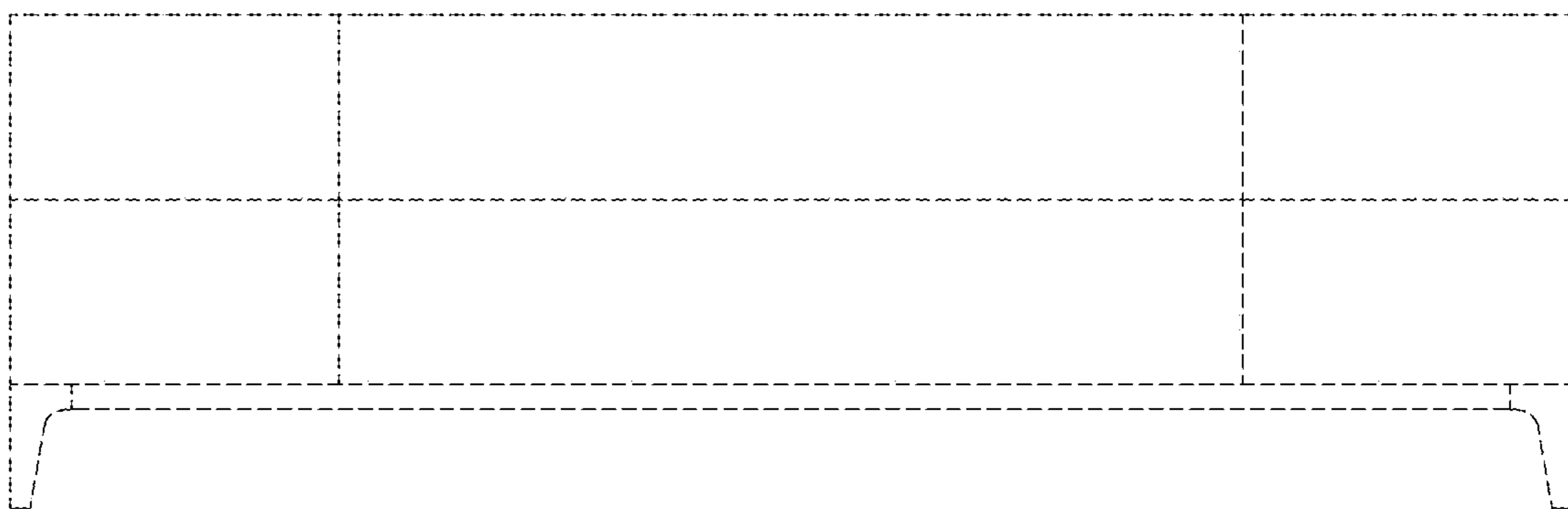


FIG. 10

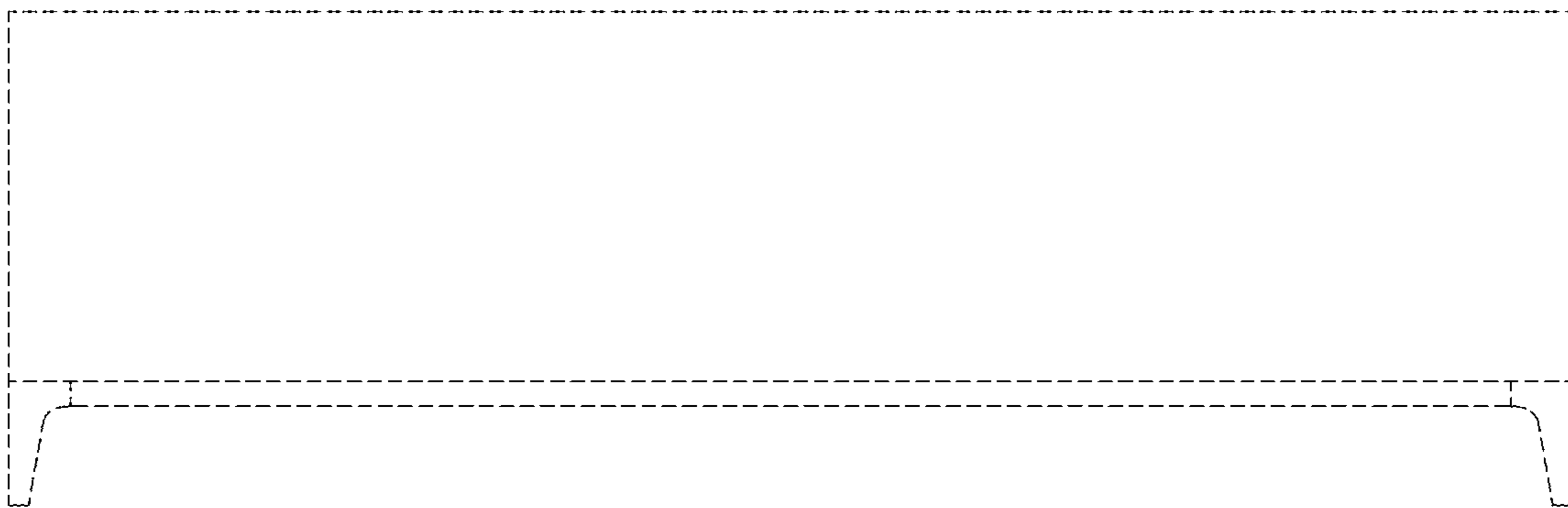


FIG. 11

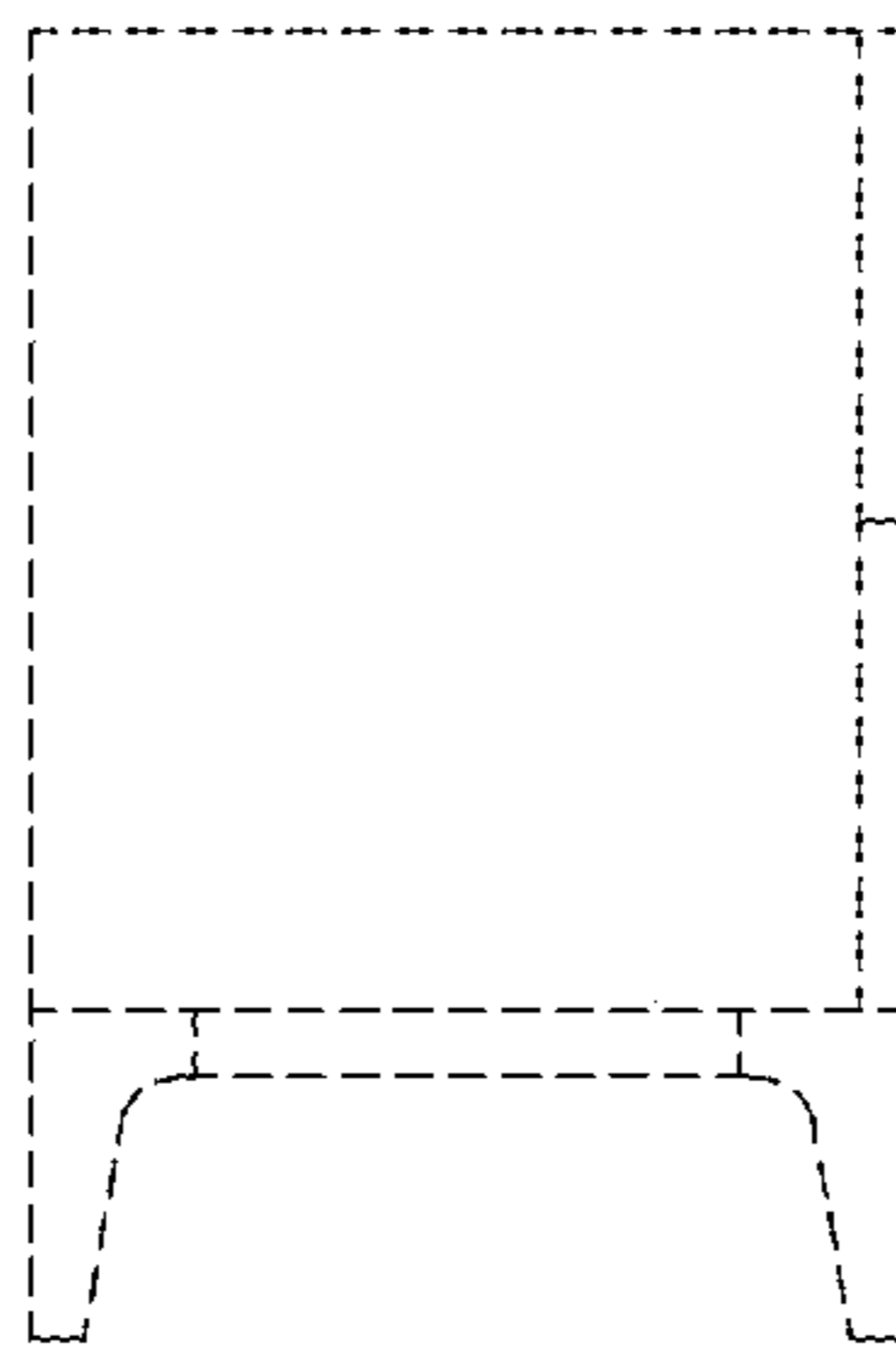


FIG. 12

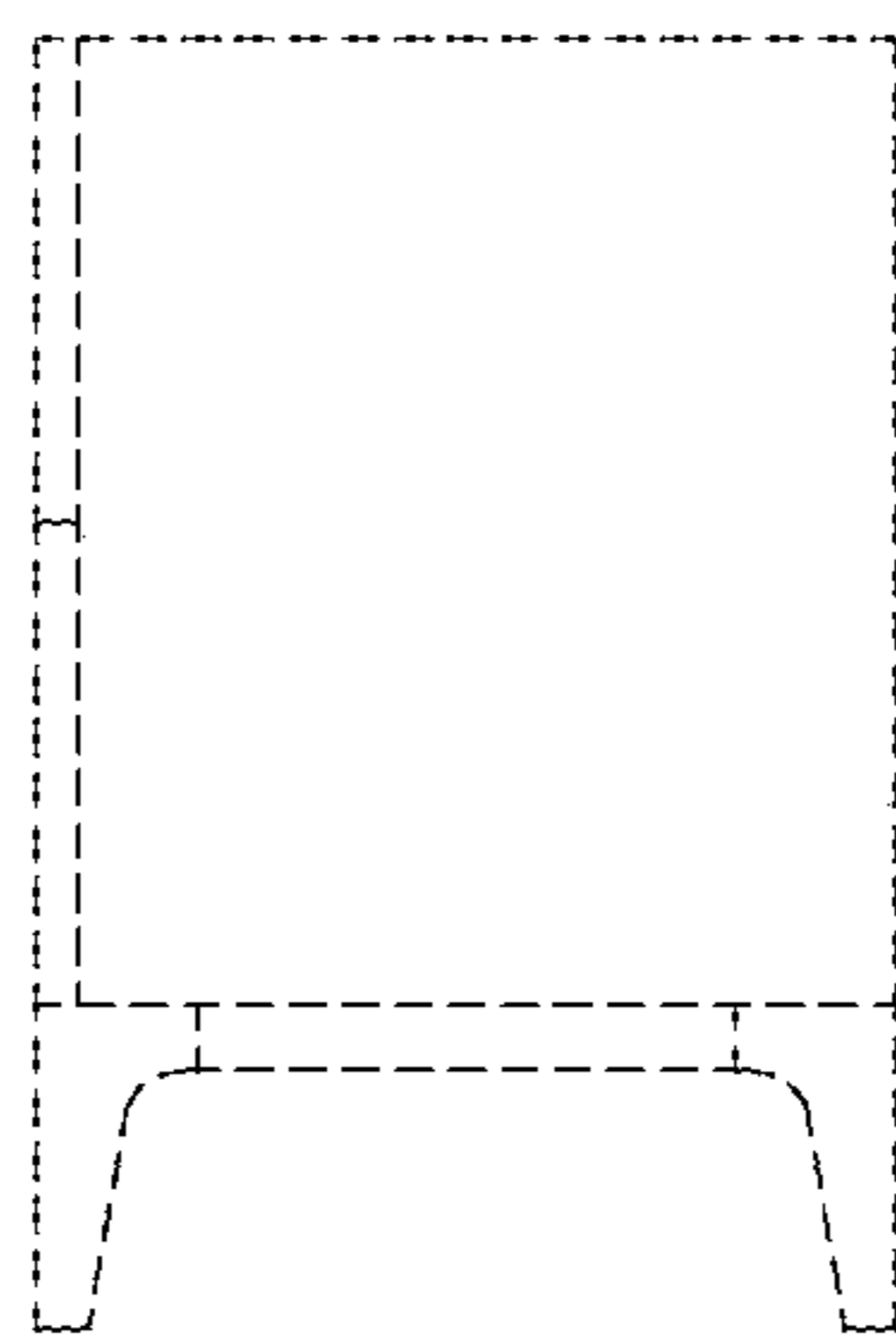


FIG. 13



FIG. 14



FIG. 15

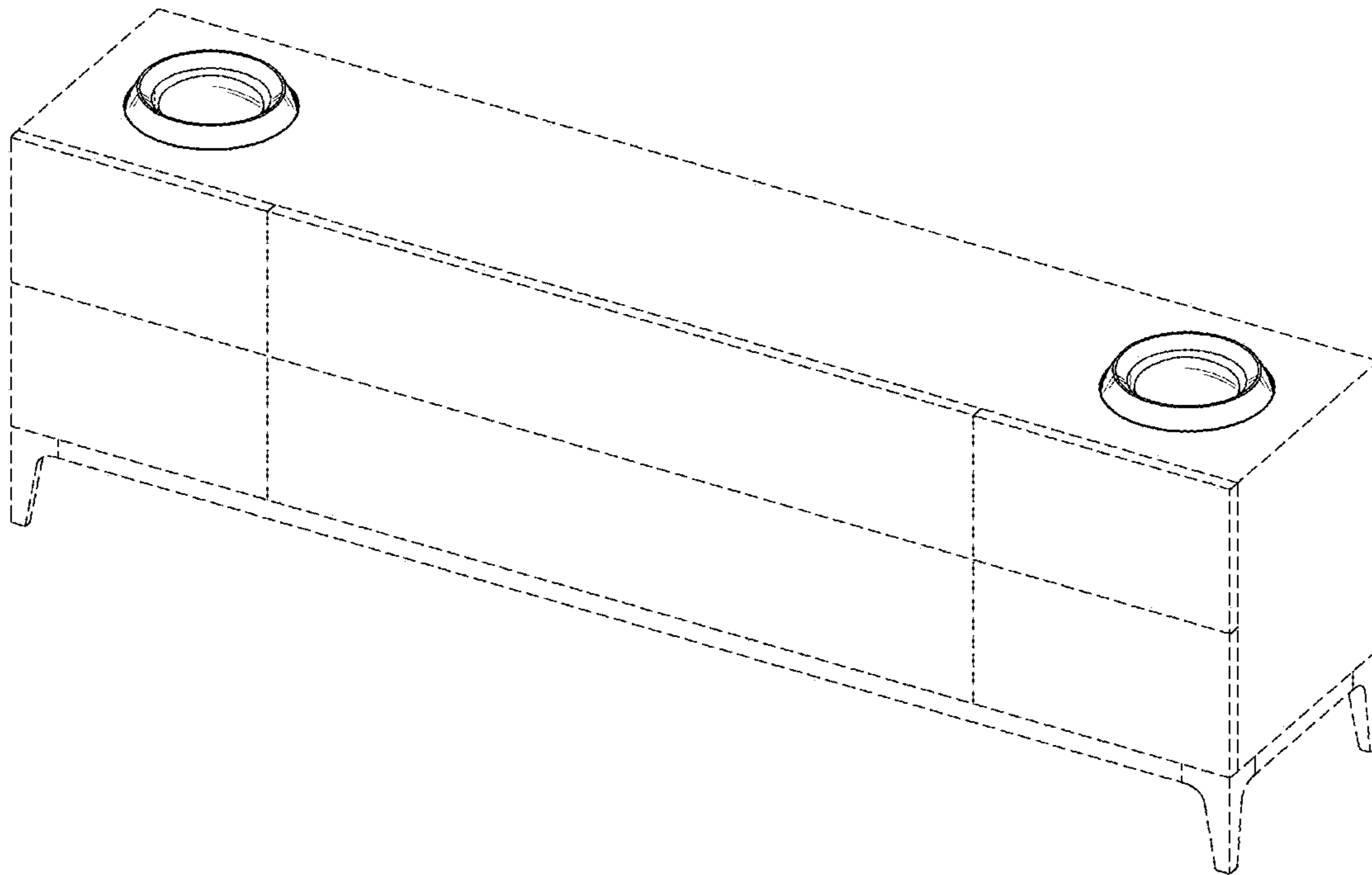


FIG. 16

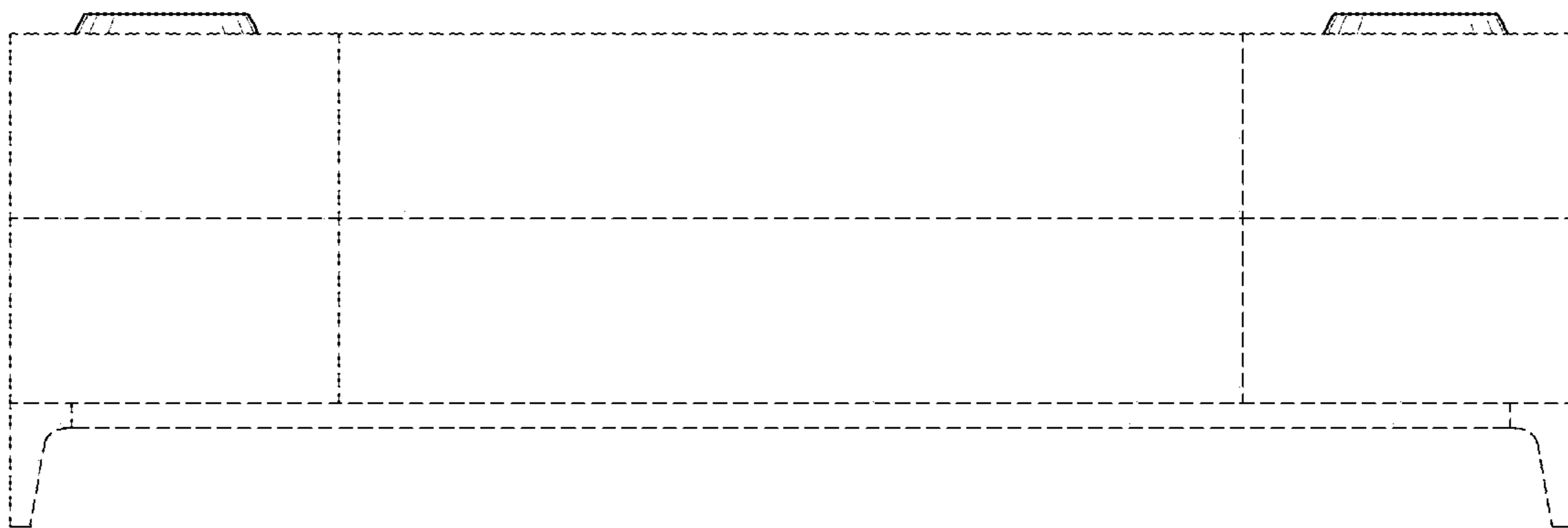


FIG. 17

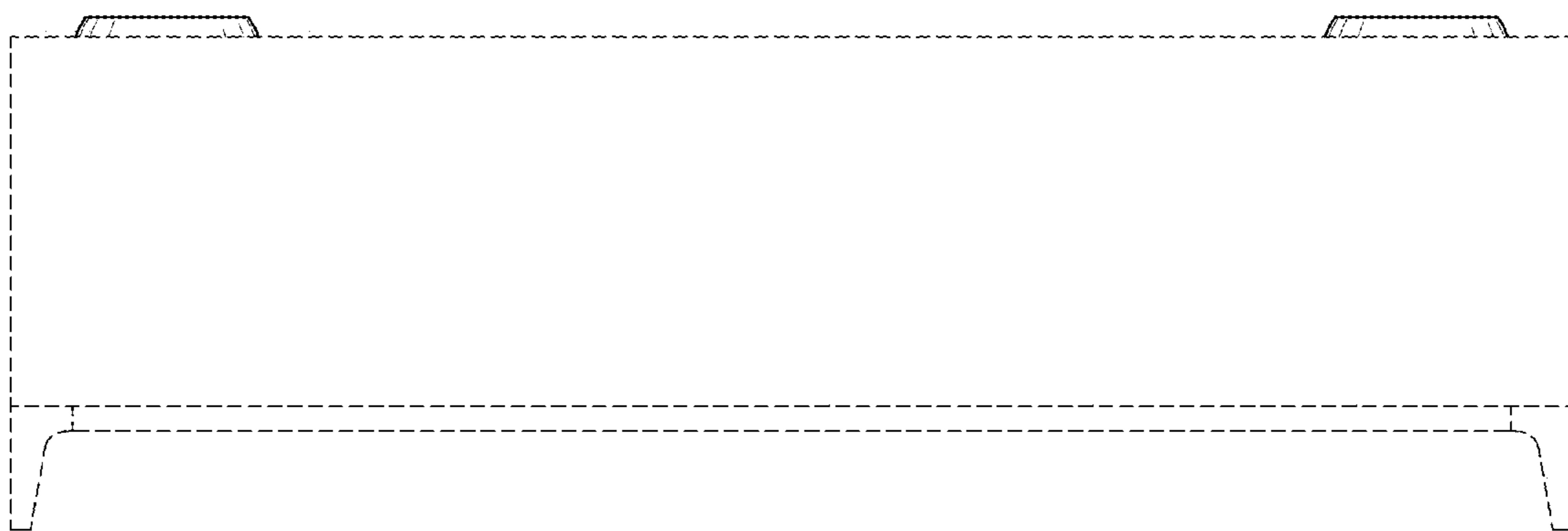


FIG. 18

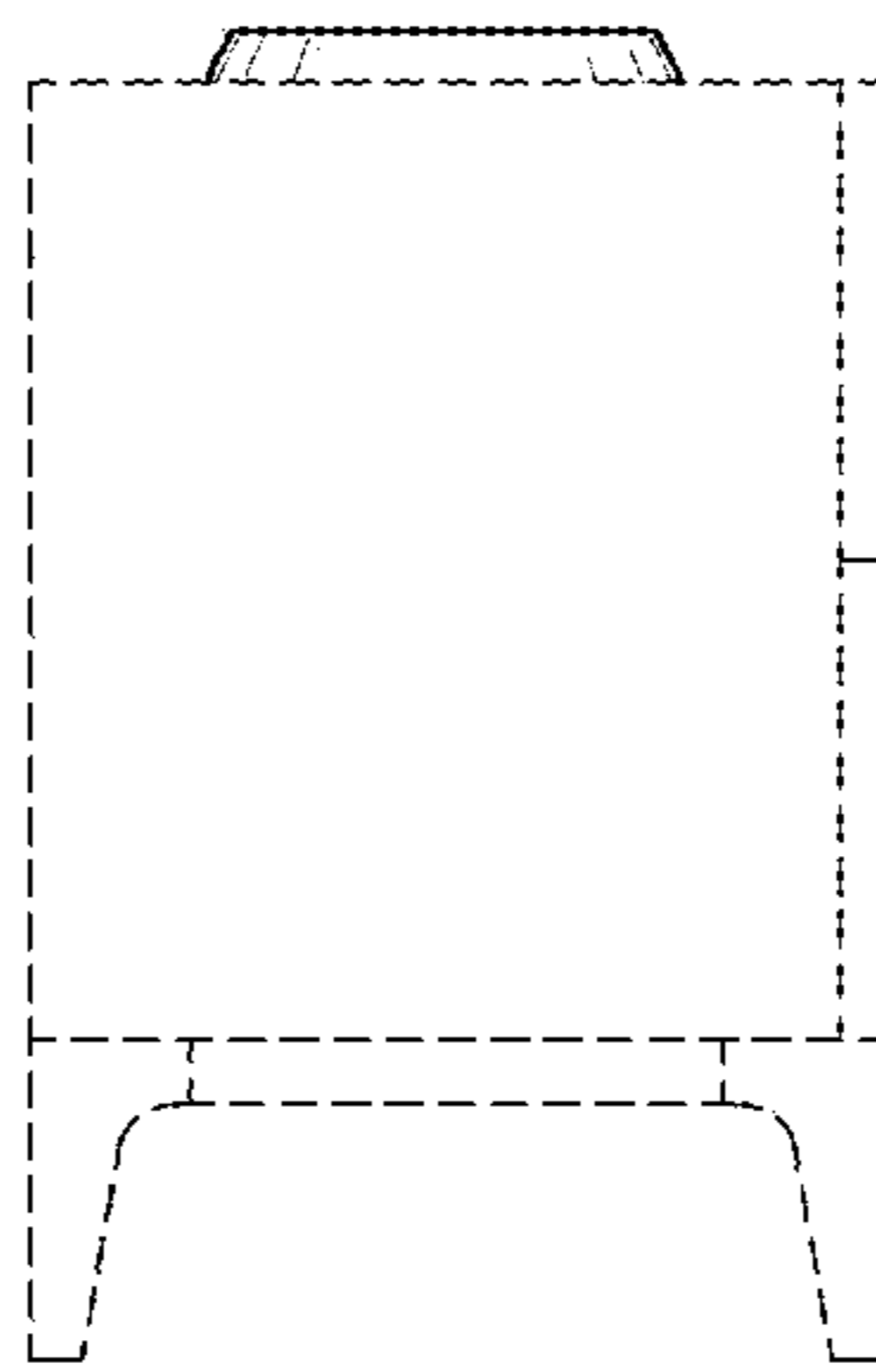


FIG. 19

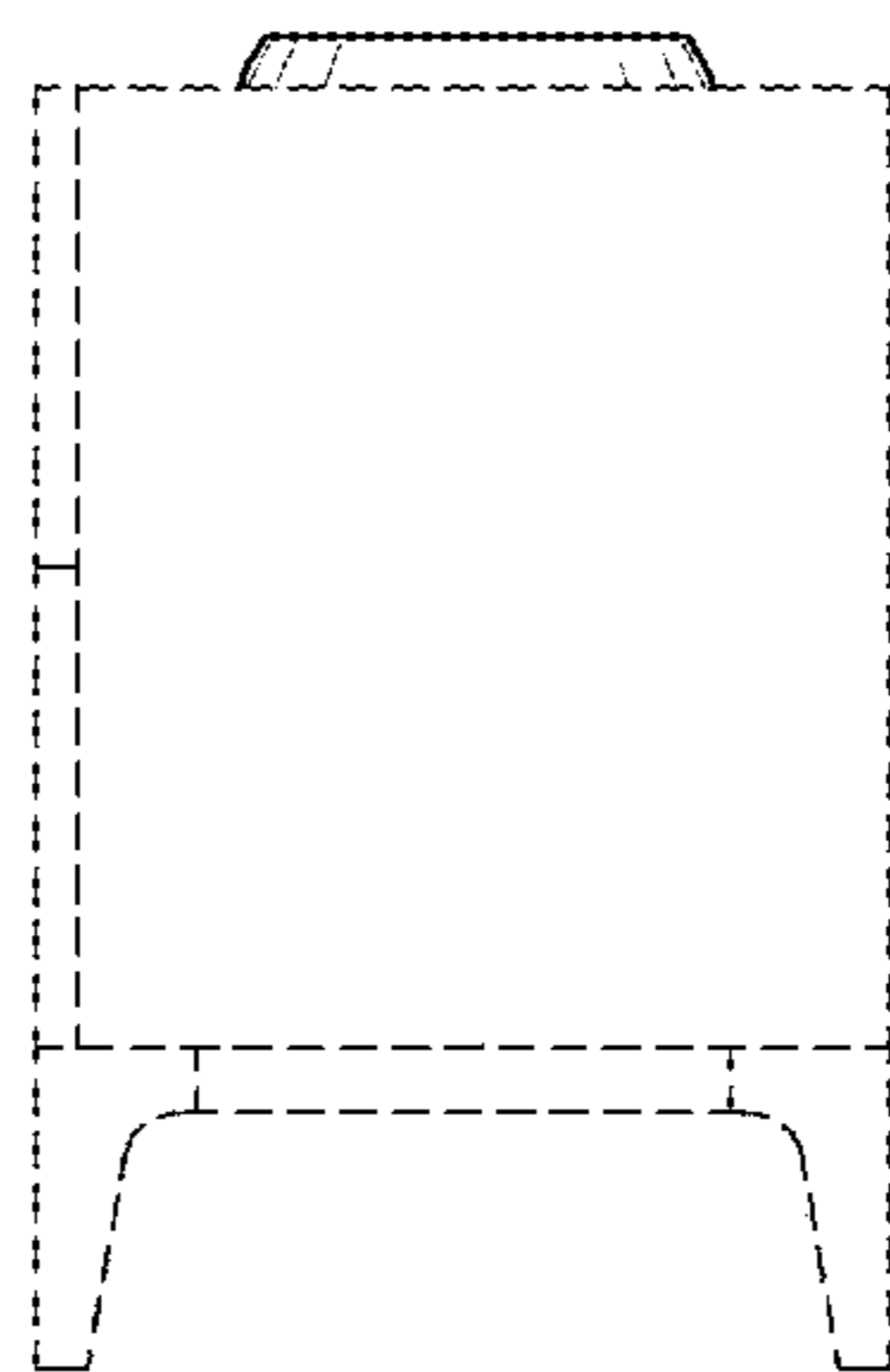


FIG. 20



FIG. 21



FIG. 22

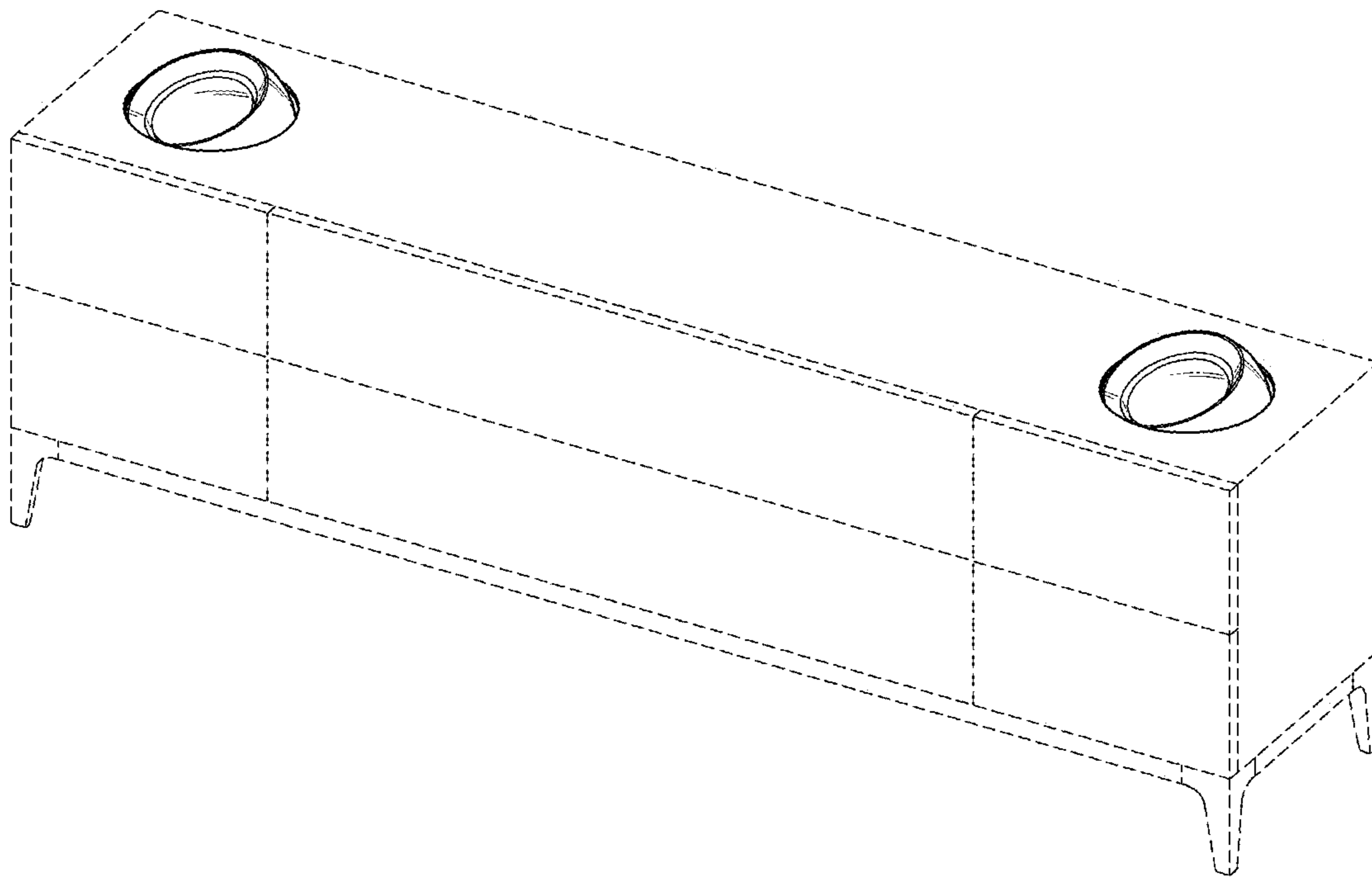


FIG. 23

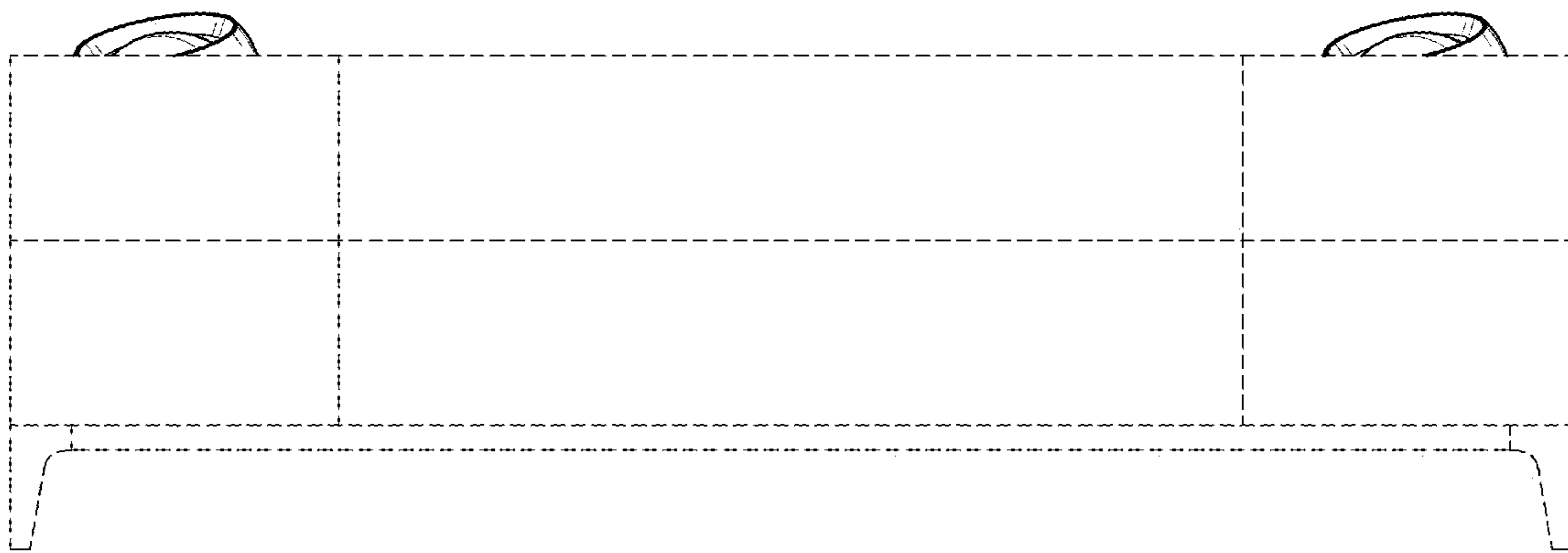


FIG. 24

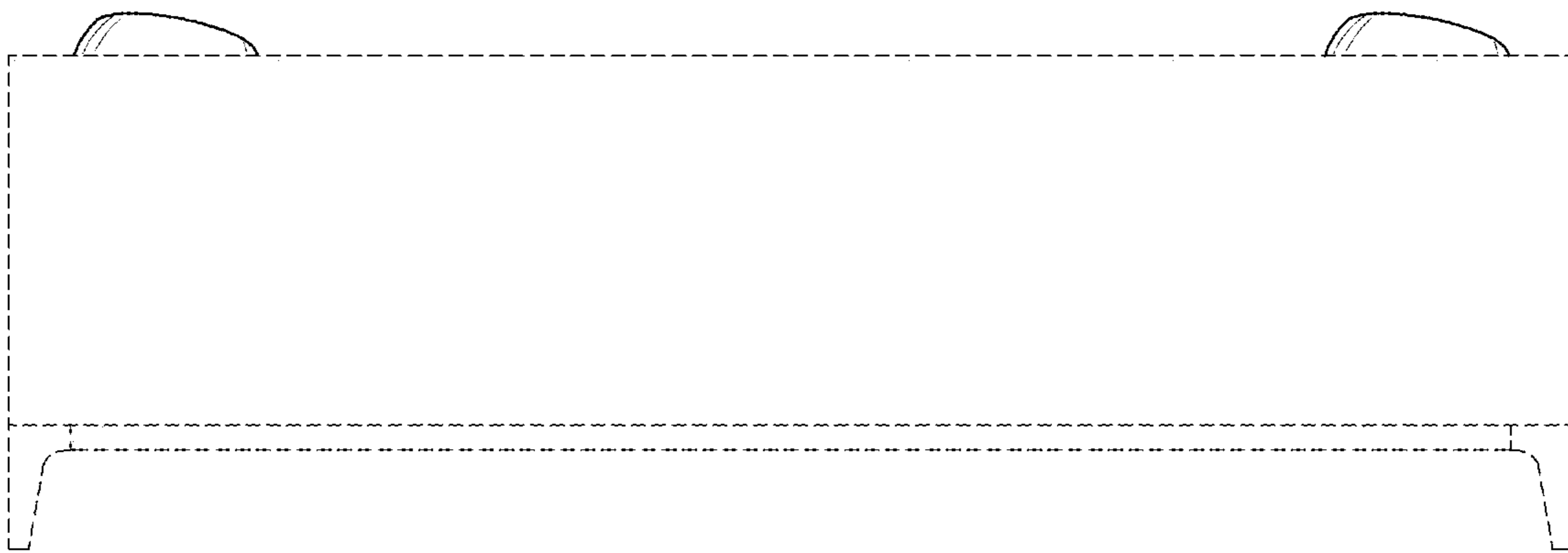


FIG. 25

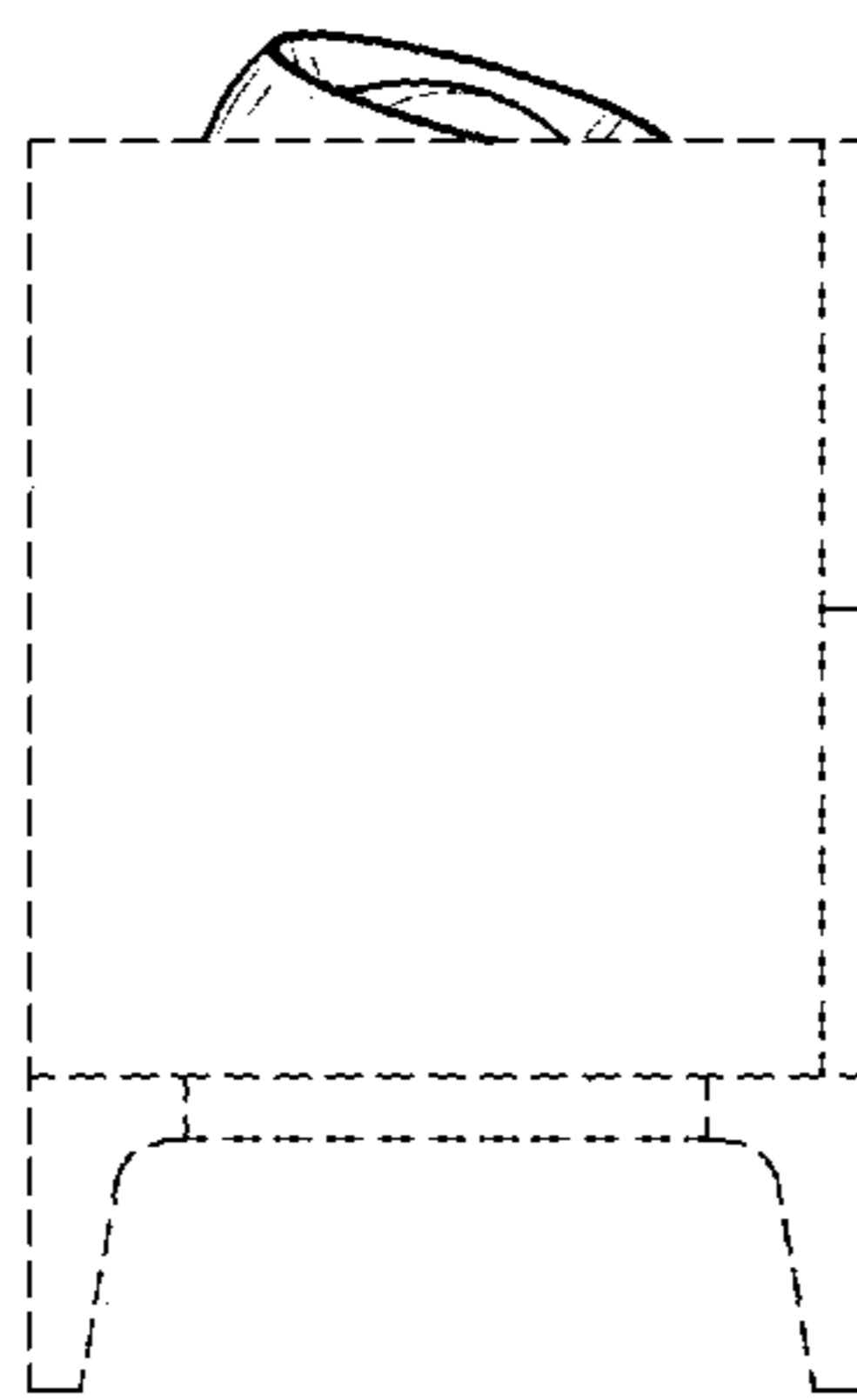


FIG. 26

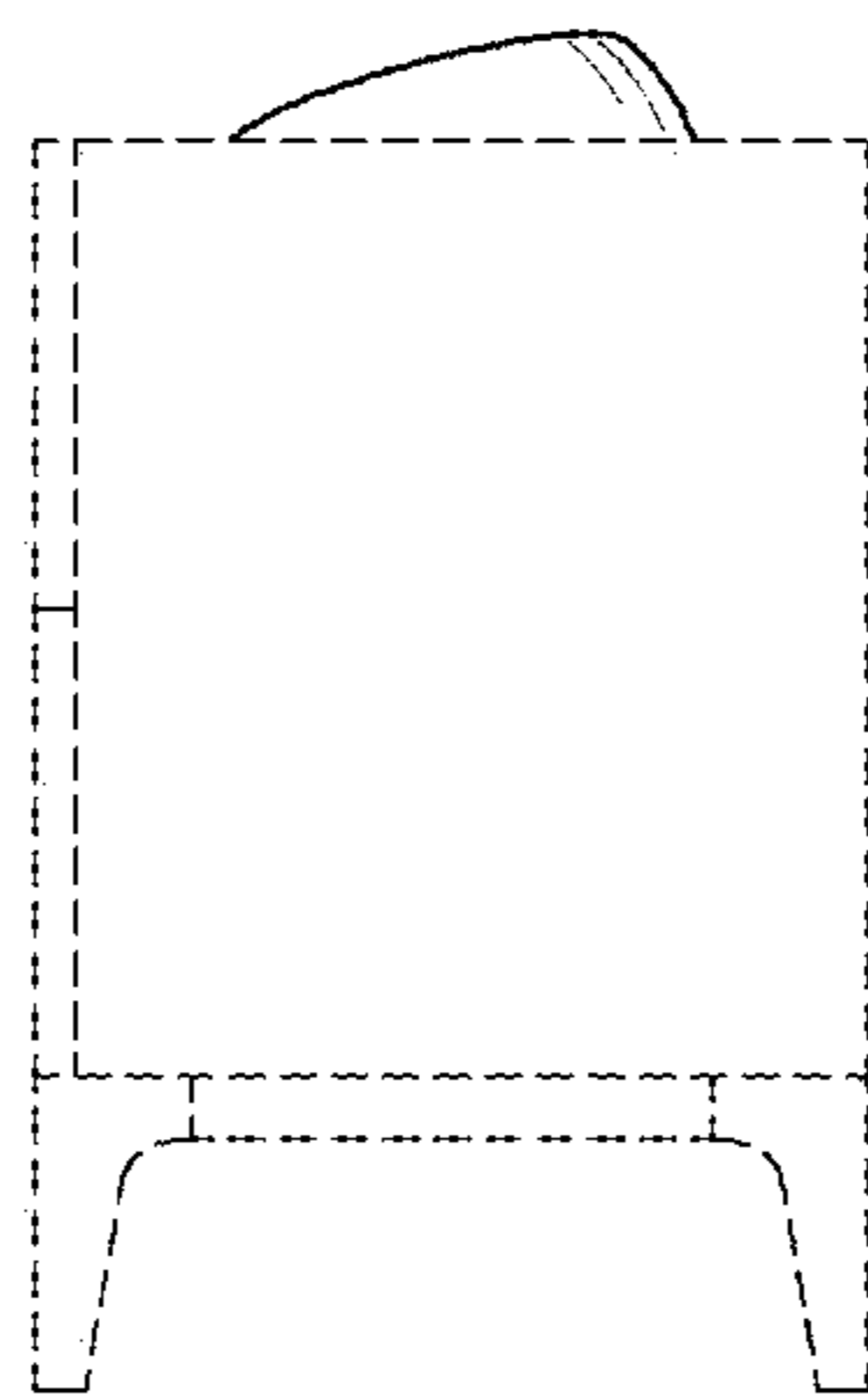


FIG. 27



FIG. 28

