



US00D923761S

(12) **United States Design Patent**  
**Hunter**

(10) **Patent No.:** **US D923,761 S**  
(45) **Date of Patent:** **\*\* Jun. 29, 2021**

- (54) **FLUME CHANNEL**
- (71) Applicant: **Steven Edward Hunter**, Wichita, KS (US)
- (72) Inventor: **Steven Edward Hunter**, Wichita, KS (US)
- (\*\*) Term: **15 Years**
- (21) Appl. No.: **29/727,506**
- (22) Filed: **Mar. 11, 2020**

**Related U.S. Application Data**

- (62) Division of application No. 29/707,039, filed on Sep. 25, 2019, now Pat. No. Des. 881,359.
- (51) **LOC (13) Cl.** ..... **23-01**
- (52) **U.S. Cl.**  
USPC ..... **D23/267; D25/119**
- (58) **Field of Classification Search**  
USPC ..... D23/259–266, 267; 52/11–12, 16, 302.1, 52/302.6; 404/2–5; 405/40–43, 119, 405/125; 249/12; 138/37; D25/36, D25/121–122, 164, 119, 123–124, 133, D25/139, 141–143  
CPC ..... E03F 1/003  
See application file for complete search history.

(56) **References Cited**

**U.S. PATENT DOCUMENTS**

- 3,344,569 A \* 10/1967 Cotten ..... E04B 1/7023 52/287.1
- 5,501,044 A \* 3/1996 Janesky ..... E04B 1/7023 404/4
- D425,605 S \* 5/2000 Palmisano ..... D23/267
- 6,301,836 B1 \* 10/2001 Richardson ..... E04D 13/064 248/48.1
- 6,308,470 B1 \* 10/2001 Durkovic ..... E02D 27/02 405/36
- D468,812 S \* 1/2003 Doyle ..... D23/267

- 6,786,011 B2 \* 9/2004 Mares ..... E04D 13/1415 52/302.6
- 6,912,813 B2 \* 7/2005 Grizenko ..... E04D 3/40 49/471
- D554,774 S \* 11/2007 Antonie ..... D25/119
- 7,832,150 B1 \* 11/2010 Pratt ..... E04B 1/7023 52/61

(Continued)

*Primary Examiner* — Amy C Wierenga  
(74) *Attorney, Agent, or Firm* — Hovey Williams LLP

(57) **CLAIM**

The ornamental design for a flume channel, as shown and described.

**DESCRIPTION**

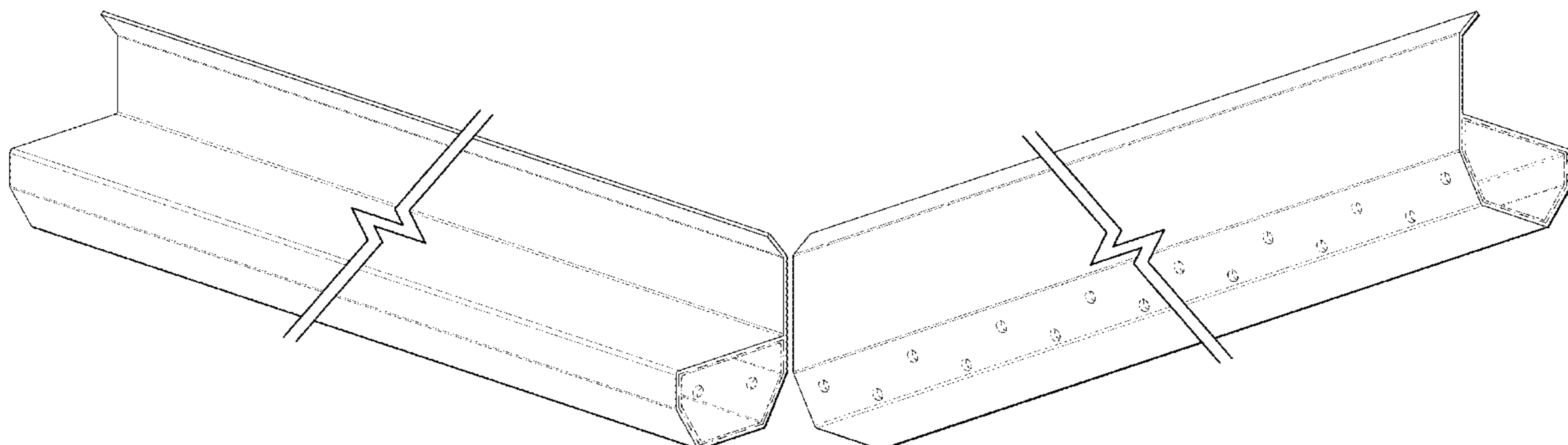
FIG. 1 is a front perspective view of a flume channel showing my design;  
 FIG. 2 is a rear perspective view of the flume channel shown in FIG. 1;  
 FIG. 3 is a front elevation view of the flume channel shown in FIGS. 1 and 2;  
 FIG. 4 is a side elevation view of the flume channel shown in FIGS. 1-3, with the opposite side elevation being a mirror image thereof;  
 FIG. 5 is a rear elevation view of the flume channel shown in FIGS. 1-4;  
 FIG. 6 is a top view of the flume channel shown in FIGS. 1-5; and,  
 FIG. 7 is a bottom view of the flume channel shown in FIGS. 1-6.

The evenly dashed broken lines in the drawings show portions of the flume channel that form no part of the claimed design. The dash-dot-dash broken lines depict boundaries of the claim that form no part thereof.

The flume channel is shown in FIGS. 1-3 and 5-7 with a symbolic break in its length.

The appearance of any portion of the flume channel between the break lines form no part of the claim.

**1 Claim, 5 Drawing Sheets**



(56)

**References Cited**

U.S. PATENT DOCUMENTS

8,186,127 B1 \* 5/2012 Pratt ..... E02D 31/02  
52/741.11  
D674,889 S \* 1/2013 Mims ..... D23/386  
8,631,617 B2 \* 1/2014 Janesky ..... E04B 1/7675  
52/282.1  
8,689,507 B2 \* 4/2014 Chandler ..... E02D 31/02  
52/302.3  
D831,178 S \* 10/2018 Van Wingerden ..... A01G 9/047  
D23/267  
D898,168 S \* 10/2020 Wagaman ..... D23/267  
2005/0025567 A1 \* 2/2005 Bricker ..... E03F 3/046  
404/2  
2007/0044396 A1 \* 3/2007 Janesky ..... E02D 31/02  
52/169.5  
2008/0190045 A1 \* 8/2008 Janesky ..... E02D 31/02  
52/169.5  
2011/0041426 A1 \* 2/2011 Trotter ..... E02D 31/02  
52/169.5

\* cited by examiner

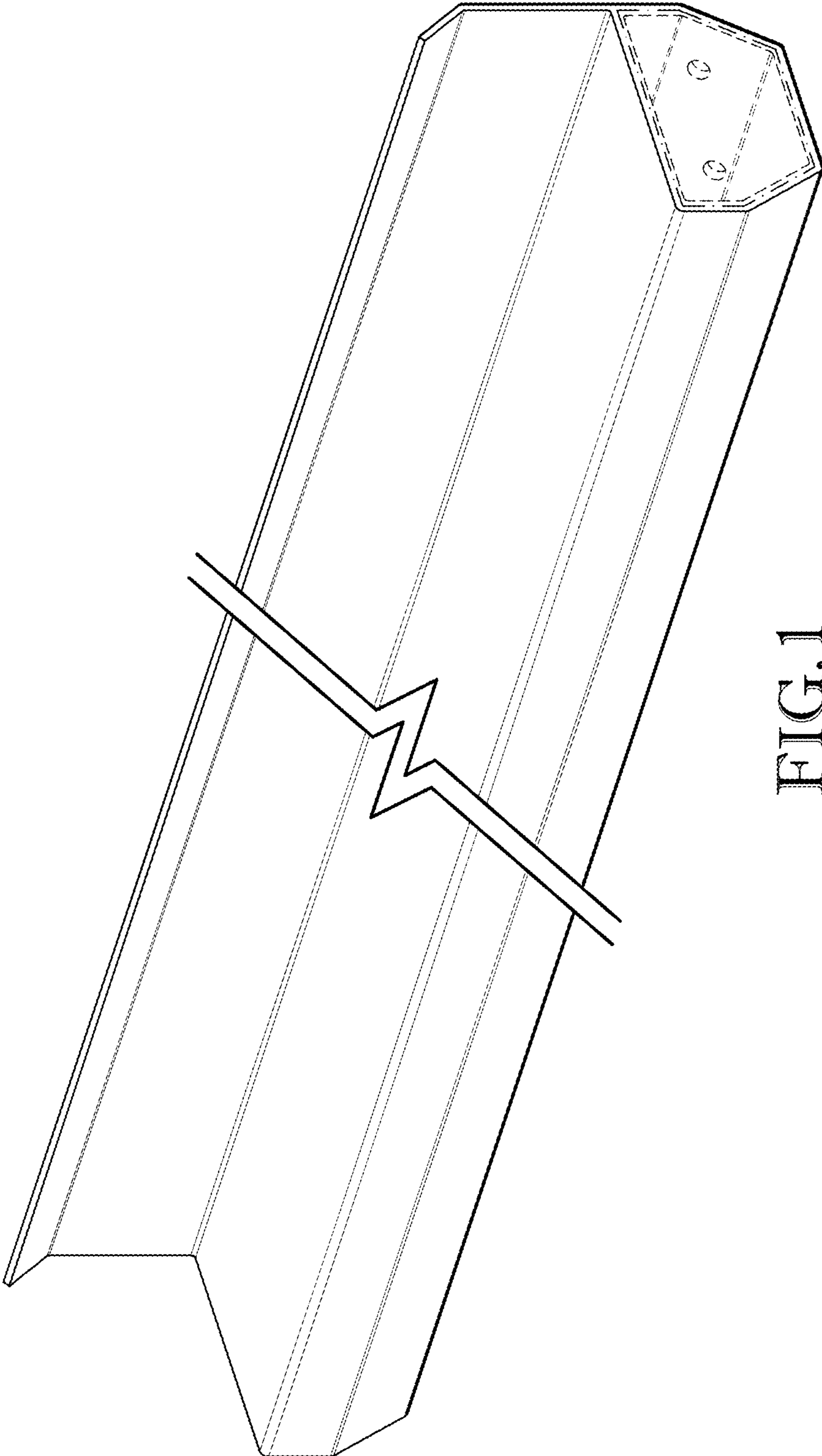


FIG. 1

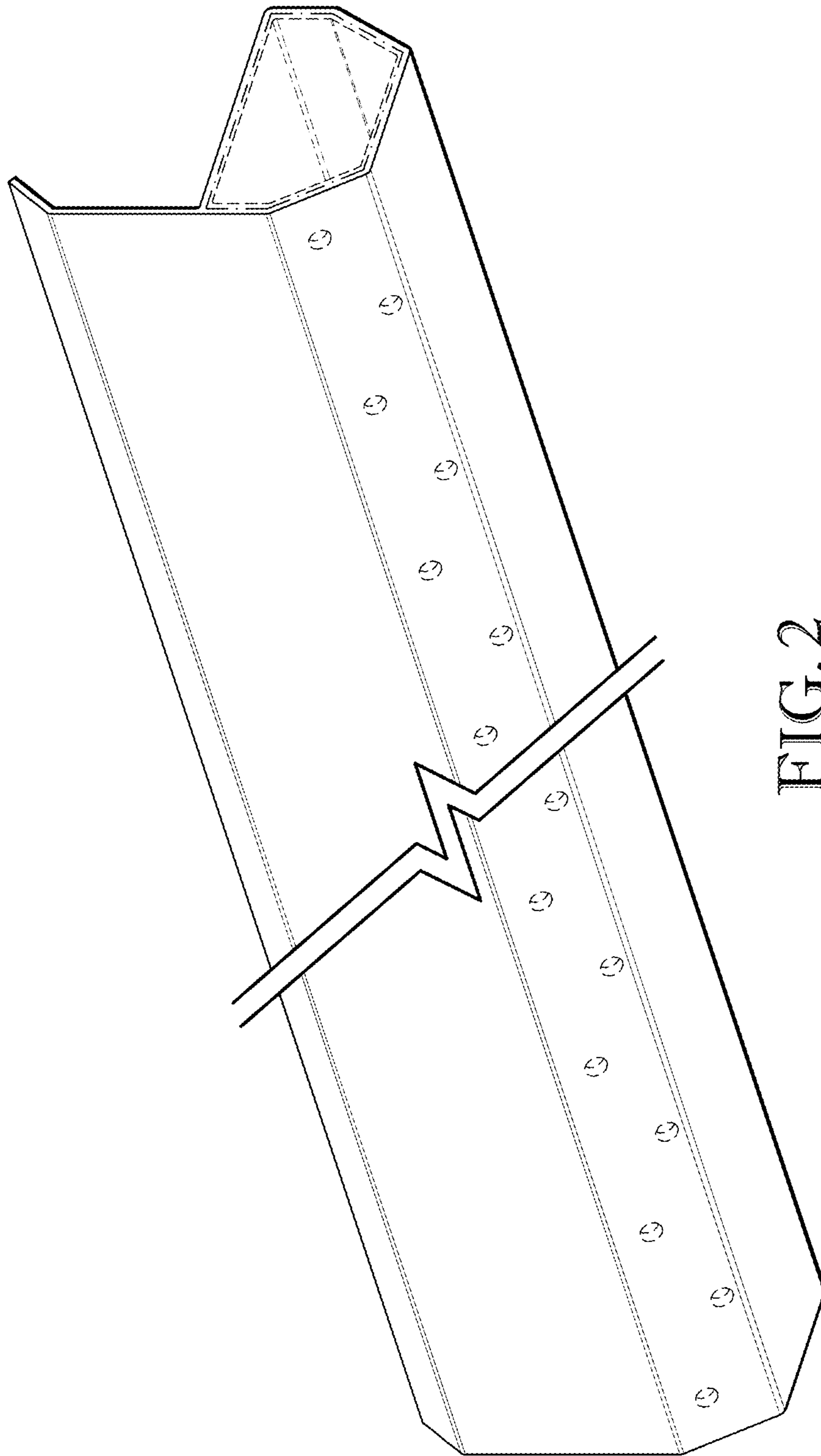


FIG. 2

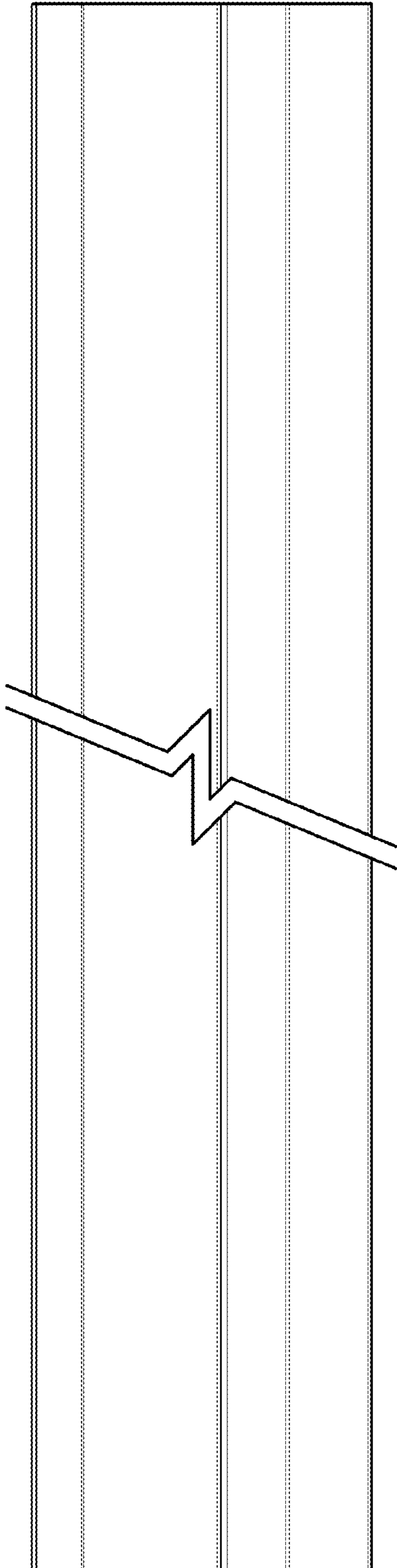


FIG. 3

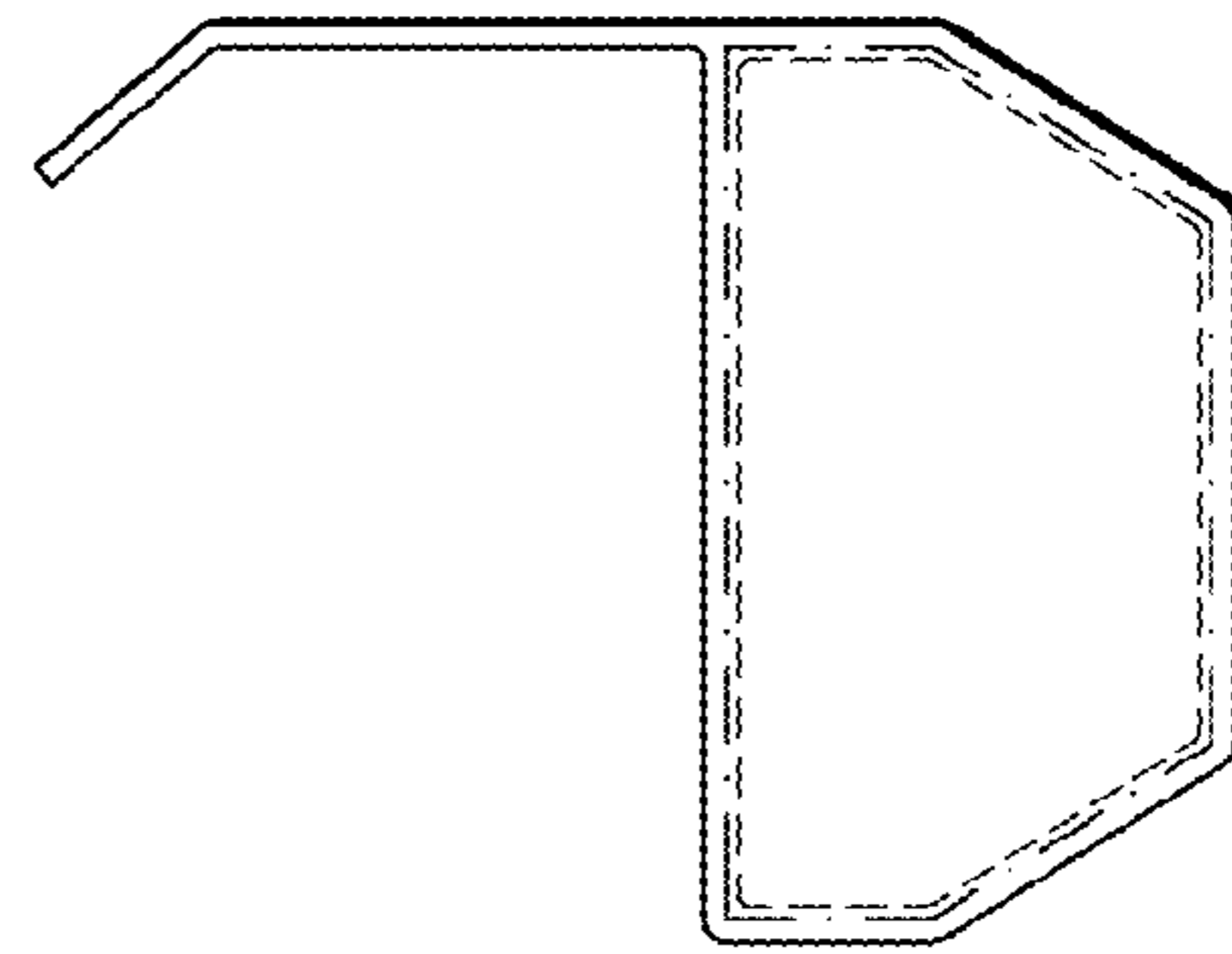


FIG. 4

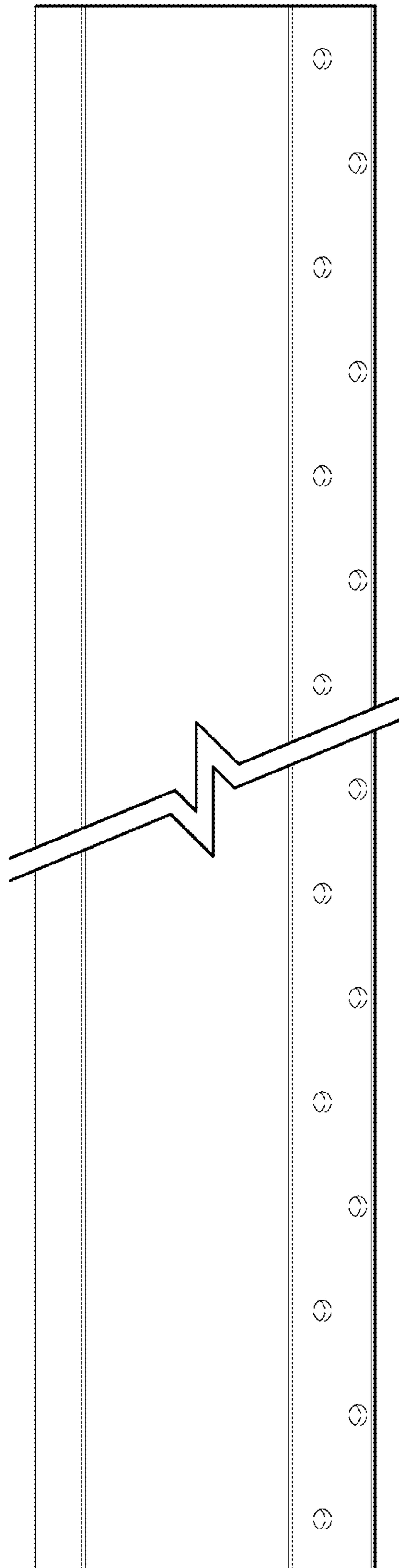


FIG. 5

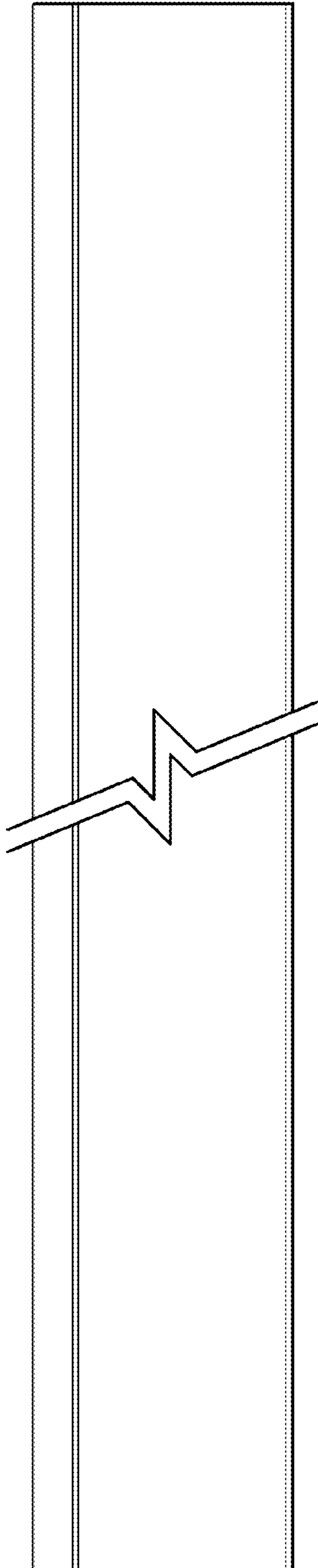


FIG. 6

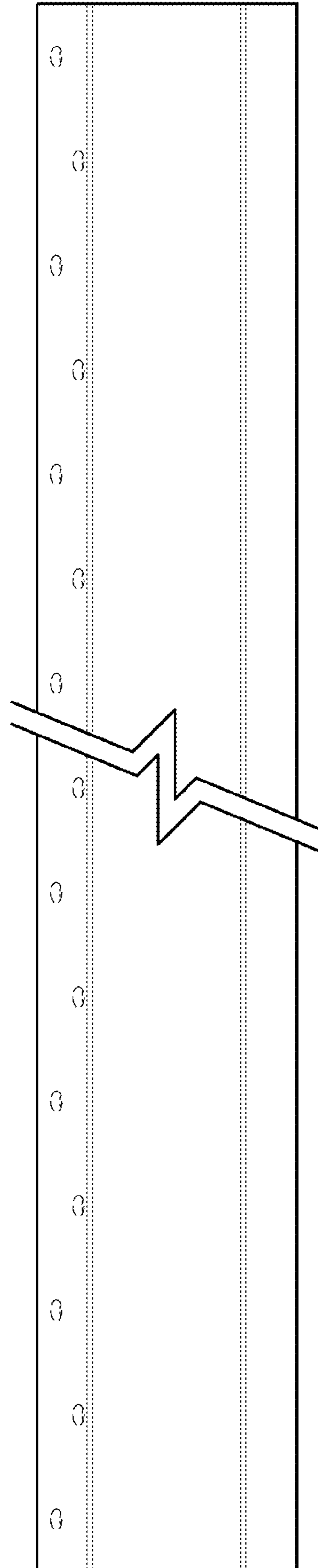


FIG. 7