



US00D923760S

(12) **United States Design Patent**
Graves

(10) **Patent No.:** **US D923,760 S**

(45) **Date of Patent:** **** Jun. 29, 2021**

(54) **GUTTER COVER**

(71) Applicant: **Steven Graves**, Caledon (CA)

(72) Inventor: **Steven Graves**, Caledon (CA)

(**) Term: **15 Years**

(21) Appl. No.: **29/676,184**

(22) Filed: **Jan. 9, 2019**

(30) **Foreign Application Priority Data**

Dec. 14, 2018 (CA) 185336

(51) **LOC (13) Cl.** **23-01**

(52) **U.S. Cl.**
USPC **D23/267**

(58) **Field of Classification Search**
USPC D23/266, 259, 260–263, 265, 267;
52/11–12, 16
CPC E04D 13/072
See application file for complete search history.

(56) **References Cited**

U.S. PATENT DOCUMENTS

6,786,008	B2	9/2004	Brochu	
D523,538	S *	6/2006	Brochu	D23/267
7,614,185	B2 *	11/2009	Brochu	E04D 13/076 52/11
7,908,797	B2	3/2011	Graves	
D651,292	S *	12/2011	Geers	D23/267
8,316,585	B2 *	11/2012	Brochu	E04D 3/364 52/11
D672,016	S *	12/2012	Walker	D23/267
8,322,082	B2	12/2012	Neumann	
8,434,269	B1 *	5/2013	Brochu	E04D 13/076 52/12
8,695,282	B2	4/2014	Glander	
D782,624	S *	3/2017	Haendel	D23/267
2002/0166290	A1 *	11/2002	Bergeron	E04D 13/076 52/12

2007/0169423	A1 *	7/2007	Brochu	E04D 13/076 52/12
2008/0010906	A1 *	1/2008	Brochu	E04D 13/076 52/12
2008/0190040	A1 *	8/2008	Graves	E04D 13/076 52/12
2009/0108144	A1 *	4/2009	Brochu	E04D 13/076 248/48.1
2011/0138698	A1 *	6/2011	Neumann	E04D 13/076 52/12
2012/0151849	A1 *	6/2012	Brochu	E04D 13/076 52/12

(Continued)

Primary Examiner — Amy C Wierenga

(57) **CLAIM**

I claim the ornamental design for a gutter cover, as shown and described.

DESCRIPTION

FIG. 1 shows a top, front and left side perspective view of a gutter cover showing the design.

FIG. 2 is a perspective rear, top and left side view thereof;

FIG. 3 is a top plan view thereof;

FIG. 4 shows a bottom plan view thereof;

FIG. 5 shows a left side view thereof;

FIG. 6 shows a right side view thereof;

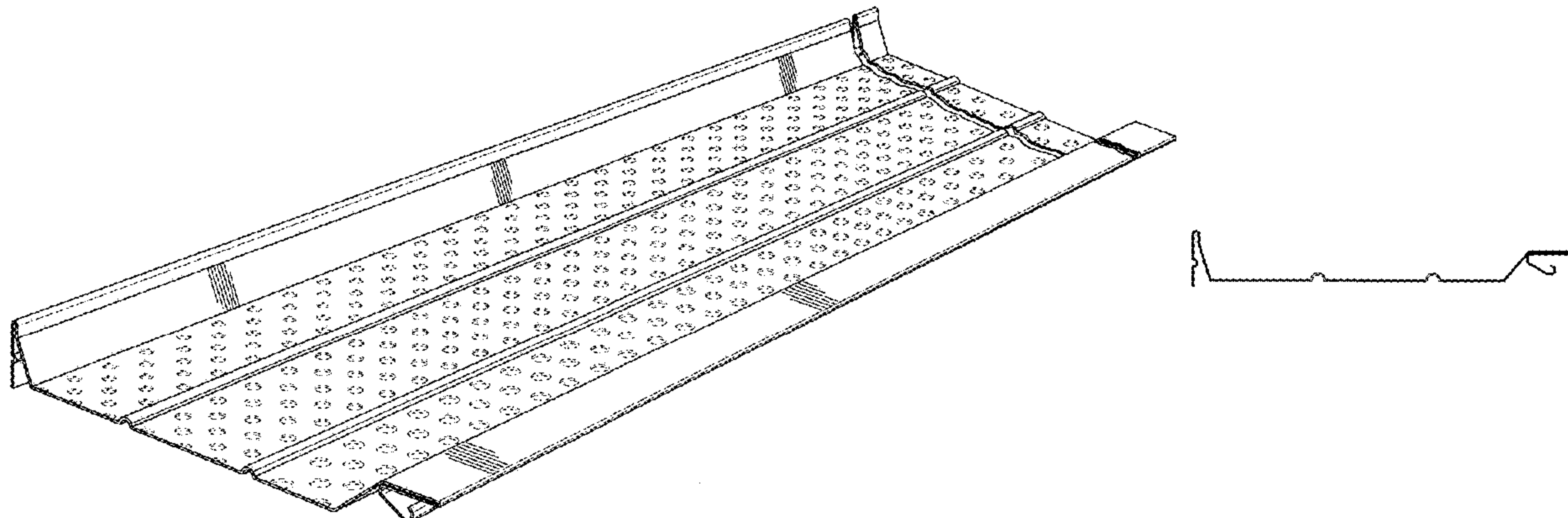
FIG. 7 shows a front end view thereof;

FIG. 8 shows a rear end view thereof; and,

FIG. 9 shows a perspective top, front and left side view of the gutter cover shown in FIG. 1 in its environment mounted over an eavestrough gutter.

The dashed broke lines in the drawings illustrate portions of the gutter cover that form no part of the claim. The gutter cover is shown with a symbolic break in its length. The appearance of any portion of the article between the break lines forms no part of the claim.

1 Claim, 6 Drawing Sheets



(56)

References Cited

U.S. PATENT DOCUMENTS

2016/0168857 A1* 6/2016 Neumann E04D 13/0645
52/16

* cited by examiner

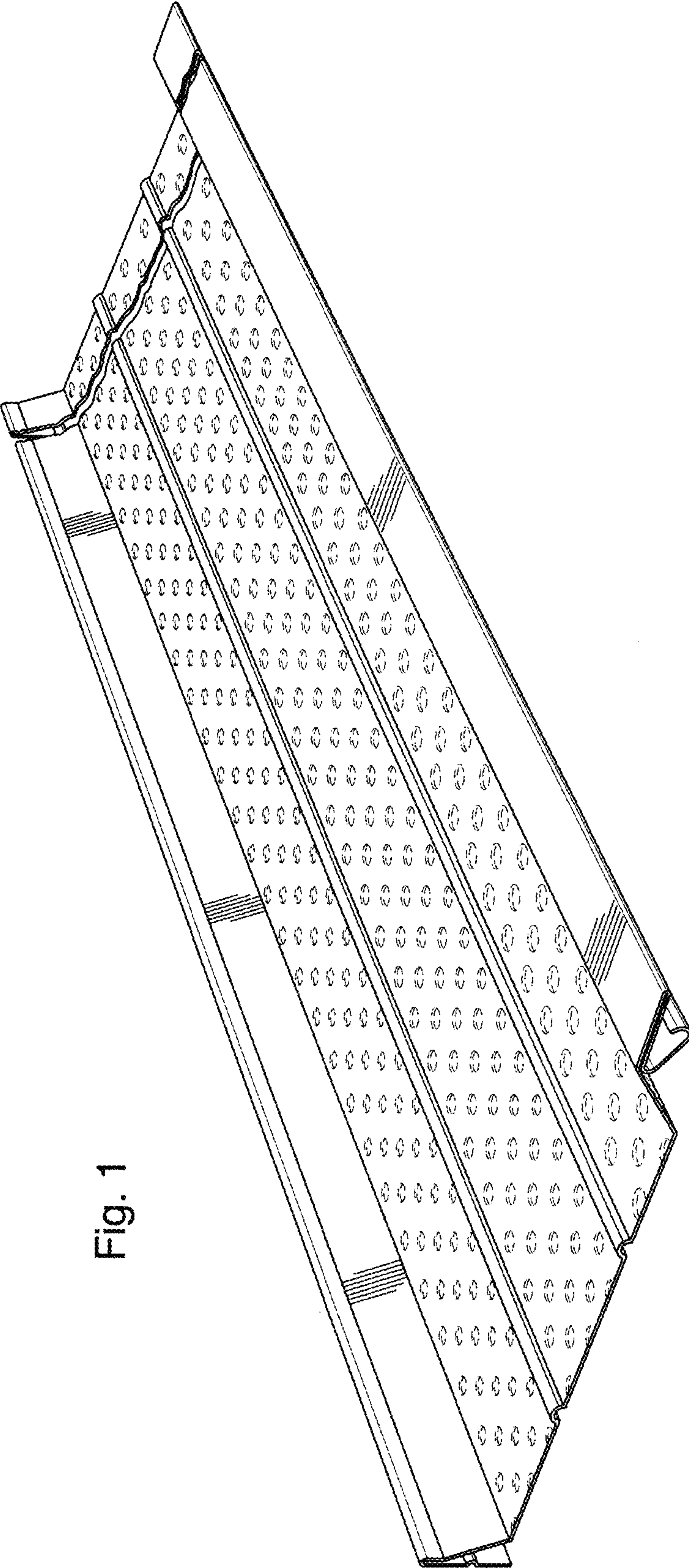


Fig. 1

Fig. 2

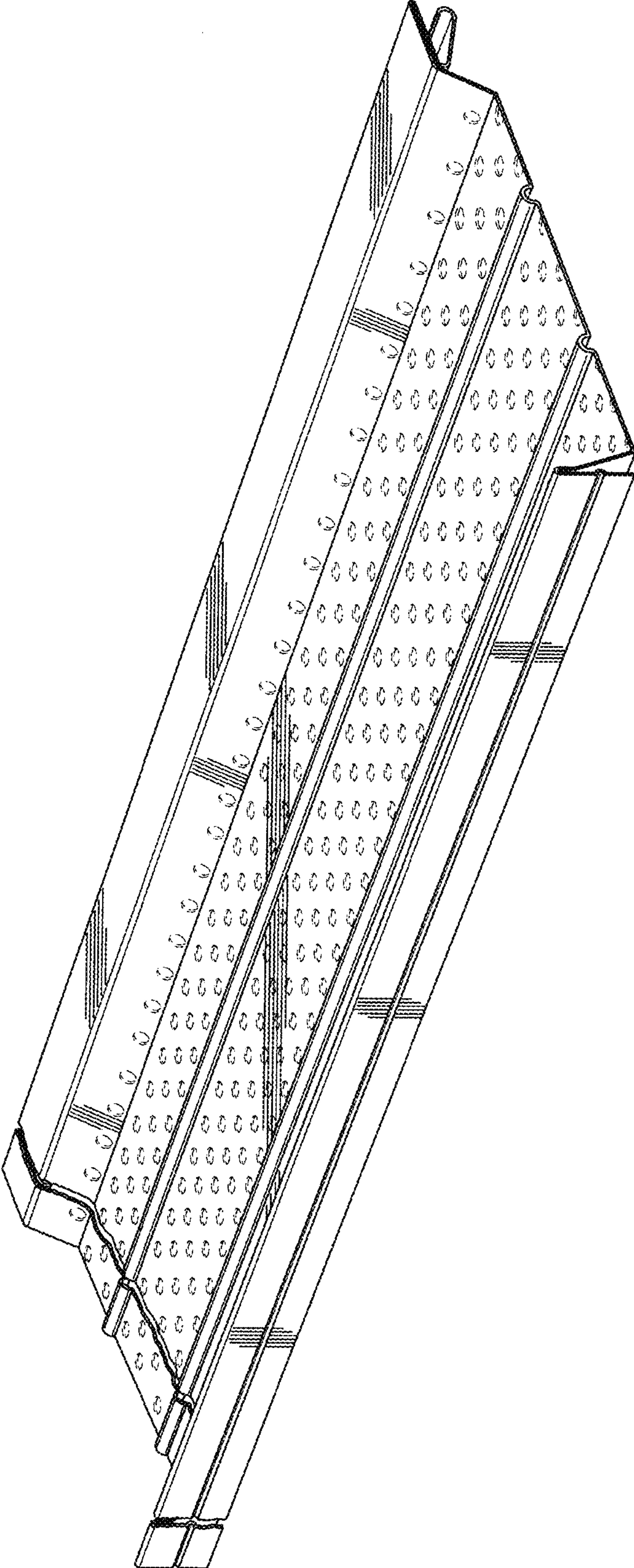


Fig. 3

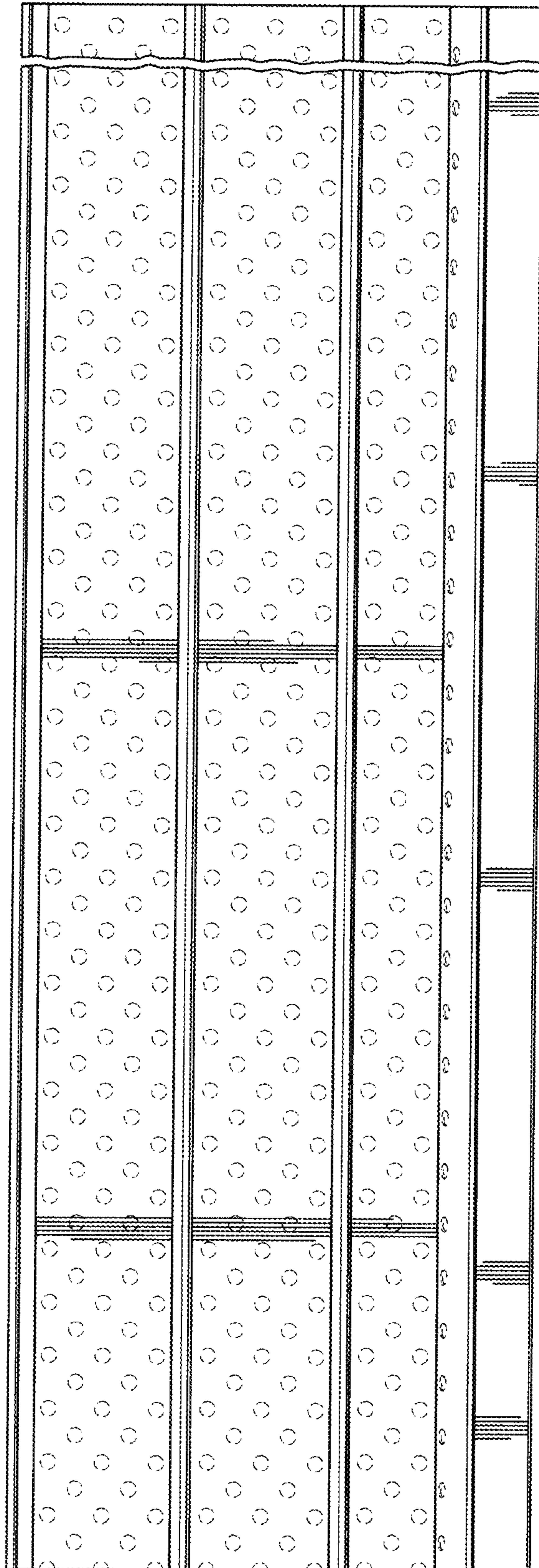


Fig. 4

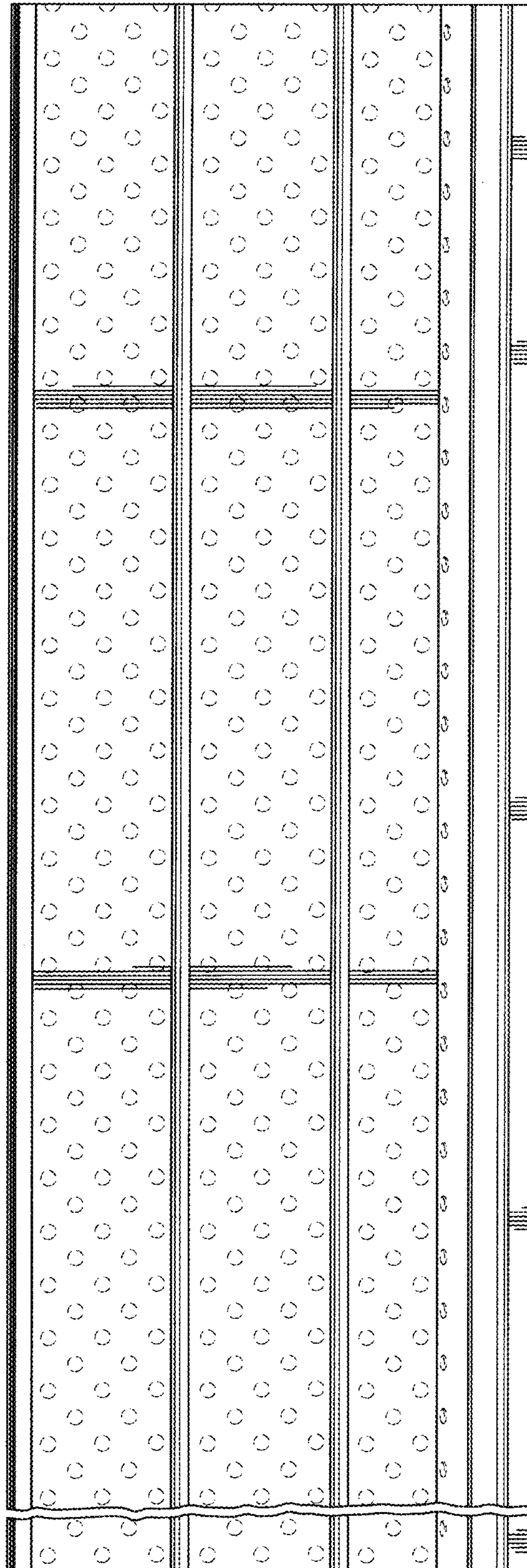


Fig. 5

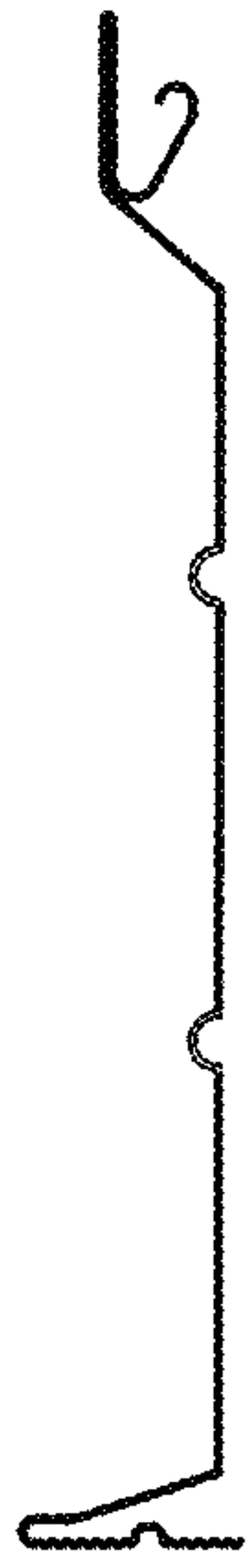


Fig. 6

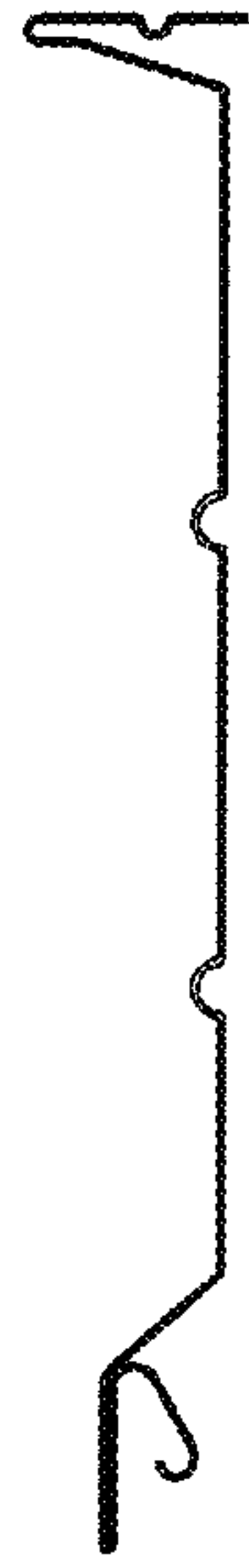
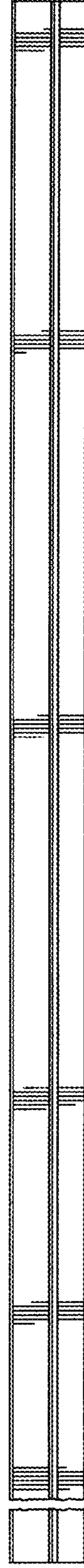


Fig. 7



Fig. 8



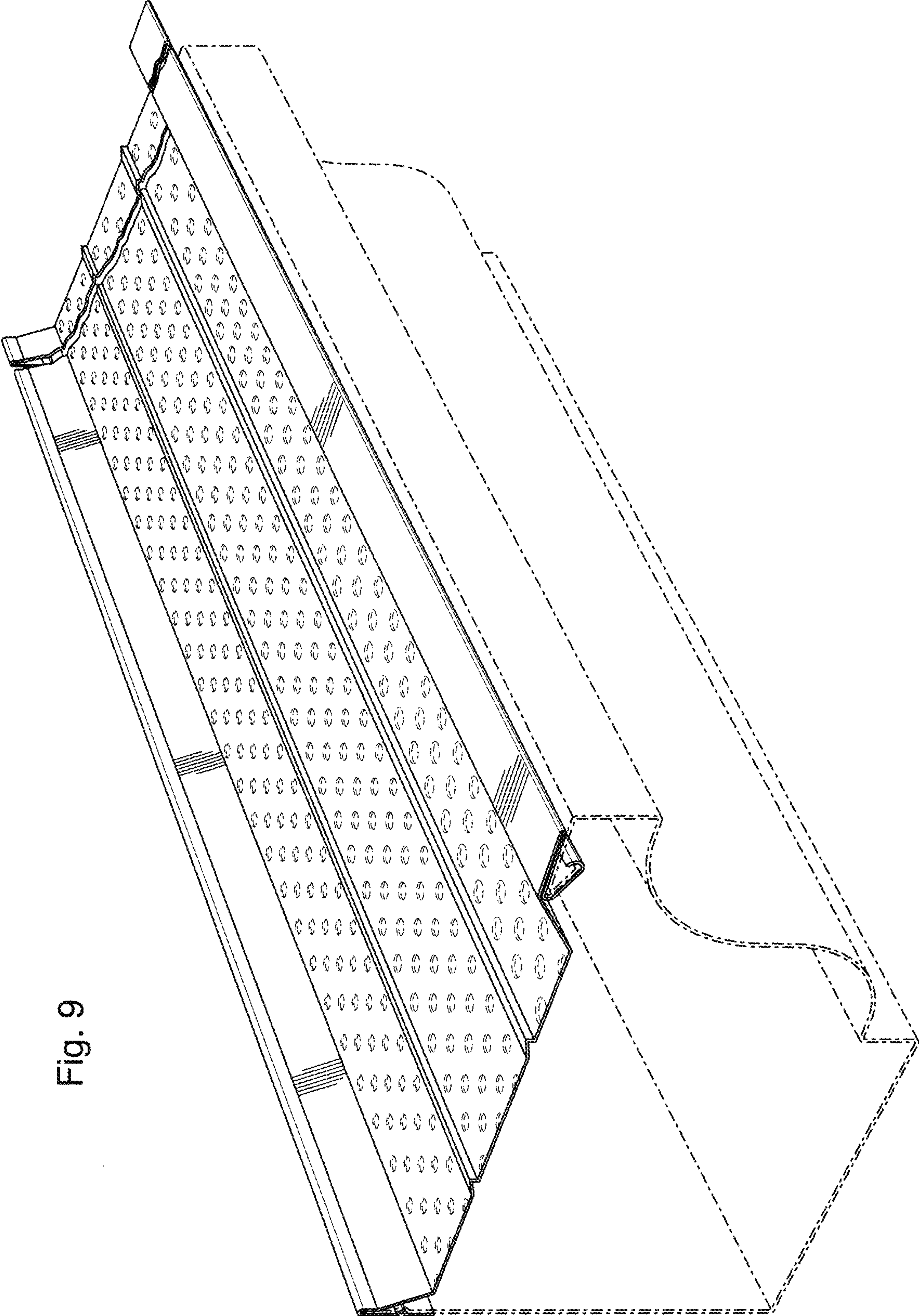


Fig. 9