



US00D923759S

(12) **United States Design Patent**  
**Su**

(10) **Patent No.:** **US D923,759 S**  
(45) **Date of Patent:** **\*\* Jun. 29, 2021**

(54) **SEWER HOSE KIT**  
(71) Applicant: **Hangzhou Qingmeng Furnishing Co., Ltd.**, Hangzhou (CN)  
(72) Inventor: **Peng Su**, Suichang (CN)  
(\*\*) Term: **15 Years**  
(21) Appl. No.: **29/717,751**  
(22) Filed: **Dec. 19, 2019**  
(51) **LOC (13) Cl.** ..... **23-01**  
(52) **U.S. Cl.**  
USPC ..... **D23/266**  
(58) **Field of Classification Search**  
USPC ..... D23/259, 266, 262, 324; 138/28,  
138/108-109, 118, 118.1, 129, 137,  
138/172-174, 121, 110, 96 R; 285/53,  
285/417-419  
CPC ..... F16L 27/08  
See application file for complete search history.

5,897,083 A \* 4/1999 Johnson ..... B60R 15/04  
248/75  
7,036,524 B2 \* 5/2006 Kennedy ..... B60R 15/04  
137/355.12  
8,826,939 B2 \* 9/2014 Damaske ..... F16L 15/08  
137/899  
9,303,802 B1 \* 4/2016 Price ..... F16L 41/023  
10,330,229 B1 \* 6/2019 Angel ..... F16L 11/111  
2015/0075624 A1 \* 3/2015 Mahaffa ..... B67D 7/002  
137/1  
2017/0175934 A1 \* 6/2017 Bledsoe ..... E03F 3/06

**FOREIGN PATENT DOCUMENTS**

CN 306027915 \* 9/2020

\* cited by examiner

*Primary Examiner* — Amy C Wierenga

(74) *Attorney, Agent, or Firm* — Rumit Ranjit Kanakia

(57) **CLAIM**

I claim the ornamental design for a sewer hose kit, as shown and described.

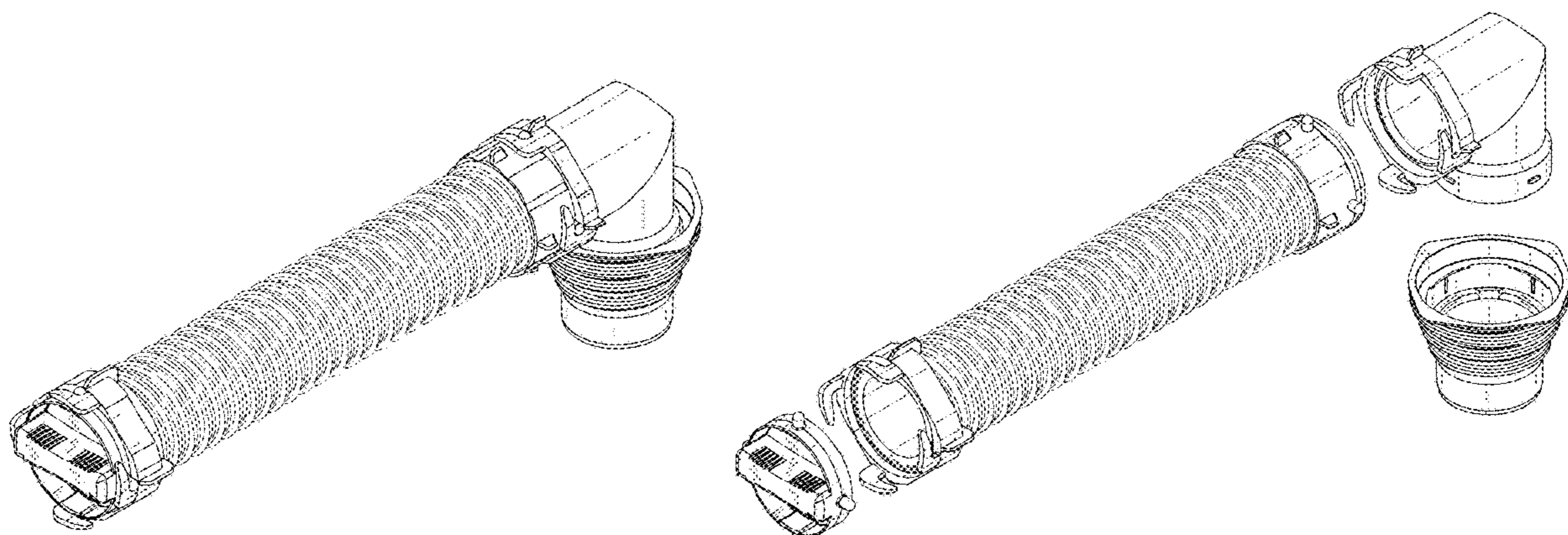
**DESCRIPTION**

FIG. 1 is a perspective view of a sewer hose kit showing my new design;  
FIG. 2 is an exploded perspective view thereof;  
FIG. 3 is a front view thereof;  
FIG. 4 is a back view thereof;  
FIG. 5 is a right-side view thereof;  
FIG. 6 is a left-side thereof;  
FIG. 7 is a top view thereof; and,  
FIG. 8 is a bottom view thereof.

**1 Claim, 7 Drawing Sheets**

(56) **References Cited**  
**U.S. PATENT DOCUMENTS**

4,180,102 A \* 12/1979 Larkin ..... B60R 15/00  
138/106  
4,643,229 A \* 2/1987 Hickin ..... B60R 15/00  
138/109  
4,796,926 A \* 1/1989 Rapsilver ..... E03F 1/008  
141/311 R  
4,854,349 A \* 8/1989 Foreman ..... B60R 15/00  
138/89  
5,226,456 A \* 7/1993 Semak ..... F16L 3/26  
138/107  
5,324,001 A \* 6/1994 Duke ..... B60R 15/00  
251/147



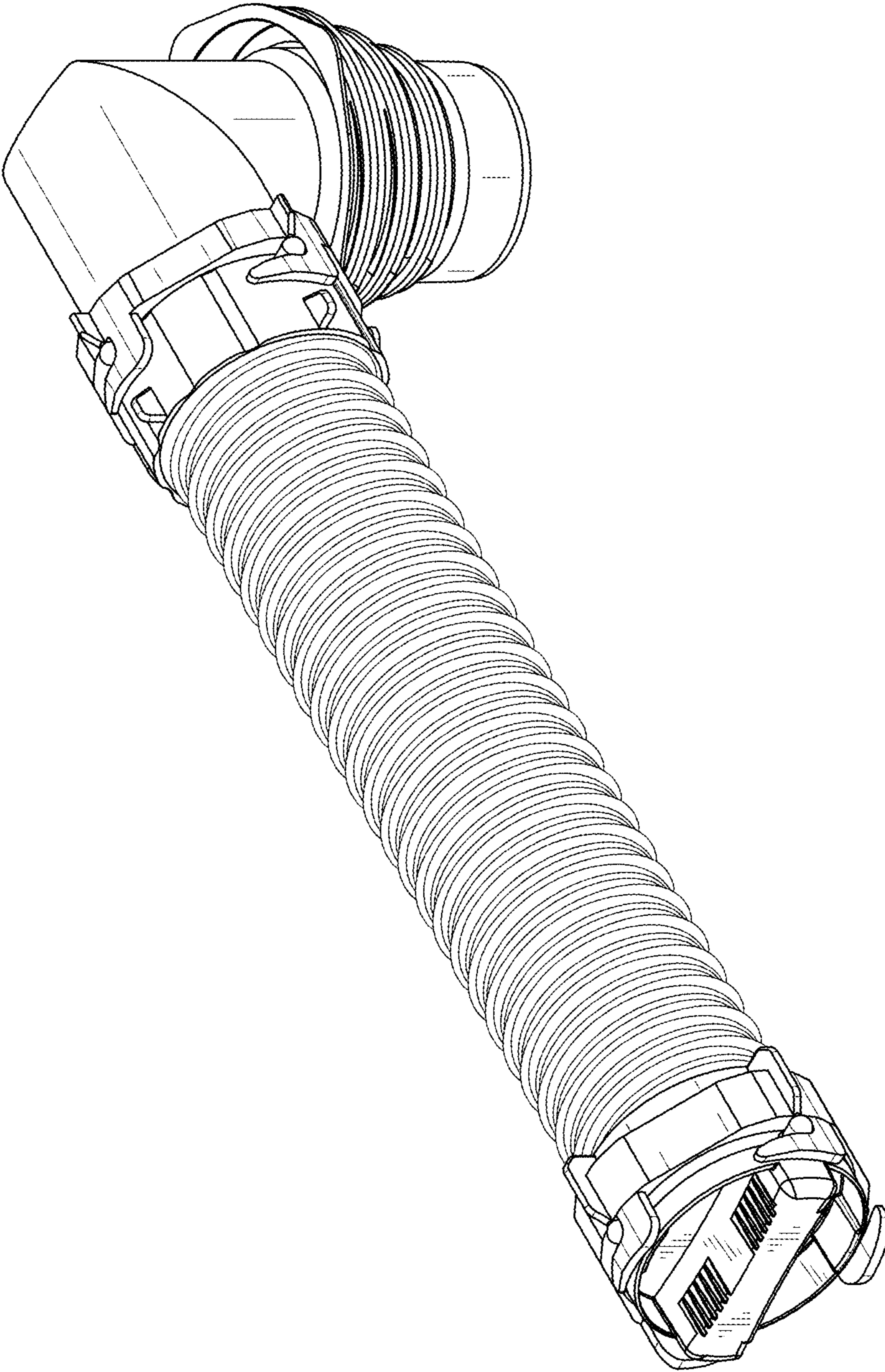


FIG. 1

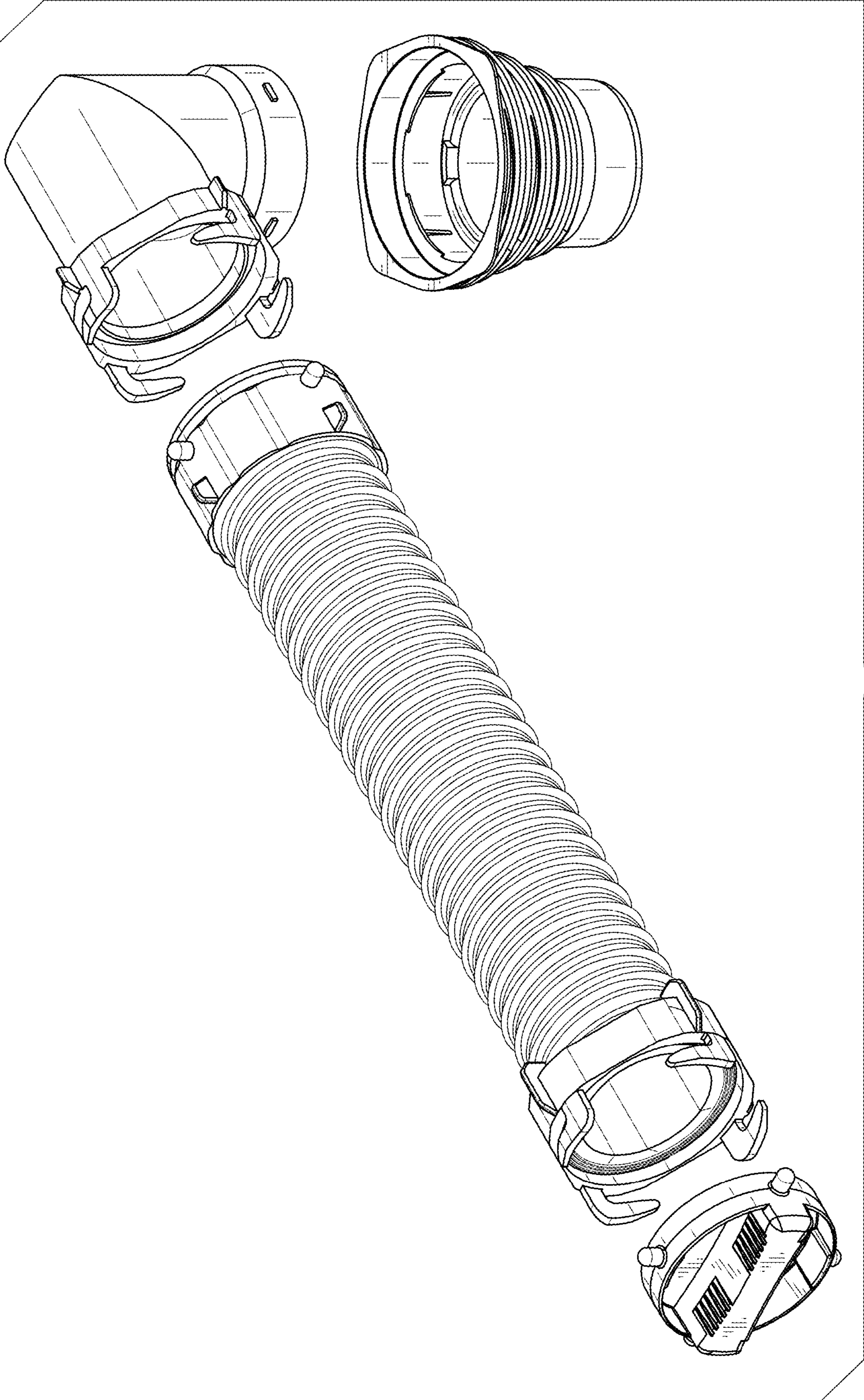


FIG. 2

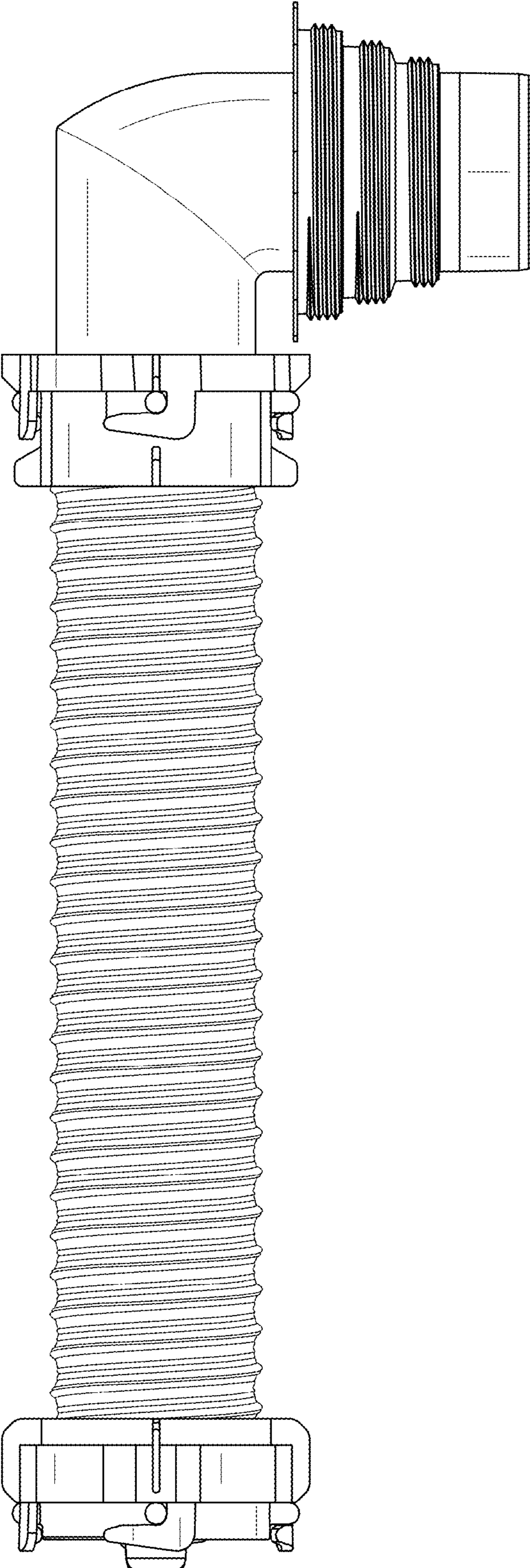


FIG. 3

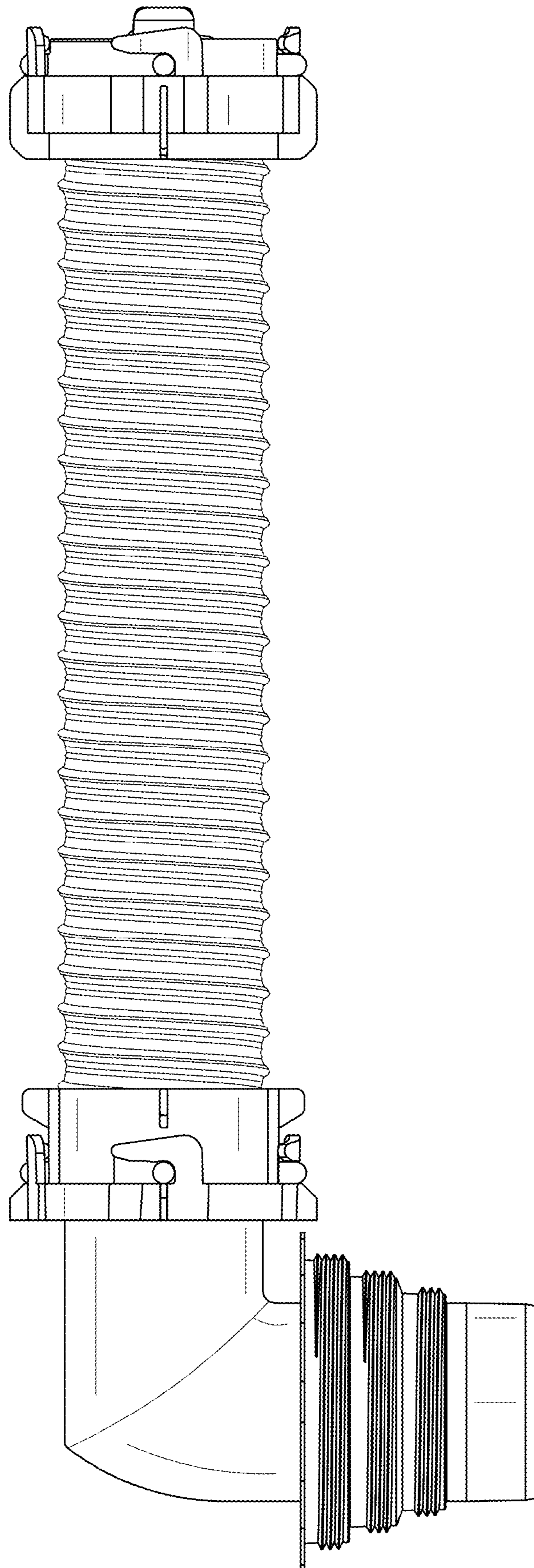


FIG. 4

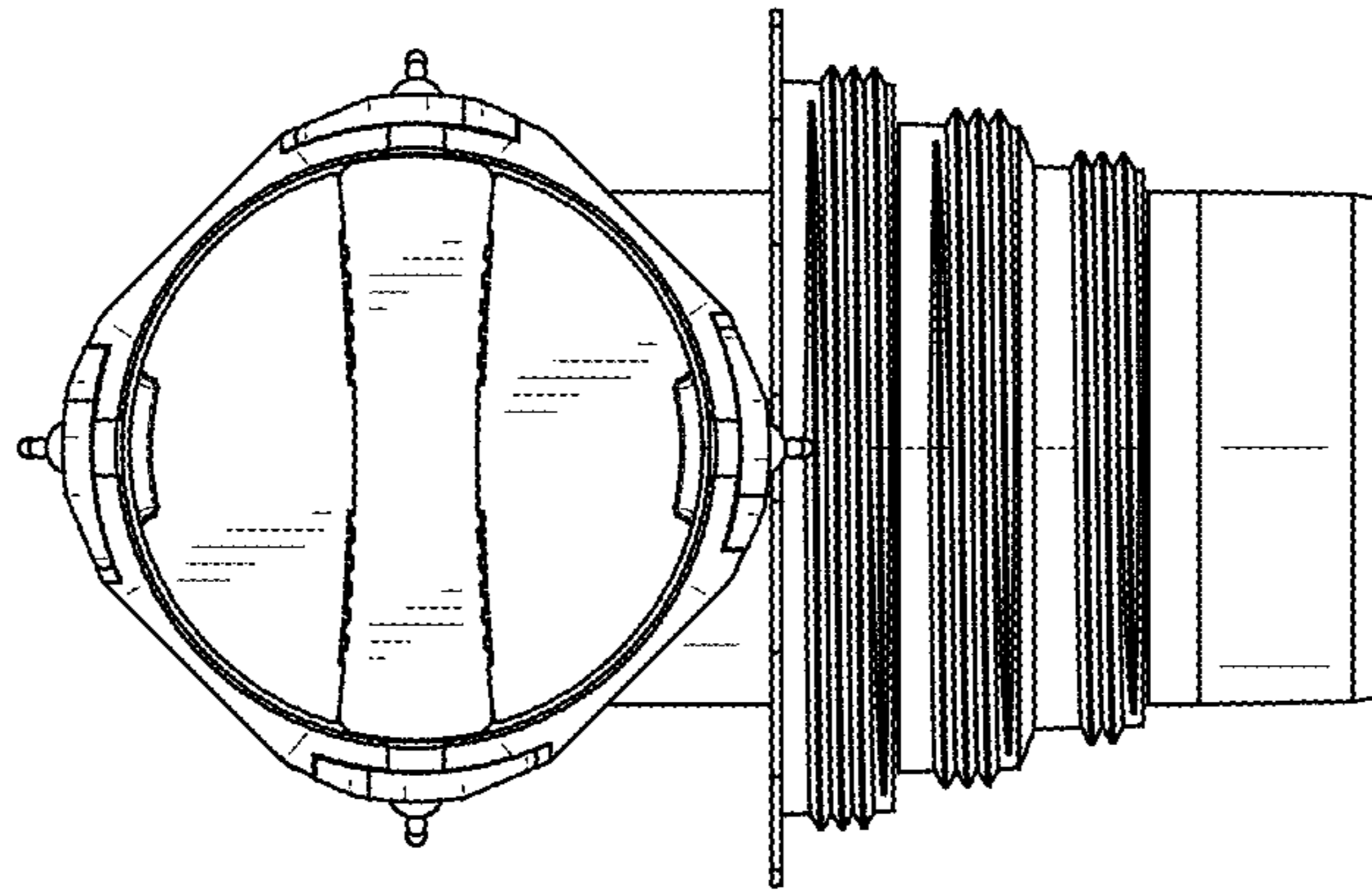


FIG. 5

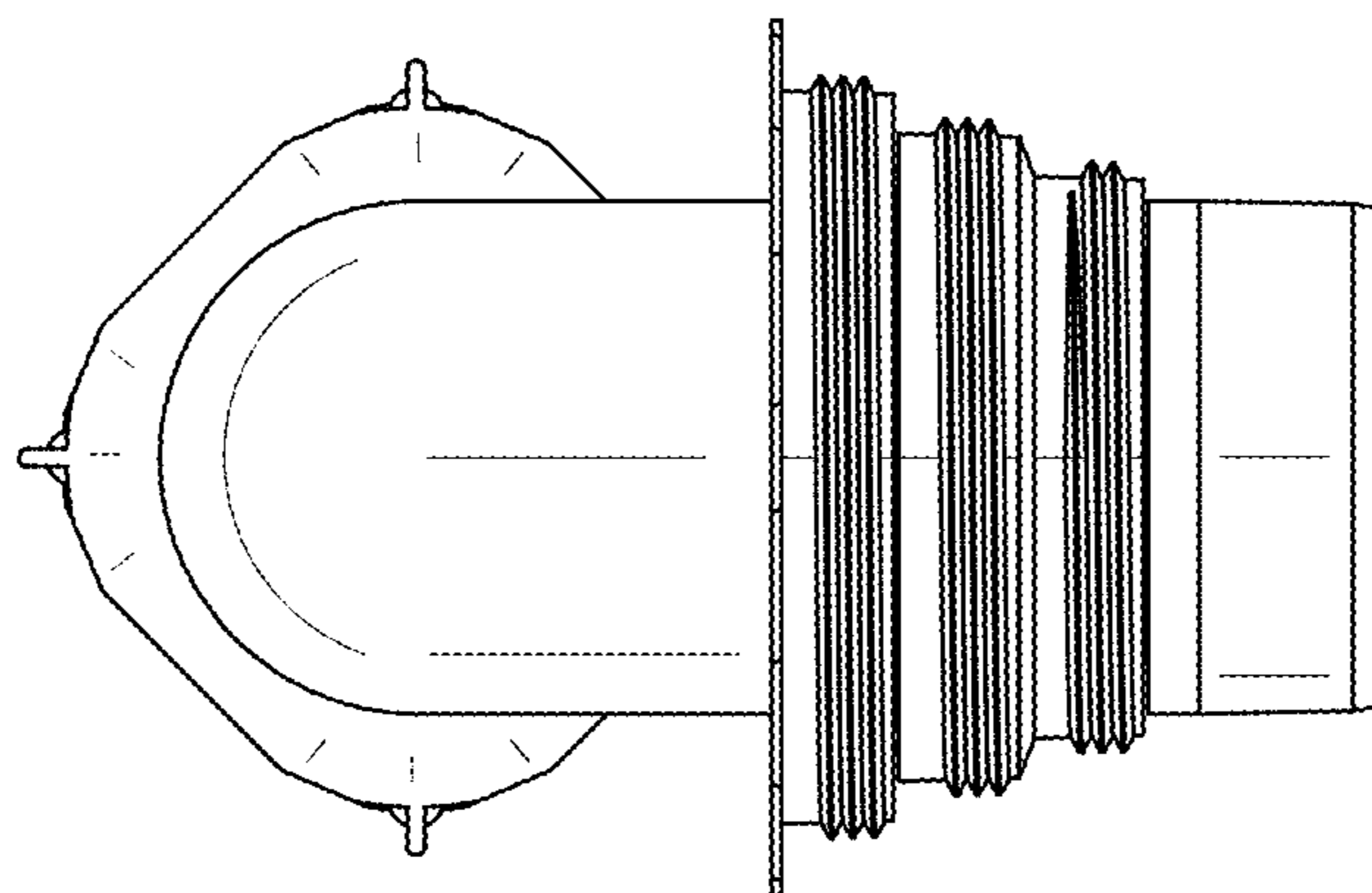


FIG. 6

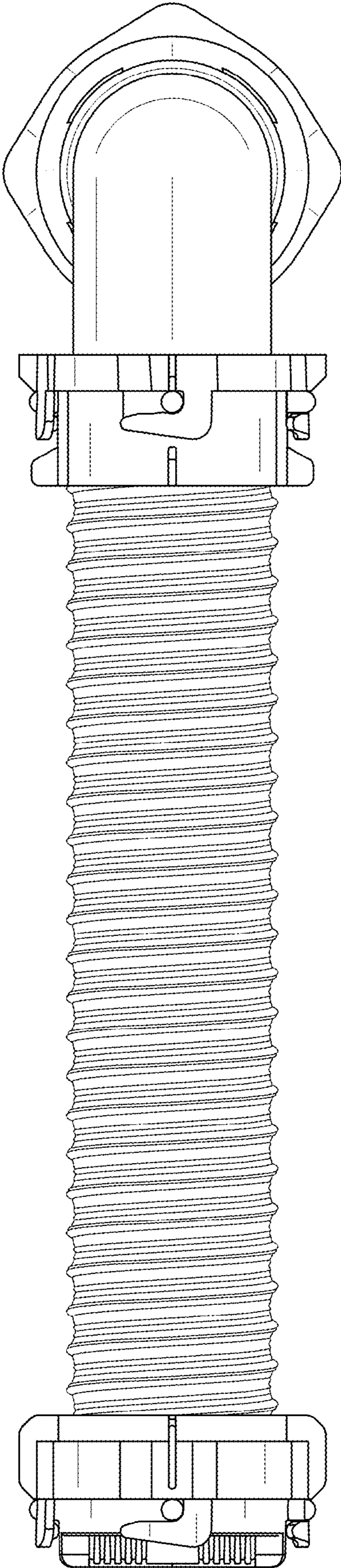


FIG. 7

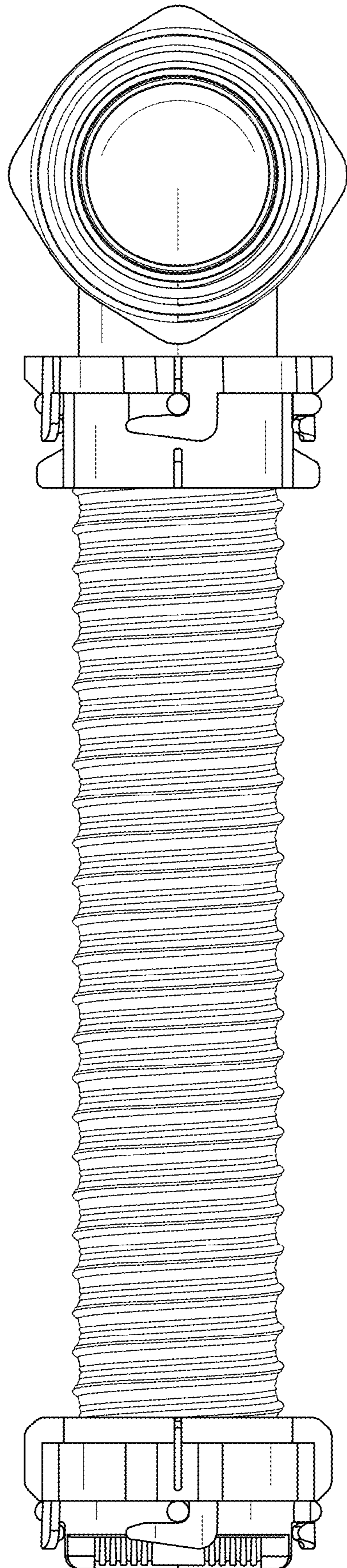


FIG. 8