



US00D923758S

(12) **United States Design Patent**
Dangerfield

(10) **Patent No.:** **US D923,758 S**

(45) **Date of Patent:** **** Jun. 29, 2021**

(54) **FLOOR GRATE INSERT ASSEMBLY**

(71) Applicant: **Galaxy Importers Pty Limited,**
Robina (AU)

(72) Inventor: **Wayne Alan Dangerfield,** Robina (AU)

(**) Term: **15 Years**

(21) Appl. No.: **29/674,446**

(22) Filed: **Dec. 21, 2018**

(30) **Foreign Application Priority Data**

Jul. 25, 2018 (AU) 201814451

(51) **LOC (13) Cl.** **23-01**

(52) **U.S. Cl.**
USPC **D23/261**

(58) **Field of Classification Search**
USPC D23/267, 259–262, 265–266;
210/163–164; 52/169.5; 4/613, 679,
4/684, 689
CPC E02D 31/02; E03F 3/046; A47K 3/40
See application file for complete search history.

(56) **References Cited**

U.S. PATENT DOCUMENTS

D259,950 S * 7/1981 Henry D23/259
D355,707 S * 2/1995 Emanuele D23/259
D377,389 S * 1/1997 Phillips D23/261
D519,618 S * 4/2006 Audette D23/261
7,246,472 B2 * 7/2007 Nielsen E03F 5/0406
52/302.3
D582,527 S * 12/2008 Wang D23/261

7,774,870 B2 * 8/2010 Griffin E04H 4/1236
4/507
8,239,974 B2 * 8/2012 Erlebach E03F 5/04
4/291
9,777,489 B2 * 10/2017 Gomo E04F 17/00
2006/0239773 A1 * 10/2006 Meyers E03F 3/046
404/2
2011/0067175 A1 * 3/2011 Steylaerts E03F 5/0408
4/679
2011/0203979 A1 * 8/2011 Schlueter E03F 5/04
210/164
2017/0241145 A1 * 8/2017 Gomo B66B 13/301
2018/0038091 A1 * 2/2018 Ismert E03F 5/0401

* cited by examiner

Primary Examiner — Amy C Wierenga

(74) *Attorney, Agent, or Firm* — Legends Law Group,
PLLC; Stephen H. Bean, Esq.

(57) **CLAIM**

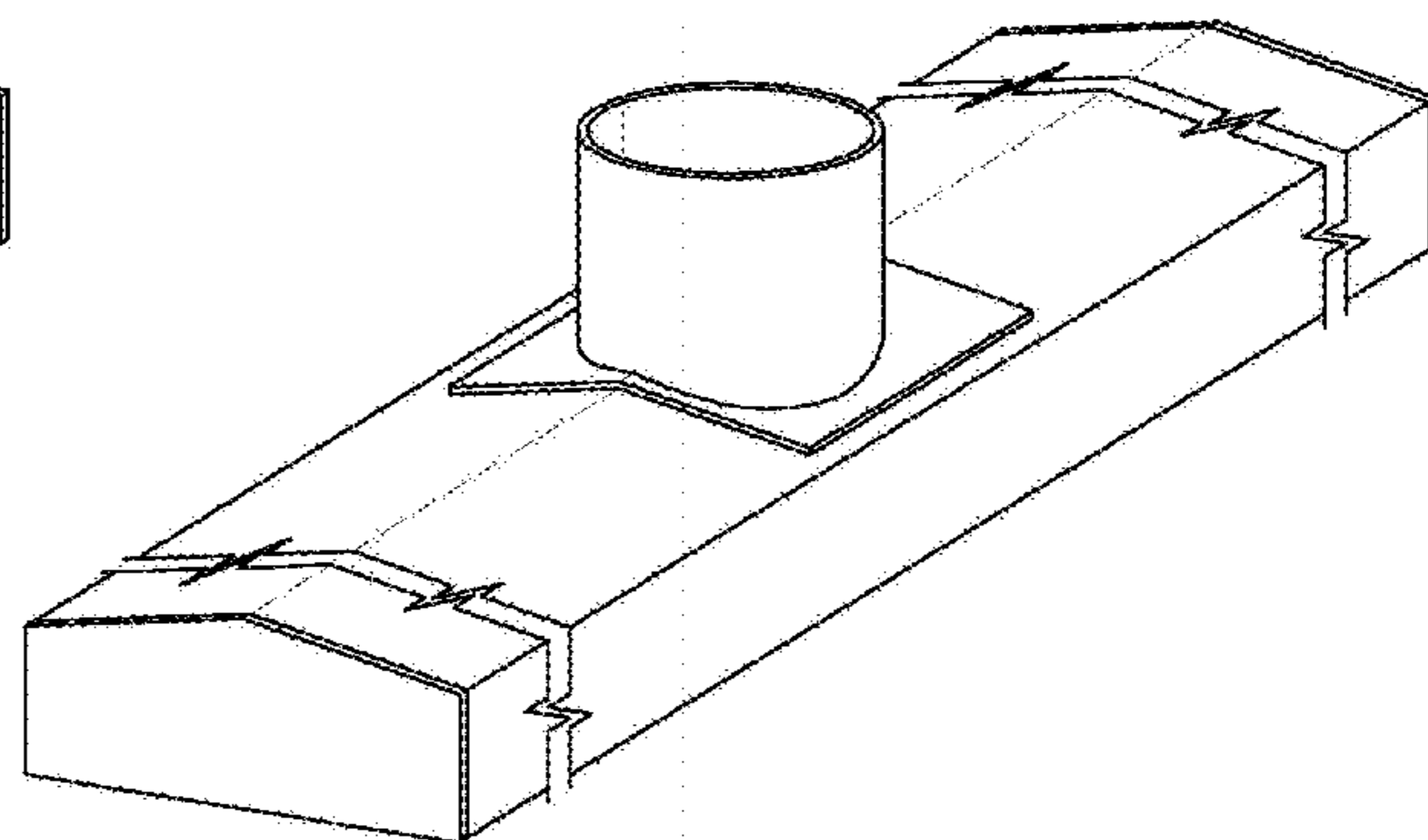
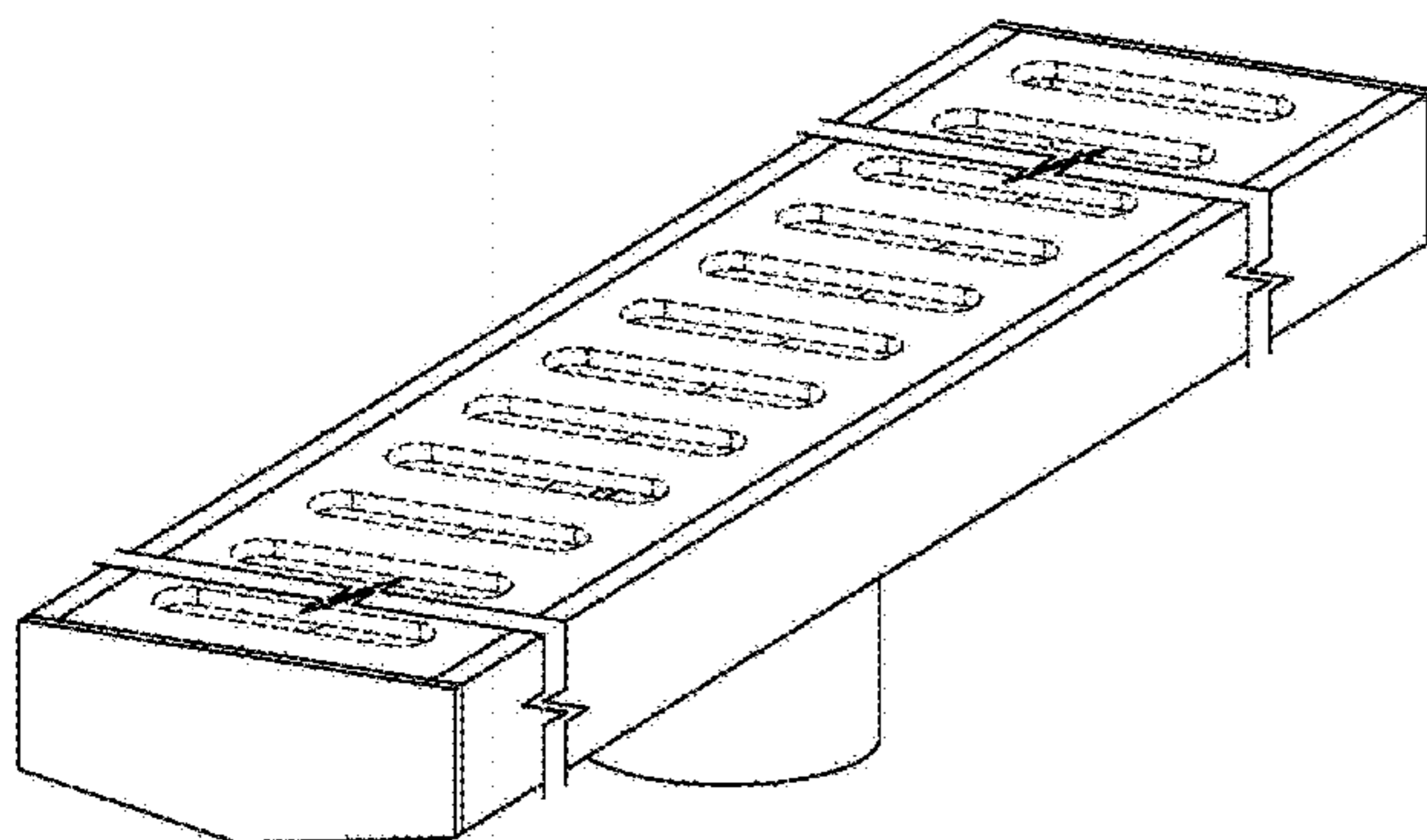
I claim the ornamental design for the floor grate insert assembly, as shown and described.

DESCRIPTION

FIG. 1 is a perspective view from above;
FIG. 2 is a perspective view from below;
FIG. 3 is a top view;
FIG. 4 is an end view;
FIG. 5 is a bottom view;
FIG. 6 is a side view; and,
FIG. 7 is a perspective view exploded, thereof.

The floor grate insert assembly is shown with symbolic breaks in its length in FIGS. 1-3 and 5-7. The appearance of any portion of the article between the break lines forms no part of the claim.

1 Claim, 4 Drawing Sheets



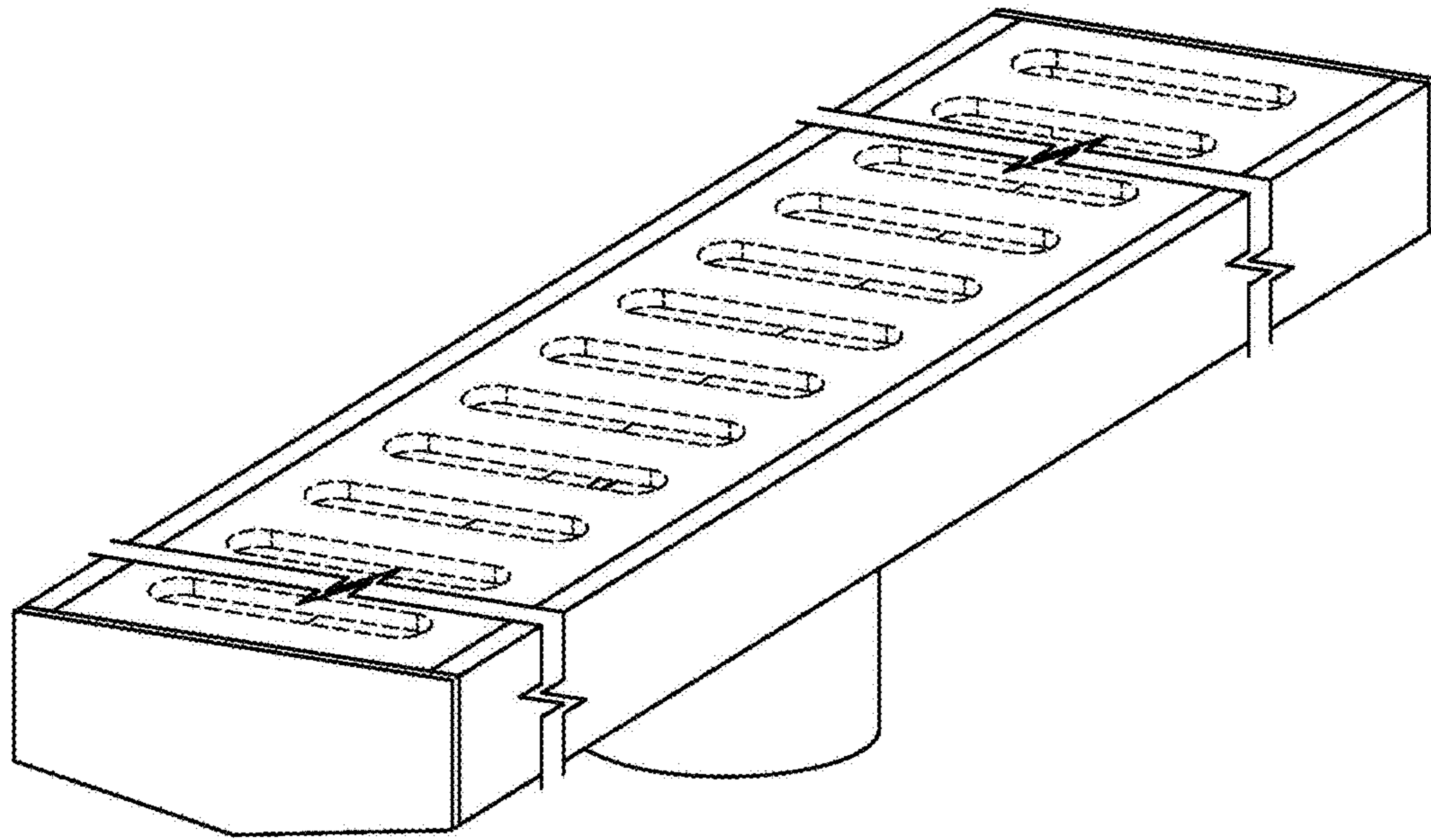


Fig. 1

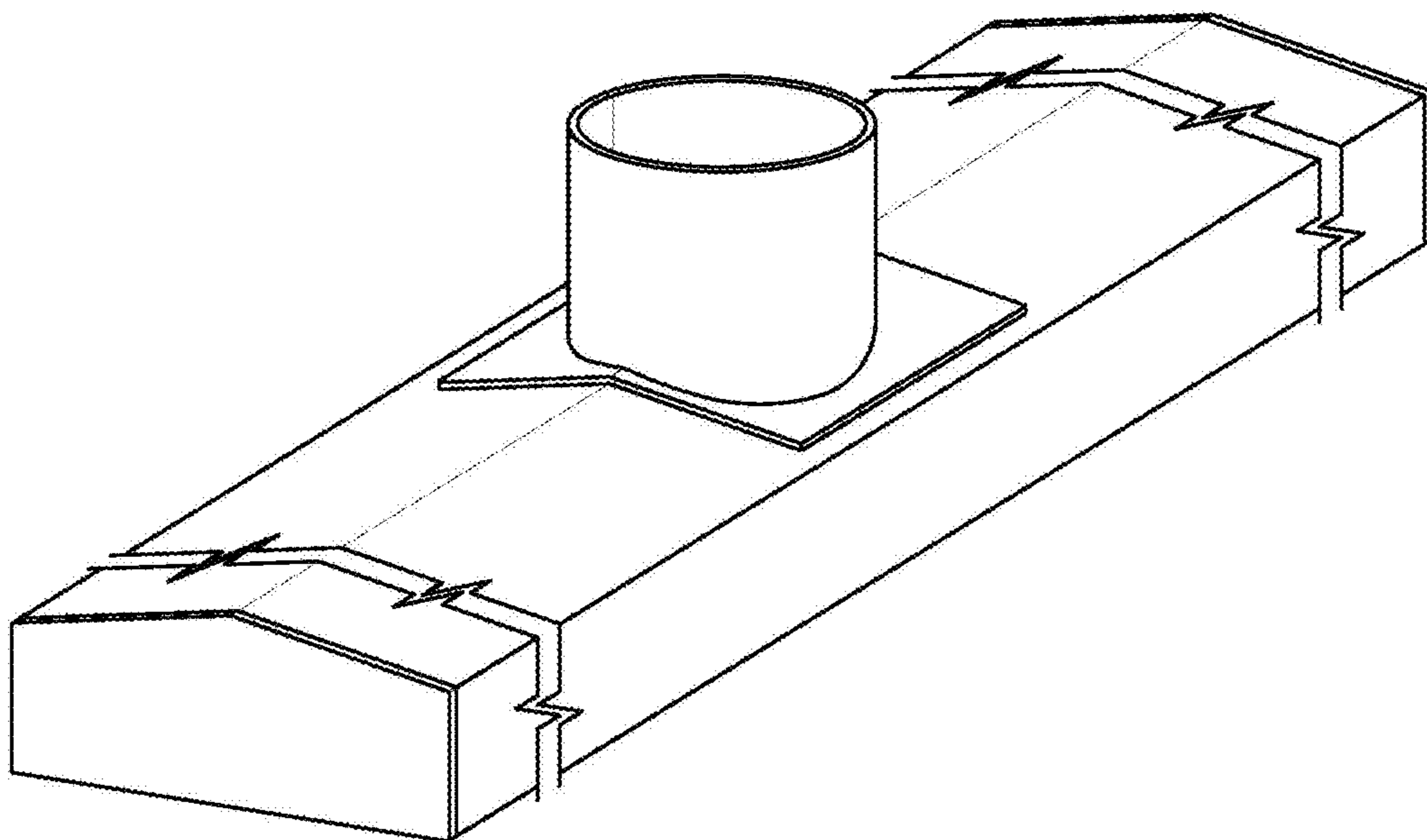


Fig. 2

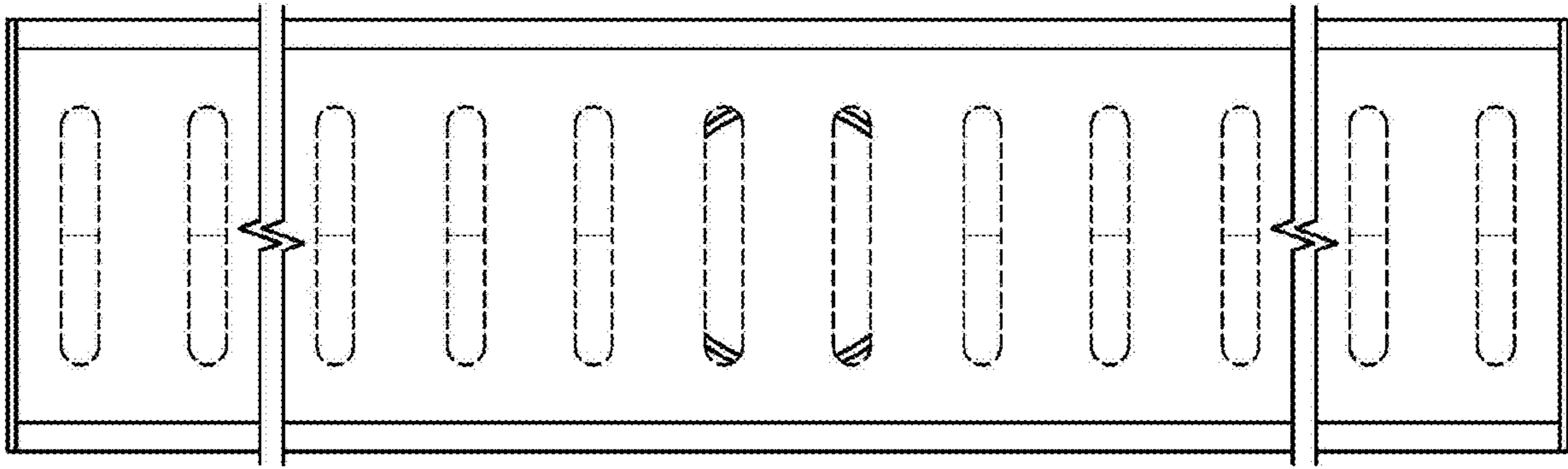


Fig. 3

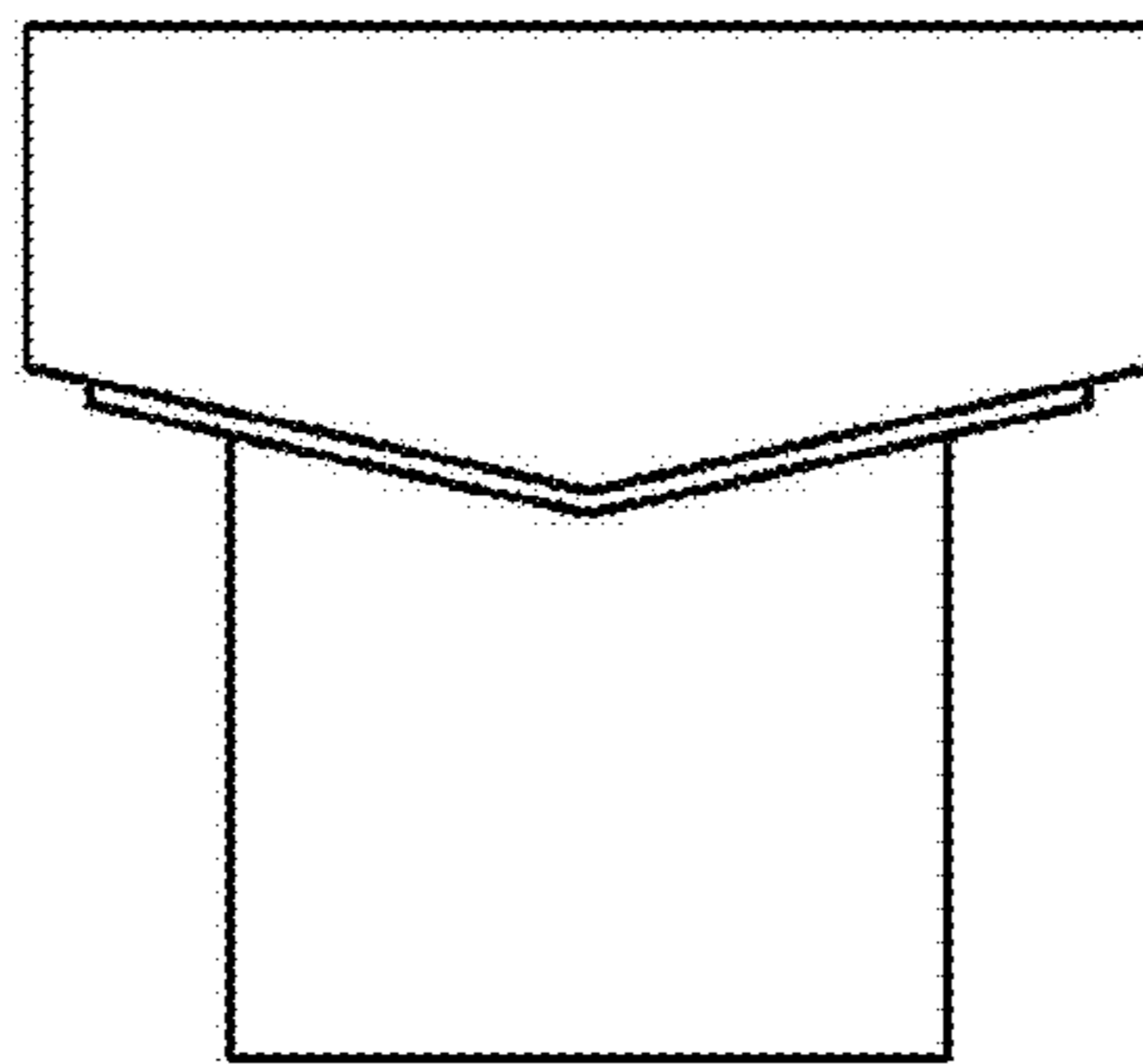


Fig. 4

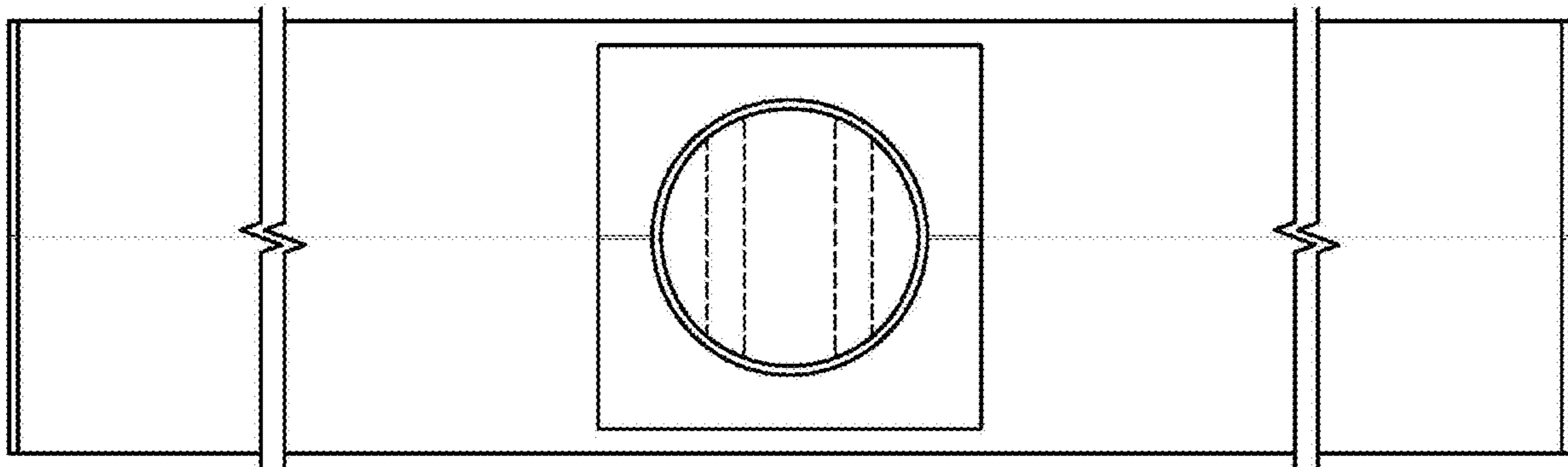


Fig. 5

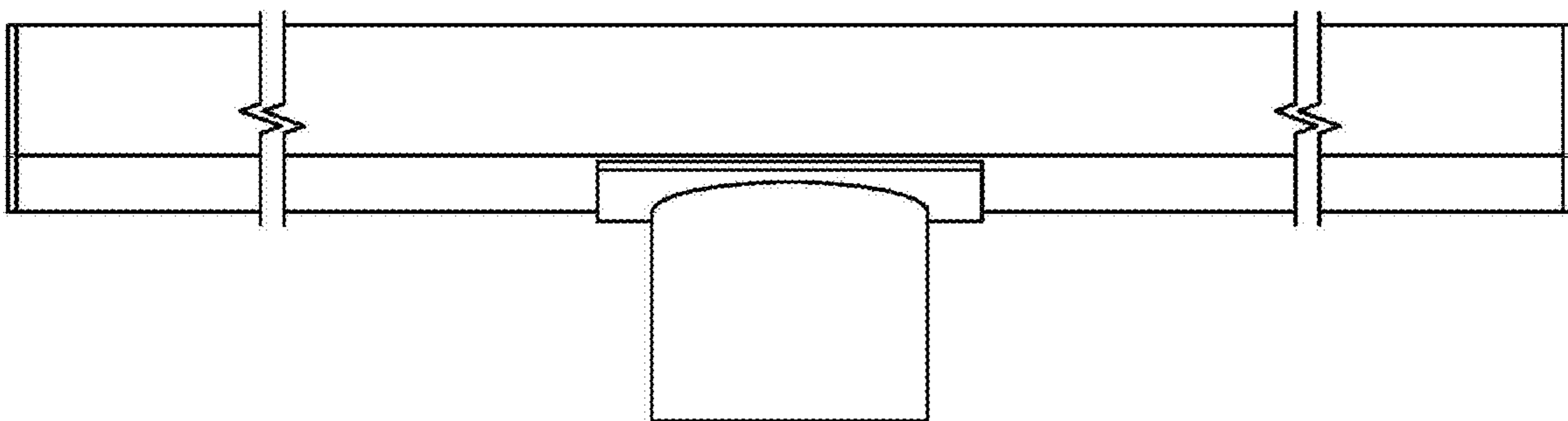


Fig. 6

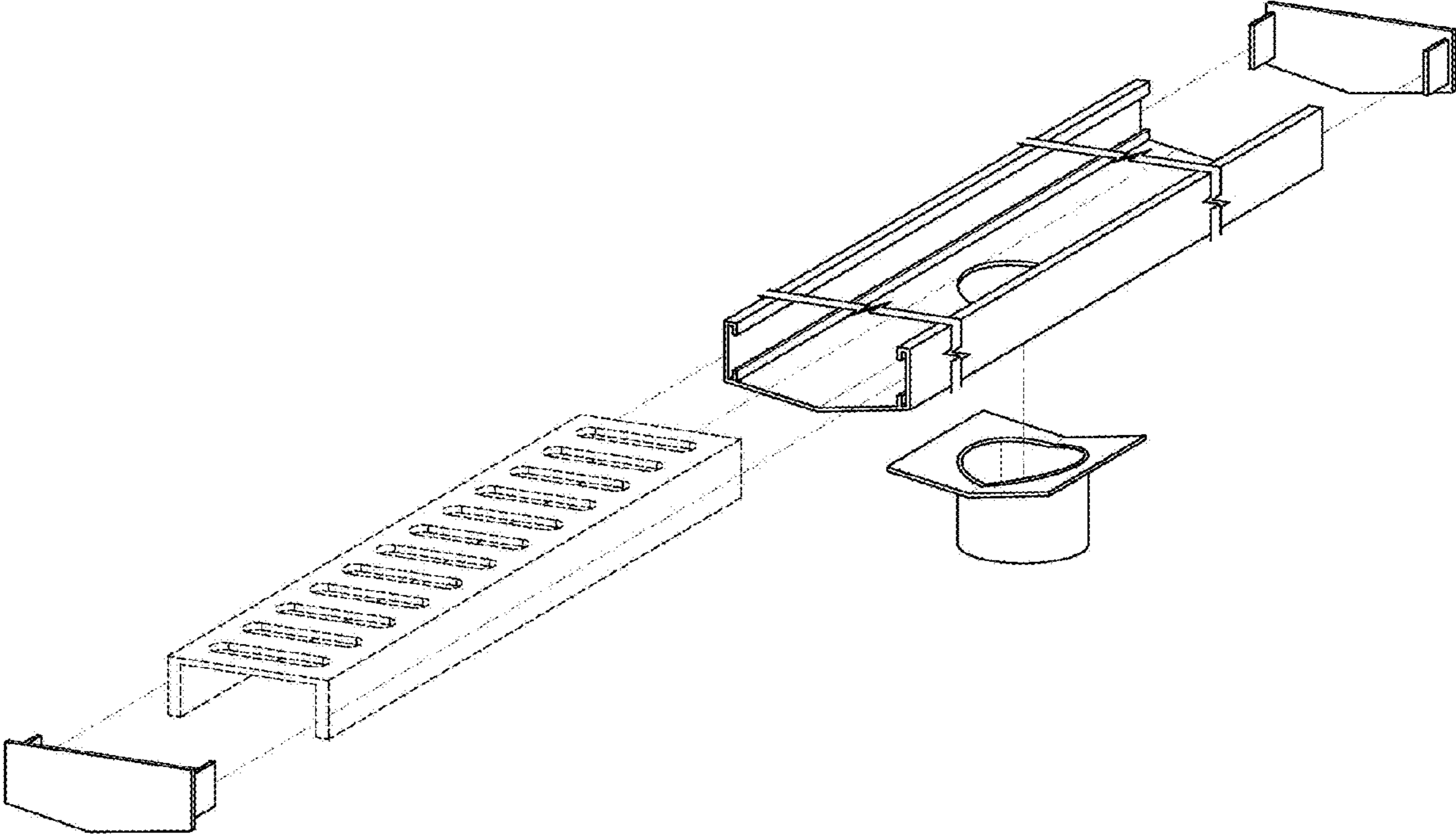


Fig. 7