



US00D923755S

(12) **United States Design Patent** (10) **Patent No.:** **US D923,755 S**
Zhang (45) **Date of Patent:** **** Jun. 29, 2021**

(54) **BATHTUB SPOUT**

(71) Applicant: **Xinrui Zhang**, Kaiping (CN)

(72) Inventor: **Xinrui Zhang**, Kaiping (CN)

(**) Term: **15 Years**

(21) Appl. No.: **29/720,163**

(22) Filed: **Jan. 10, 2020**

(51) **LOC (13) Cl.** **23-01**

(52) **U.S. Cl.**
USPC **D23/257**

(58) **Field of Classification Search**
USPC D23/257, 249, 254, 259, 255, 233, 234,
D23/235, 236, 237, 238, 239, 240, 241,
D23/242, 243, 244, 245, 246, 247, 248,
D23/250, 251, 252, 253, 256
CPC E03C 1/01; E03C 1/0409; E03C 1/025;
E03C 1/0408; Y10T 137/5339; Y10T
137/6014; Y10T 137/6021

See application file for complete search history.

(56) **References Cited**

U.S. PATENT DOCUMENTS

D218,034 S *	7/1970	Mongerson	D23/257
D296,235 S *	6/1988	Schmitz	D23/257
D317,350 S *	6/1991	Freed	D23/257
D508,978 S *	8/2005	Otero	D23/255
D528,640 S *	9/2006	Yoshioka	D23/255
D551,326 S *	9/2007	Zhu	D23/255
D580,520 S *	11/2008	Ko	D23/241
D619,223 S *	7/2010	Sofield	D23/255
D645,939 S *	9/2011	Huang	D23/238
D678,986 S *	3/2013	Lord	D23/255
D754,302 S *	4/2016	Choi	D23/257
D791,286 S *	7/2017	Downey	D23/257

FOREIGN PATENT DOCUMENTS

CA 63362 * 5/1989

OTHER PUBLICATIONS

Amazon, Lasco Bathtub Diverter Spout, posted May 19, 2014, [online], [visited Apr. 21, 2021]. Internet, <URL: https://www.amazon.co.uk/dp/B00HYWE3E6/ref> (Year: 2014).*

Amazon, American Standard Tub Spout, posted Jan. 4, 2012, [online], [visited Apr. 21, 2021]. Internet, <URL: https://www.amazon.com/American-Standard-8888-089-224-Square-Rubbed/dp/B006TICVWM> (Year: 2012).*

Amazon, Moen S3900 Tub Diverter, posted Oct. 31, 2016, [online], [visited Apr. 22, 2021]. Internet, <URL: https://www.amazon.com/DIVERTER-SPOUT-Chrome-diverter-spouts/dp/B01M2BY8ZG/ref> (Year: 2016).*

Amazon, Moen S3896BN Tub Diverter, posted Feb. 2, 2011, [online], [visited Apr. 22, 2021]. Internet, <URL: https://www.amazon.com/Moen-S3896BN-90-Degree-Diverter-Brushed/dp/B004TNJRRQ> (Year: 2011).*

* cited by examiner

Primary Examiner — Sheryl Lane

Assistant Examiner — Samantha N Wood

(74) *Attorney, Agent, or Firm* — Rumit Ranjit Kanakia

(57) **CLAIM**

I claim the ornamental design for a bathtub spout, as shown and described.

DESCRIPTION

FIG. 1 is a Perspective view of a bathtub spout showing my new design;

FIG. 2 is another Perspective view thereof;

FIG. 3 is a Front view thereof;

FIG. 4 is a Back view thereof;

FIG. 5 is a Left-side view thereof;

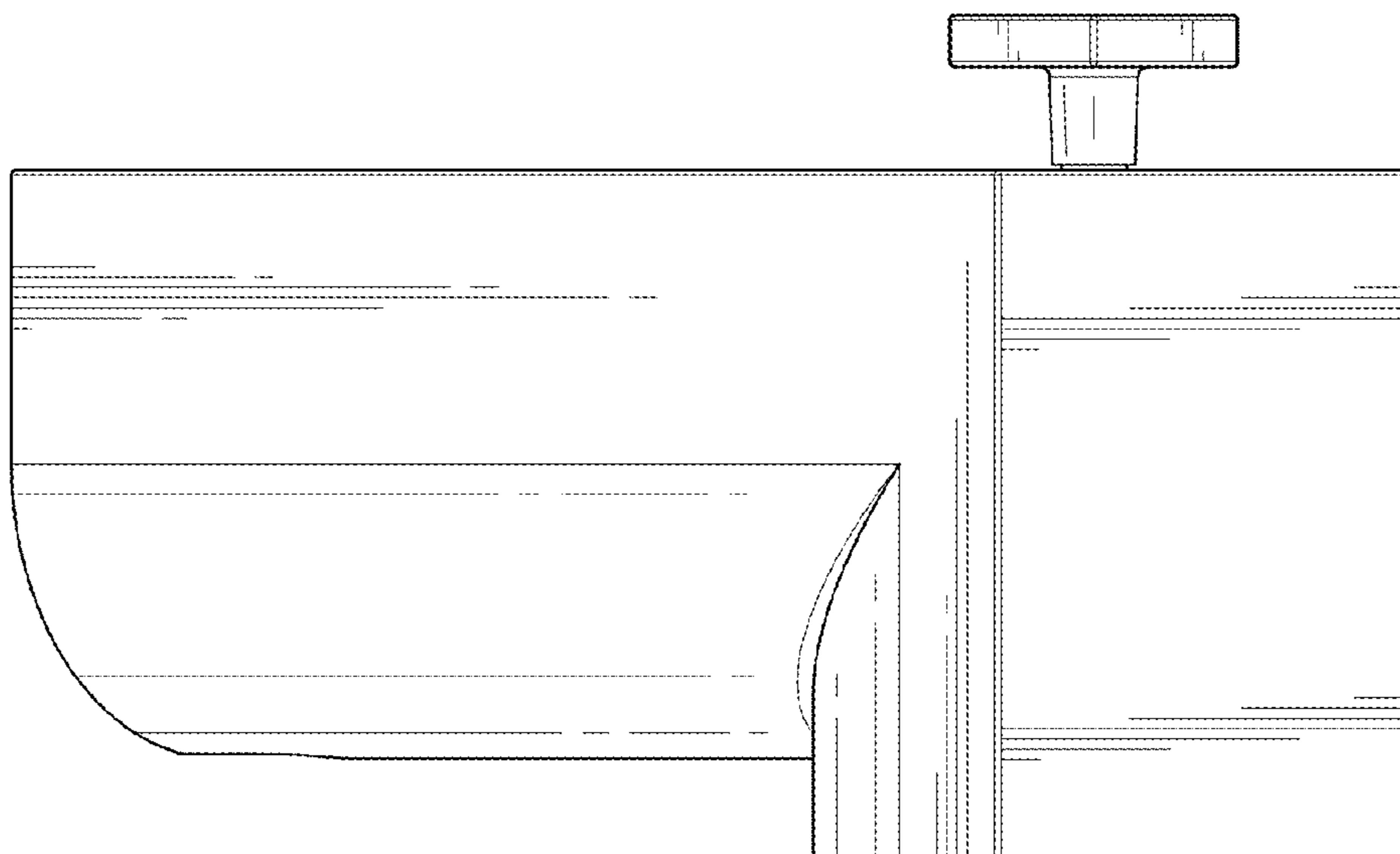
FIG. 6 is a Right-side view thereof;

FIG. 7 is a Top view thereof; and,

FIG. 8 is a Bottom view thereof.

The broken lines are only for environmental purposes and form no part of the claimed design.

1 Claim, 8 Drawing Sheets



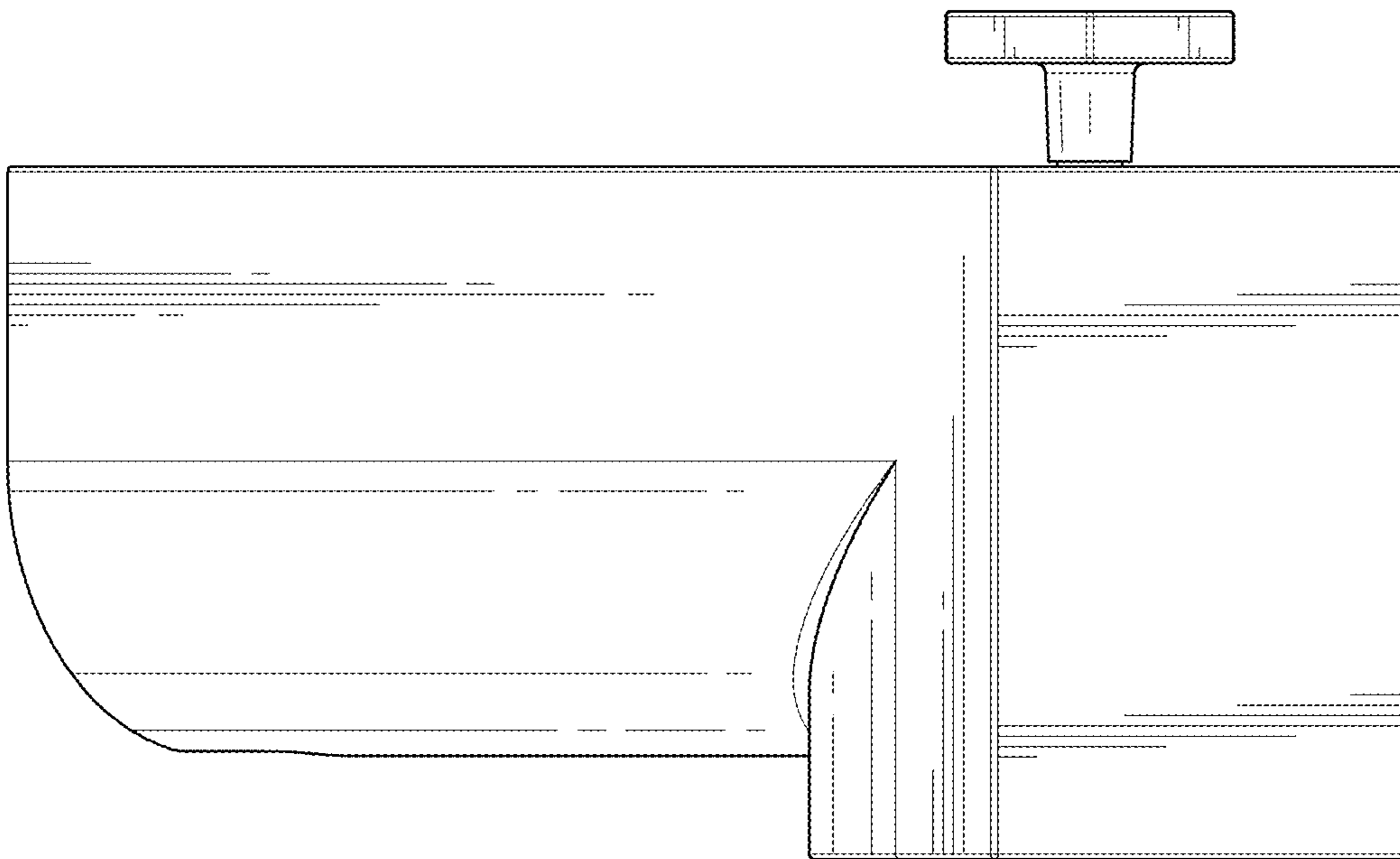


FIG. 1

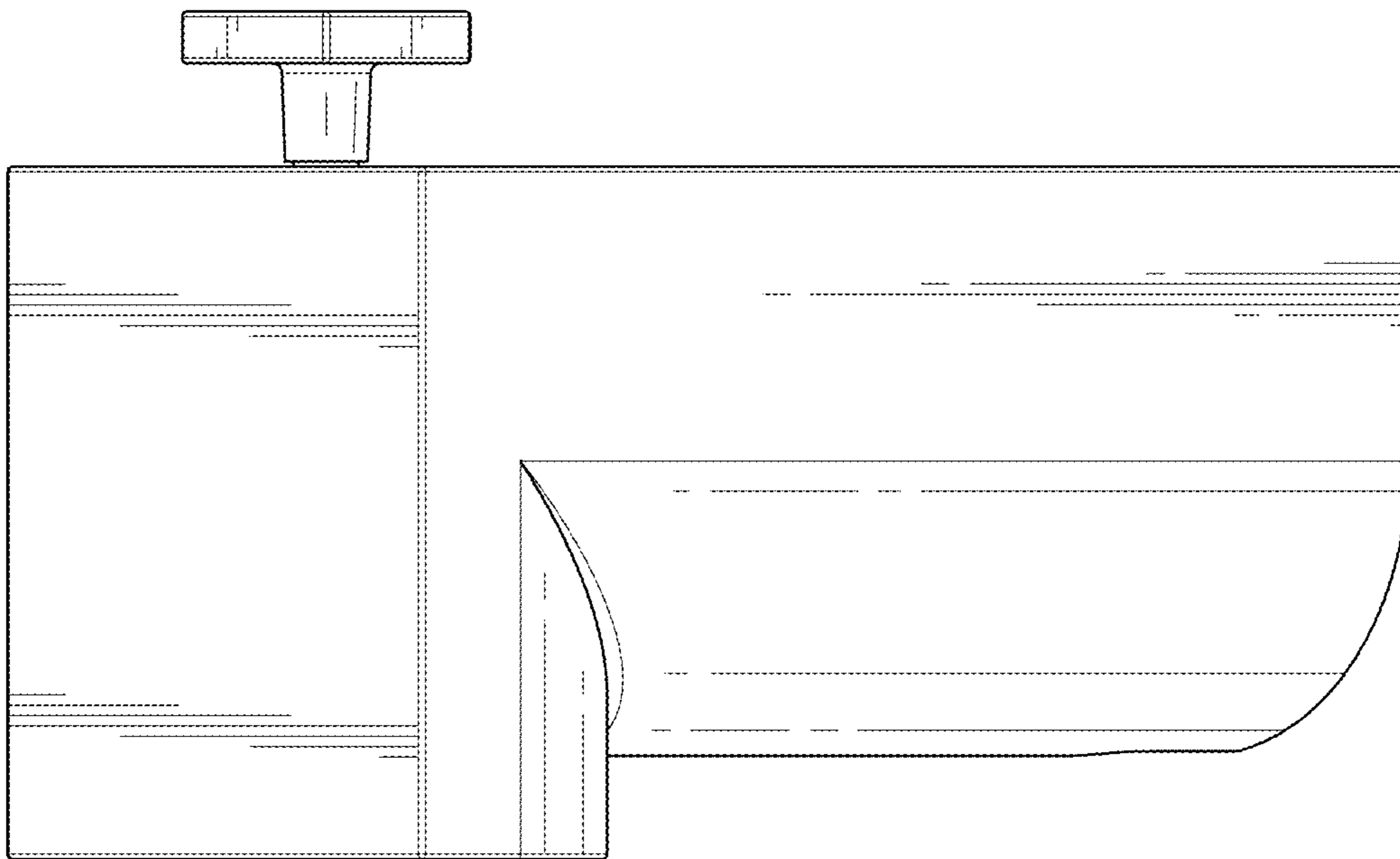


FIG. 2

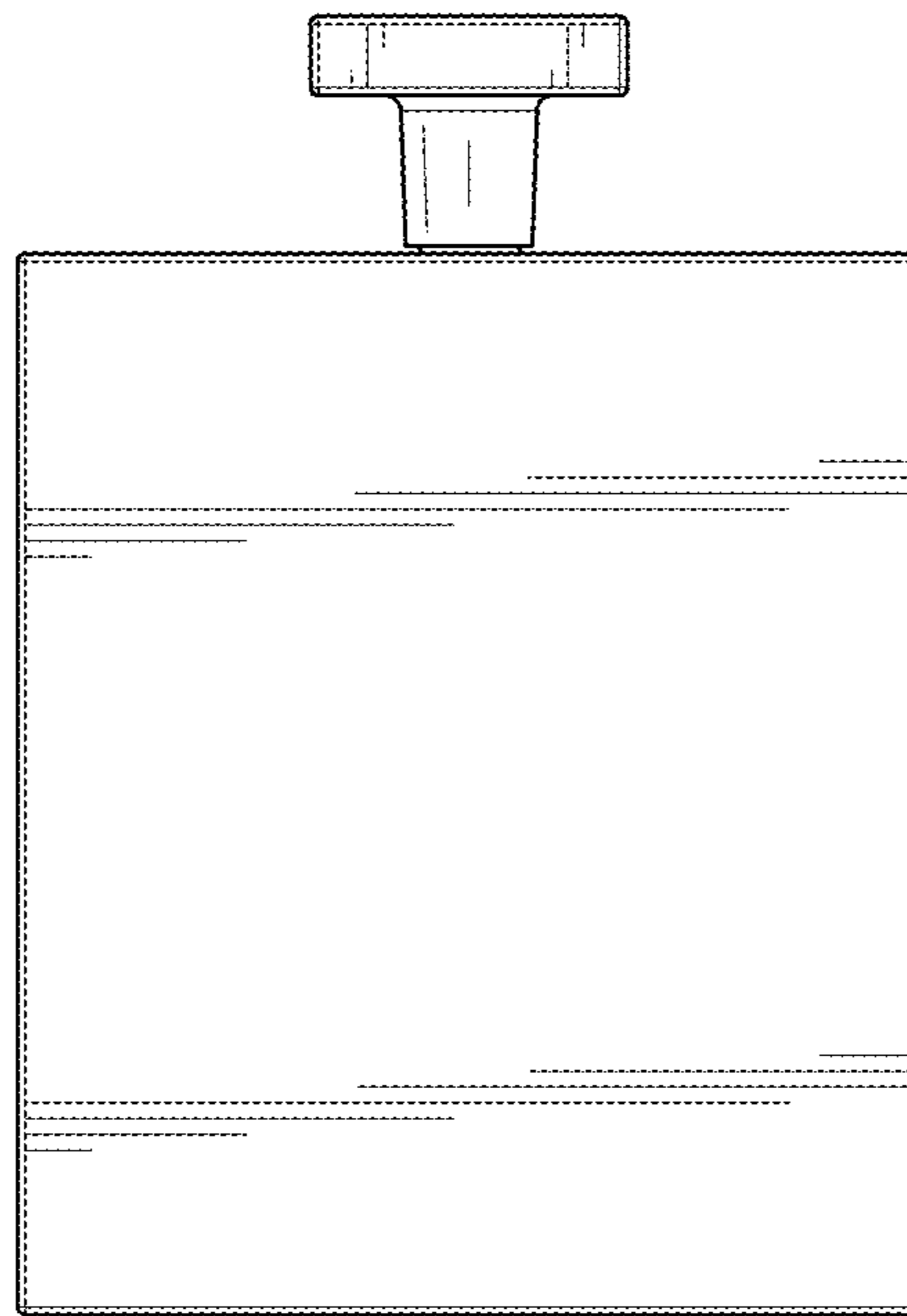


FIG. 3

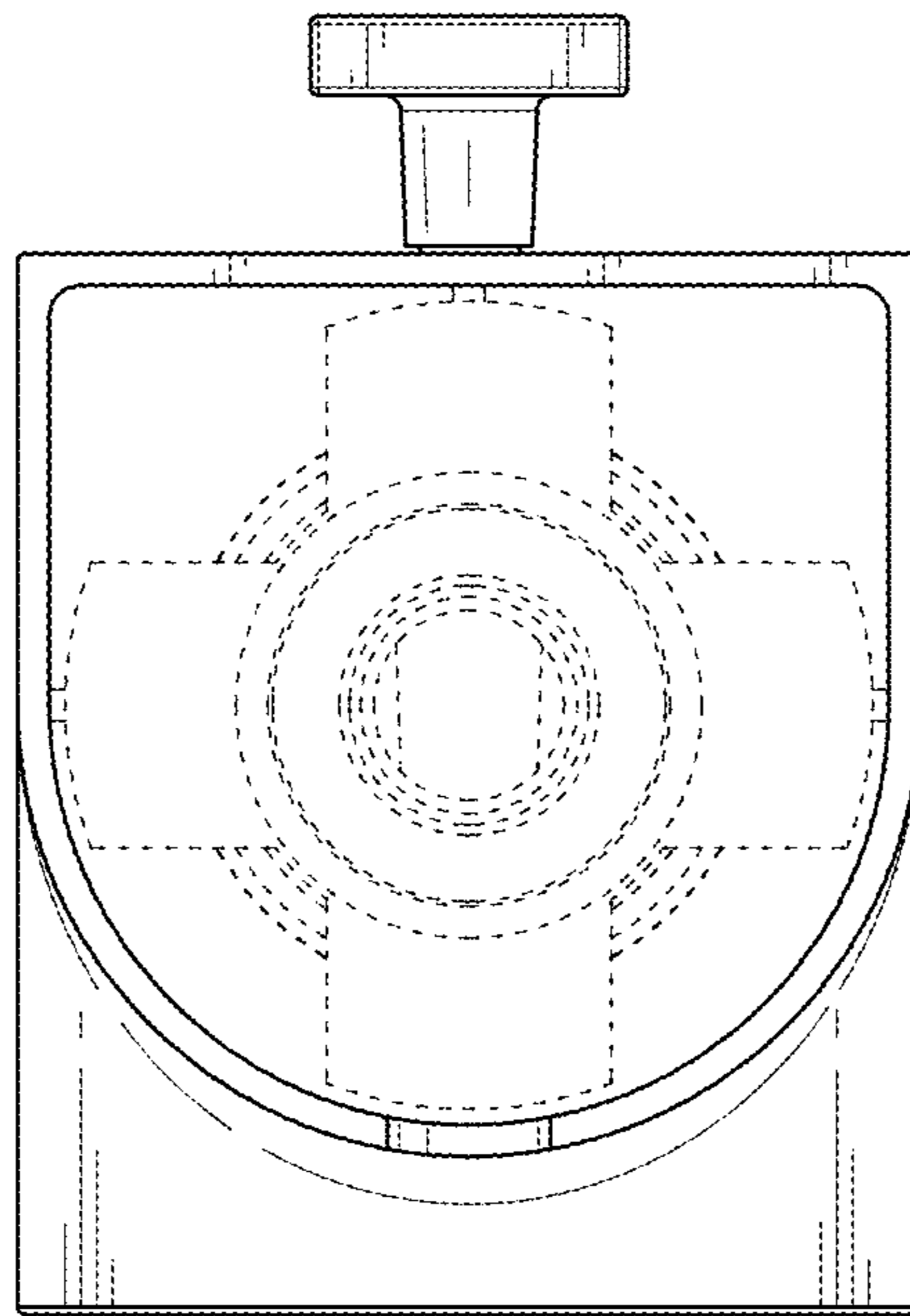


FIG. 4

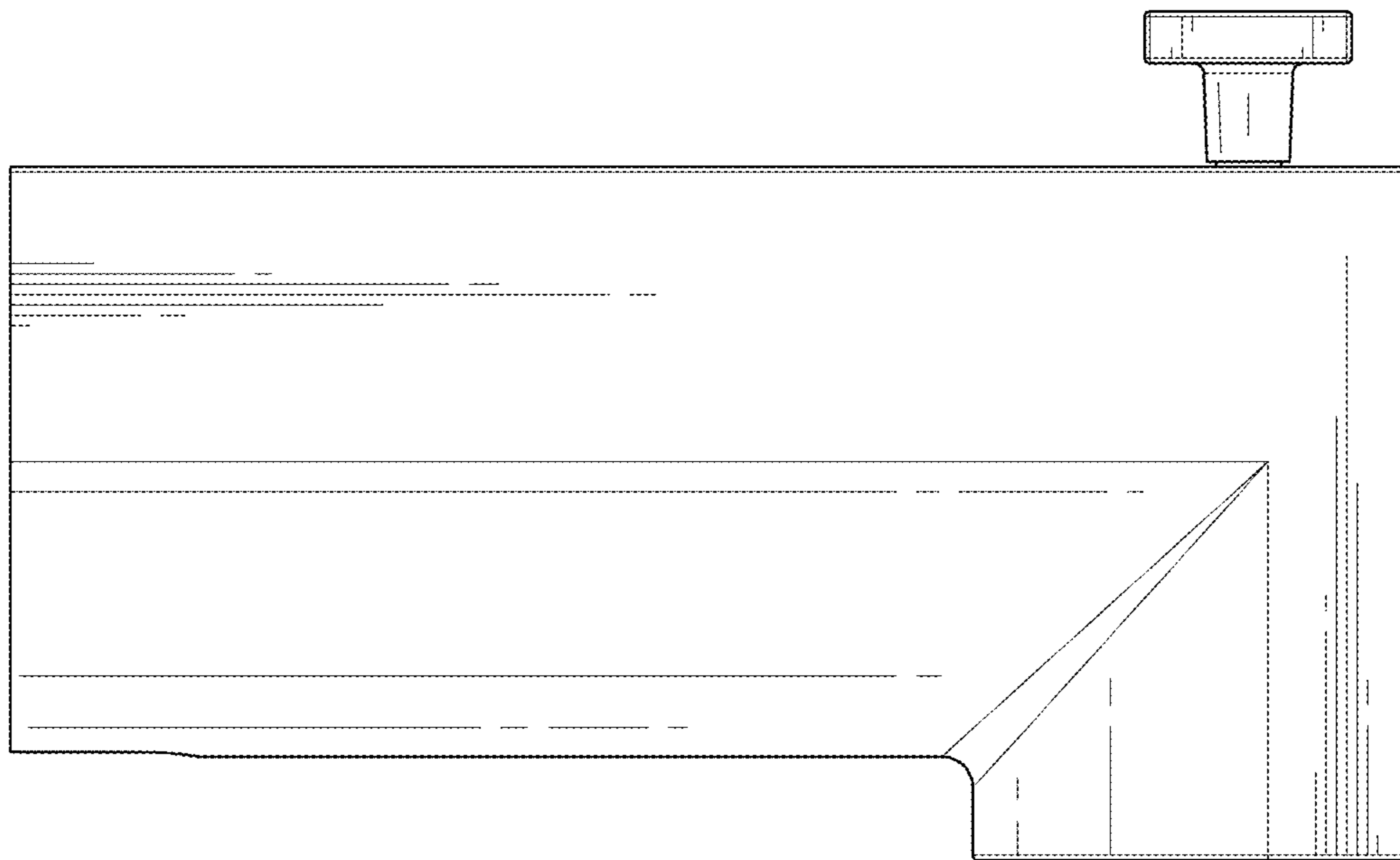


FIG. 5

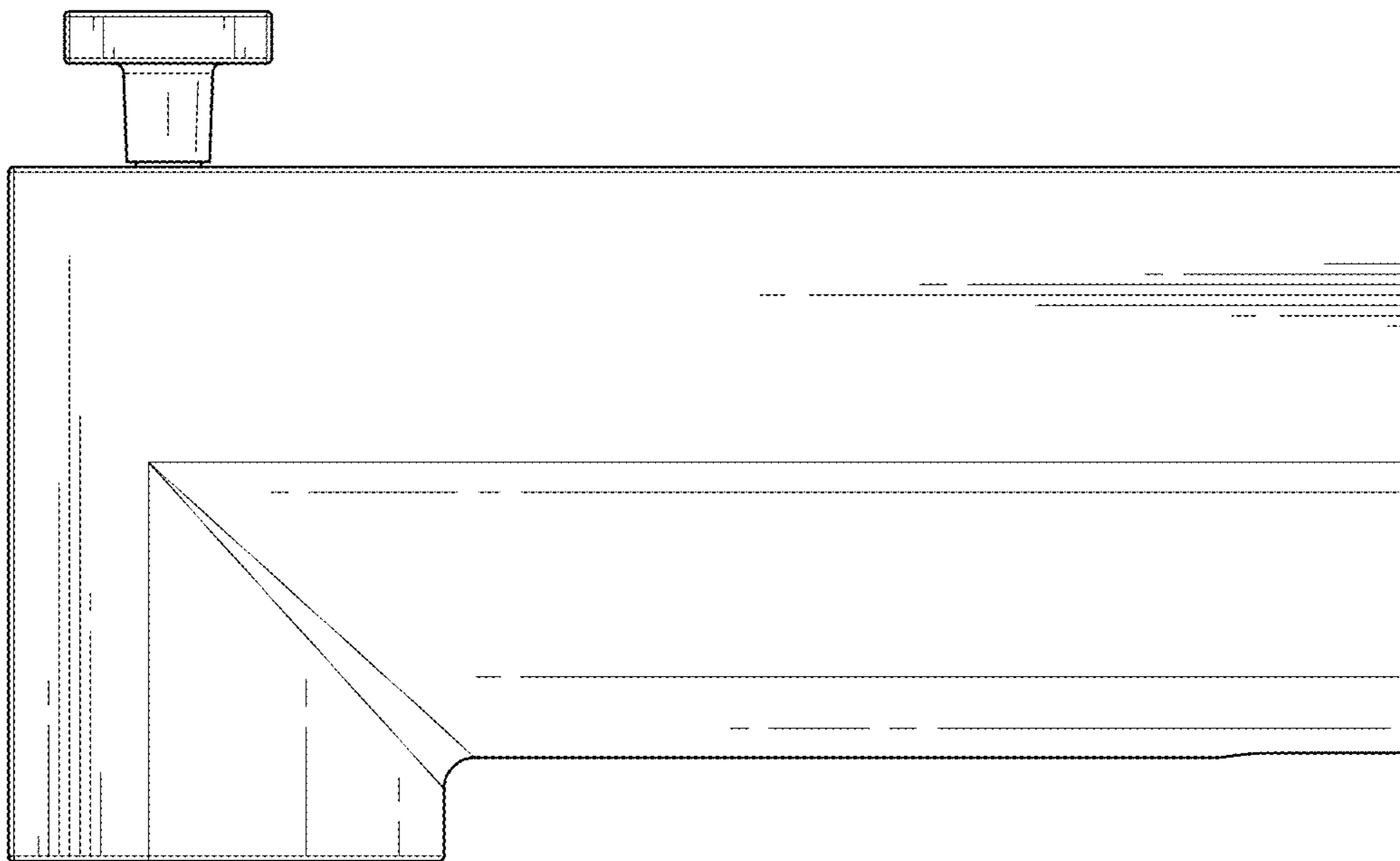


FIG. 6

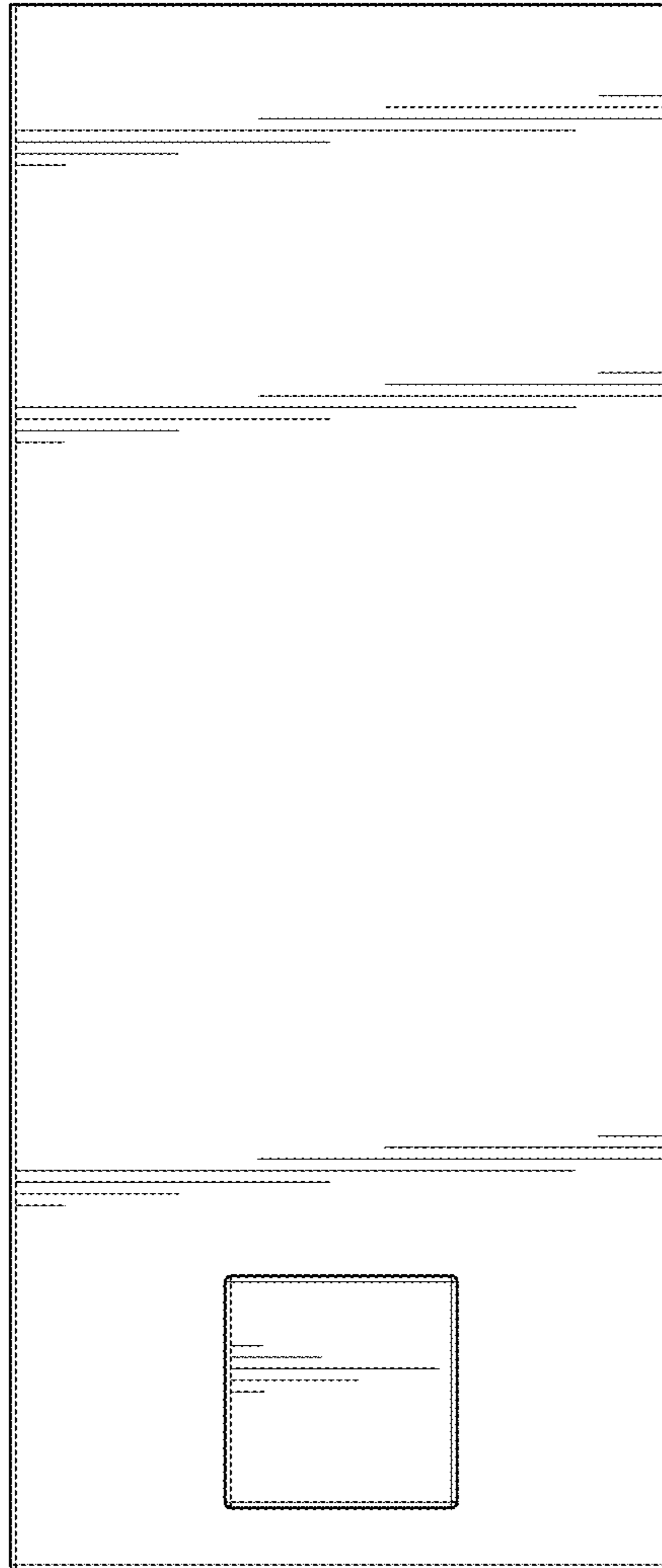


FIG. 7

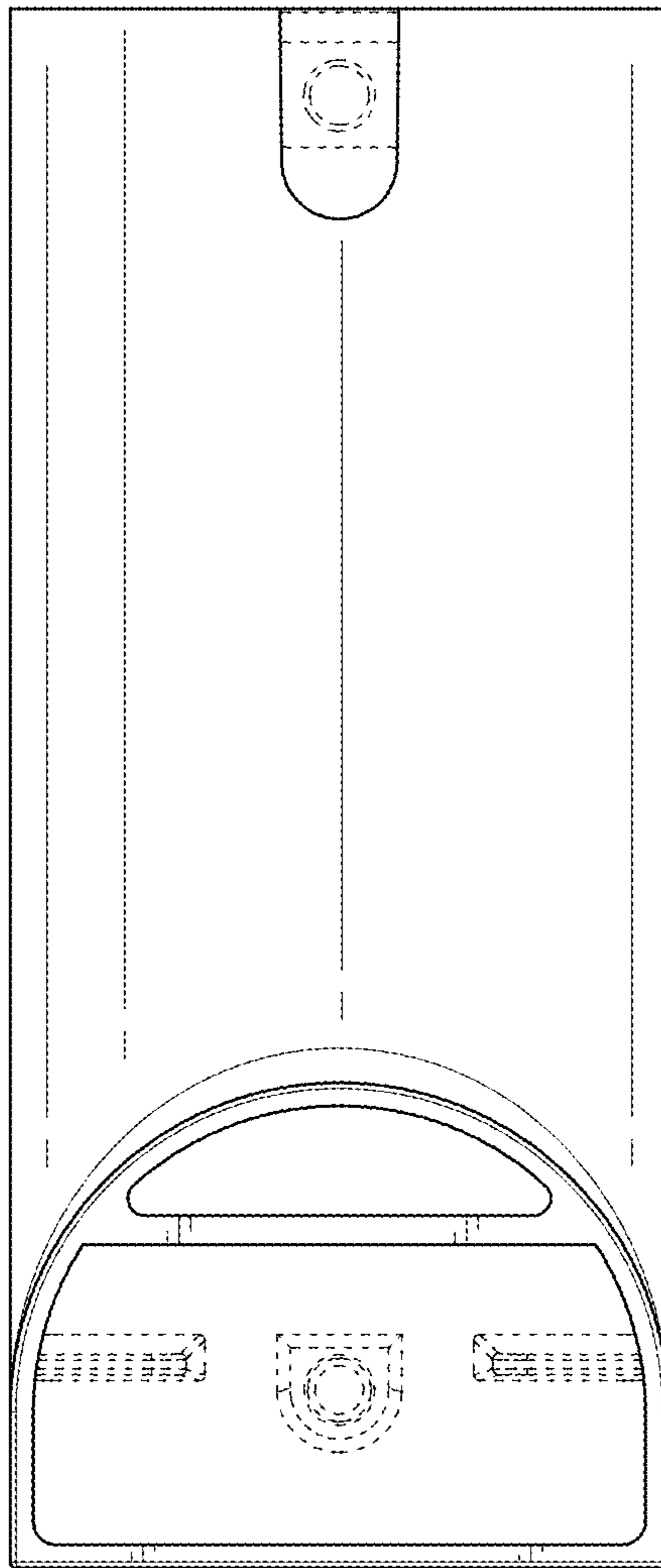


FIG. 8