



US00D923752S

(12) **United States Design Patent** (10) **Patent No.:** **US D923,752 S**
Hui (45) **Date of Patent:** **** Jun. 29, 2021**

(54) **FAUCET PANEL**

FOREIGN PATENT DOCUMENTS

(71) Applicant: **Chen Hui**, Ruian (CN)

CA 103542 * 6/2003
CA 107178 * 5/2004

(72) Inventor: **Chen Hui**, Ruian (CN)

OTHER PUBLICATIONS

(**) Term: **15 Years**

(21) Appl. No.: **29/721,581**

Moen 6610 Brantford Two-Handle Low-Arc Centerset Bathroom Faucet with Drain Assembly, announced Nov. 27, 2007[online], [site visited Feb. 22, 2021]. Available from internet, URL:<https://www.amazon.com/Moen-6610-Brantford-Two-Handle-Centerset/dp/B000YLMGIY> (Year: 2007).*

(22) Filed: **Jan. 22, 2020**

(51) **LOC (13) Cl.** **23-01**

Delta Faucet Linden Centerset Bathroom Faucet Chrome, Bathroom Sink Faucet, announced Oct. 31, 2012[online], [site visited Feb. 22, 2021]. Available from internet, URL:<https://www.amazon.com/2-Handle-Centerset-Bathroom-Technology-2594-MPU-DST/dp/B00A39FVRA> (Year: 2012).*

(52) **U.S. Cl.**

USPC **D23/242**

(58) **Field of Classification Search**

USPC D23/238-244, 252, 254-255, 257;
D8/307-308

CPC F16K 31/602; F16K 31/605; F16K 31/607;
E03C 1/0412

See application file for complete search history.

* cited by examiner

Primary Examiner — Barbara Fox

Assistant Examiner — Jamaal Rasheed

(74) *Attorney, Agent, or Firm* — Rमित Ranjit Kanakia

(56) **References Cited**

(57) **CLAIM**

U.S. PATENT DOCUMENTS

I claim the ornamental design for a faucet panel, as shown and described.

D207,044 S *	2/1967	Hurwitz	D23/241
D433,485 S *	11/2000	Lord	D23/241
D438,291 S *	2/2001	Lord	D23/241
D438,292 S *	2/2001	Lord	D23/241
D463,007 S *	9/2002	Lord	D23/238
D463,008 S *	9/2002	Lord	D23/238
D463,009 S *	9/2002	Lord	D23/238
D465,008 S *	10/2002	Lord	D23/238
D465,266 S *	11/2002	Singtoroj	D23/238
D465,828 S *	11/2002	Yegyayan	D23/238
D465,829 S *	11/2002	Singtoroj	D23/238
D465,831 S *	11/2002	Otero	D23/238
D510,129 S *	9/2005	Ouyoung	D23/249
D512,489 S *	12/2005	Gilbert	D23/249
D522,620 S *	6/2006	Fritz	D23/249
D523,113 S *	6/2006	Koury	D23/249
D643,514 S *	8/2011	Bauer	D23/249

DESCRIPTION

FIG. 1 is a perspective view of a faucet panel showing my new design;

FIG. 2 is a Front view thereof;

FIG. 3 is a Back view thereof;

FIG. 4 is a Right-side view thereof;

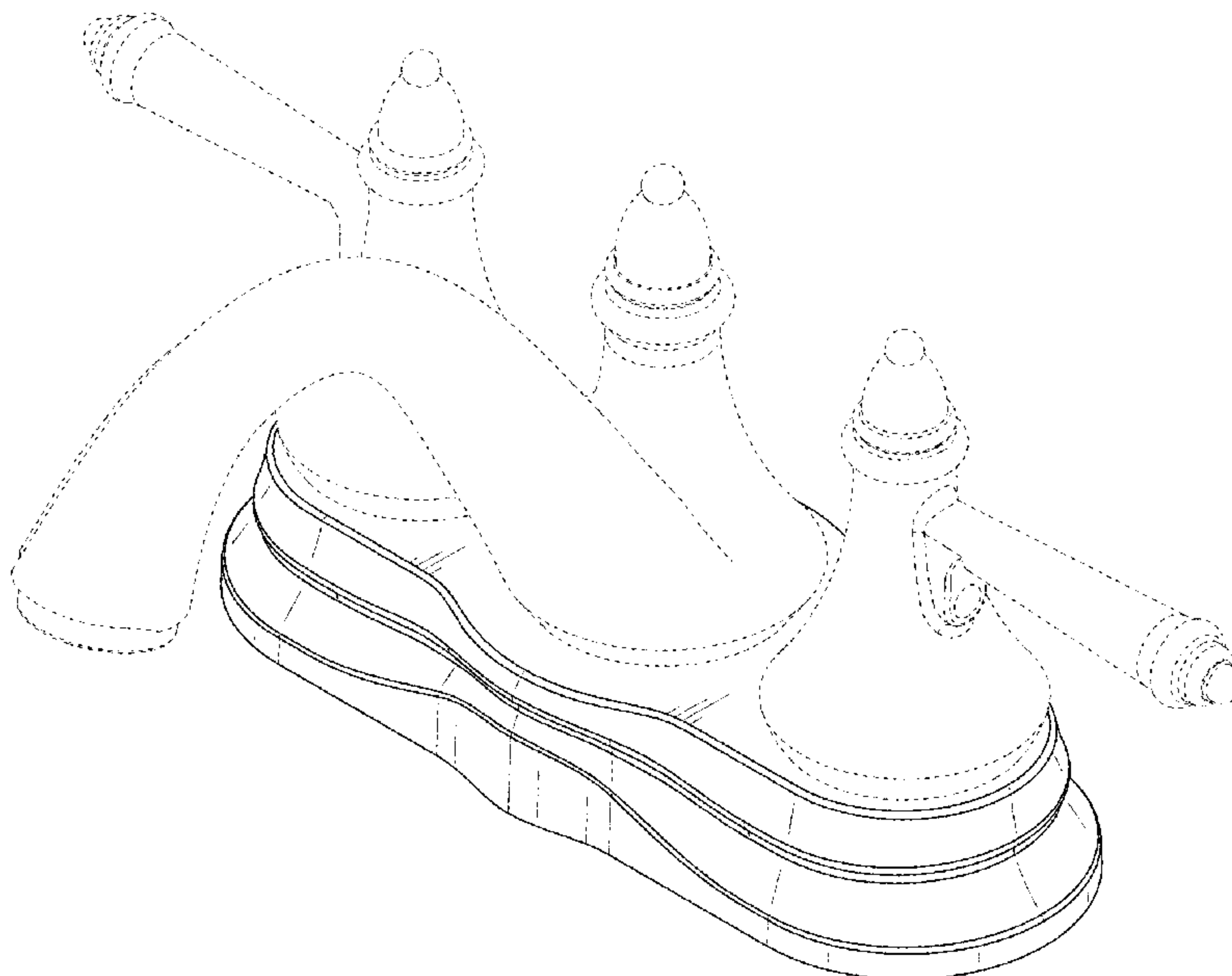
FIG. 5 is a Left-side view thereof;

FIG. 6 is a Top view thereof; and,

FIG. 7 is a Bottom view thereof.

The broken lines are only for environmental purposes and form no part of the claimed design.

1 Claim, 7 Drawing Sheets



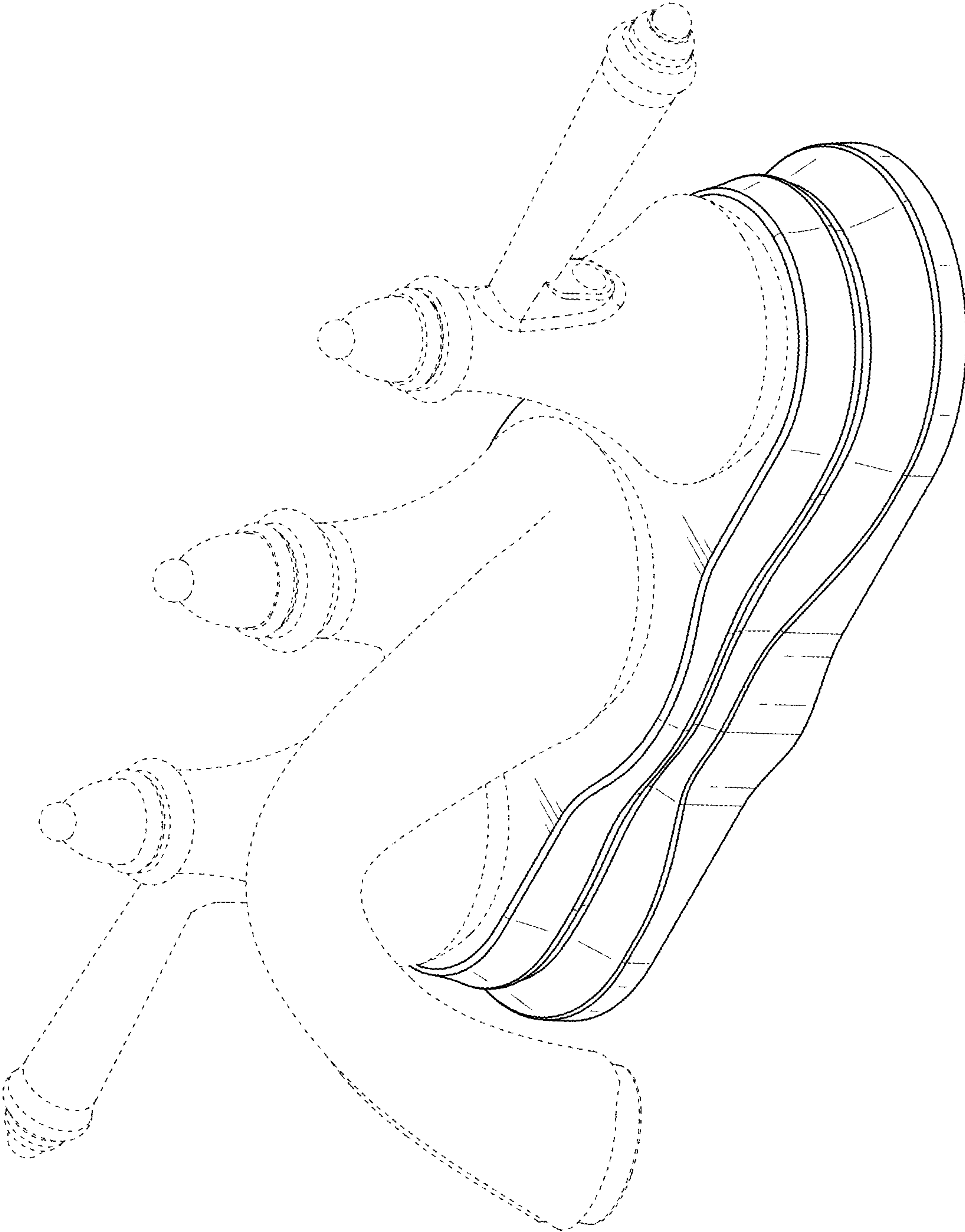


FIG. 1

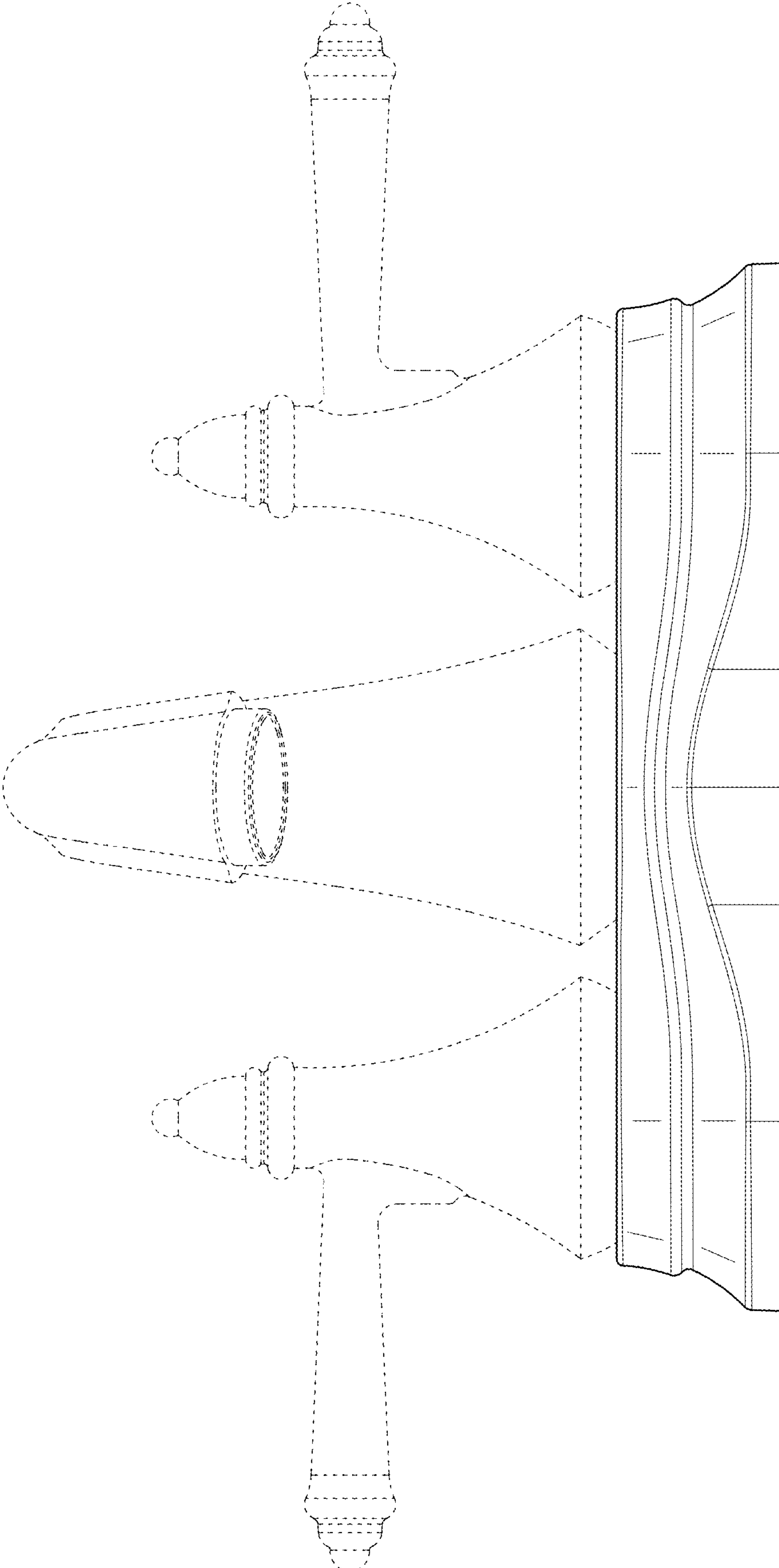


FIG. 2

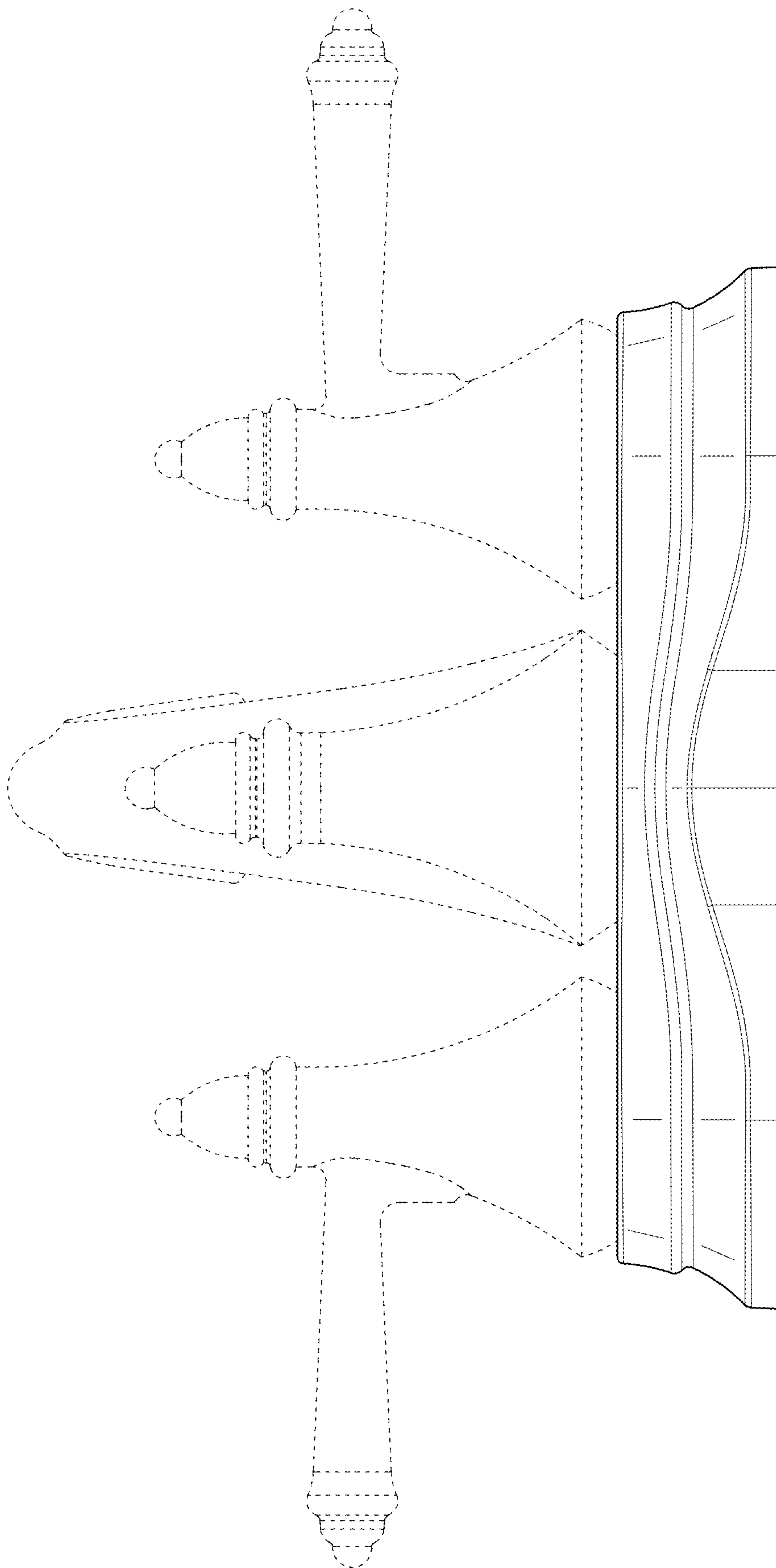


FIG. 3

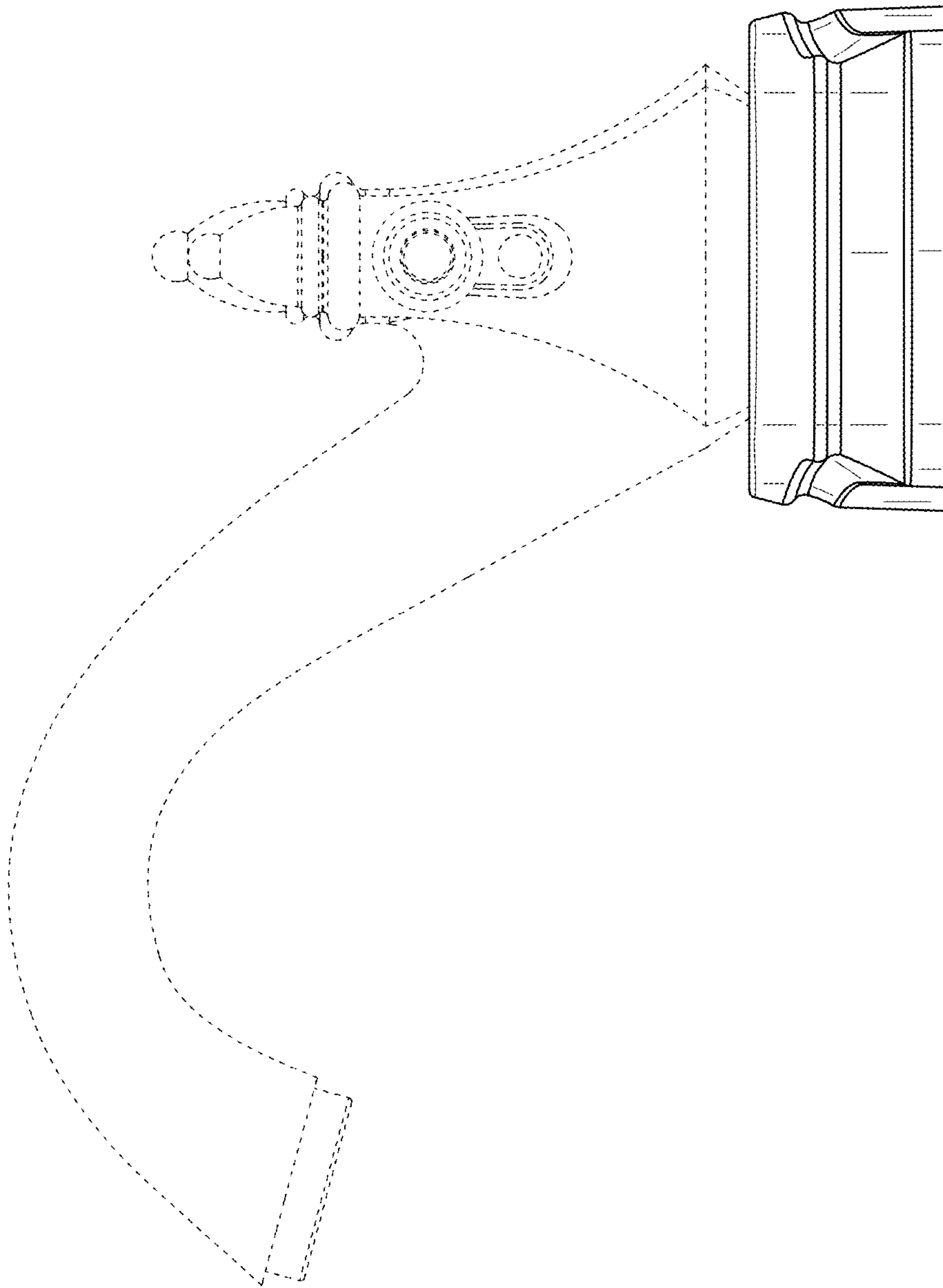


FIG. 4

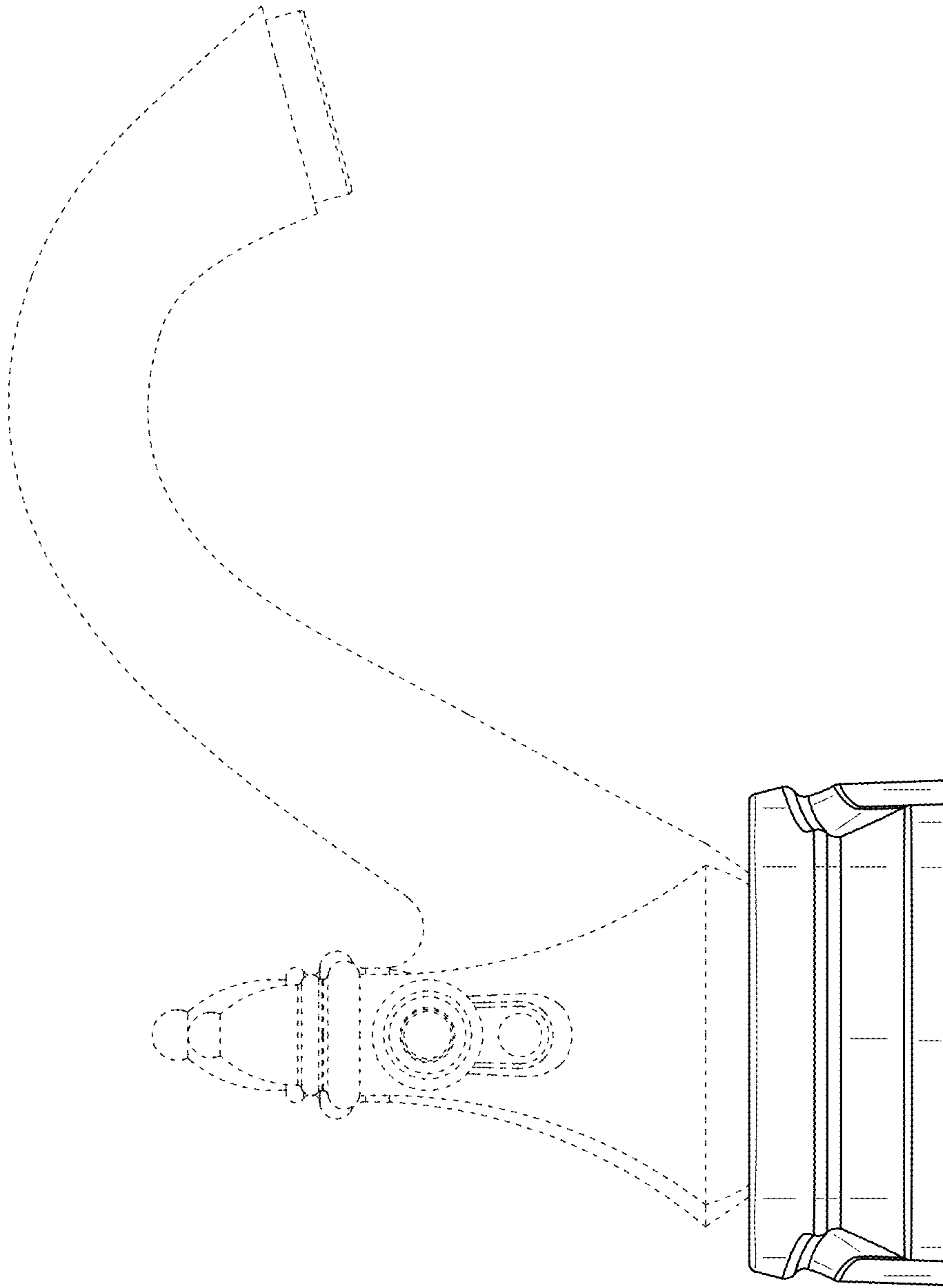


FIG. 5

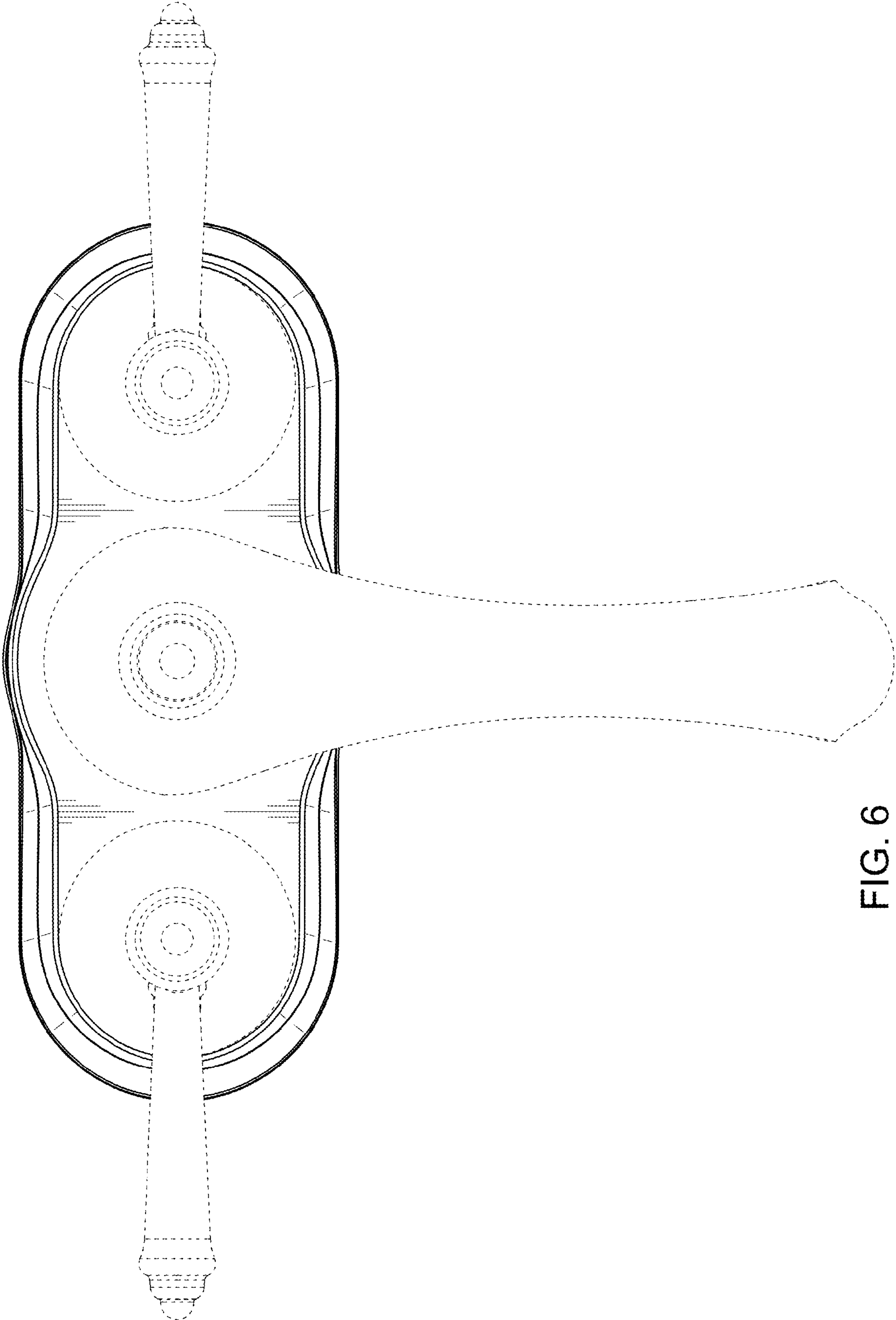


FIG. 6

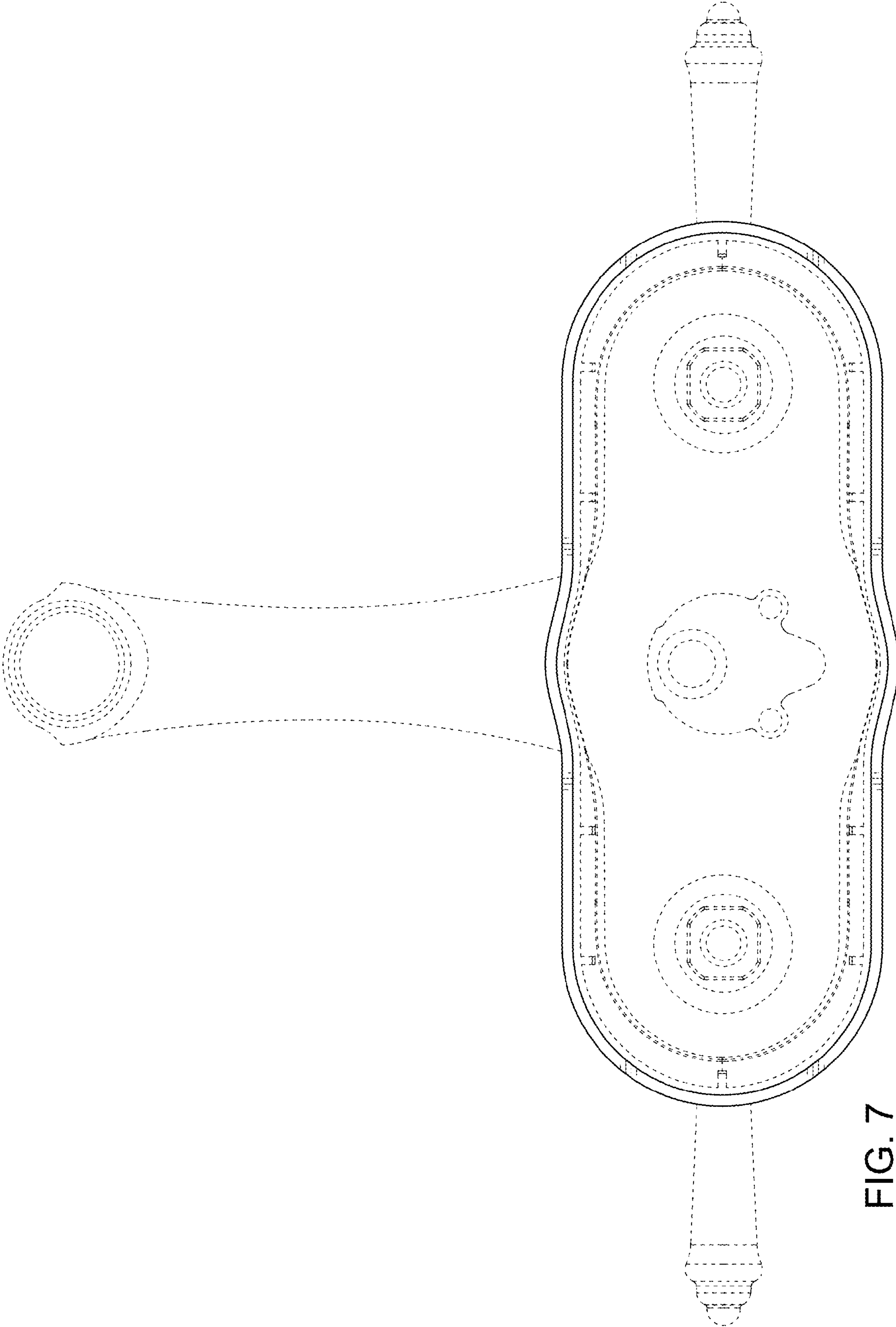


FIG. 7