



US00D923751S

(12) **United States Design Patent** (10) **Patent No.:** **US D923,751 S**
Soulier et al. (45) **Date of Patent:** **** Jun. 29, 2021**

(54) **FAUCET**
(71) Applicant: **Kohler Co.**, Kohler, WI (US)
(72) Inventors: **Jean-Hugues Soulier**, Paris (FR);
Ferran Serra Sola, Paris (FR)
(73) Assignee: **KOHLER CO.**, Kohler, WI (US)
(**) Term: **15 Years**
(21) Appl. No.: **29/638,373**
(22) Filed: **Feb. 27, 2018**
(51) **LOC (13) Cl.** **23-01**
(52) **U.S. Cl.**
USPC **D23/238**
(58) **Field of Classification Search**
USPC D23/238-241, 250, 252-254;
D8/307-308
CPC Y10T 137/9464; Y10T 137/6014; Y10T
137/6017
See application file for complete search history.

D813,990 S * 3/2018 Schoenherr D23/242
D827,780 S * 9/2018 Soulier D23/238
D835,759 S * 12/2018 Schoenherr D23/252
D838,346 S * 1/2019 Soulier D23/238
D839,997 S * 2/2019 Cummings D23/255
D846,702 S * 4/2019 Liu D23/238

OTHER PUBLICATIONS

Hansgrohe 04703 Talis Loop Single Handle Pull-Out Spray Kitchen
Faucet with Lock, <https://www.pinterest.com/pin/305963368434920384/>
(Year: 2020).*

* cited by examiner

Primary Examiner — Robert A Delehanty
(74) *Attorney, Agent, or Firm* — Foley & Lardner LLP

(57) **CLAIM**

We claim the ornamental design for a faucet, as shown and
described.

DESCRIPTION

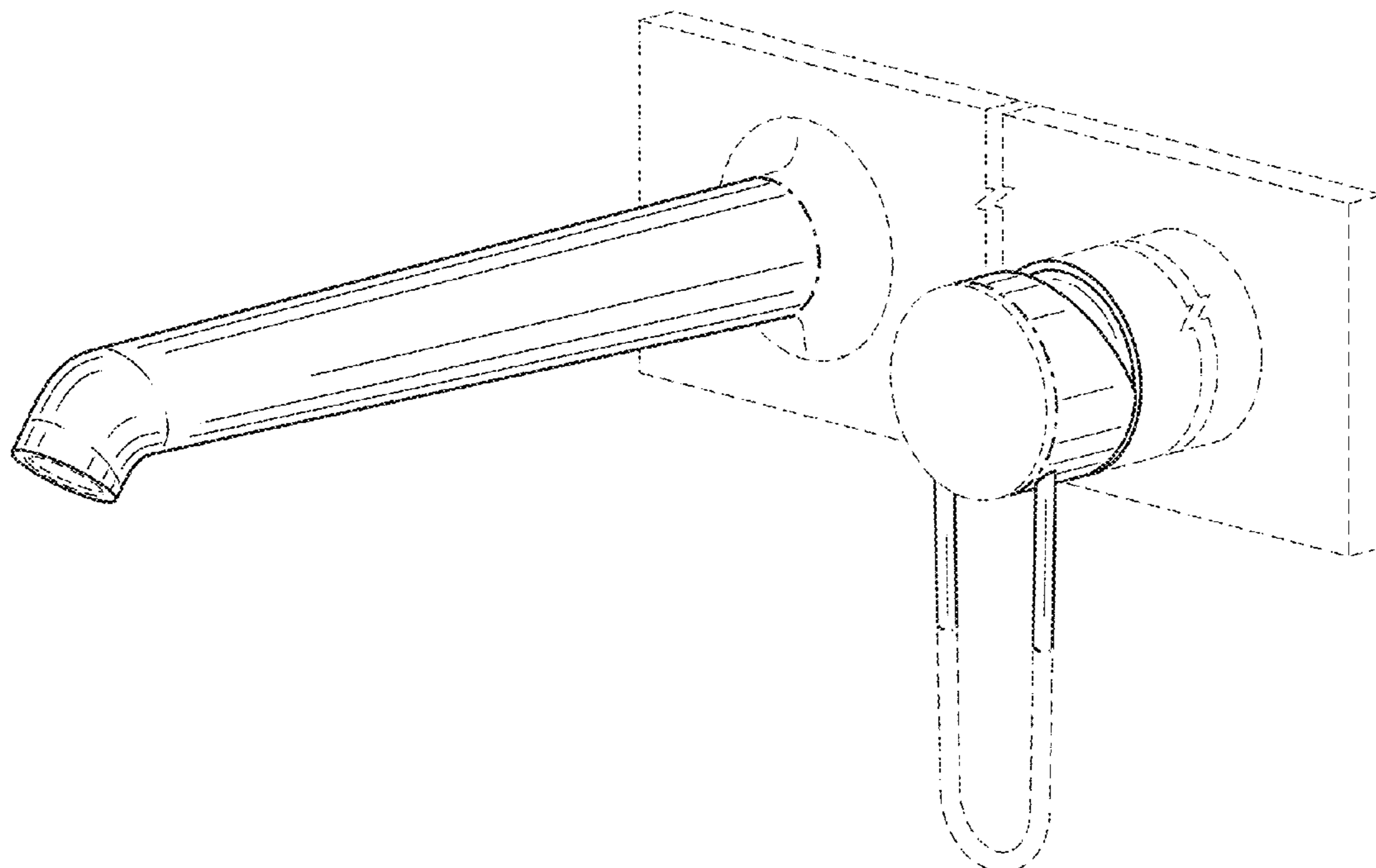
FIG. 1 is a perspective view of an embodiment of the
claimed design;
FIG. 2 is a front view of the embodiment of FIG. 1;
FIG. 3 is a rear view of the embodiment of FIG. 1;
FIG. 4 is a side view of the embodiment of FIG. 1;
FIG. 5 is another side view of the embodiment of FIG. 1;
FIG. 6 is a top view of the embodiment of FIG. 1; and,
FIG. 7 is a bottom view of the embodiment of FIG. 1.
The ornamental design which is claimed is shown in solid
lines in the drawings. The broken lines in the drawings are
for illustrative purposes only and form no part of the claimed
design. Broken lines formed of unequal length dashes (i.e.,
dash-dot) define bounds of the claimed design.

1 Claim, 6 Drawing Sheets

(56) **References Cited**

U.S. PATENT DOCUMENTS

D291,238 S * 8/1987 Haug D23/252
D421,486 S * 3/2000 Slothower et al.
D467,307 S * 12/2002 Sieger D23/241
D492,011 S * 6/2004 Blattner D23/238
D514,200 S * 1/2006 Starck D23/238
D535,360 S * 1/2007 Noth D23/238
D580,519 S * 11/2008 Citterio D23/238
D584,799 S * 1/2009 Zetsche D23/238
D760,065 S * 6/2016 Kuehn D8/354
D811,529 S * 2/2018 Schoenherr D23/238
D813,987 S * 3/2018 Schoenherr D23/238



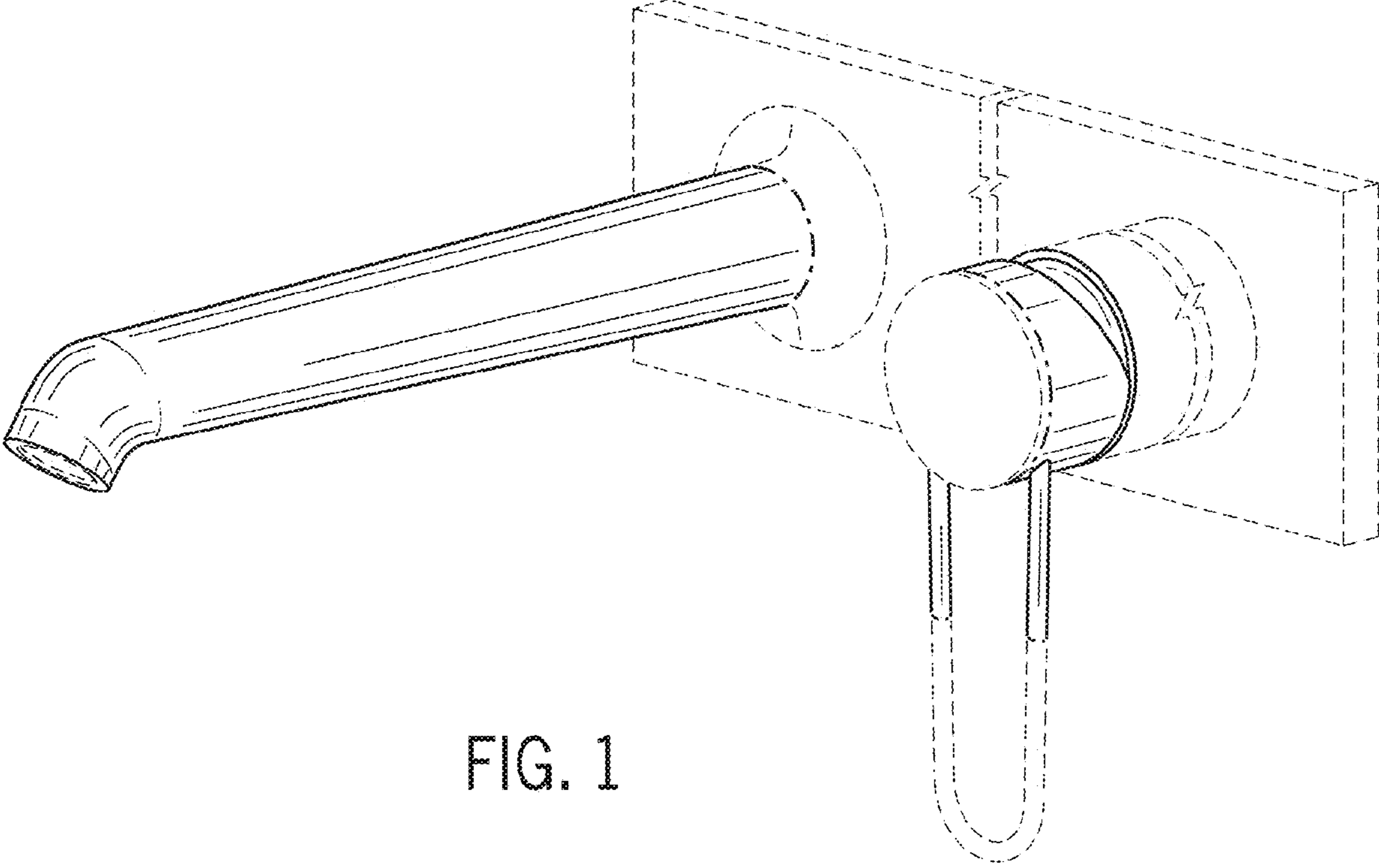


FIG. 1

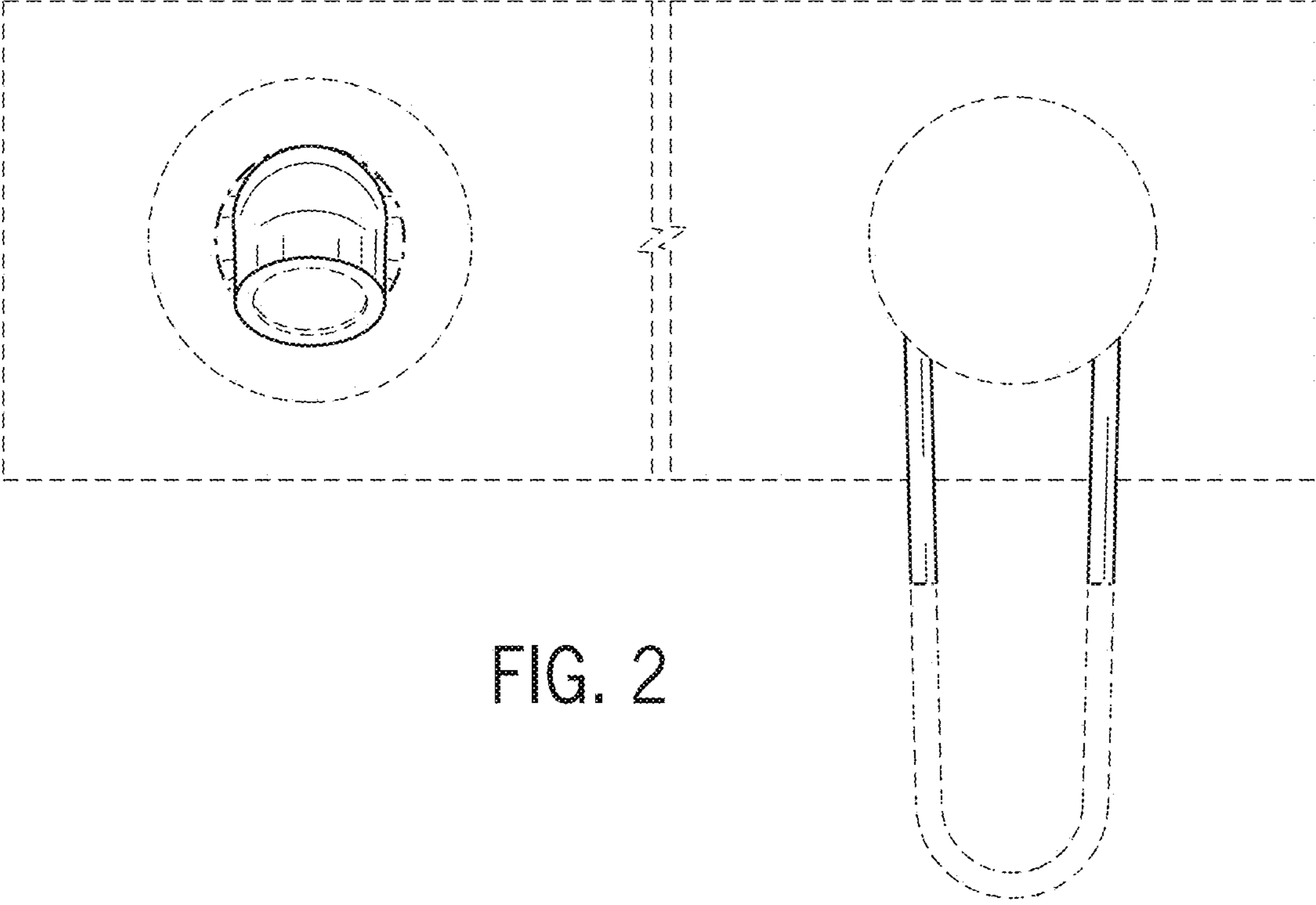


FIG. 2

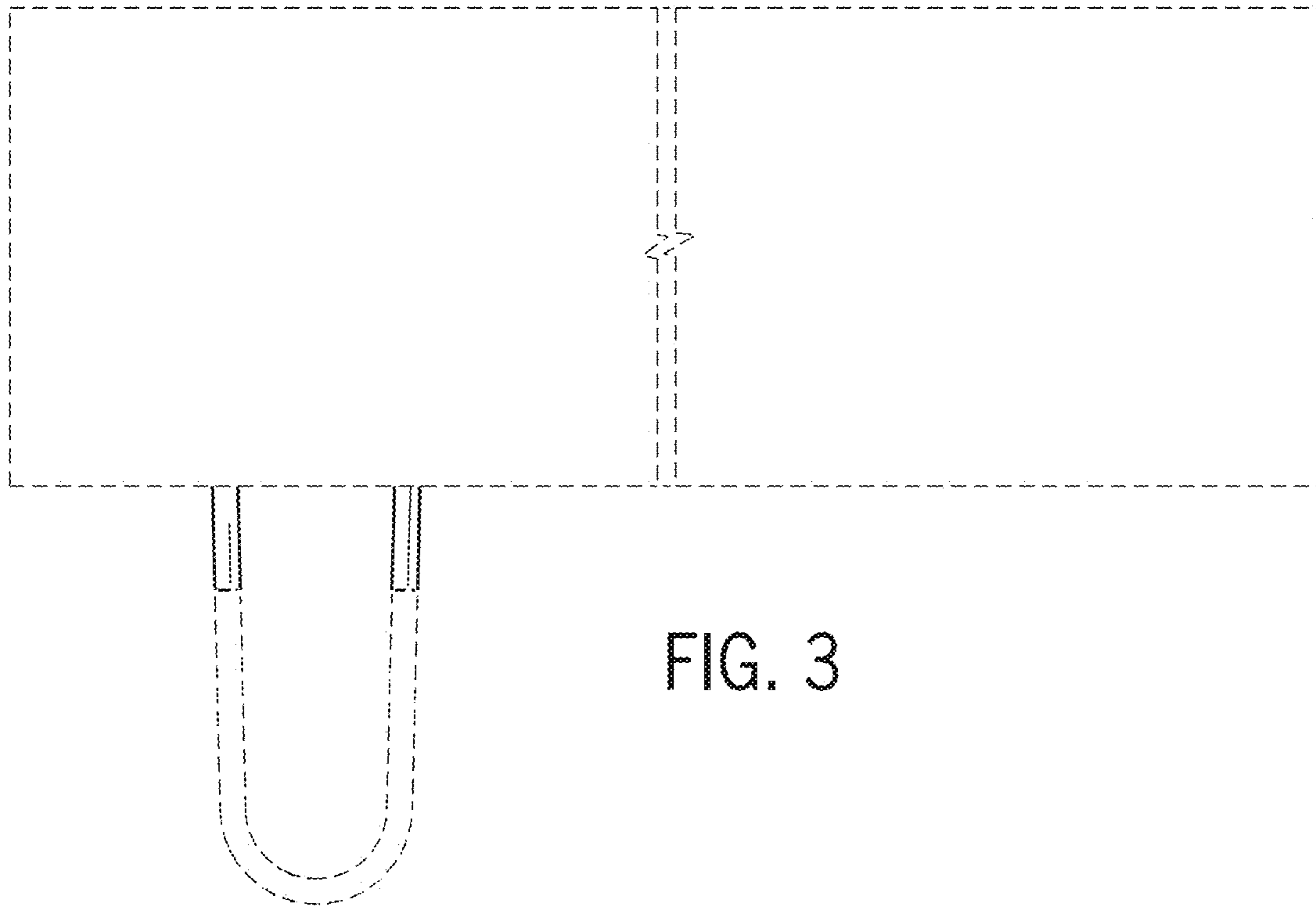


FIG. 3

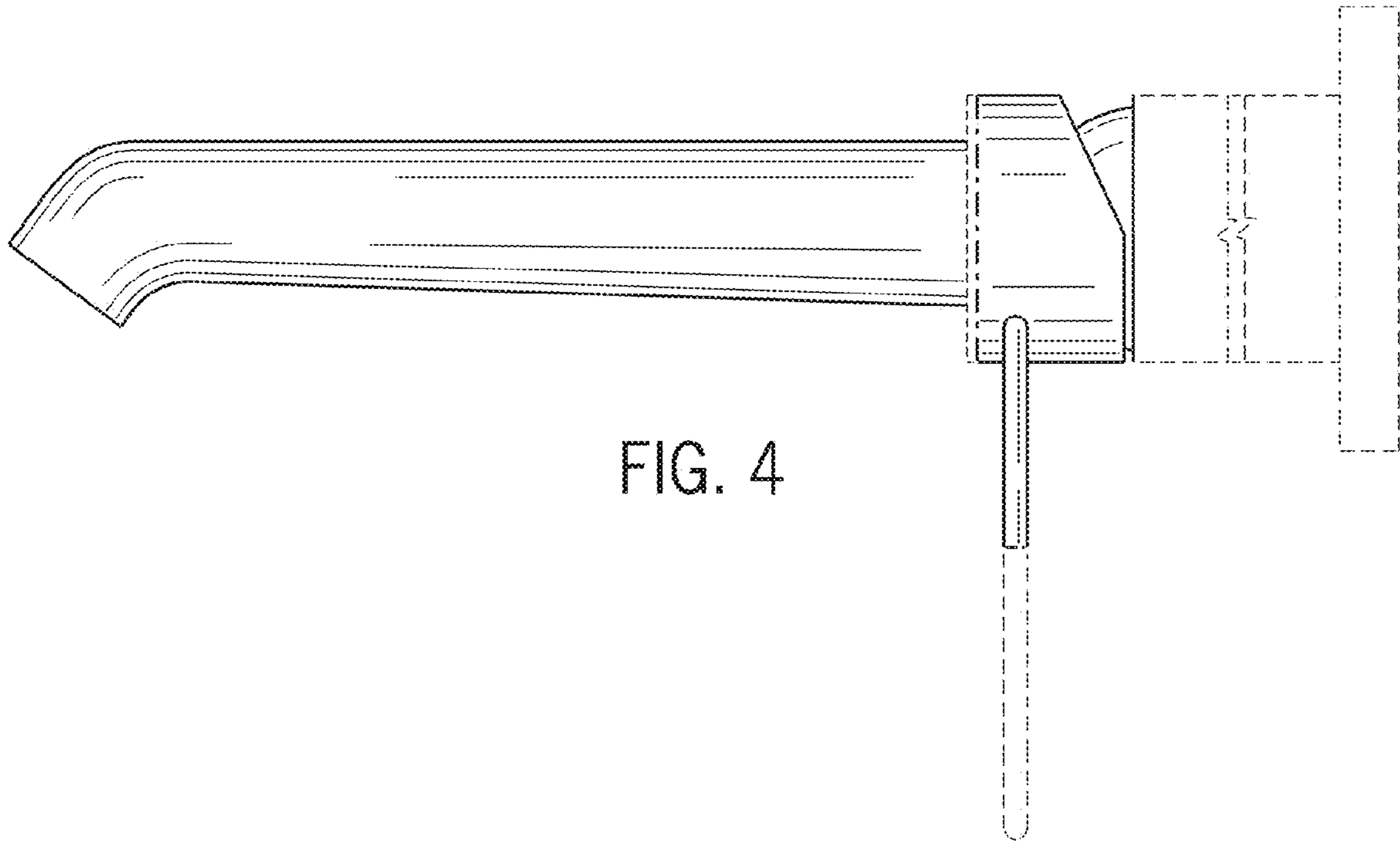


FIG. 4

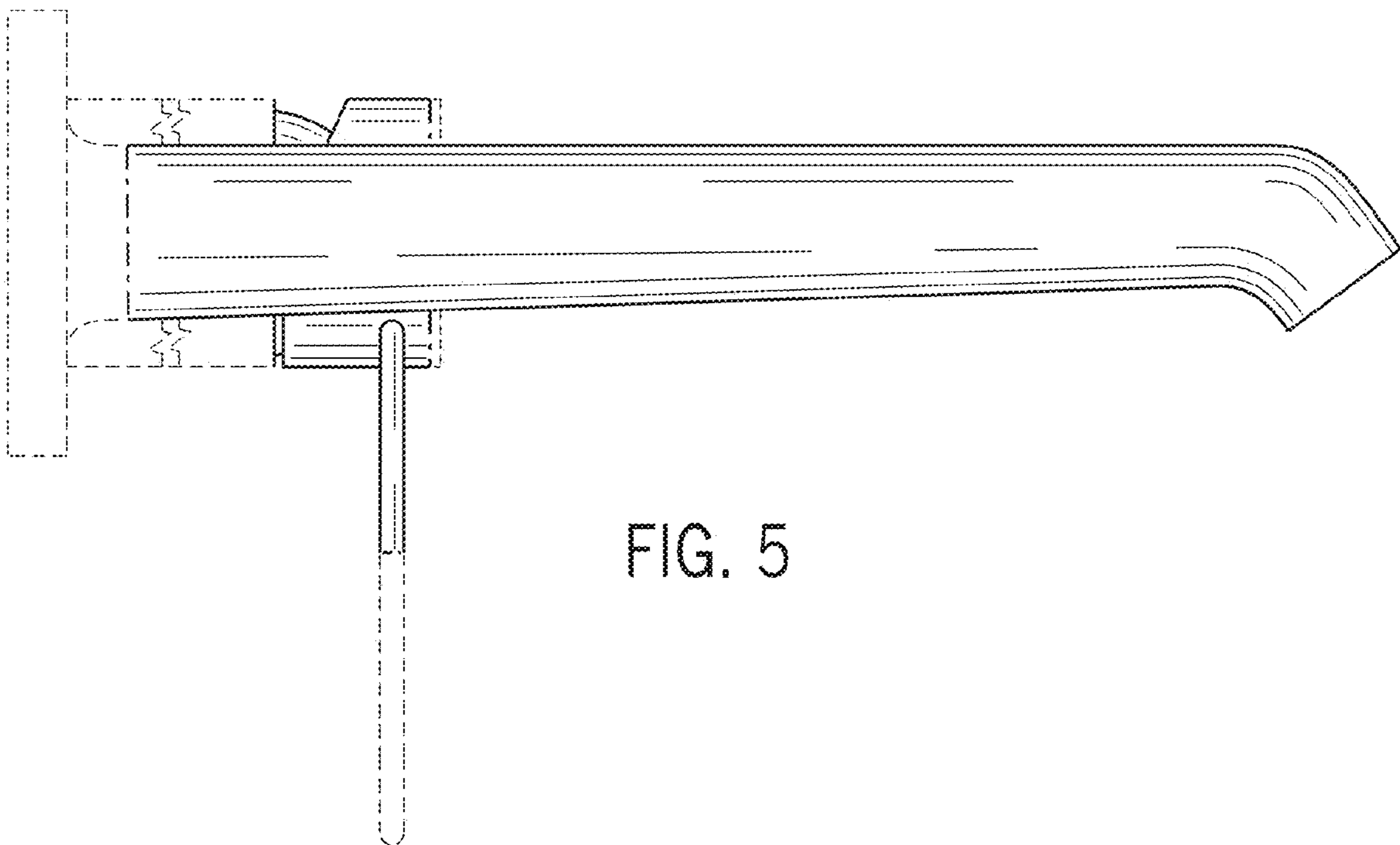


FIG. 5

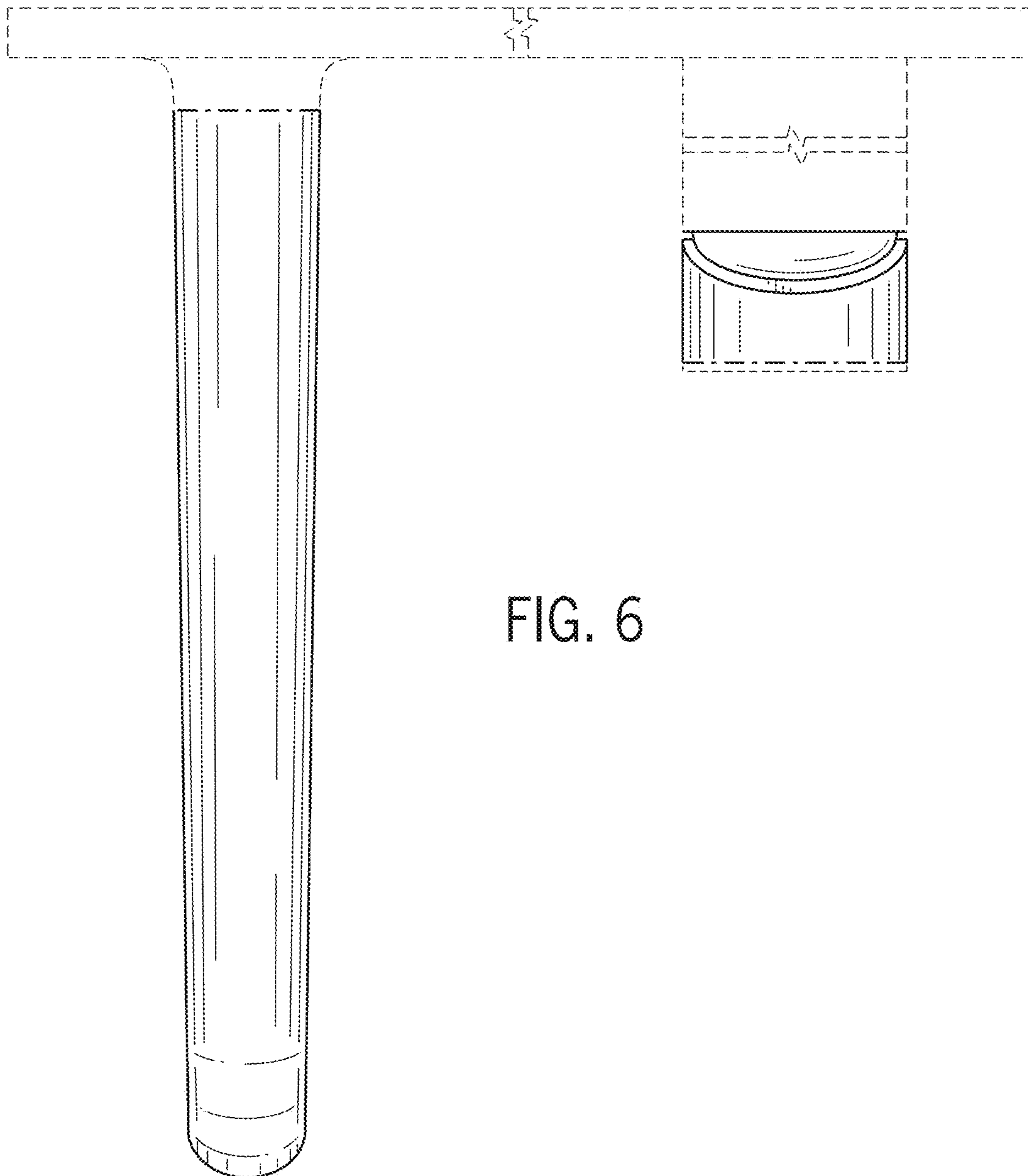


FIG. 6

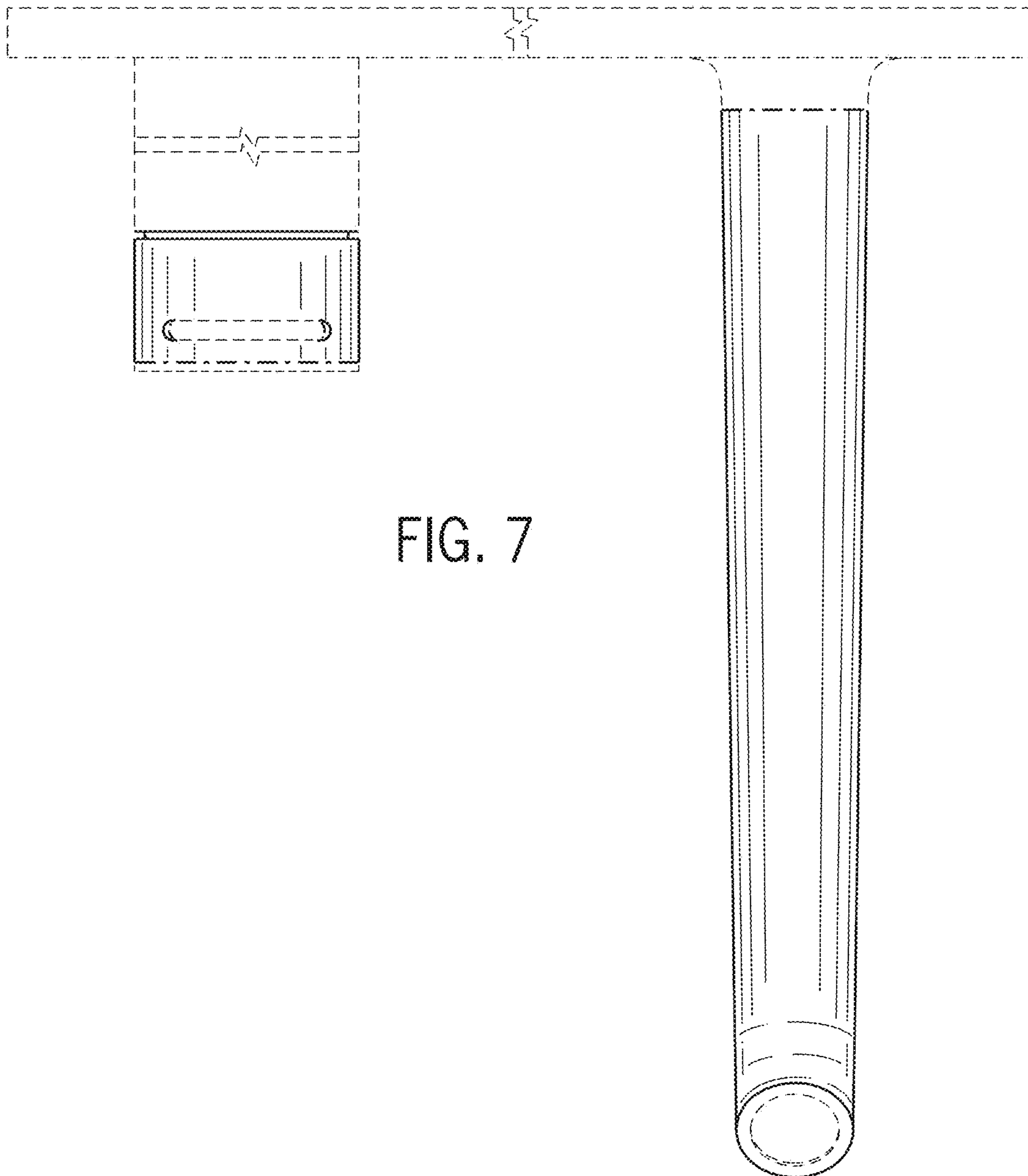


FIG. 7