



US00D923750S

(12) **United States Design Patent**  
**Zheng**

(10) **Patent No.:** **US D923,750 S**

(45) **Date of Patent:** **\*\* Jun. 29, 2021**

(54) **WATER SPRAYING GUN**

(71) Applicant: **YONGKANG CHUNKAI IMPORT & EXPORT CO., LTD**, Jinhua (CN)

(72) Inventor: **Bo Zheng**, Ningbo (CN)

(73) Assignee: **YONGKANG CHUNKAI IMPORT & EXPORT CO., LTD**, Jinhua (CN)

(\*\*) Term: **15 Years**

(21) Appl. No.: **29/769,032**

(22) Filed: **Feb. 3, 2021**

(30) **Foreign Application Priority Data**

Aug. 4, 2020 (CN) ..... 202030434694.6

(51) **LOC (13) Cl.** ..... **23-01**

(52) **U.S. Cl.**  
USPC ..... **D23/226**

(58) **Field of Classification Search**  
USPC ..... D23/206, 213, 214, 223, 225, 226, 255  
CPC ..... A61H 33/00; B05B 1/005; B05B 1/3013;  
B05B 9/01; B05B 1/08  
See application file for complete search history.

(56) **References Cited**

**U.S. PATENT DOCUMENTS**

D452,297 S	*	12/2001	Chao	.....	D23/226
D453,371 S	*	2/2002	Wang	.....	D23/226
D453,814 S	*	2/2002	Wang	.....	D23/226
D464,707 S	*	10/2002	Wang	.....	D23/226
D465,550 S	*	11/2002	Wang	.....	D23/226

D501,537 S	*	2/2005	Zeng	.....	D23/226
D501,538 S	*	2/2005	Zeng	.....	D23/226
D532,077 S	*	11/2006	Chen	.....	D23/213
D553,711 S	*	10/2007	Chih	.....	D23/226
D585,108 S	*	1/2009	Cheng	.....	D23/223
D585,958 S	*	2/2009	Cheng	.....	D23/223
D615,615 S	*	5/2010	Cheng	.....	D23/226
D779,634 S		2/2017	Chen		
D780,292 S	*	2/2017	Chen	.....	D23/226
D819,783 S		6/2018	Urry		

\* cited by examiner

*Primary Examiner* — Karen S Acker

*Assistant Examiner* — Jonathan Emil Fiencke

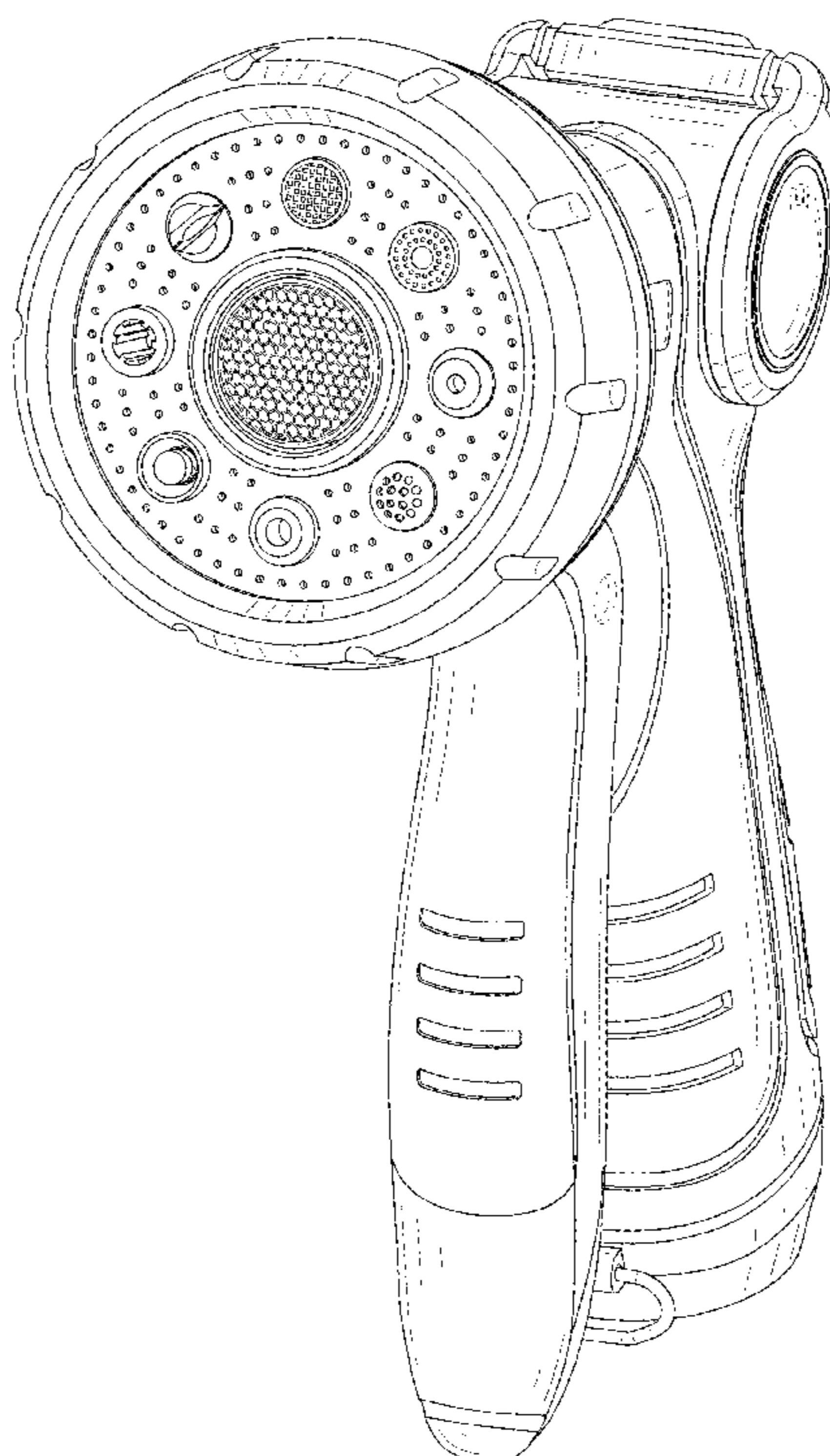
(57) **CLAIM**

The ornamental design for a water spraying gun, as shown and described.

**DESCRIPTION**

FIG. 1 is a perspective view of a water spraying gun showing my new design;  
FIG. 2 is another perspective view thereof;  
FIG. 3 is another perspective view thereof;  
FIG. 4 is a front elevational view thereof;  
FIG. 5 is a rear elevational view thereof;  
FIG. 6 is a left side elevational view thereof;  
FIG. 7 is a right side elevational view thereof;  
FIG. 8 is a top plan view thereof; and,  
FIG. 9 is a bottom plan view thereof.  
The broken lines in the drawings depict portions of the water spraying gun that form no part of the claimed design.

**1 Claim, 9 Drawing Sheets**



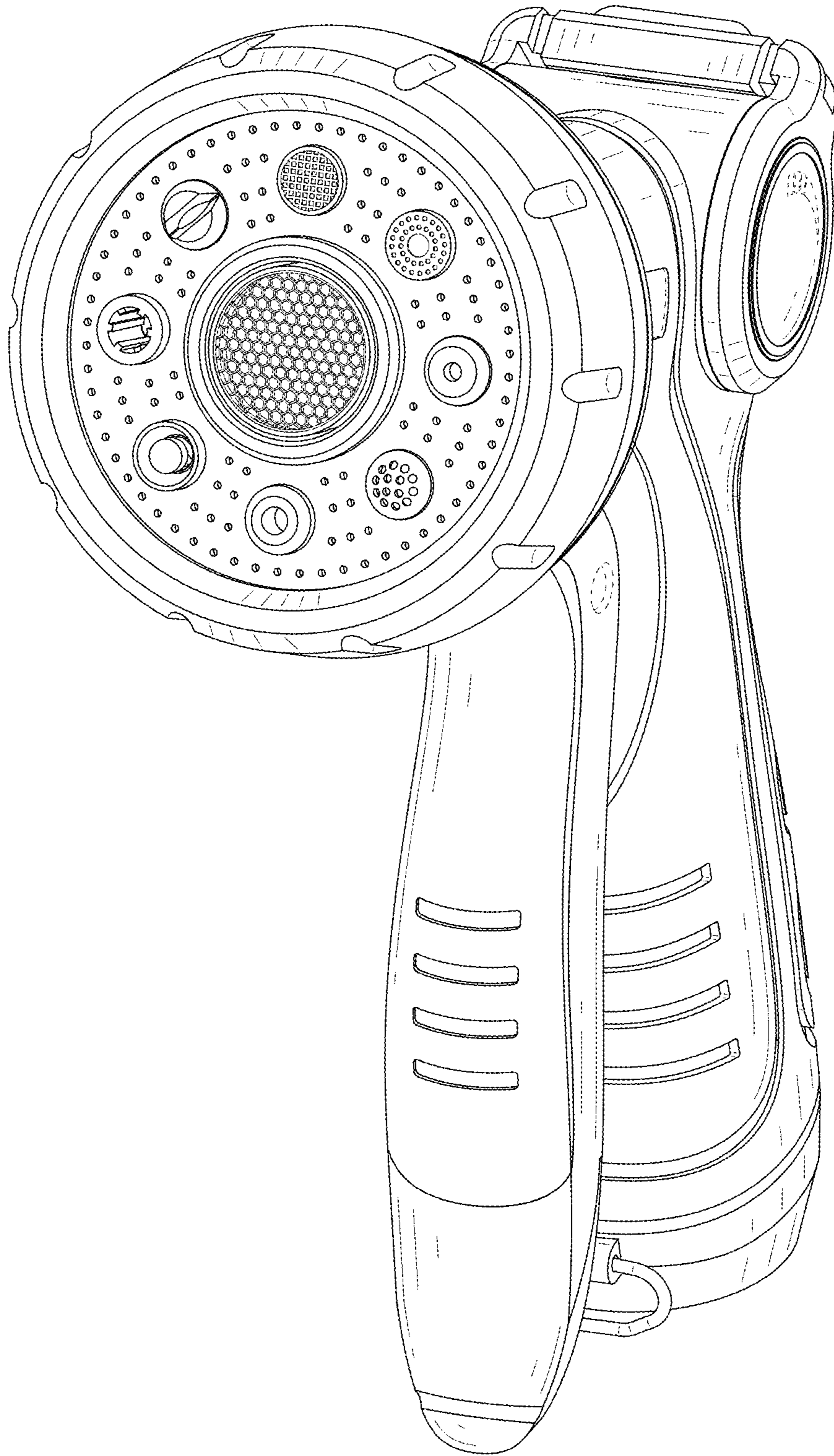


FIG. 1

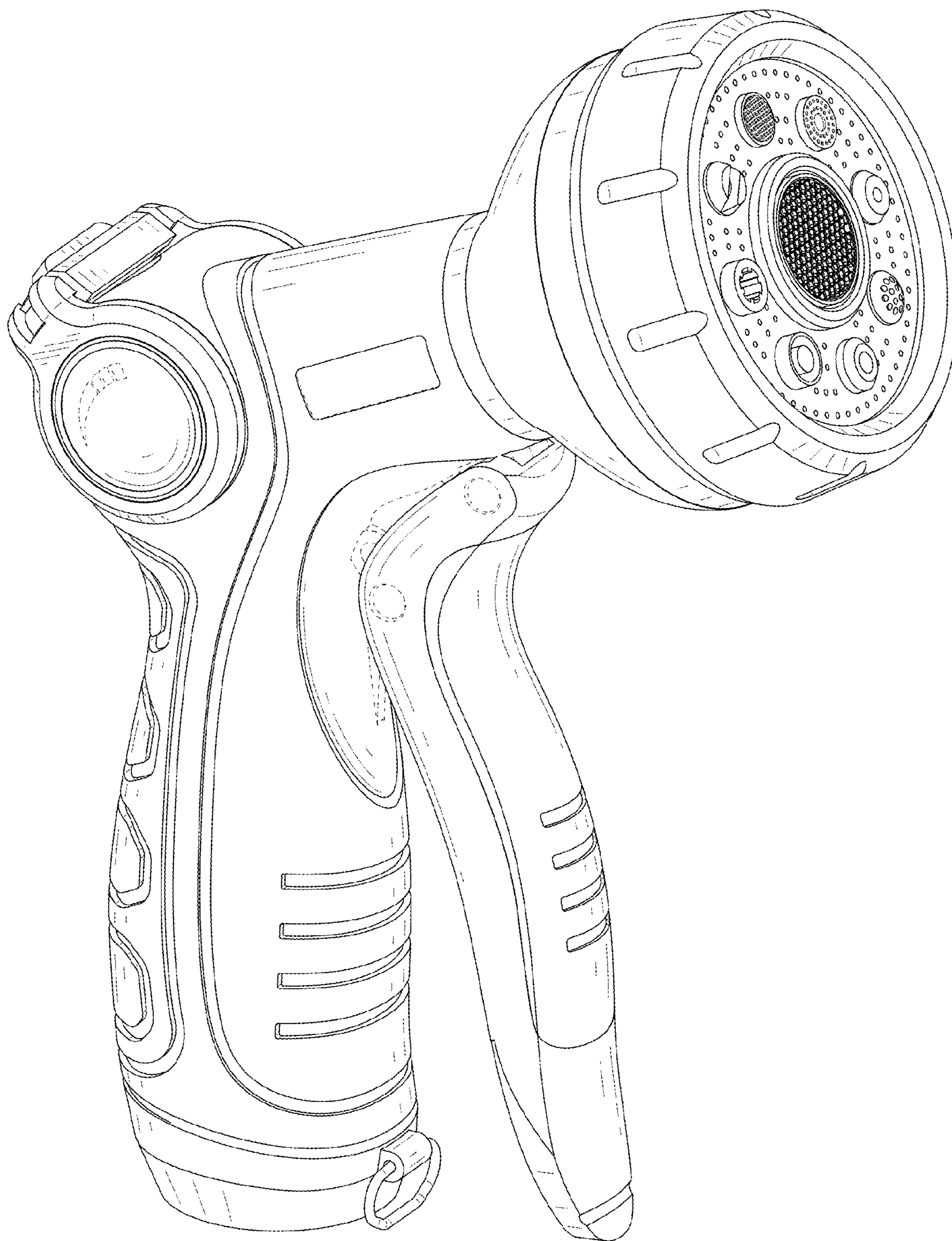


FIG. 2

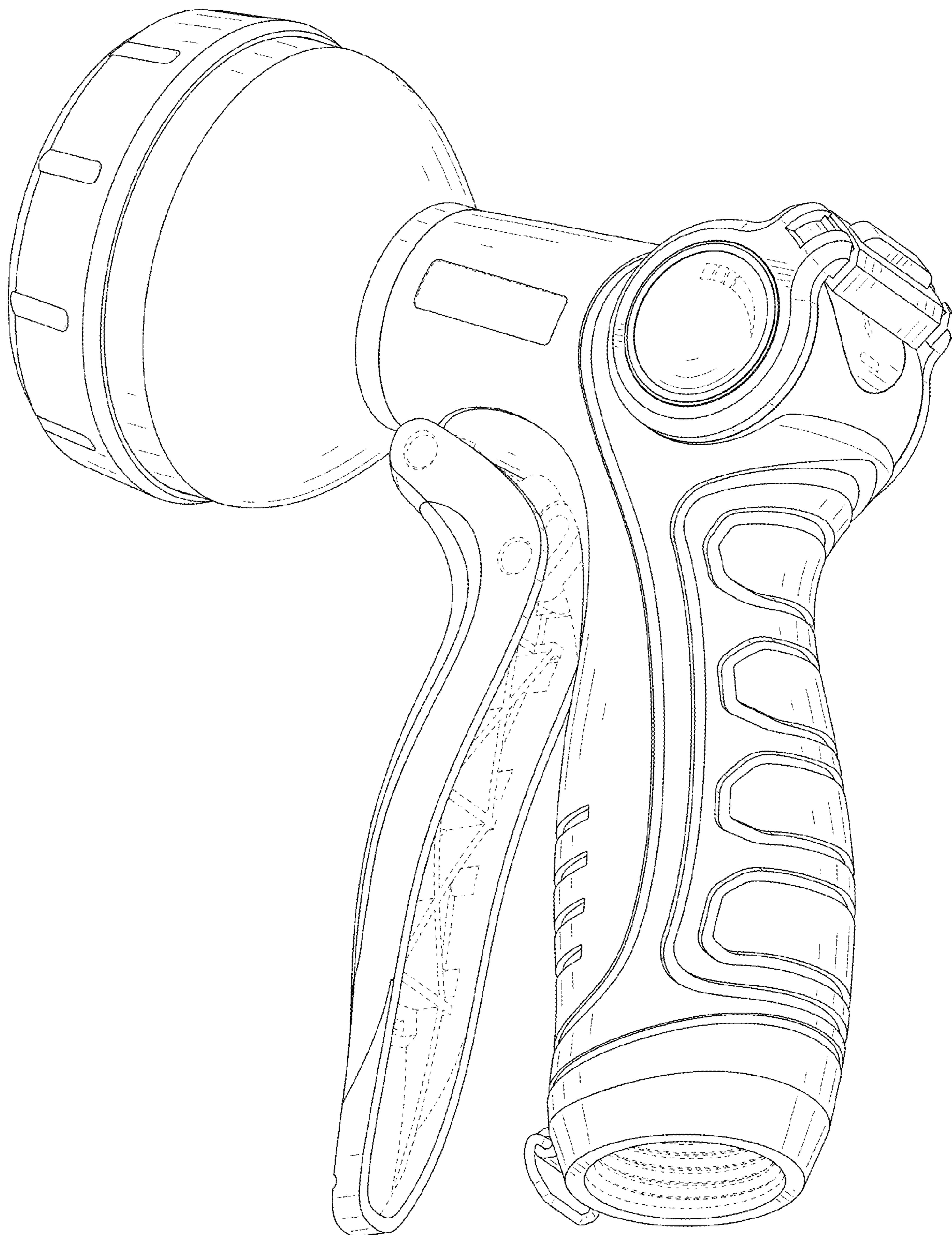


FIG. 3

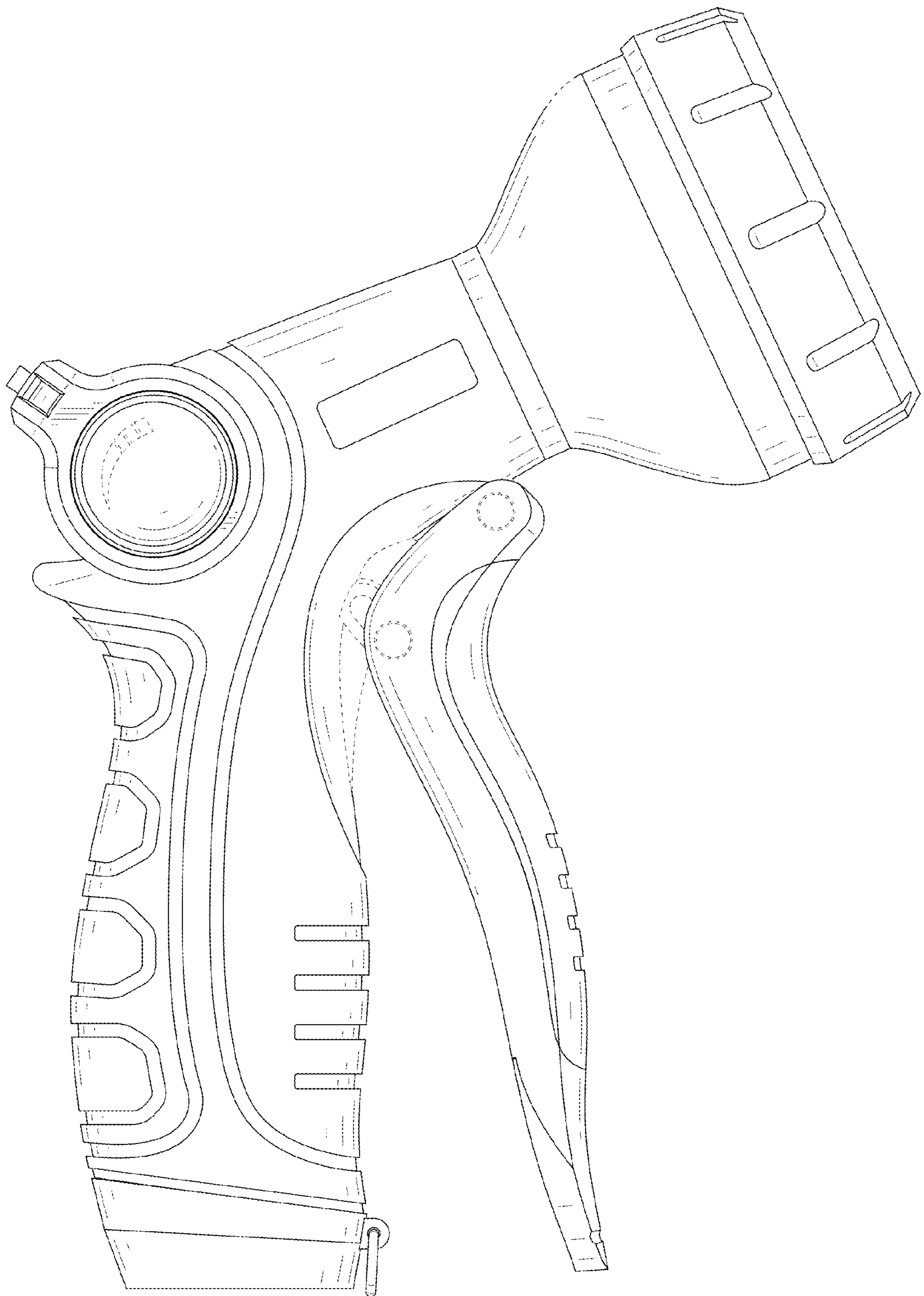


FIG. 4

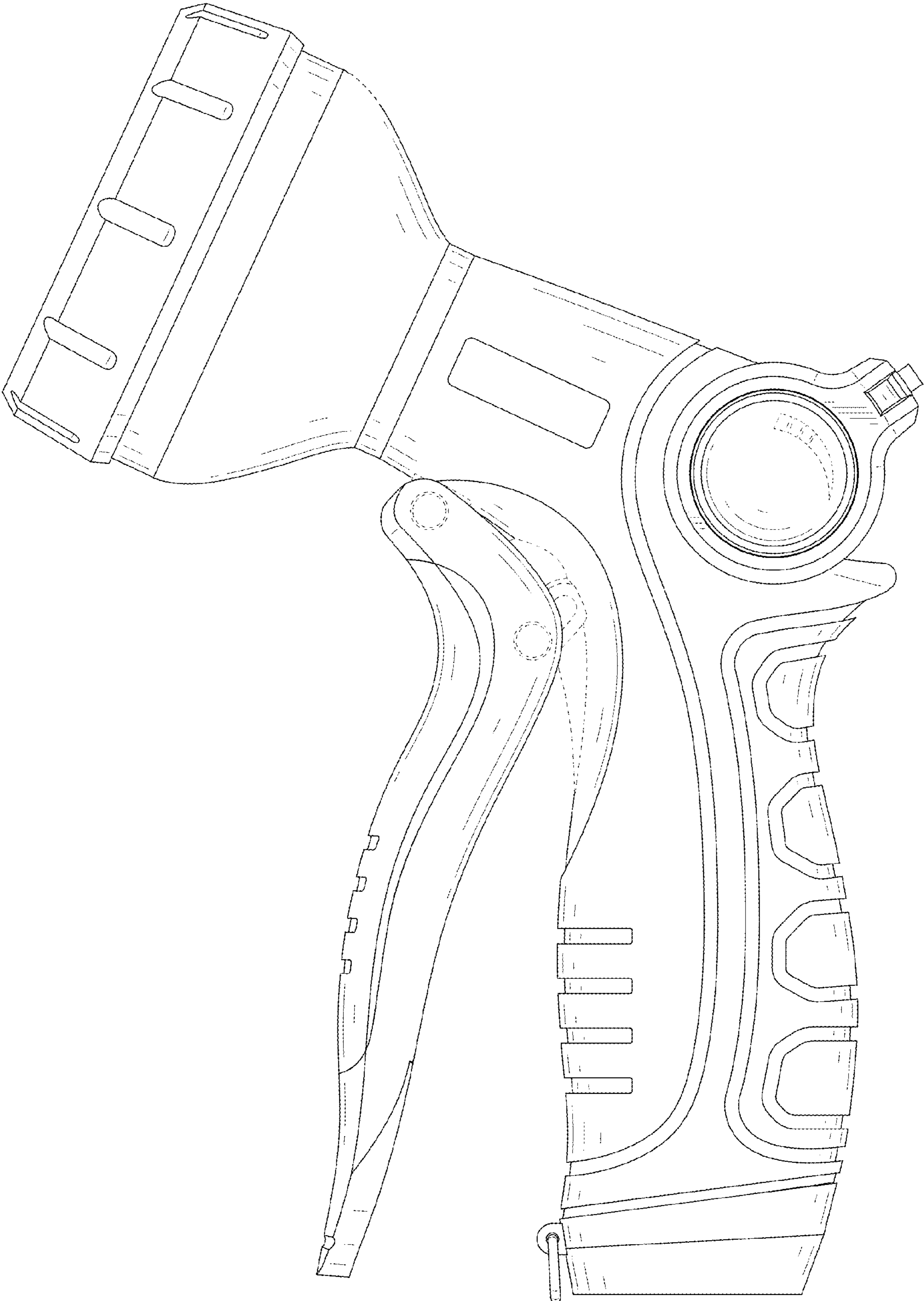


FIG. 5

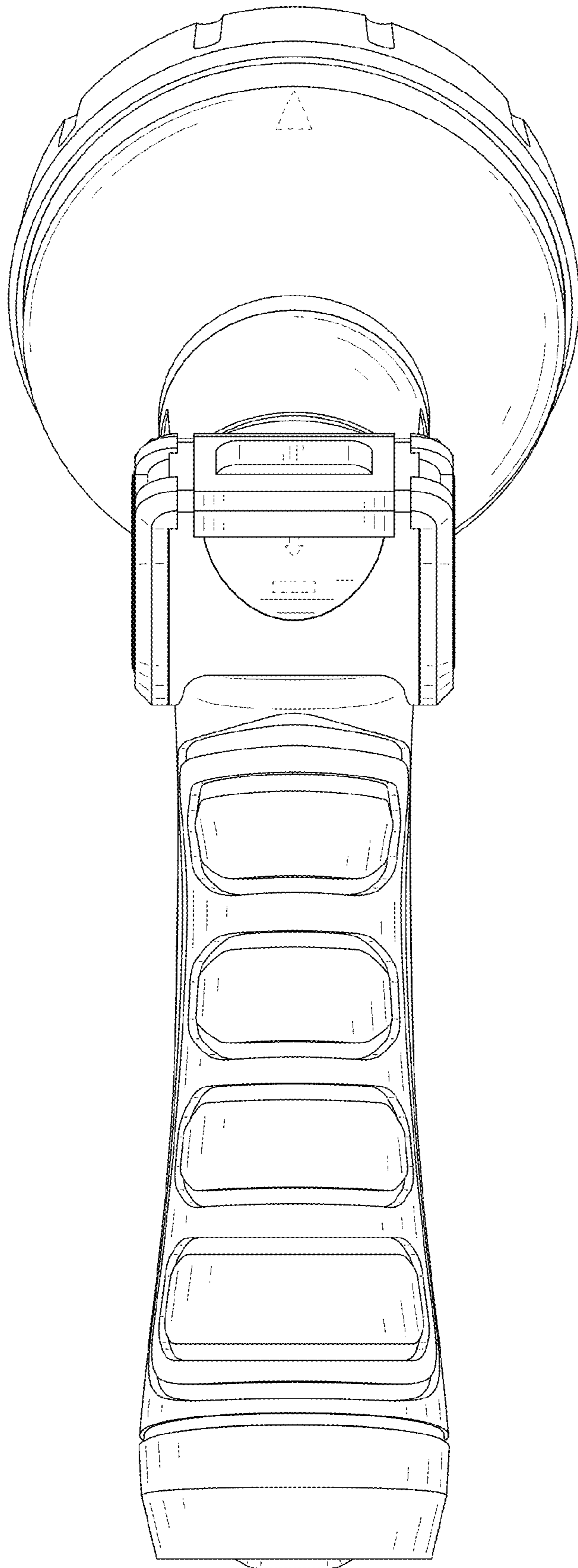


FIG. 6

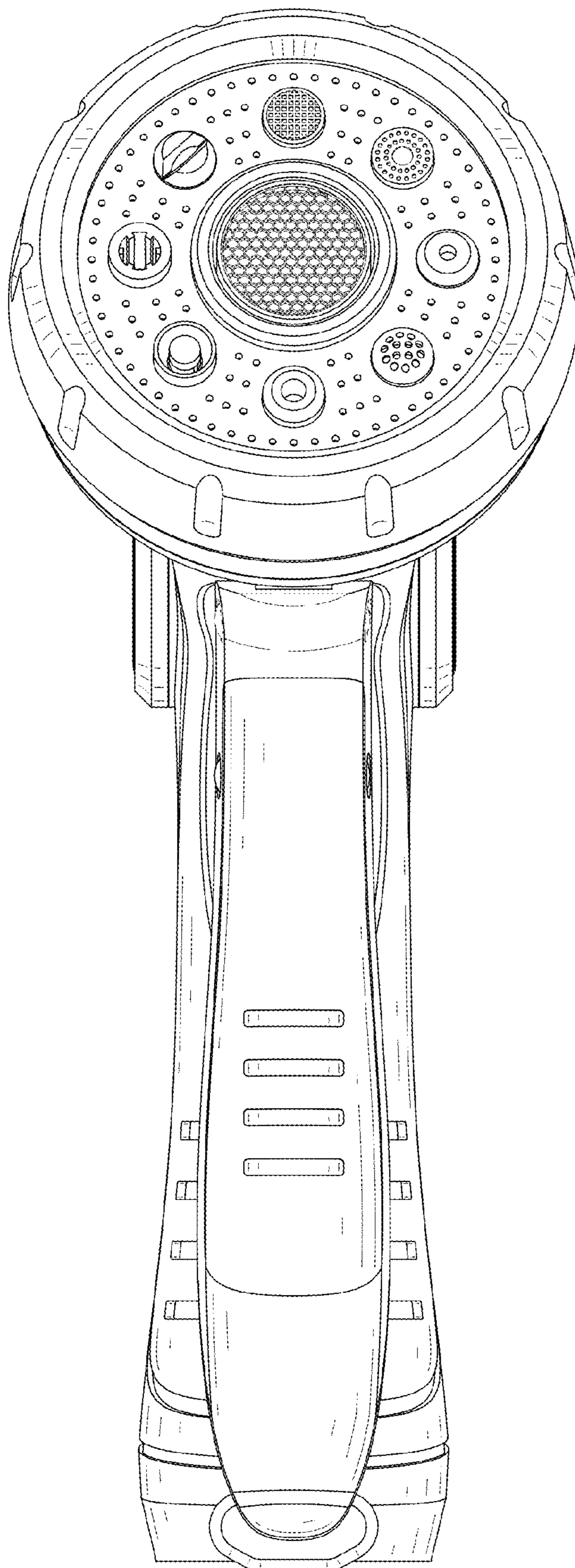


FIG. 7



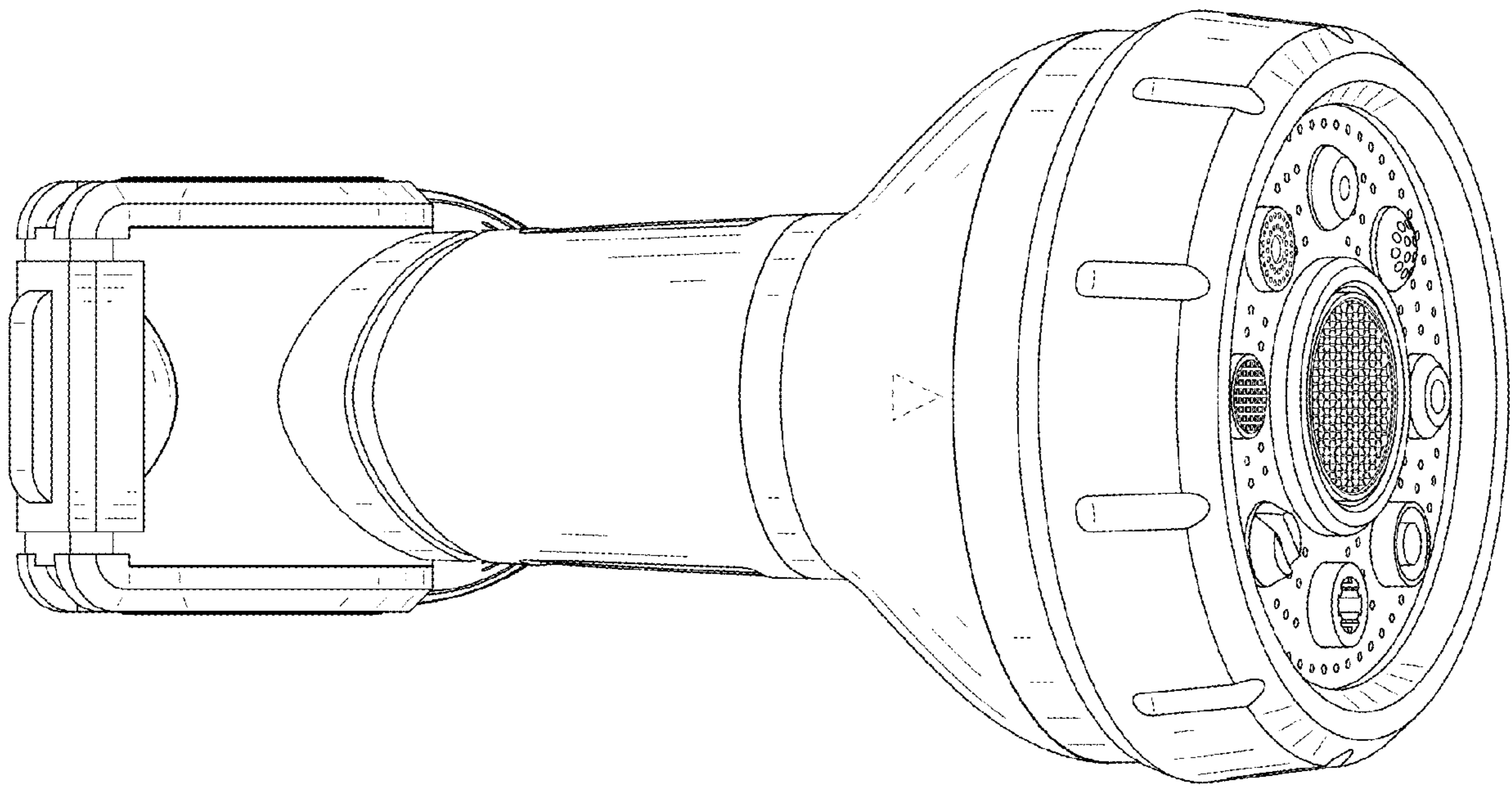


FIG. 8

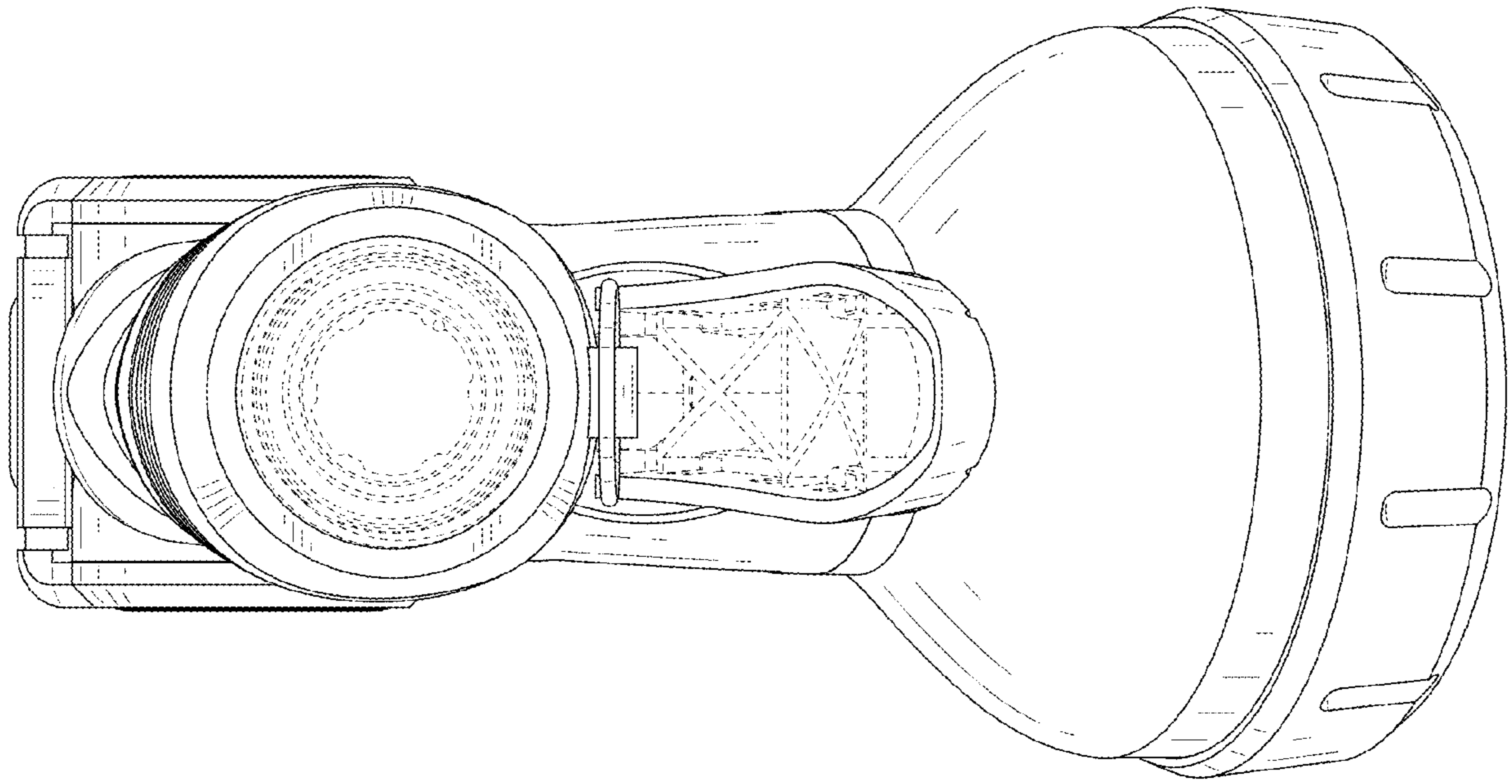


FIG. 9