



US00D923749S

(12) **United States Design Patent**
Li et al.

(10) **Patent No.:** **US D923,749 S**
(45) **Date of Patent:** **** Jun. 29, 2021**

(54) **SHOWER SPRAY**

(71) Applicant: **Xiamen Unionta Industrial Co., Ltd.**,
Xiamen (CN)

(72) Inventors: **Zhenyin Li**, Xiamen (CN); **Xueping Hou**, Xiamen (CN); **Chuanli Xu**, Xiamen (CN); **Zekai Xu**, Xiamen (CN)

(73) Assignee: **Xiamen Unionta Industrial Co., Ltd.**,
Xiamen (CN)

(**) Term: **15 Years**

(21) Appl. No.: **29/710,561**

(22) Filed: **Oct. 24, 2019**

(30) **Foreign Application Priority Data**

Aug. 22, 2019 (CN) 201930457980.1

(51) **LOC (13) Cl.** **23-01**

(52) **U.S. Cl.**
USPC **D23/226**

(58) **Field of Classification Search**
USPC D23/213, 223, 226, 228, 229, 230, 238,
D23/239, 240, 241, 249
CPC B05B 1/16; B05B 1/1618; B05B 1/18;
B05B 1/185; E03C 1/0405; E03C 1/06;
E03C 1/063; E03C 1/066; E03C 1/084;
E03C 2001/0415
See application file for complete search history.

(56) **References Cited**

U.S. PATENT DOCUMENTS

4,107,046 A * 8/1978 Corder B01D 35/043
210/282
4,863,103 A * 9/1989 Gannaway C02F 1/003
239/289
D385,949 S * 11/1997 Yang D23/226
D512,133 S * 11/2005 Kosasih D23/255

D524,907 S * 7/2006 Bosch D23/223
D532,078 S * 11/2006 Bosio D23/226
D555,765 S * 11/2007 Bosio D23/223
D560,754 S * 1/2008 Nobili D23/223
D568,440 S * 5/2008 Pan D23/223
D581,486 S * 11/2008 Fulford D23/223
D591,398 S * 4/2009 Lammel D23/238
D617,417 S * 6/2010 Lin D23/223
D624,988 S * 10/2010 Lammel D23/238
D628,275 S * 11/2010 Lammel D23/238
D655,398 S * 3/2012 Bosio D23/255
8,727,241 B2 * 5/2014 Bosio B05B 1/1618
239/525
D788,265 S * 5/2017 Ho D23/226

(Continued)

OTHER PUBLICATIONS

“Fdit Handheld Bidet”, May 2, 2018, Amazon, site visited Apr. 5, 2021: <https://www.amazon.ca/dp/B07CQRNZHB/> (Year: 2018).*

(Continued)

Primary Examiner — Jack Reickel

Assistant Examiner — Bobby W Jones, II

(74) *Attorney, Agent, or Firm* — Westbridge IP LLC

(57) **CLAIM**

The ornamental design for a shower spray, as shown and described.

DESCRIPTION

FIG. 1 is a perspective view of a shower spray showing our new design;

FIG. 2 is a front elevational view thereof;

FIG. 3 is a rear elevational view thereof;

FIG. 4 is a left side view thereof;

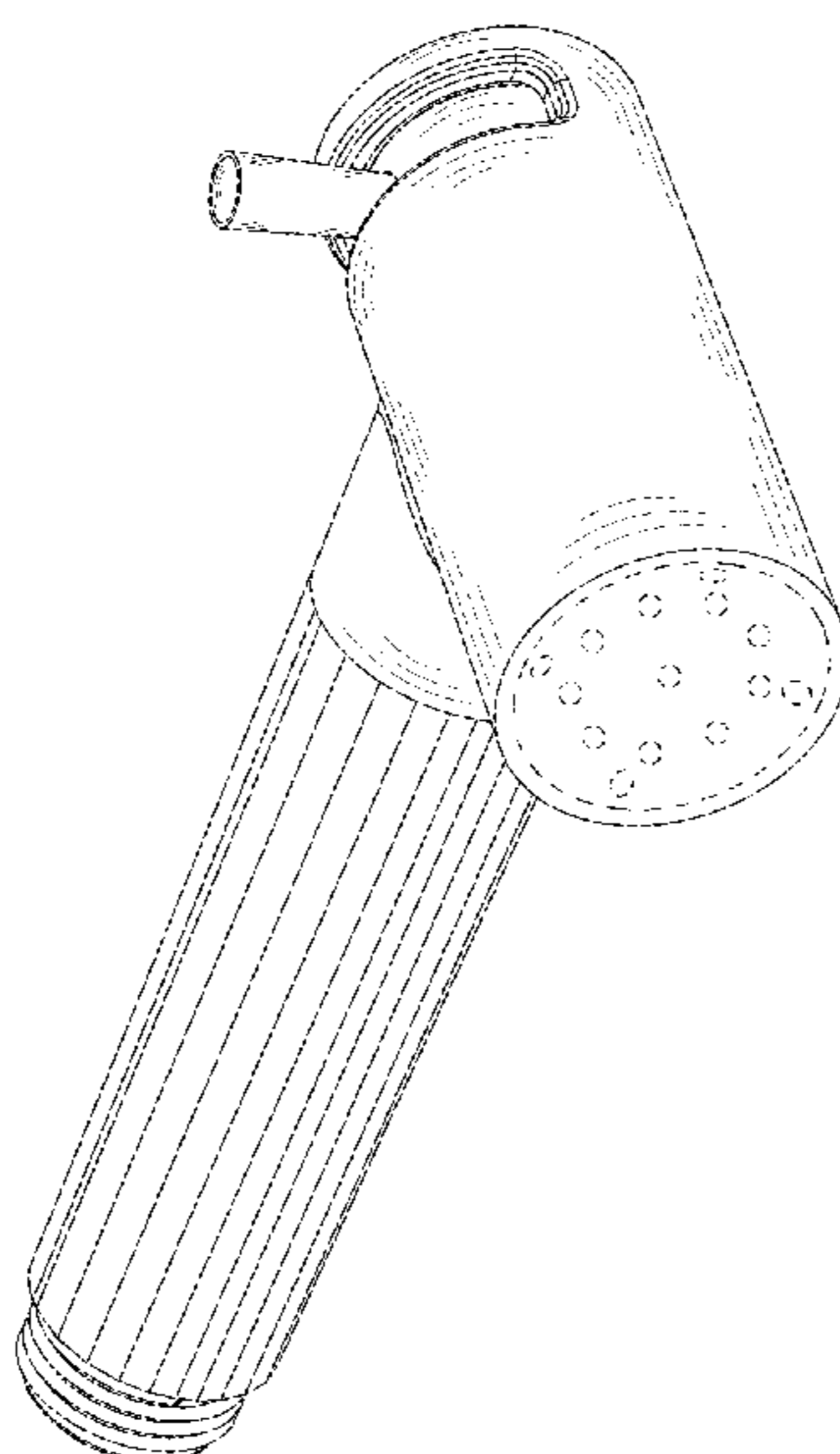
FIG. 5 is a right side view thereof;

FIG. 6 is a top plan view; and,

FIG. 7 is a bottom plan view thereof.

The broken lines in the drawings show portions of the shower spray that form no part of the claimed design.

1 Claim, 7 Drawing Sheets



(56)

References Cited

U.S. PATENT DOCUMENTS

D791,407 S * 7/2017 Smith D28/13
D806,211 S * 12/2017 Bahler D23/223
D824,060 S * 7/2018 Kunzendorf D26/45
D855,760 S * 8/2019 Lee D23/223
D915,563 S * 4/2021 Seum D23/257
2010/0084487 A1* 4/2010 Gautschi B05B 1/24
239/97
2010/0092231 A1* 4/2010 Kao B05B 7/0408
401/268

OTHER PUBLICATIONS

“Muiha J-BP001”, May 22, 2017, Amazon, site visited Apr. 5, 2021:
<https://www.amazon.ca/dp/B072HT3NSR/> (Year: 2017).*

* cited by examiner

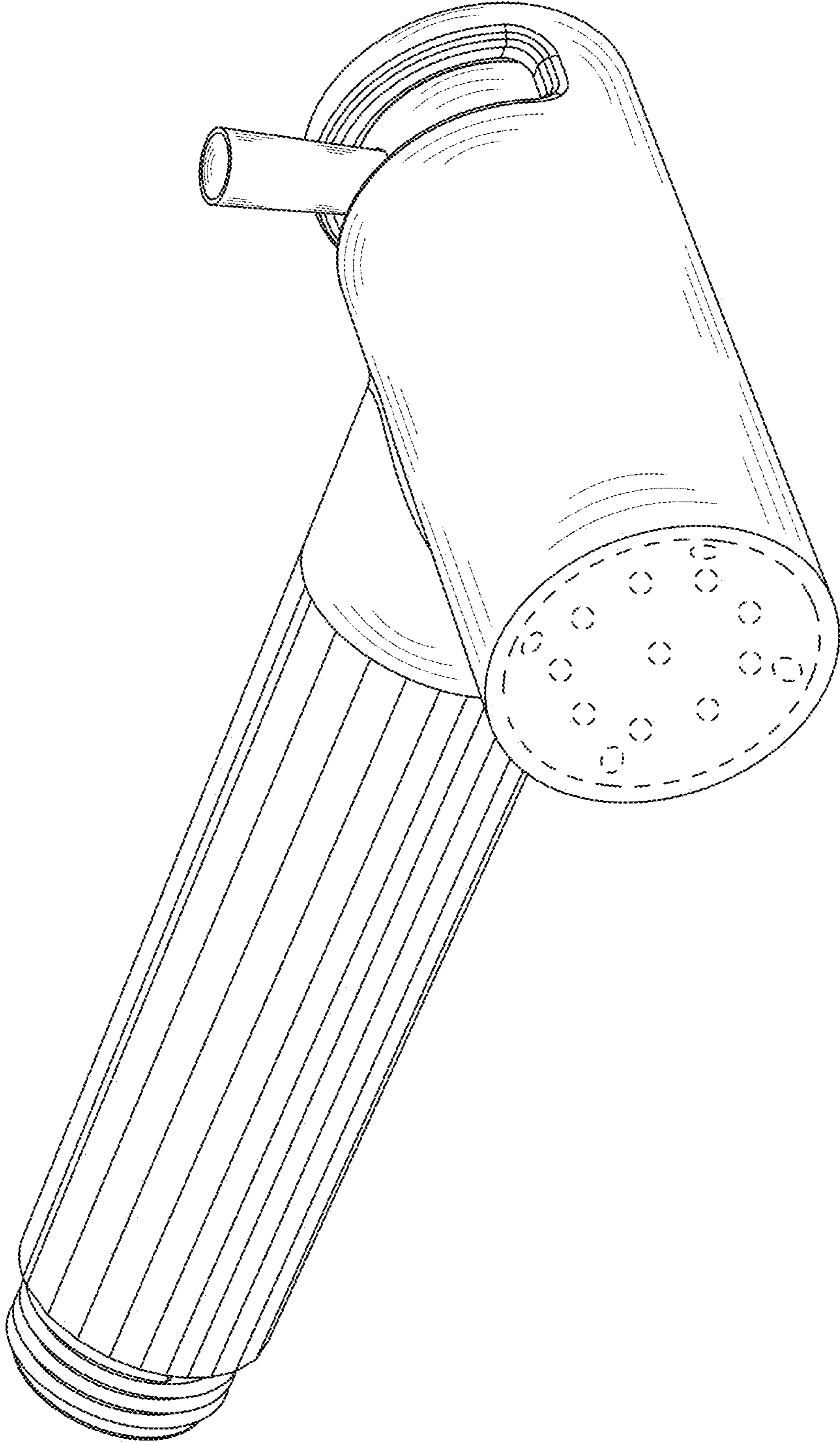


FIG 1

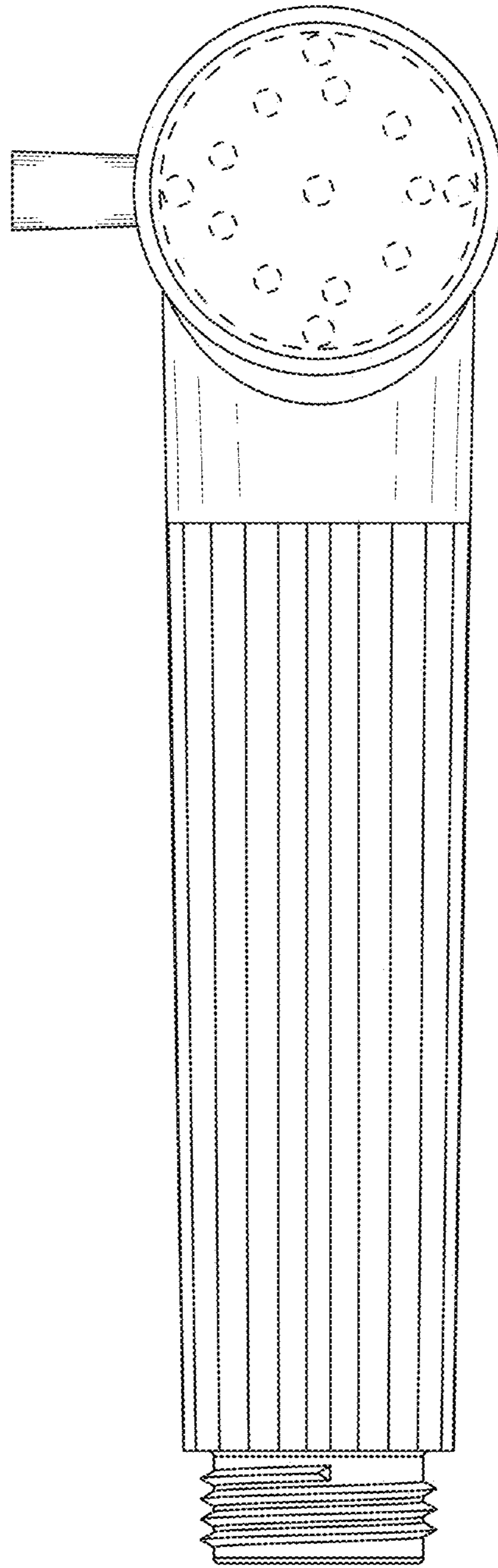


FIG 2

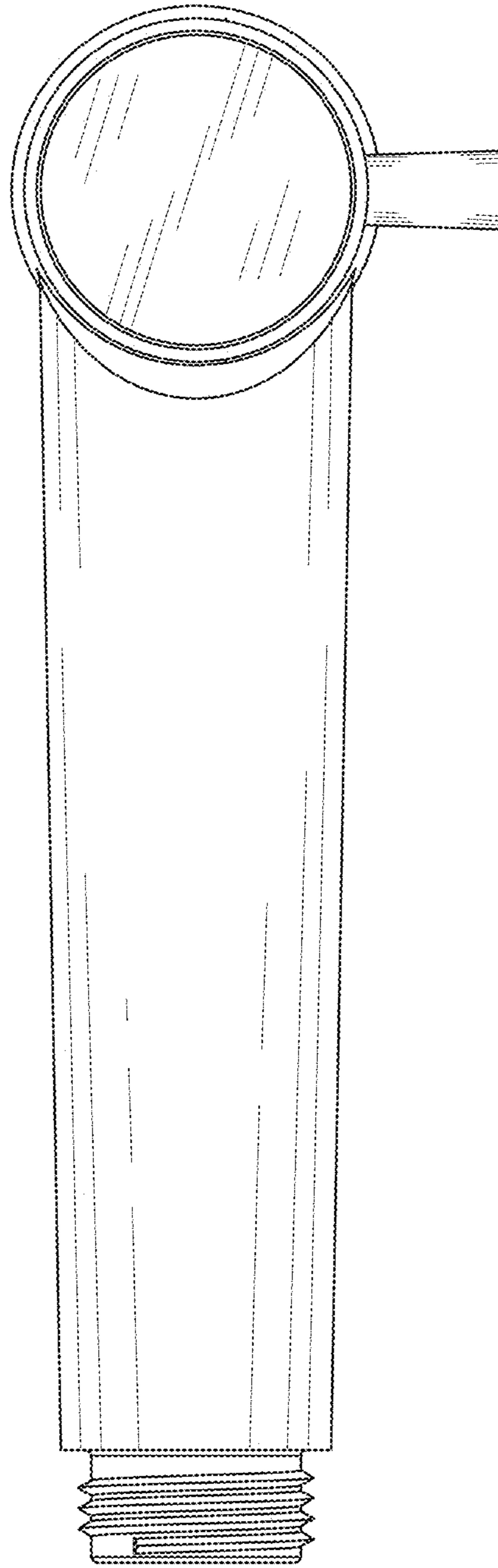


FIG 3

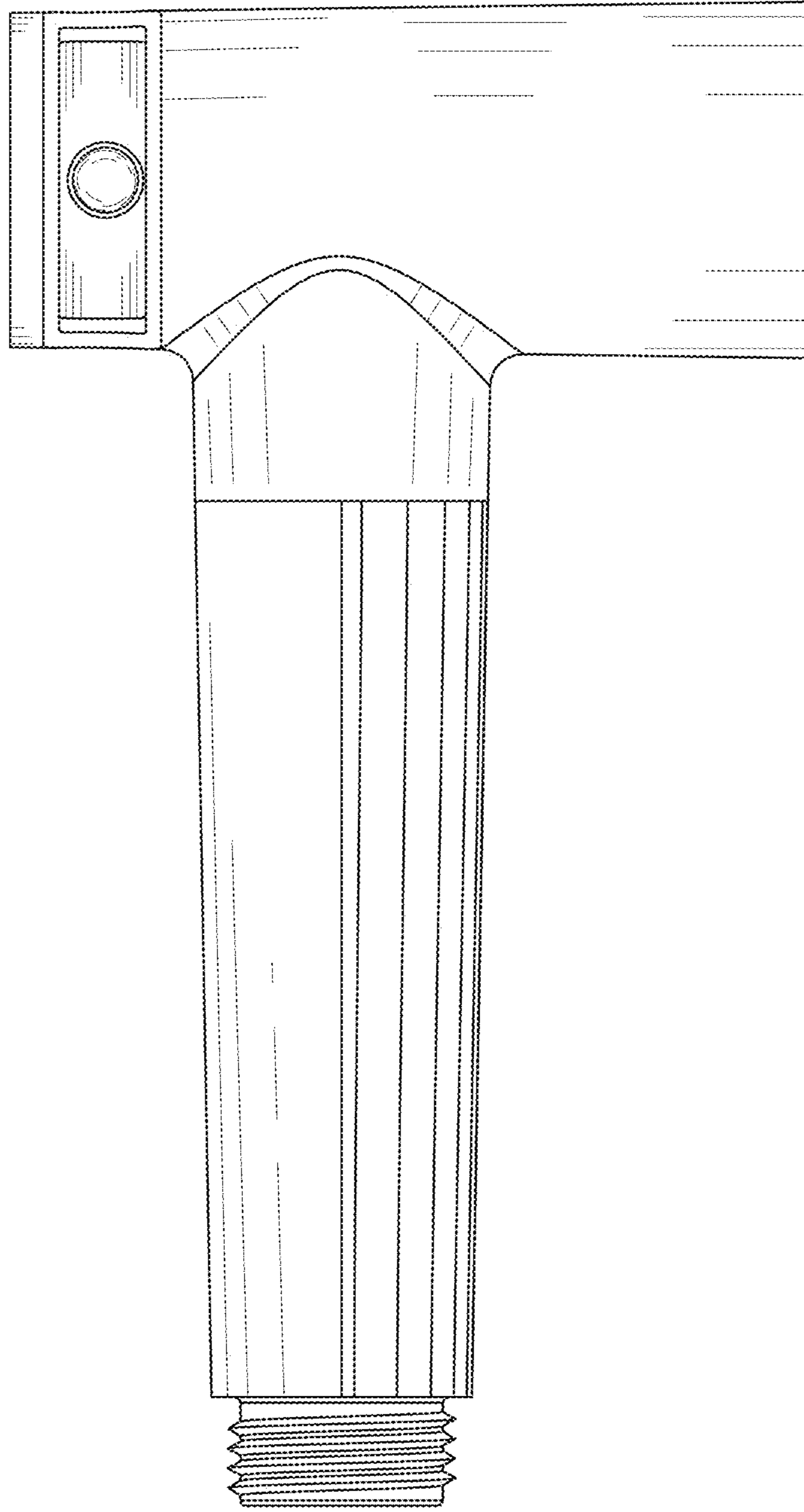


FIG 4

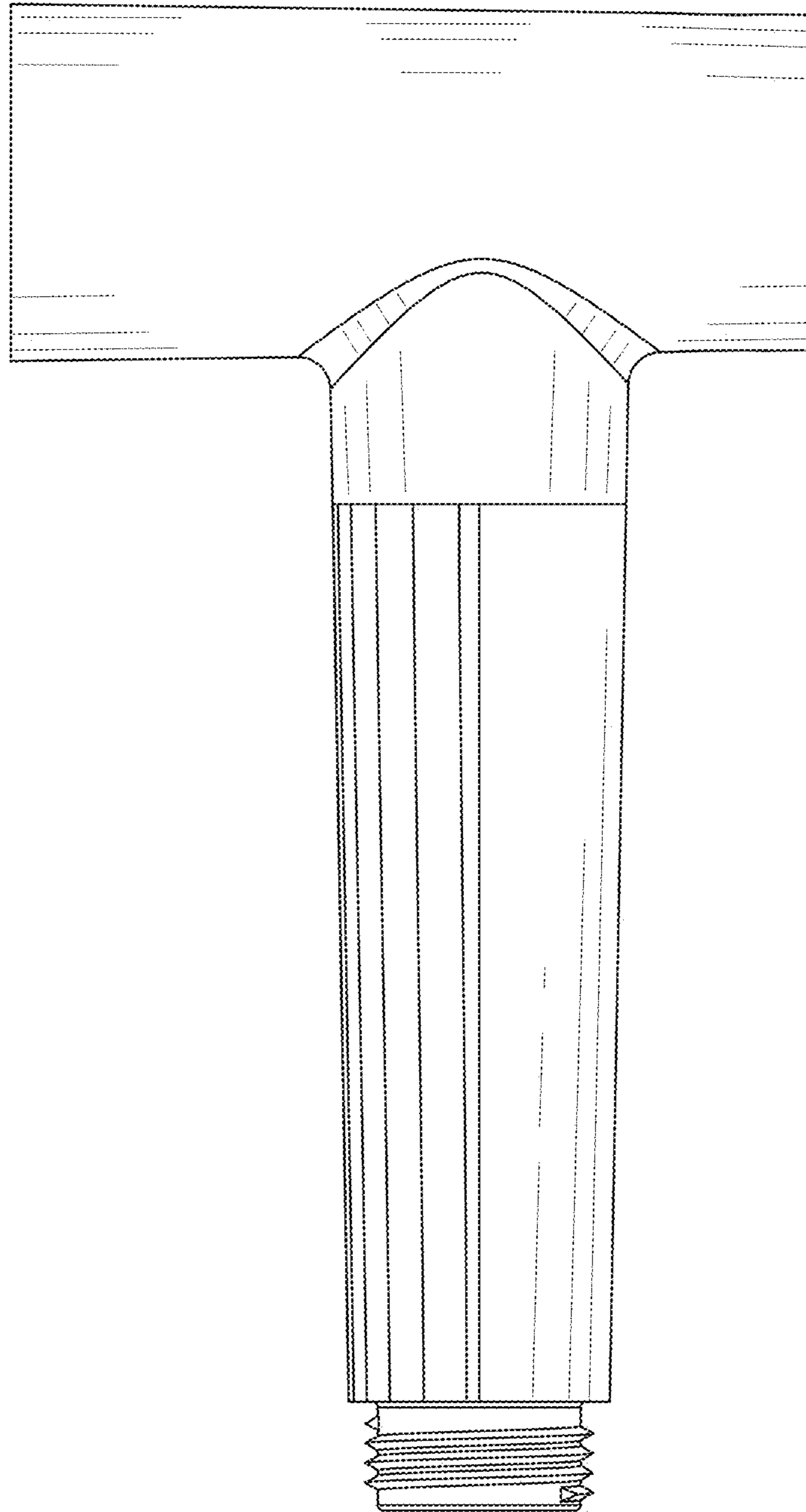


FIG 5

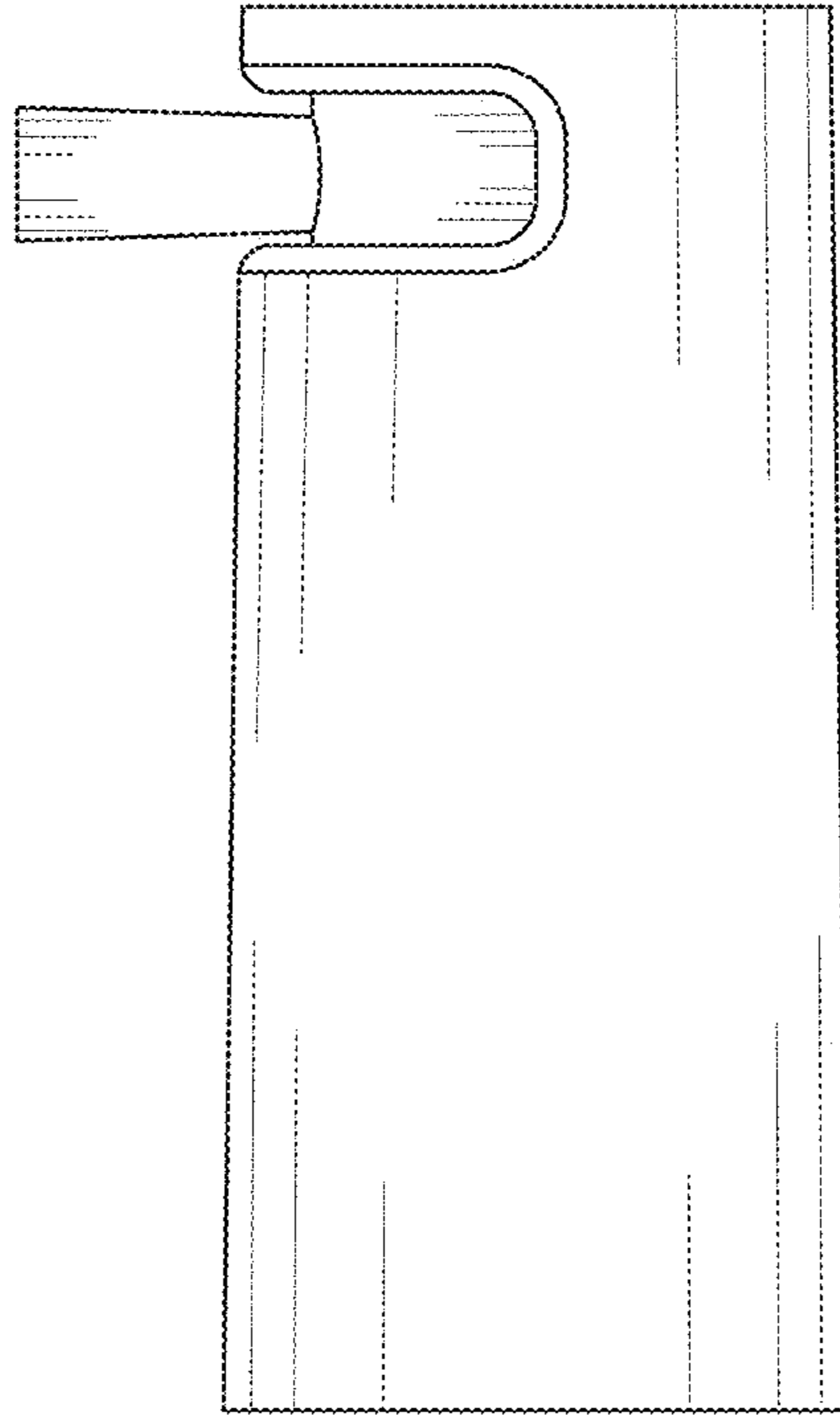


FIG 6

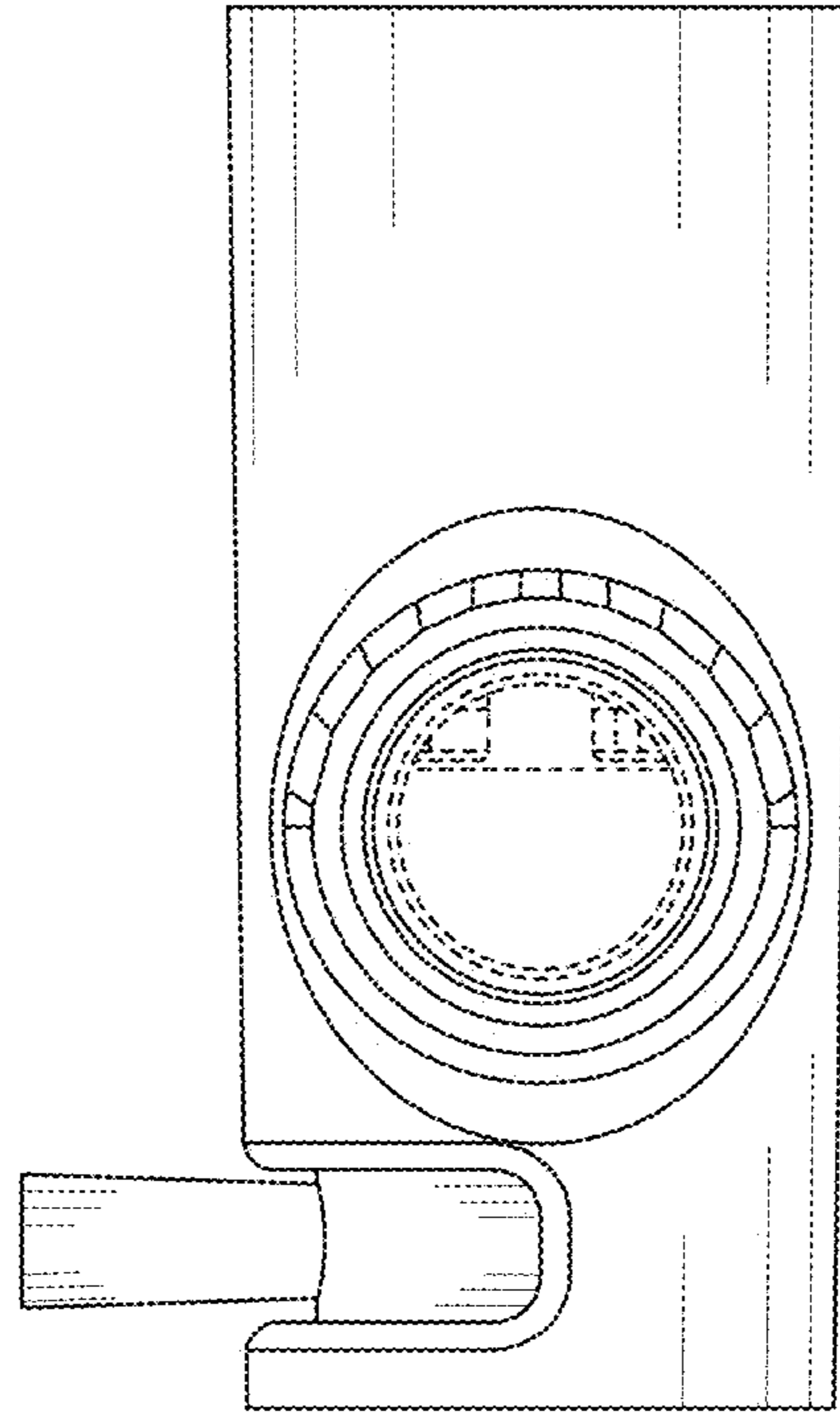


FIG 7