



US00D923748S

(12) **United States Design Patent** (10) **Patent No.:** **US D923,748 S**  
**Lo** (45) **Date of Patent:** **\*\* Jun. 29, 2021**

(54) **DRY BATTERY SPRINKLING BOTTLE**

(71) Applicant: **Chun-Ling Lo**, Taipei (TW)

(72) Inventor: **Chun-Ling Lo**, Taipei (TW)

(\*\*) Term: **15 Years**

(21) Appl. No.: **29/717,970**

(22) Filed: **Dec. 20, 2019**

(51) **LOC (13) Cl.** ..... **23-01**

(52) **U.S. Cl.**  
USPC ..... **D23/225**; D9/685; D9/692; D9/538;  
D9/553

(58) **Field of Classification Search**

USPC ..... D9/682, 684, 685, 688-692, 516, 520,  
D9/526, 529, 538, 541, 545, 546, 549,  
D9/553, 559-561, 566, 571, 555, 556,  
D9/557, 558, 569, 570, 434-436, 448,  
D9/764, 773, 776; D23/223-228, 202,  
D23/205; D8/2; D29/125, 126, 129  
CPC ..... B65D 83/14-759; B65D 1/0223; B65D  
1/12; B65D 1/14; B65D 1/16; B65D  
1/165; B65D 1/40; B65D 1/42; B65D  
1/44; B65D 79/005; B65D 79/008; B65D  
79/0081; B65D 79/0084; B65D  
2501/0018; B65D 2501/0027; B05B  
11/00-3098

See application file for complete search history.

(56) **References Cited**

**U.S. PATENT DOCUMENTS**

D16,817 S \* 7/1886 Dilworth ..... D9/532  
991,725 A \* 5/1911 Kennedy ..... B65D 83/38  
222/394  
D125,607 S \* 3/1941 Blum ..... D9/555  
D125,635 S \* 3/1941 Karstadt ..... D23/225  
D163,453 S \* 5/1951 Fuerst ..... D9/553  
D251,382 S \* 3/1979 Reed ..... D23/225  
D258,800 S \* 4/1981 Halbeisen ..... D9/685  
D314,507 S \* 2/1991 Brabeck ..... D9/553

5,092,475 A \* 3/1992 Krishnakumar ..... B65D 1/0223  
215/381  
D328,635 S \* 8/1992 Matuschek ..... D23/226  
5,178,289 A \* 1/1993 Krishnakumar ..... B65D 1/0223  
215/382  
5,238,129 A \* 8/1993 Ota ..... B65D 1/0223  
215/381  
D366,421 S \* 1/1996 Best ..... D9/542  
D403,243 S \* 12/1998 Takeuchi ..... D9/532  
D431,279 S \* 9/2000 Spriegel ..... D23/202

(Continued)

**FOREIGN PATENT DOCUMENTS**

CN 303787700 \* 8/2016  
CN 303924900 \* 11/2016

(Continued)

**OTHER PUBLICATIONS**

Centurion 1575 Quart Battery Sprayer Portable Water Mister Spray  
Bottle for Garden & Outdoor Shown on webpage: <<https://www.amazon.com/Centurion-Portable-One-Touch-Spraying-Rotation/dp/B0852YDFP2?source=ps-sl-shoppingads-lpcontext&psc=1>> [accessed  
Jan. 24, 2021] (Year: 2020).\*

(Continued)

*Primary Examiner* — Catherine A Tuttle

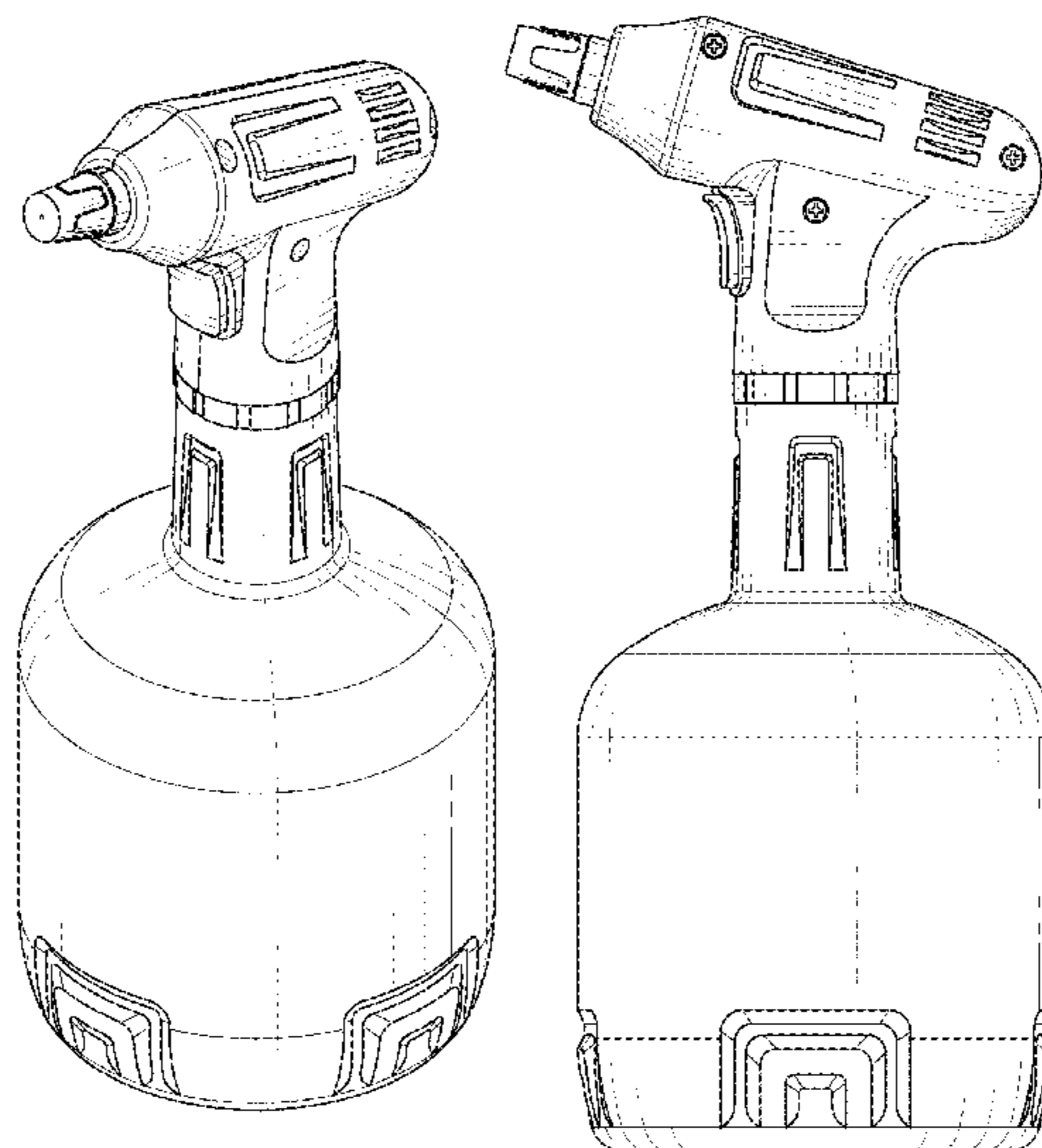
(57) **CLAIM**

The ornamental design for a dry battery sprinkling bottle, as  
shown and described.

**DESCRIPTION**

FIG. 1 is a perspective view of a dry battery sprinkling bottle  
showing my design;  
FIG. 2 is a front elevational view thereof;  
FIG. 3 is a rear elevational view thereof;  
FIG. 4 is a left side elevational view thereof;  
FIG. 5 is a right side elevational view thereof;  
FIG. 6 is a top plan view thereof; and,  
FIG. 7 is a bottom plan view thereof.

**1 Claim, 7 Drawing Sheets**



(56)

**References Cited**

U.S. PATENT DOCUMENTS

D462,608 S \* 9/2002 Sweeton ..... D9/685  
 D478,964 S \* 8/2003 Williams ..... D23/225  
 D544,354 S \* 6/2007 Lankford ..... D9/516  
 D633,176 S \* 2/2011 Blenkush ..... D23/225  
 D726,026 S \* 4/2015 Holbrook ..... D9/685  
 D735,051 S \* 7/2015 Conway ..... D9/682  
 D784,144 S \* 4/2017 Cheng ..... D9/538  
 D822,161 S \* 7/2018 Bonaventura ..... D23/225  
 2009/0078669 A1 \* 3/2009 Sakaguchi ..... B29C 71/0063  
 215/45  
 2010/0212778 A1 \* 8/2010 O'Brien ..... A47K 5/18  
 141/284  
 2013/0206762 A1 \* 8/2013 Smith ..... B65D 21/0213  
 220/214

FOREIGN PATENT DOCUMENTS

CN 304282934 \* 9/2017  
 CN 304312249 \* 10/2017  
 CN 304352593 \* 11/2017

CN 304950538 \* 12/2018  
 CN 305365380 \* 9/2019  
 CN 305514583 \* 12/2019  
 GB 2044521 \* 5/1995

OTHER PUBLICATIONS

Instapark Battery Operated Sprayer Hand Bottle for Gardening, Cleaning & Multi-Purpose Use Spraying 1-Liter Shown on webpage: <<https://www.amazon.com/Instapark-Operated-Gardening-Fertilizing-Multi-Purpose/dp/B077JCLMMF?th=1>> [Accessed Jan. 13, 2021] (Year: 2020).\*

ACG-INC Electric Plant Mister Spray Bottle shown on webpage: <<https://www.amazon.sg/ACG-INC-Electric-Adjustable-Automatic-Sterilization/dp/B07TB6B89H>> Product availability date: Jun. 18, 19 [Accessed Jan. 13, 2021] (Year: 2020).\*

Automatic Electric Spray Bottle shown on webpage: <<https://www.amazon.sg/Automatic-Rechargeable-Multi-Purpose-Gardening-Fertilizing/dp/B082F9SWZC>> Product availability date: Dec. 6, 19 [Accessed Jan. 13, 2021] (Year: 2020).\*

\* cited by examiner

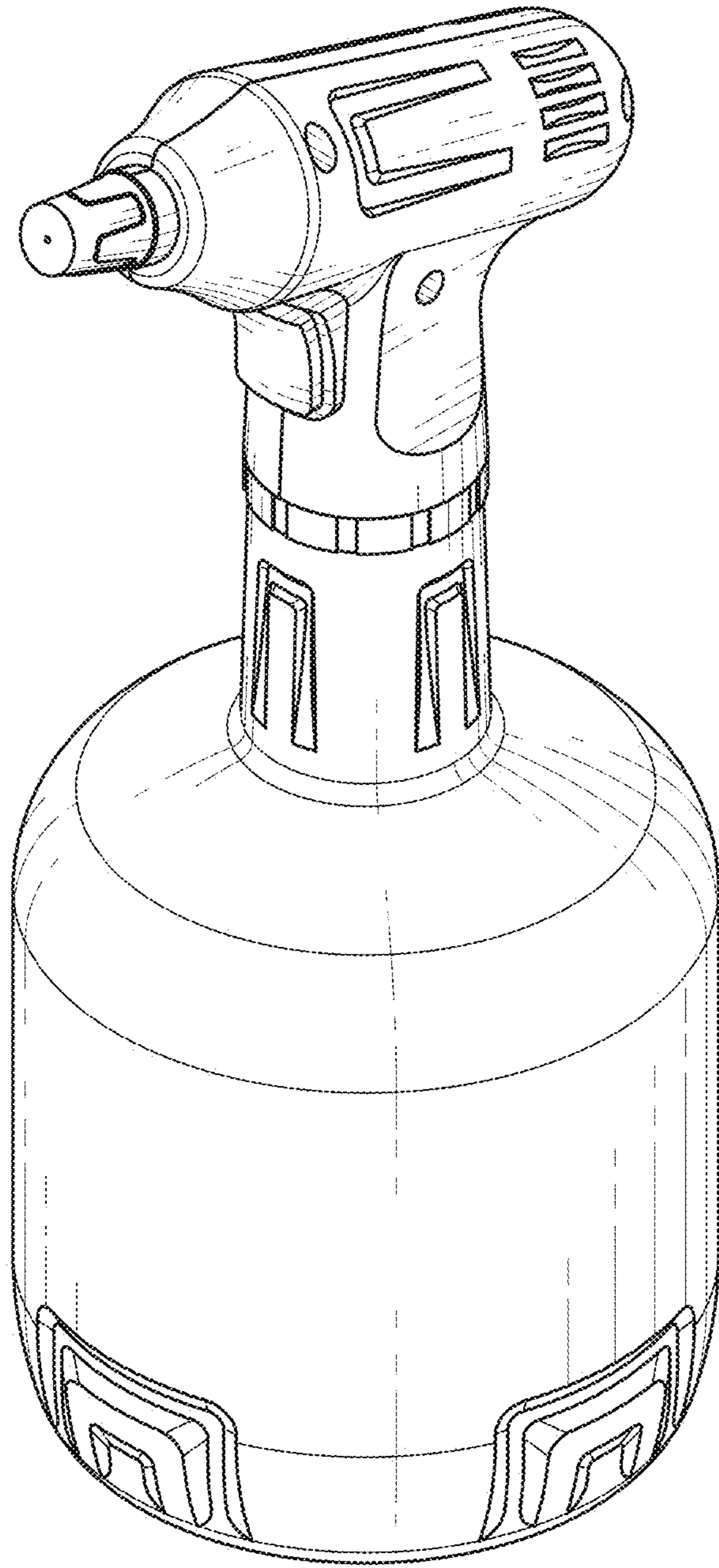


FIG. 1

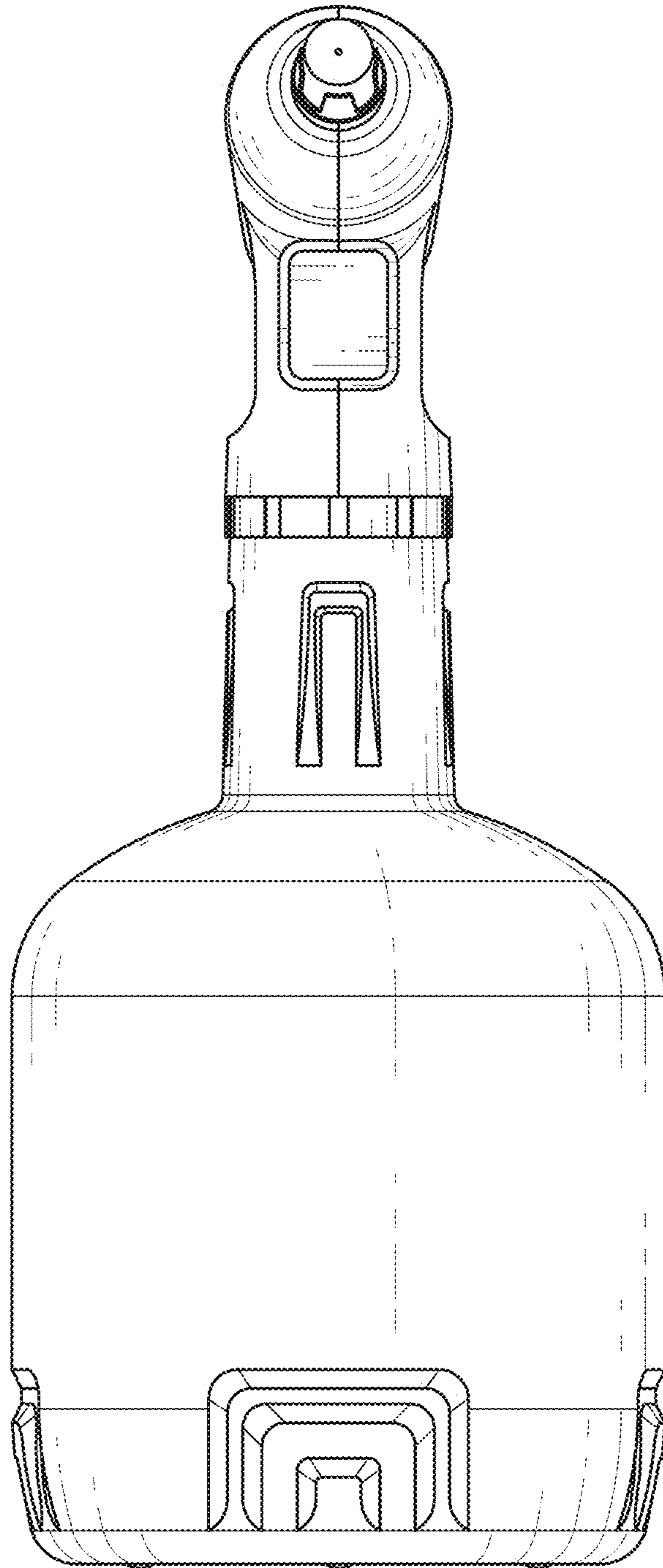


FIG. 2



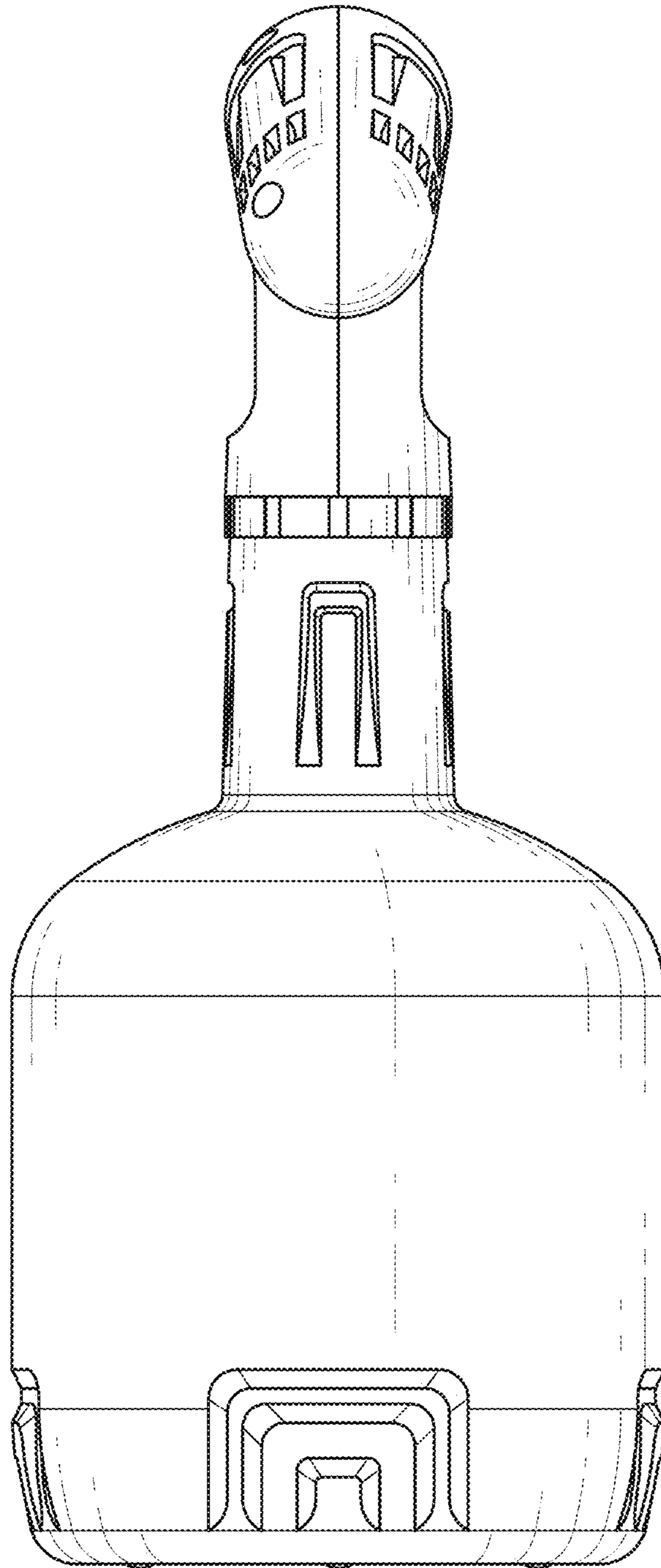


FIG. 3

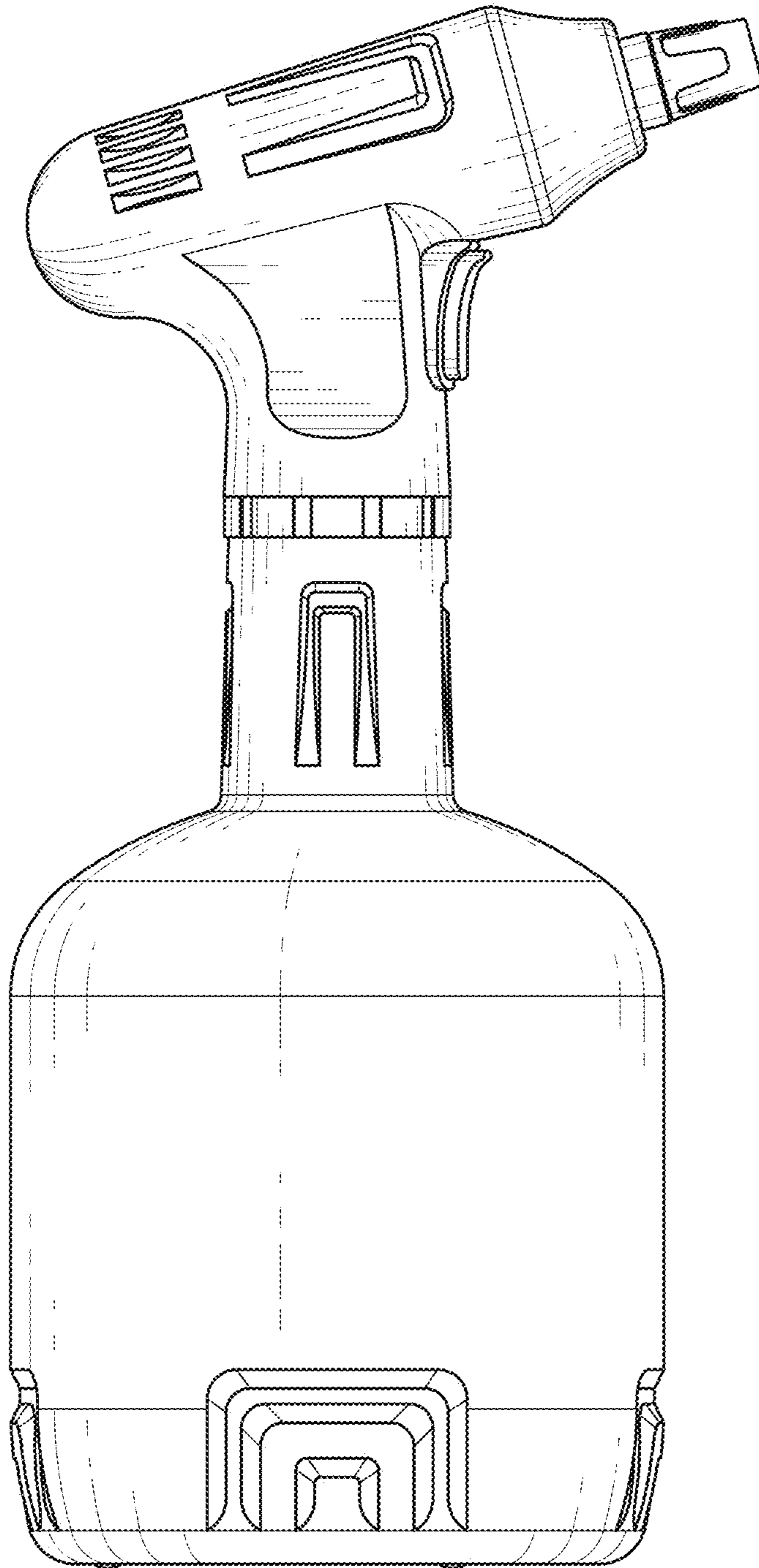


FIG. 4

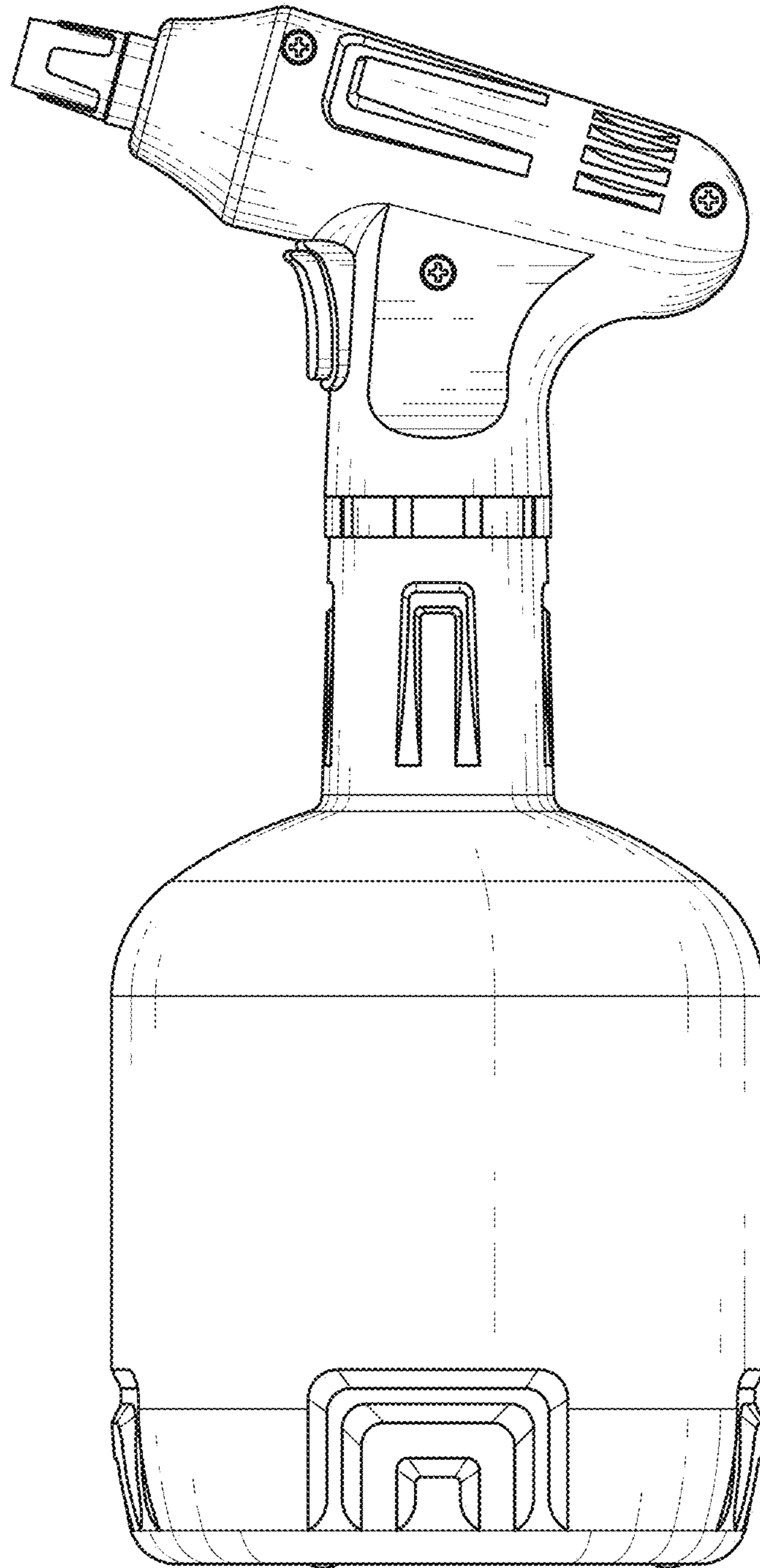


FIG. 5

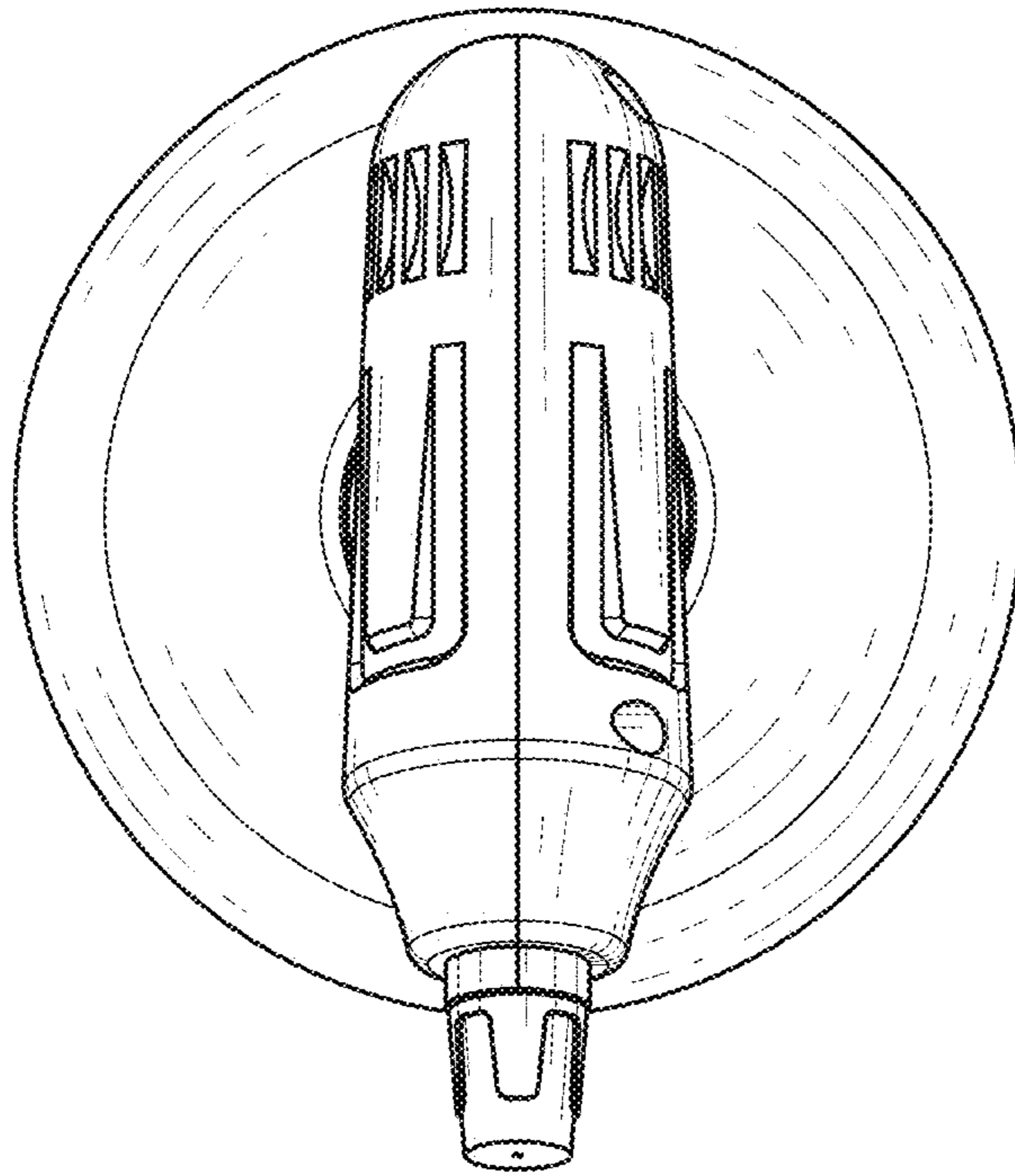


FIG. 6



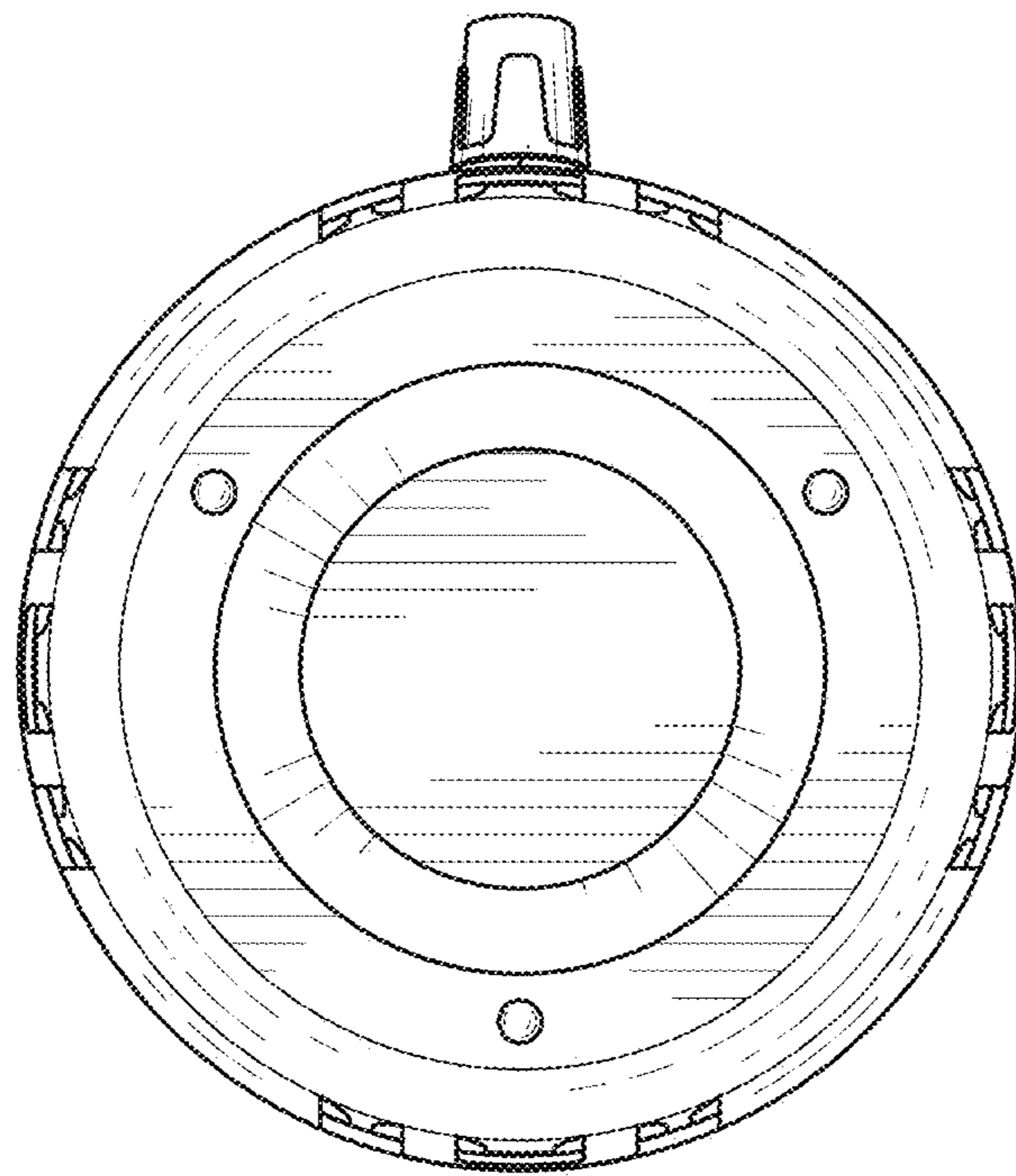


FIG. 7