



US00D923746S

(12) **United States Design Patent**
Svendsen et al.

(10) **Patent No.:** **US D923,746 S**

(45) **Date of Patent:** **** Jun. 29, 2021**

(54) **NOZZLE**

(71) Applicant: **MELNOR, INC.**, Winchester, VA (US)

(72) Inventors: **Sean Wesley Svendsen**, Columbus, OH (US); **Donald Collins Meves**, Columbus, OH (US); **Eric James Fickas**, Plain City, OH (US)

(73) Assignee: **Melnor, Inc.**, Winchester, VA (US)

(**) Term: **15 Years**

(21) Appl. No.: **29/718,881**

(22) Filed: **Dec. 30, 2019**

Related U.S. Application Data

(62) Division of application No. 29/670,344, filed on Nov. 15, 2018, now Pat. No. Des. 875,211, which is a division of application No. 29/598,179, filed on Mar. 23, 2017, now Pat. No. Des. 838,341.

(51) **LOC (13) Cl.** **23-01**

(52) **U.S. Cl.**
USPC **D23/223**

(58) **Field of Classification Search**
USPC D23/226, 213, 223, 224
CPC B05B 1/12
See application file for complete search history.

(56) **References Cited**

U.S. PATENT DOCUMENTS

2,376,881	A *	5/1945	Nielsen	A62C 31/02
					239/441
3,150,829	A *	9/1964	Specht	B05B 1/12
					239/107
3,820,716	A *	6/1974	Bauer	B05B 7/0425
					239/589.1
4,903,897	A *	2/1990	Hayes	B05B 1/1654
					239/394
D314,609	S *	2/1991	Liaw	D23/226

D325,620	S *	4/1992	Heren	D23/223
D338,706	S *	8/1993	Wang	D23/223
D340,762	S *	10/1993	Wang	D23/226
D355,953	S	2/1995	Wang		
D358,450	S *	5/1995	Casey	D23/223
D359,101	S *	6/1995	Kuo	D23/223

(Continued)

FOREIGN PATENT DOCUMENTS

CN 102553757 * 7/2012

OTHER PUBLICATIONS

HOMEME 9 Pattern Garden Watering Nozzle With Garden Hose Connections Kit, posted to amazon.com. Available date: Oct. 23, 2016 [site visited Apr. 16, 2021] Available: <<https://www.amazon.co.uk/Homeme-Pattern-Garden-Watering-Connections/dp/B01M67U3D9>> (Year: 2016).*

Primary Examiner — Kevin K Rudzinski

(74) *Attorney, Agent, or Firm* — HEA Law PLLC; Darrin A. Auito

(57) **CLAIM**

The ornamental design for a nozzle, as shown and described.

DESCRIPTION

FIG. 1 is a rear perspective view of a nozzle, showing our new design;

FIG. 2 is a front elevational view thereof;

FIG. 3 is a rear elevational view thereof;

FIG. 4 is a right side elevational view thereof;

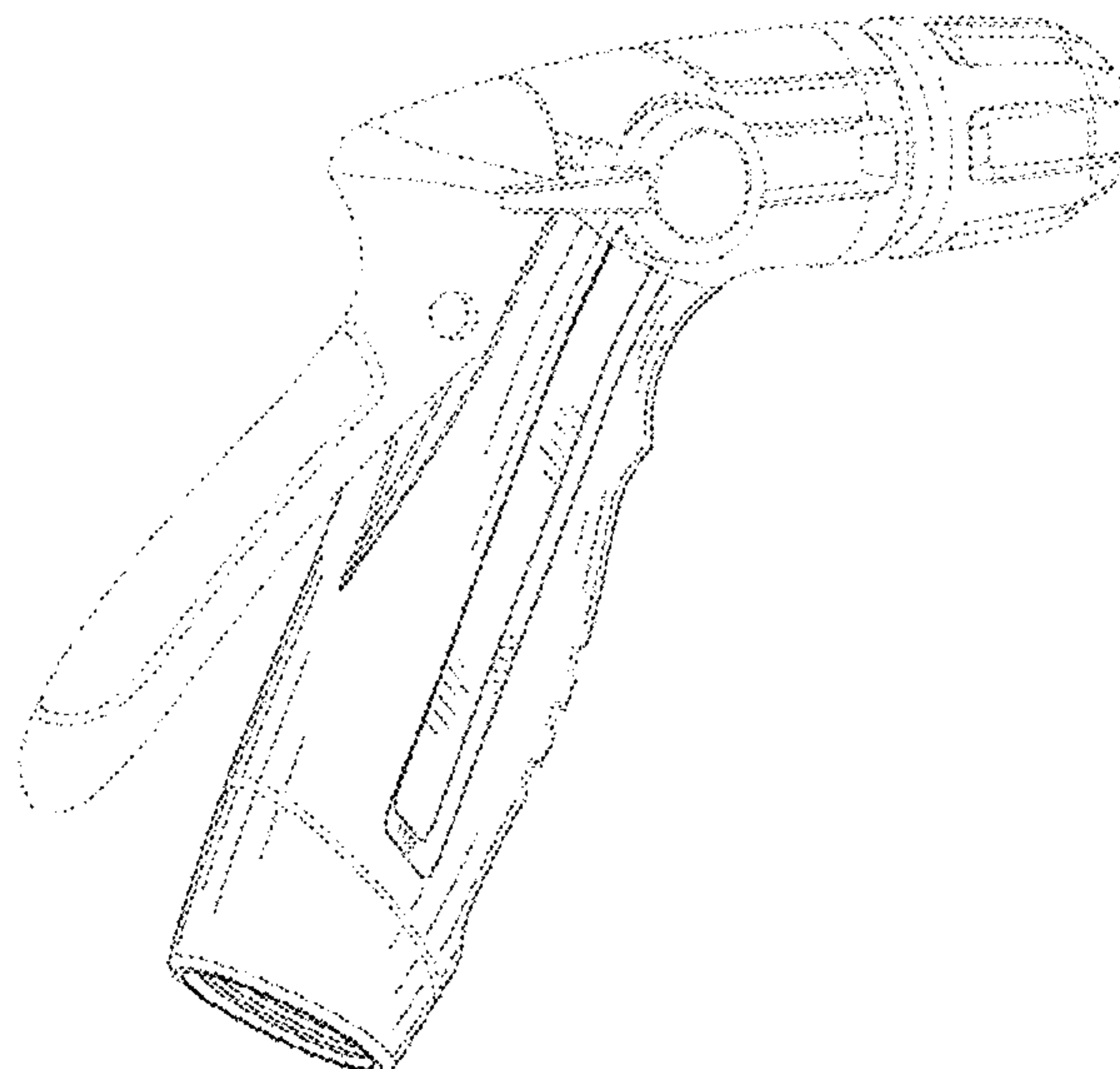
FIG. 5 is a left side elevational view thereof;

FIG. 6 is a top plan view thereof; and,

FIG. 7 is a bottom plan view thereof.

The broken line showing of portions of the nozzle is for the purpose of illustrating environmental structure and forms no part of the claimed design. The dot-dash broken lines are boundary lines and form no part of the claimed design.

1 Claim, 5 Drawing Sheets



(56)

References Cited

U.S. PATENT DOCUMENTS

D369,853	S *	5/1996	Wang	D23/223	D614,729	S *	4/2010	Cheng	D23/223
D370,713	S *	6/1996	Guo	D23/223	D650,042	S *	12/2011	Nies	D23/223
D372,297	S *	7/1996	Wang	D23/223	D650,043	S *	12/2011	Nies	D23/223
D373,813	S *	9/1996	Guo	D23/223	D650,044	S *	12/2011	Nies	D23/223
D373,814	S *	9/1996	Wang	D23/223	D650,045	S *	12/2011	Nies	D23/223
D387,128	S *	12/1997	Wang	D23/223	D677,362	S *	3/2013	Christopher	D23/223
5,806,770	A *	9/1998	Wang	B05B 1/1681 239/391	D678,980	S	3/2013	Nies et al.	
D408,496	S	4/1999	Wang		D681,777	S *	5/2013	Nies	D23/226
D408,497	S	4/1999	Wang		D681,778	S *	5/2013	Nies	D23/226
D408,890	S *	4/1999	Wang	D23/226	8,496,190	B2 *	7/2013	Chen	B05B 1/3026 239/394
D409,720	S	5/1999	Guo		D694,360	S *	11/2013	Gaetano	D23/223
D415,557	S *	10/1999	Kuo	D23/226	D702,319	S *	4/2014	Mammen	D23/223
D417,256	S *	11/1999	Kuo	D23/226	D704,801	S *	5/2014	Chen	D23/223
D422,054	S *	3/2000	Hsin-Fa	D23/226	D705,898	S *	5/2014	Chen	D23/223
D422,339	S *	4/2000	Ericksen	D23/226	D714,423	S	9/2014	Mammen et al.	
D431,069	S	9/2000	Heren		D714,908	S *	10/2014	Mammen	D23/226
D431,280	S	9/2000	Kuo		D726,872	S *	4/2015	Thurgood	D23/223
D446,282	S *	8/2001	Wang	D23/226	9,073,075	B2 *	7/2015	Chen	B05B 1/3026
D446,283	S *	8/2001	Wang	D23/226	D736,349	S *	8/2015	Wojan	D23/223
D447,217	S *	8/2001	Jacobs	D23/226	D736,350	S *	8/2015	Cheng	D23/226
D447,539	S *	9/2001	Tse	D23/226	D746,945	S *	1/2016	Naslund	D23/223
D447,790	S *	9/2001	Heren	D23/226	D746,946	S *	1/2016	Naslund	D23/223
D451,981	S *	12/2001	Ericksen	D23/226	D746,947	S *	1/2016	Naslund	D23/223
D451,982	S *	12/2001	Chao	D23/226	D748,758	S	2/2016	Duong et al.	
D454,619	S	3/2002	Wang		D749,696	S *	2/2016	Thurgood	D23/223
D461,227	S	8/2002	Guo		9,427,760	B2 *	8/2016	Chiu	B05B 15/652
D467,993	S *	12/2002	Chen	D23/226	D766,400	S	9/2016	Chen	
D468,396	S *	1/2003	Chen	D23/226	D767,091	S *	9/2016	Chen	D23/223
D468,802	S *	1/2003	Nien	D23/226	D767,094	S *	9/2016	Chen	D23/223
D475,122	S	5/2003	Kuo		D767,096	S *	9/2016	Chen	D23/226
D475,435	S *	6/2003	Chen	D23/223	D768,817	S *	10/2016	Chen	D23/223
D475,762	S	6/2003	Kuo		D769,415	S	10/2016	Chen	
D475,763	S	6/2003	Kuo		D770,017	S	10/2016	Chen	
6,644,625	B1	11/2003	Jacobs et al.		D771,773	S *	11/2016	Chen	D23/223
D484,947	S *	1/2004	Chen	D23/226	D771,774	S *	11/2016	Chen	D23/223
D501,537	S *	2/2005	Zeng	D23/226	D771,775	S *	11/2016	Chen	D23/223
D502,533	S *	3/2005	Chen	D23/223	D774,164	S	12/2016	Chen	
D517,645	S	3/2006	Chang		D779,035	S *	2/2017	Chen	D23/223
D522,088	S *	5/2006	Roman	D23/223	D779,036	S *	2/2017	Chen	D23/223
7,124,965	B1 *	10/2006	Chen	A62C 31/02 239/525	D779,040	S	2/2017	Chen	
D534,240	S *	12/2006	Wang	D23/226	D779,041	S	2/2017	Chen	
D534,241	S *	12/2006	Wang	D23/226	D779,634	S	2/2017	Chen	
D548,392	S *	8/2007	Lo	D23/226	D780,293	S	2/2017	Chen	
7,258,285	B1 *	8/2007	Combs	A62C 31/03 239/546	D780,294	S *	2/2017	Chen	D23/226
D553,712	S *	10/2007	Chih	D23/226	D782,005	S *	3/2017	Naslund	D23/223
D553,713	S *	10/2007	Chih	D23/226	D782,007	S *	3/2017	Naslund	D23/226
D554,231	S *	10/2007	Chih	D23/213	D782,008	S *	3/2017	Naslund	D23/226
D554,233	S *	10/2007	Chih		D783,123	S	4/2017	Chen	
D557,767	S *	12/2007	Chih	D23/226	D783,125	S	4/2017	Chen	
D557,769	S	12/2007	Chih		D792,555	S *	7/2017	Hung	D23/223
D558,302	S *	12/2007	Chih	D23/226	D792,944	S *	7/2017	Cheng	D23/224
D558,858	S *	1/2008	Chih	D23/226	D792,945	S *	7/2017	Cheng	D23/224
D559,353	S *	1/2008	Chih	D23/226	D792,947	S *	7/2017	Hung	D23/226
D559,354	S *	1/2008	Chih	D23/226	D799,001	S *	10/2017	Gooden	D23/213
D559,355	S *	1/2008	Chih	D23/226	D799,002	S *	10/2017	Gooden	D23/213
D564,065	S *	3/2008	Yu	D23/223	D799,007	S *	10/2017	Cheng	D23/223
D569,478	S *	5/2008	Cichy	D23/223	D800,254	S	10/2017	Chen	
D584,380	S *	1/2009	Cheng	D23/223	D800,255	S	10/2017	Chen	
D584,381	S *	1/2009	Hung	D23/223	D802,092	S *	11/2017	Naslund	D23/223
D584,794	S *	1/2009	Lo	D23/223	D824,486	S *	7/2018	Urry	D23/223
D585,107	S *	1/2009	Lo	D23/223	D824,487	S *	7/2018	Montoya	D23/223
D585,108	S *	1/2009	Cheng	D23/223	D824,488	S	7/2018	Montoya et al.	
D585,109	S *	1/2009	Cheng	D23/223	D824,489	S	7/2018	Montoya et al.	
D585,958	S *	2/2009	Cheng	D23/223	D824,490	S *	7/2018	Montoya	D23/223
D599,433	S *	9/2009	Zore	D23/223	D824,491	S *	7/2018	Montoya	D23/223
D599,884	S	9/2009	Zore		D825,716	S *	8/2018	Helmsderfer	D23/223
D604,389	S *	11/2009	Cheng	D23/223	D838,340	S *	1/2019	Svendsen	D23/223
D604,390	S *	11/2009	Cheng	D23/223	D838,341	S	1/2019	Svendsen et al.	
D604,395	S *	11/2009	Zore	D23/226	D838,809	S *	1/2019	Svendsen	D23/223
D605,251	S	12/2009	Zore		D839,384	S *	1/2019	Svendsen	D23/213
D606,625	S	12/2009	Zore		D839,992	S	2/2019	Svendsen et al.	
D606,626	S *	12/2009	Zore	D23/226	D846,074	S	4/2019	Pease et al.	
					D846,695	S *	4/2019	Pease	D23/223
					D849,889	S *	5/2019	Pease	D23/226
					D851,209	S *	6/2019	Cheng	D23/223
					10,610,879	B2 *	4/2020	Duong	B05B 1/1654
					D914,137	S *	3/2021	Chen	D23/226

(56)

References Cited

U.S. PATENT DOCUMENTS

2005/0237742 A1* 10/2005 Wang B05B 15/00
362/253
2007/0095944 A1* 5/2007 Chih B05B 15/628
239/394
2008/0245900 A1* 10/2008 Chih B05B 1/3013
239/526
2011/0180636 A1* 7/2011 Cheng B05B 1/3026
239/600
2013/0015271 A1* 1/2013 Chen B05B 1/3013
239/526
2016/0263593 A1* 9/2016 Keim B05B 1/30

* cited by examiner

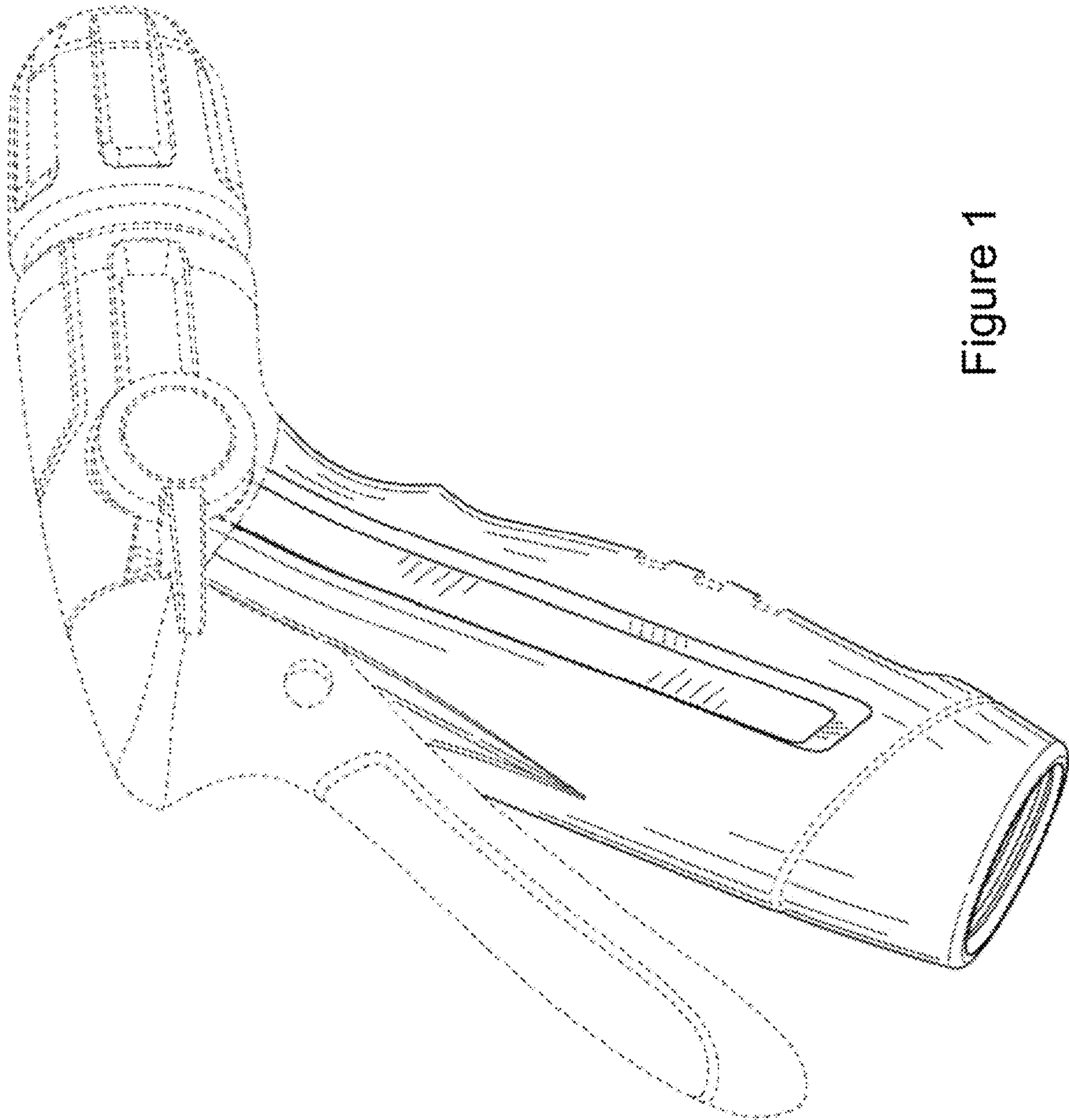


Figure 1

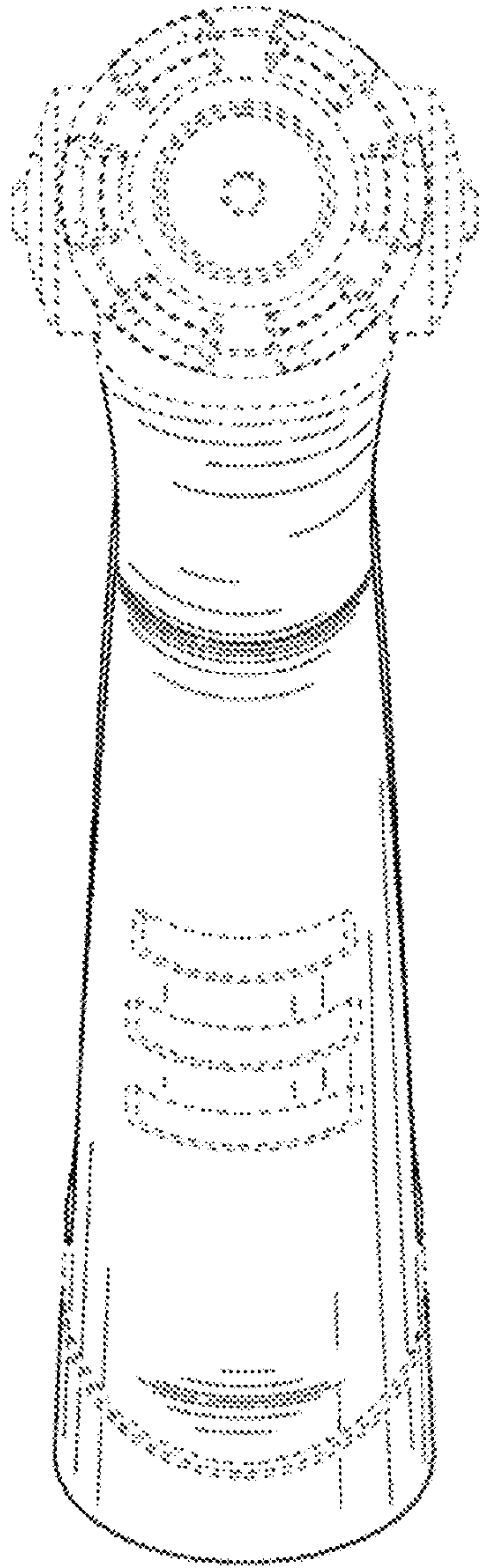


Figure 2

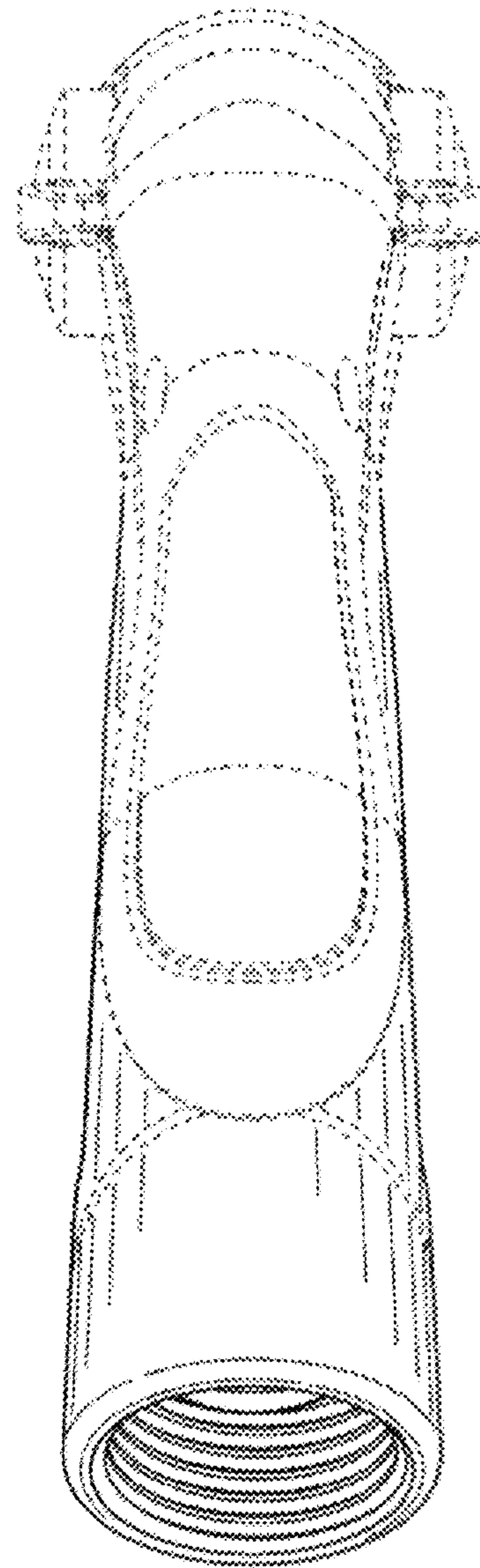


Figure 3

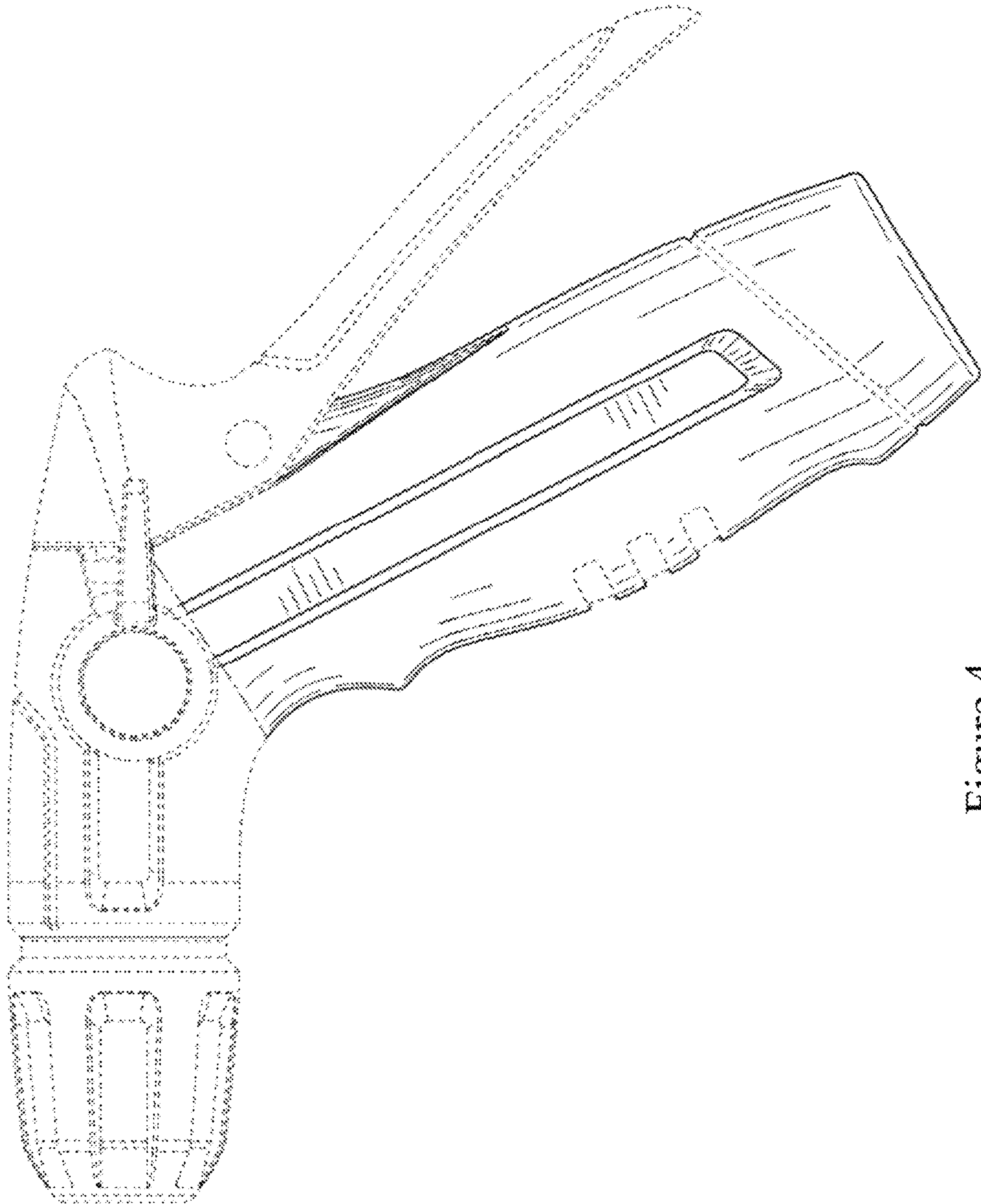


Figure 4

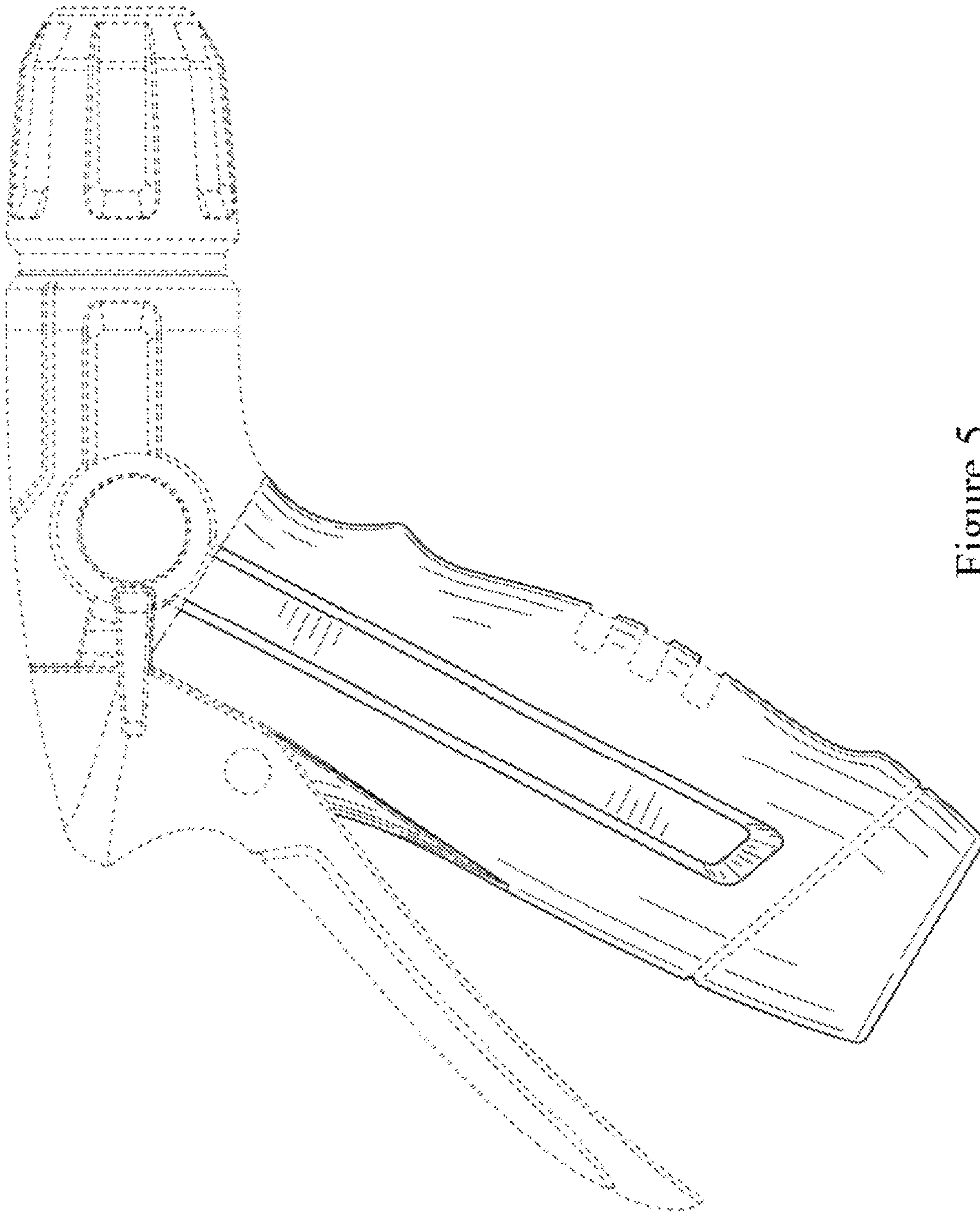


Figure 5

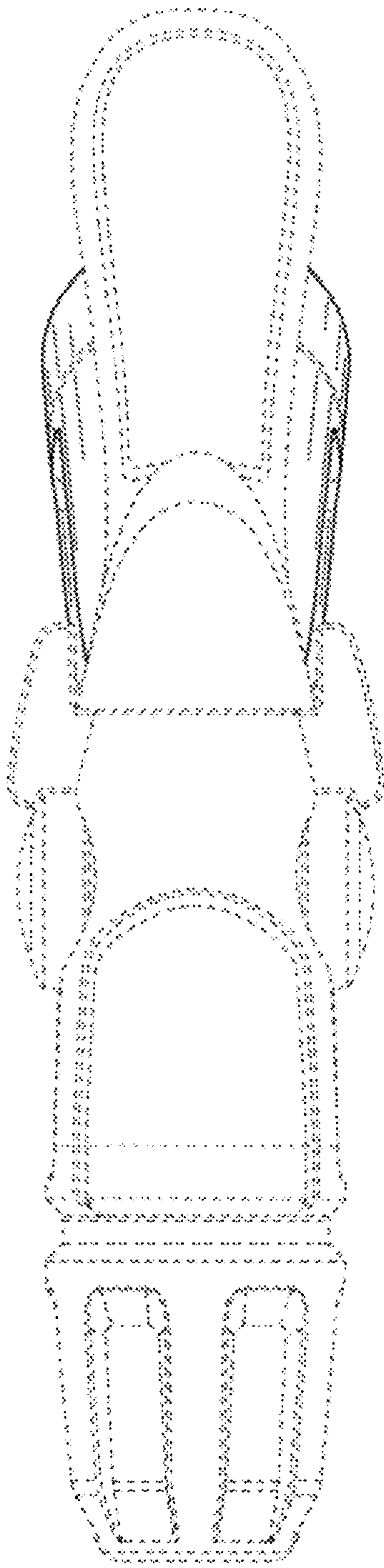


Figure 6

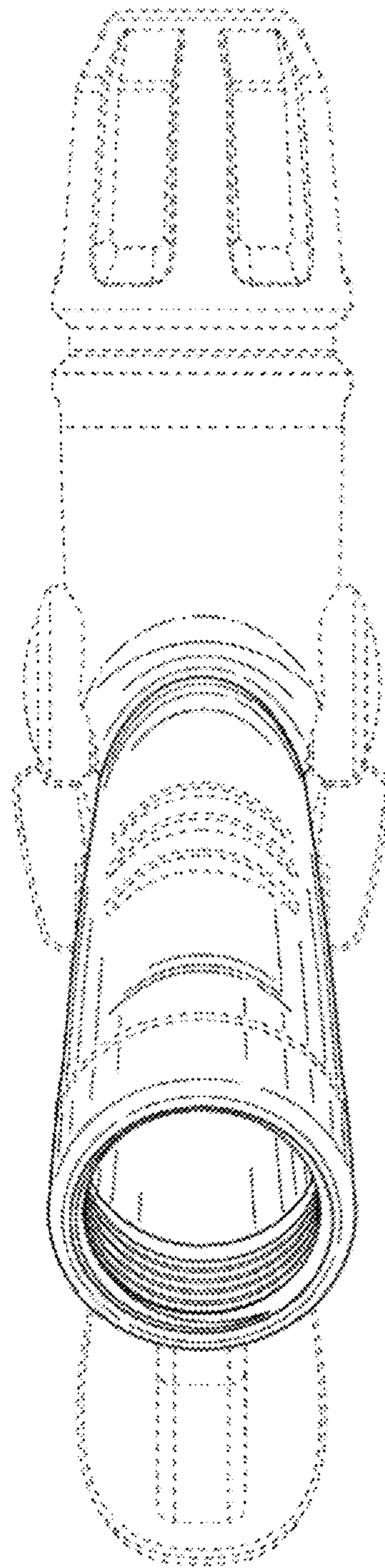


Figure 7