



US00D923745S

(12) **United States Design Patent**  
**Govrin**

(10) **Patent No.:** **US D923,745 S**  
(45) **Date of Patent:** **\*\* Jun. 29, 2021**

(54) **IRRIGATION HOLDER**

FOREIGN PATENT DOCUMENTS

(71) Applicant: **Netafim, Ltd.**, Tel Aviv (IL)

GB 2579106 A \* 6/2020 ..... B05B 1/185

(72) Inventor: **Erez Govrin**, Kibbutz Magal (IL)

OTHER PUBLICATIONS

(73) Assignee: **Netafim, Ltd.**, Tel Aviv (IL)

Garden Bloom 70003BL Plastic O Ring Sprinkler, Oct. 17, 2020, Amazon.com, Apr. 30, 2021. URL: <https://www.amazon.com/Garden-Bloom-70003BL-Sprinkler-Assorted/dp/B07ZMV1SYY> (Year: 2020).\*

(\*\*) Term: **15 Years**

\* cited by examiner

(21) Appl. No.: **29/709,373**

(22) Filed: **Oct. 14, 2019**

*Primary Examiner* — Jack Reickel

*Assistant Examiner* — Keith J Wilson

(51) **LOC (13) Cl.** ..... **23-01**

(74) *Attorney, Agent, or Firm* — Womble Bond Dickinson (US) LLP

(52) **U.S. Cl.**

USPC ..... **D23/214**

(58) **Field of Classification Search**

USPC ..... D23/213, 214, 215, 223, 224, 226, 229  
CPC ..... A61H 9/0021; A61H 33/00; B05B 1/00;  
B05B 1/14; B05B 1/185; B05B 1/08;  
B05B 1/02; B05B 1/26; B05B 12/002;  
B05B 1/18; B05B 9/01

See application file for complete search history.

(57) **CLAIM**

I claim the design for an irrigation holder, as shown and described.

**DESCRIPTION**

FIG. 1 is a top, right perspective view of my design;  
FIG. 2 is a top view of my design;  
FIG. 3 is a bottom view of my design;  
FIG. 4 is a front view of my design;  
FIG. 5 is a rear view of my design;  
FIG. 6 is a right side view of my design;  
FIG. 7 is a left side view of my design;  
FIG. 8 is a bottom perspective view of my design; and,  
FIG. 9 is an enlargement of the indicated area of detail of FIG. 8.

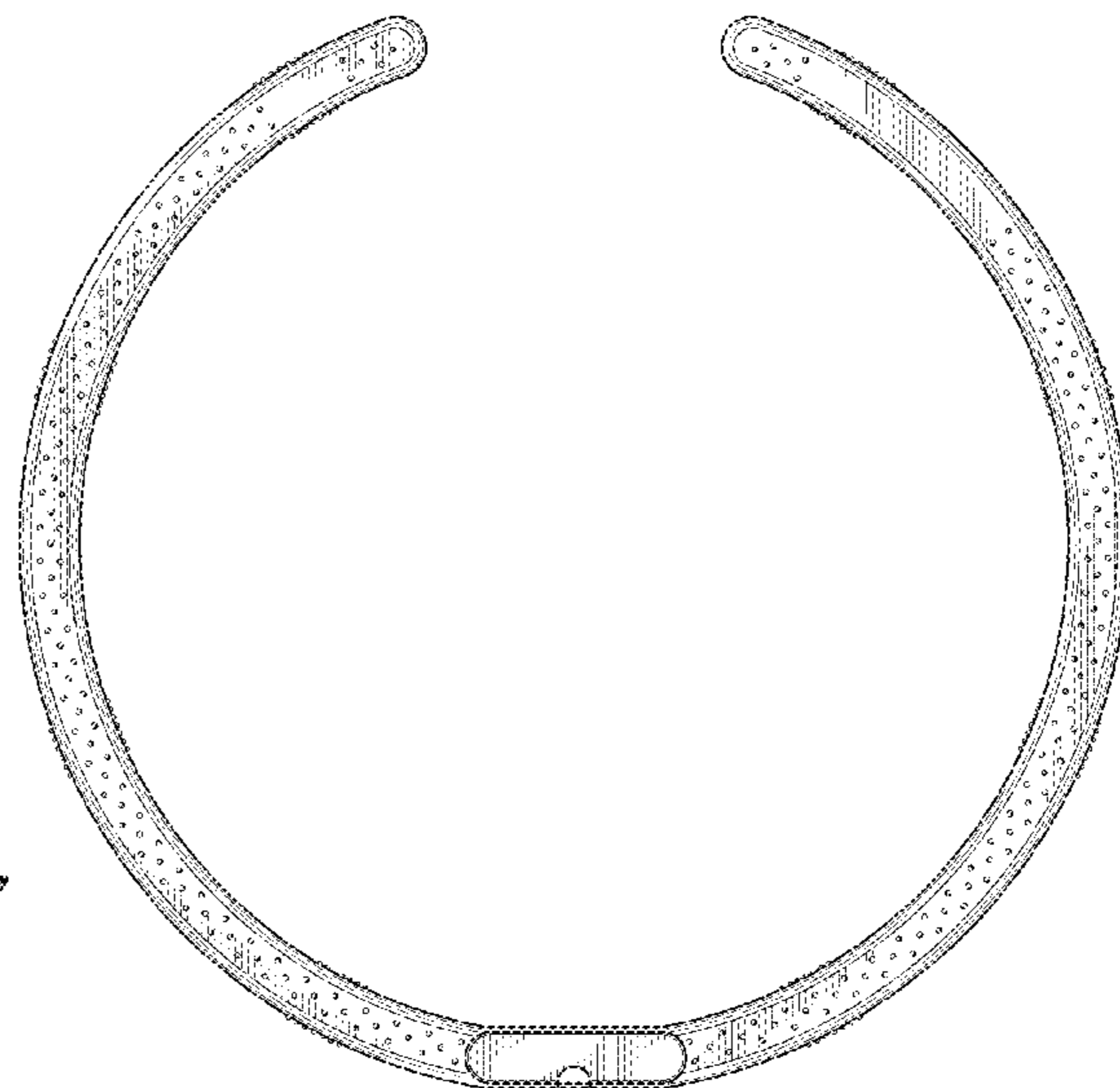
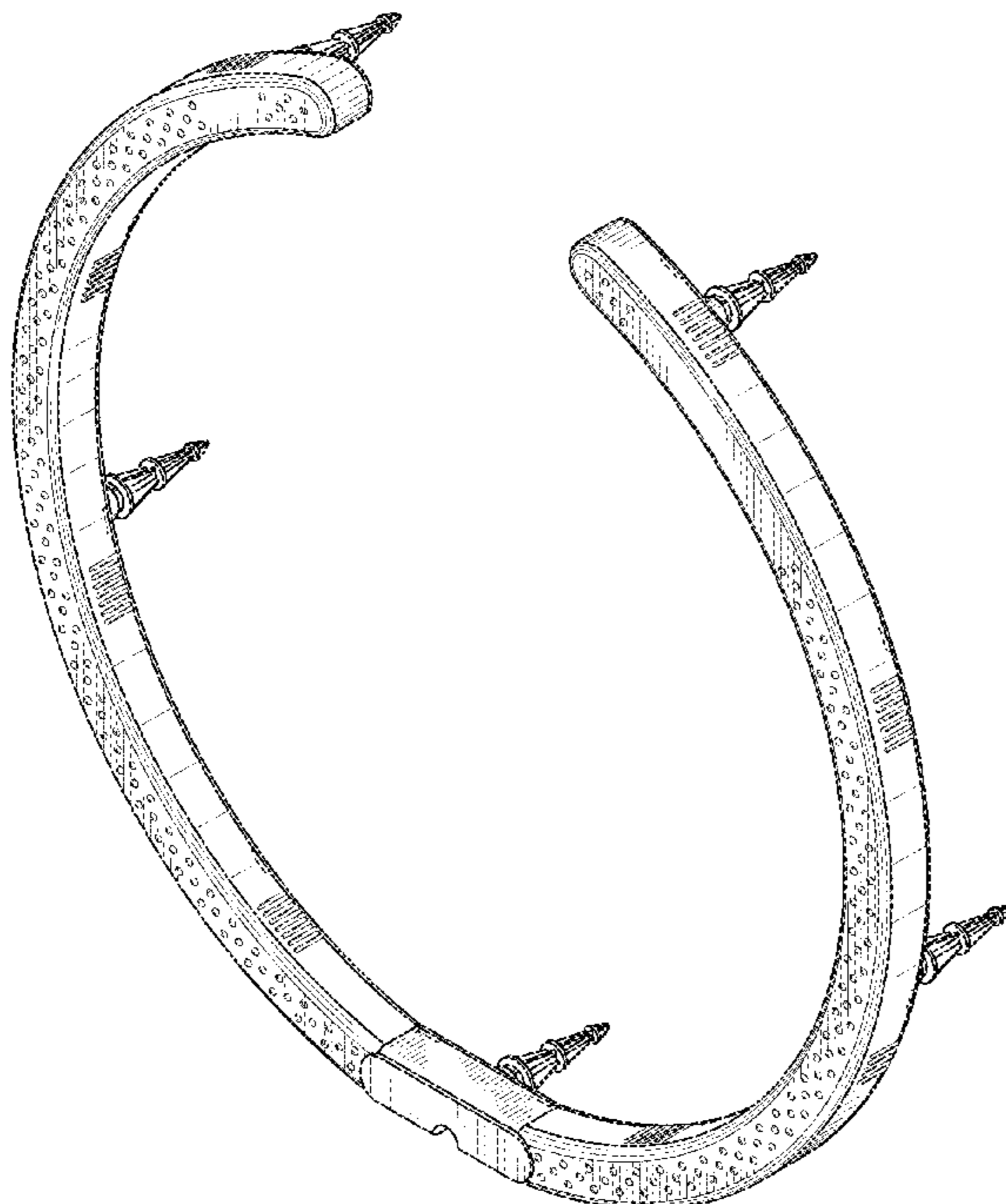
Elements in the figures shown in dash-dash lines represent portions of an irrigation holder and form no part of the claimed design.

(56) **References Cited**

U.S. PATENT DOCUMENTS

D383,883 S *	9/1997	Langley	.....	D23/214
D419,639 S *	1/2000	Ormiston	.....	D23/214
D481,103 S *	10/2003	West	.....	D23/214
D488,208 S *	4/2004	Cook	.....	D23/214
D687,514 S *	8/2013	Burnell	.....	D23/214
9,138,757 B2 *	9/2015	McLarty	.....	A01G 25/02
9,999,894 B2 *	6/2018	Beckett	.....	B05B 1/3026
D825,290 S *	8/2018	Lortscher	.....	D8/1
D912,203 S *	3/2021	Andersen	.....	D23/213
2020/0206755 A1 *	7/2020	Wu	.....	B05B 1/185
2020/0246811 A1 *	8/2020	Medeiros	.....	B05B 1/18

**1 Claim, 7 Drawing Sheets**



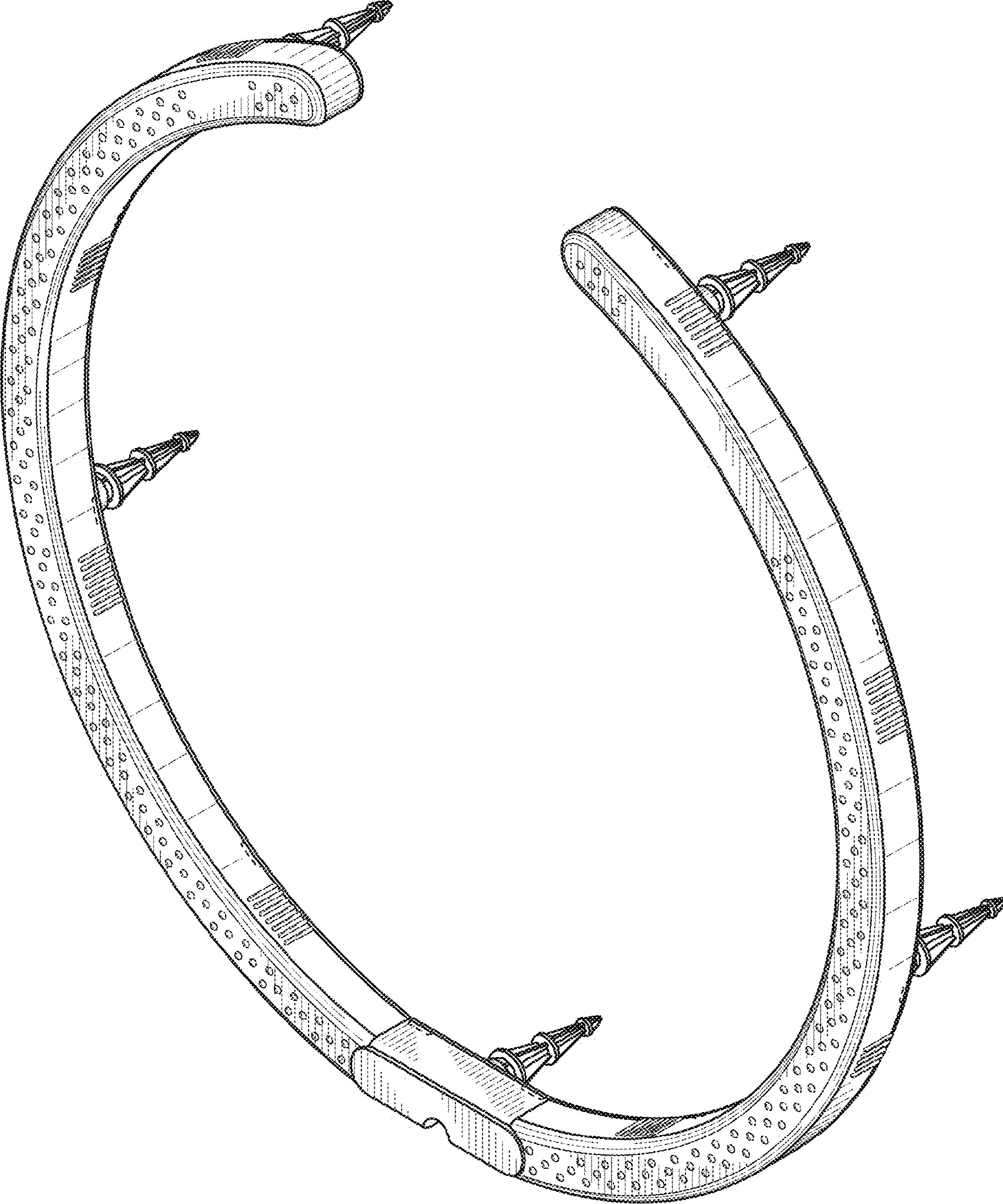


FIG. 1

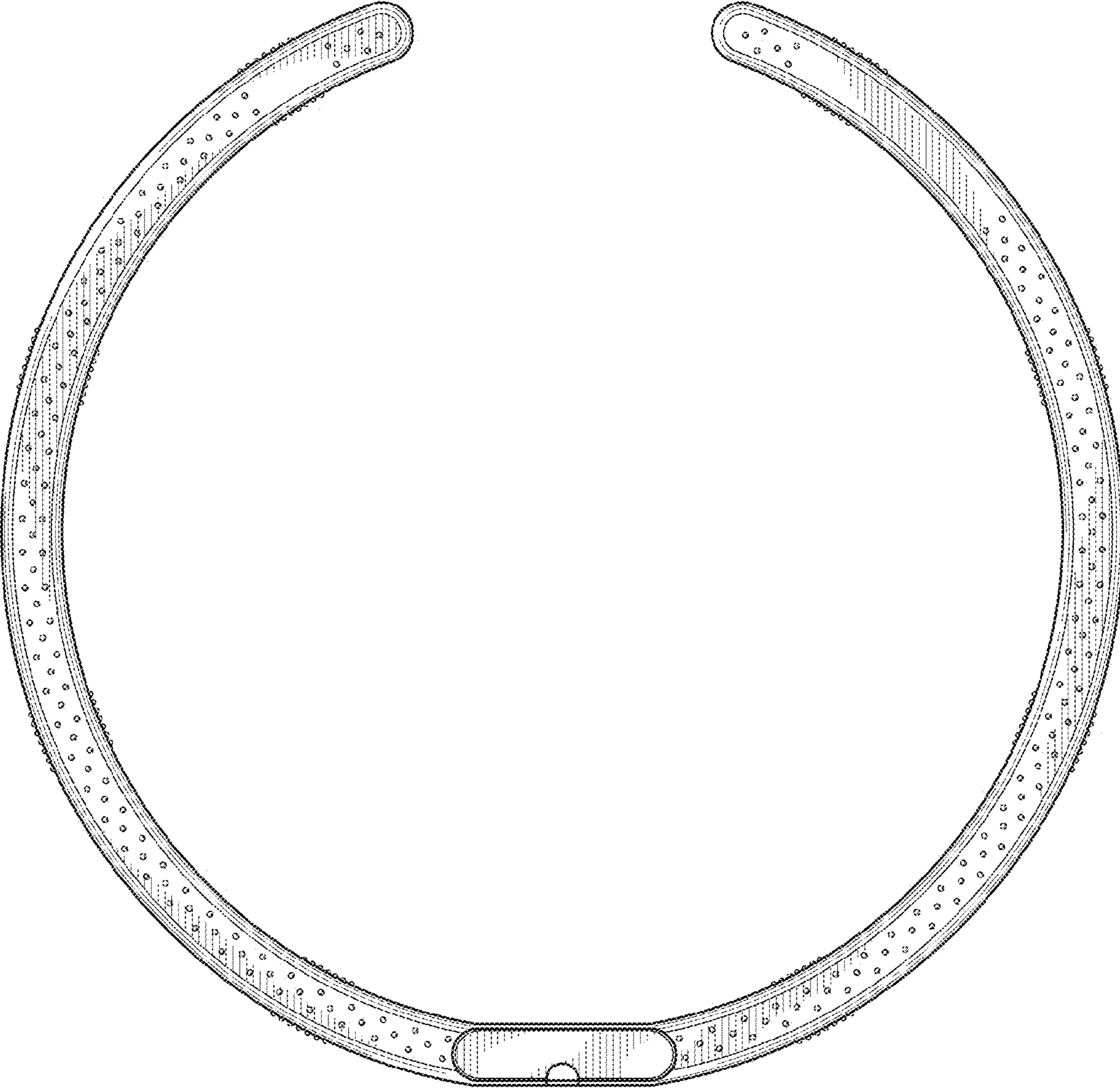


FIG. 2

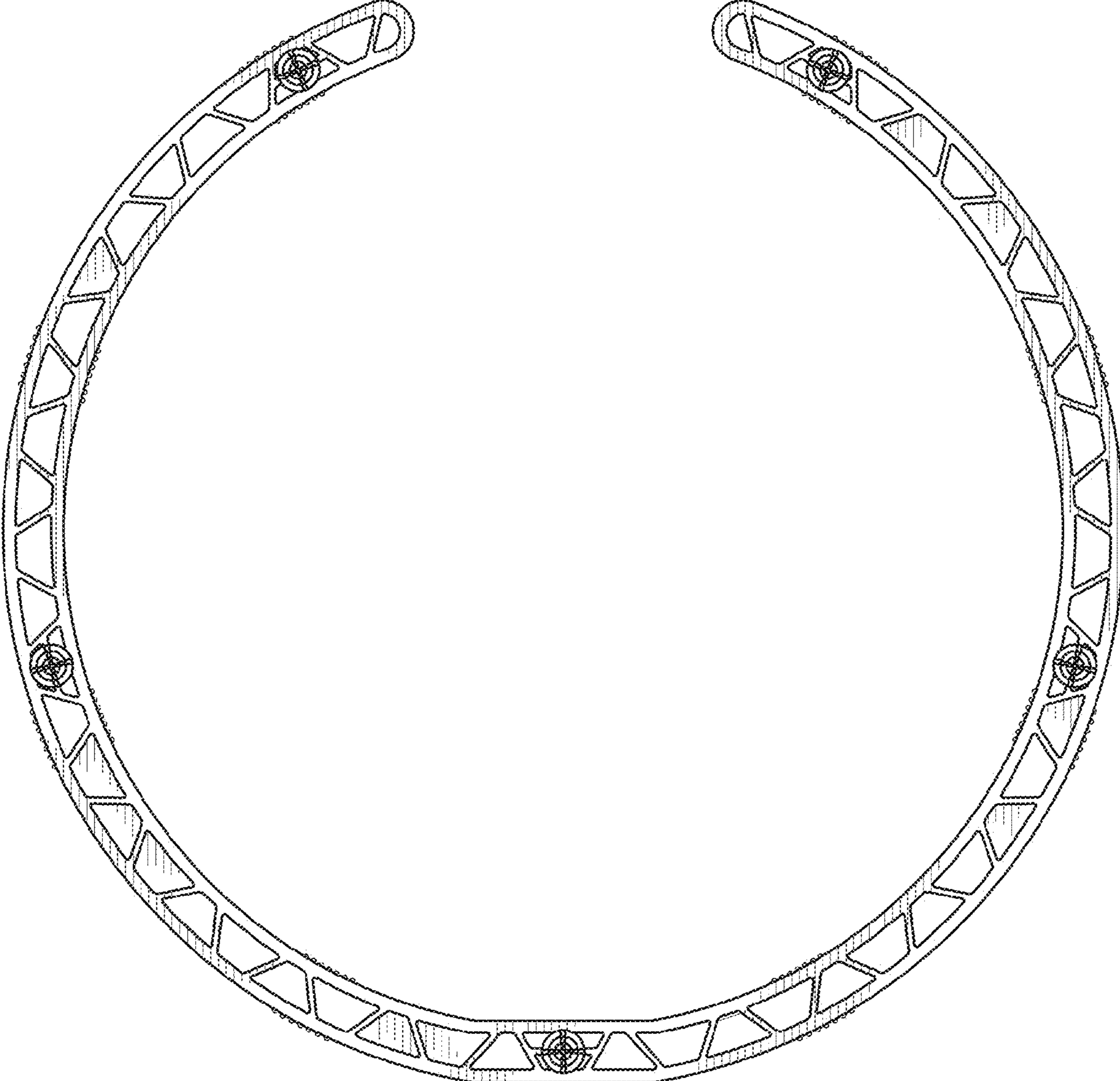


FIG. 3

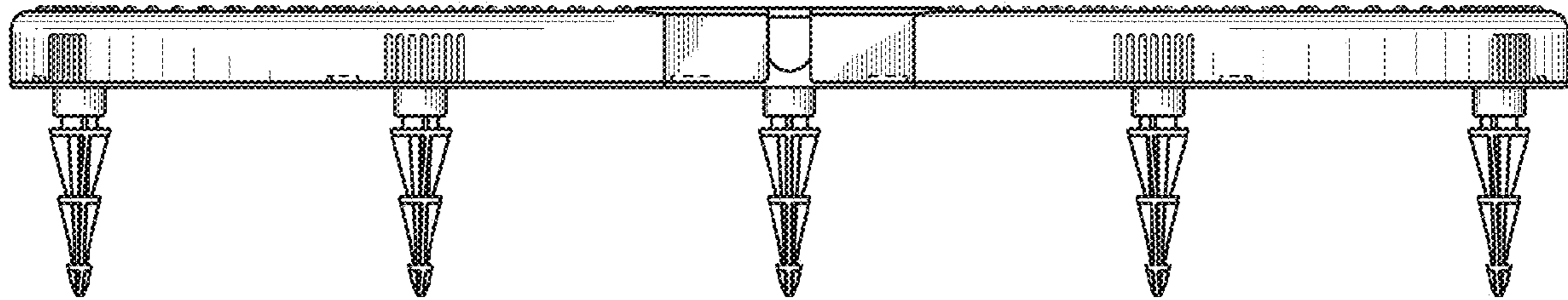


FIG. 4

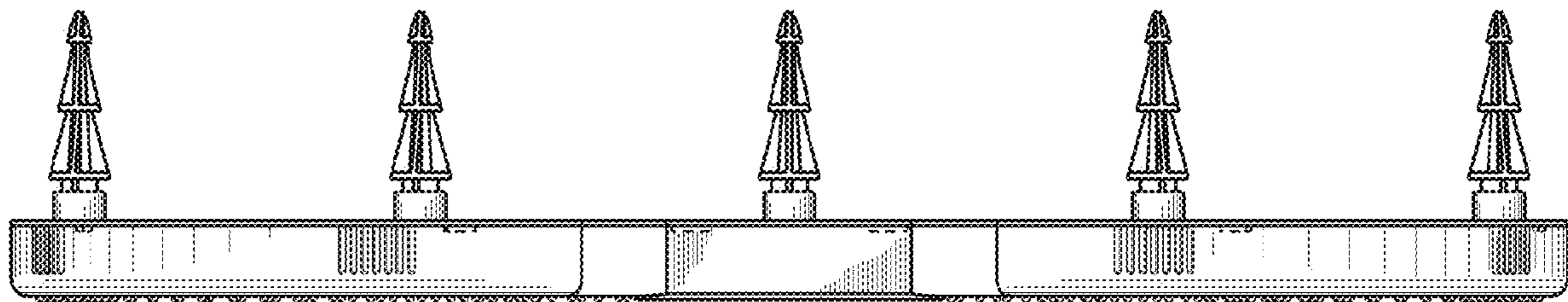
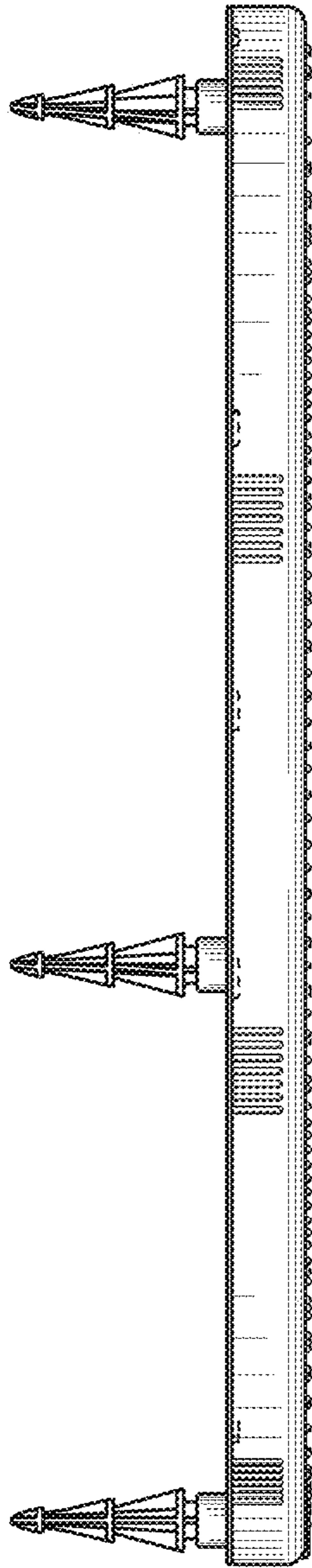
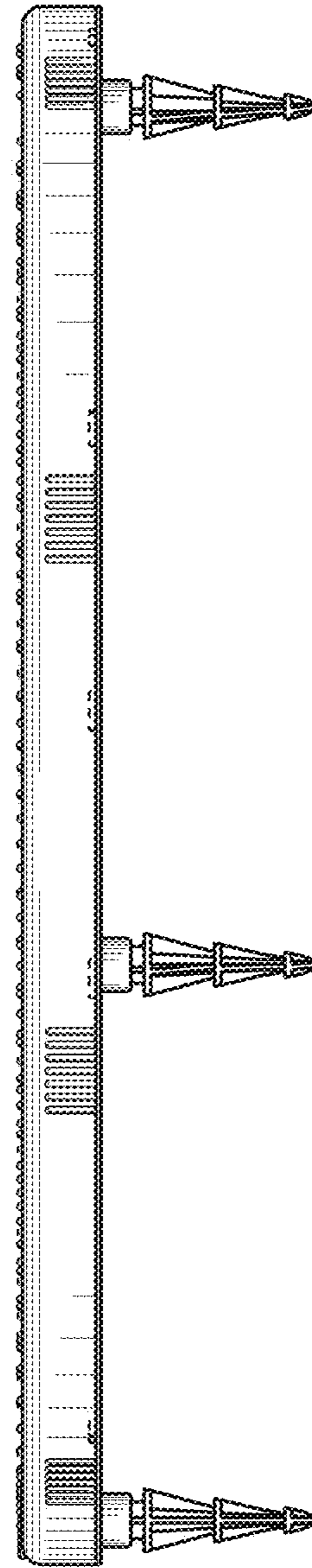


FIG. 5



**FIG. 6**



**FIG. 7**

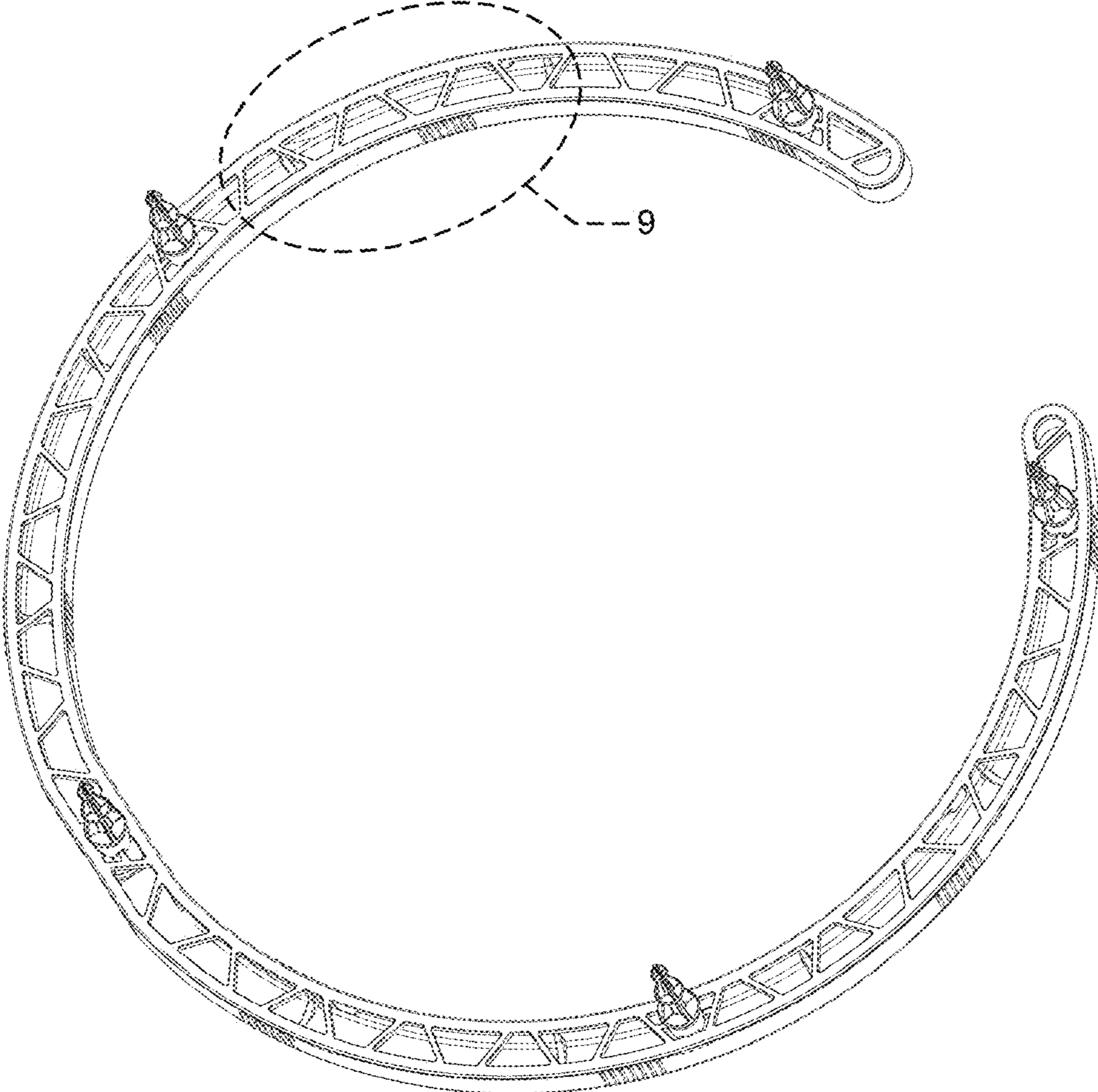
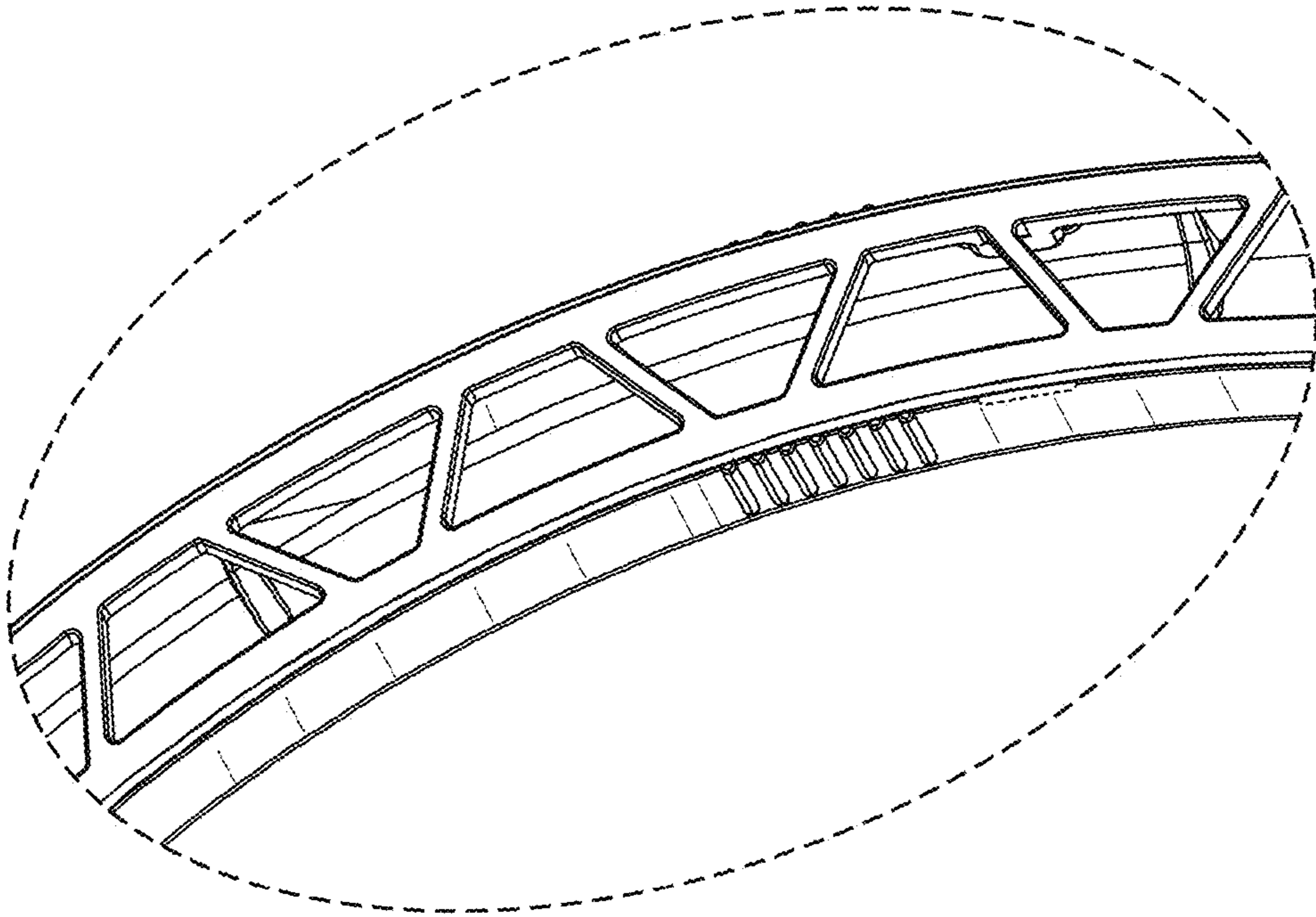


FIG. 8



**FIG. 9**