



US00D923744S

(12) **United States Design Patent** (10) **Patent No.:** **US D923,744 S**
Ravassa et al. (45) **Date of Patent:** **** Jun. 29, 2021**

(54) **SHOWER HEAD**
(71) Applicant: **AS America, Inc.**, Piscataway, NJ (US)
(72) Inventors: **Gabriela Ravassa**, Brooklyn, NY (US);
Greg Reinecker, Brooklyn, NY (US);
Jean-Jacques L’Henaff, New Canaan, CT (US)
(73) Assignee: **AS America, Inc.**, Piscataway, NJ (US)
(**) Term: **15 Years**
(21) Appl. No.: **29/719,819**
(22) Filed: **Jan. 8, 2020**
(51) **LOC (13) Cl.** **23-01**
(52) **U.S. Cl.**
USPC **D23/213**
(58) **Field of Classification Search**
USPC D23/213, 214, 215, 223, 224, 226, 229,
D23/230
CPC A61H 9/0021; A61H 33/00; B05B 1/00;
B05B 1/14; B05B 1/185; B05B 1/08;
B05B 1/02; B05B 1/26; B05B 12/002;
B05B 1/18; B05B 9/01
See application file for complete search history.

D828,491 S * 9/2018 Schoenherr D23/213
D908,188 S * 1/2021 Seum D23/213
2020/0346229 A1* 11/2020 Wales B05B 1/185

OTHER PUBLICATIONS

“Bossini Arm and Spray Head” [Apr. 25, 2019], [Amazon.com],
[Feb. 22, 2021]: [URL] https://www.amazon.com/dp/B076H968HJ/ref=sbl_dp_x_B073DKBBLY_0 (Year: 2019).*
“Kingston Brass” [Jul. 27, 2020], [Amazon.com], [Feb. 22, 2021]:
[URL] https://www.amazon.com/dp/B08DWC45KJ/ref=sbl_dp_x_B08DWBRR78_0 (Year: 2020).*
“Rainfall Shower Head” [Jul. 31, 2018], [Amazon.com], [Feb. 22, 2021]: [URL] <https://www.amazon.com/Rainfall-Shower-Head-Pressure-Waterfall/dp/B08KM17CZD/> (Year: 2018).*

* cited by examiner

Primary Examiner — Jack Reickel
Assistant Examiner — Keith J Wilson
(74) *Attorney, Agent, or Firm* — Tyler A. Stevenson;
Anna-lisa L. Gallo

(57) **CLAIM**

We claim the ornamental design for a shower head, as shown and described.

DESCRIPTION

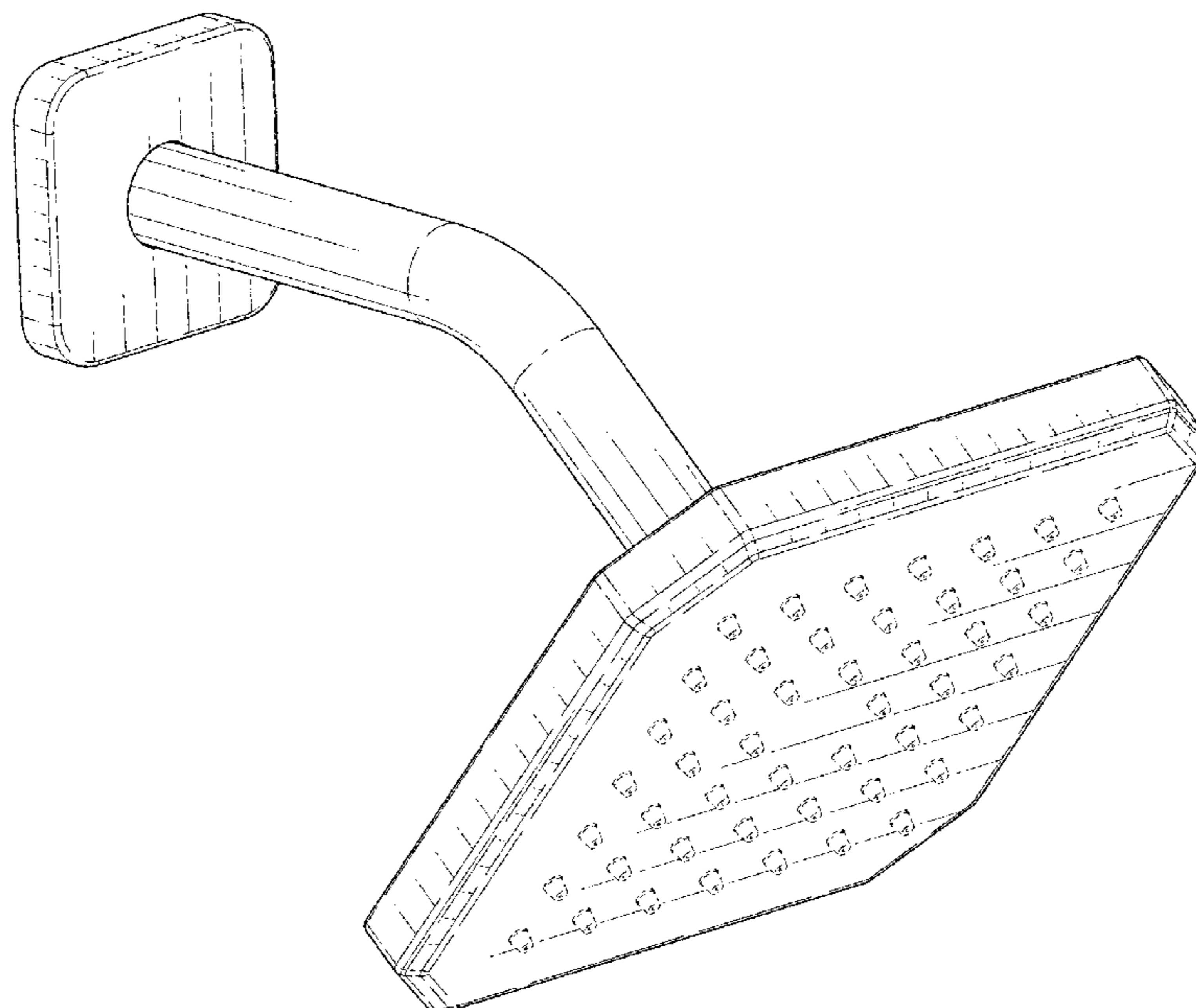
FIG. 1 is a front, top, left side perspective view of a shower head showing our new design;
FIG. 2 is a front view thereof;
FIG. 3 is a rear side view thereof;
FIG. 4 is a left side view thereof;
FIG. 5 is a right side view thereof;
FIG. 6 is a top view thereof; and,
FIG. 7 is a bottom view thereof.
The broken lines of the disclosure represent portions of the shower head that form no part of the claimed design.

1 Claim, 7 Drawing Sheets

(56) **References Cited**

U.S. PATENT DOCUMENTS

D517,164 S * 3/2006 Lee D23/213
D531,260 S * 10/2006 Luo D23/213
D540,427 S * 4/2007 Bouroullec D23/213
D552,210 S * 10/2007 Zhu D23/213
D590,046 S * 4/2009 Starck D23/213
D667,927 S * 9/2012 Linginfelter D23/213
D675,709 S * 2/2013 Mendoza D23/213
D713,002 S * 9/2014 McKeone D23/213
D734,426 S * 7/2015 Hundley D23/213



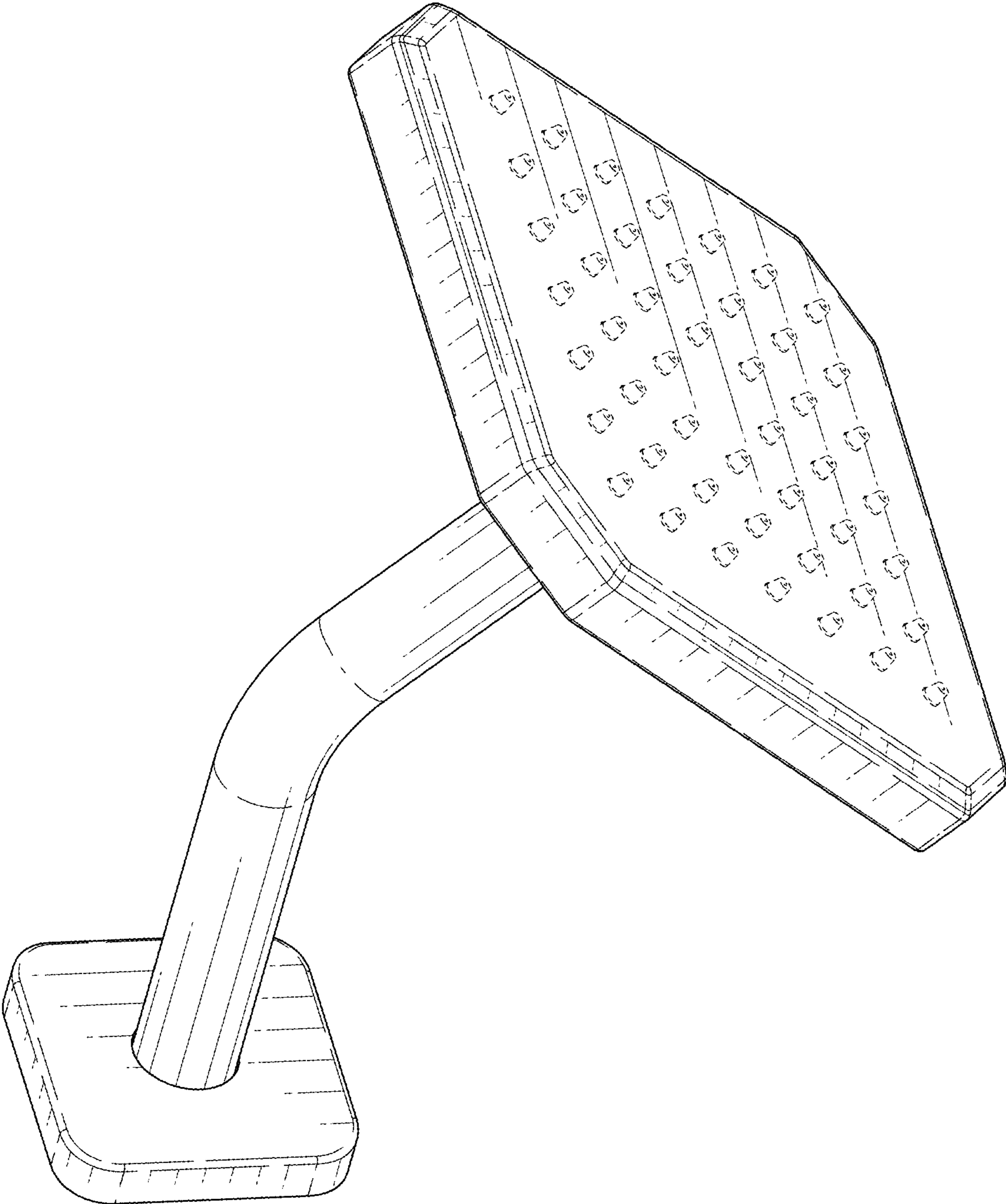


FIG. 1

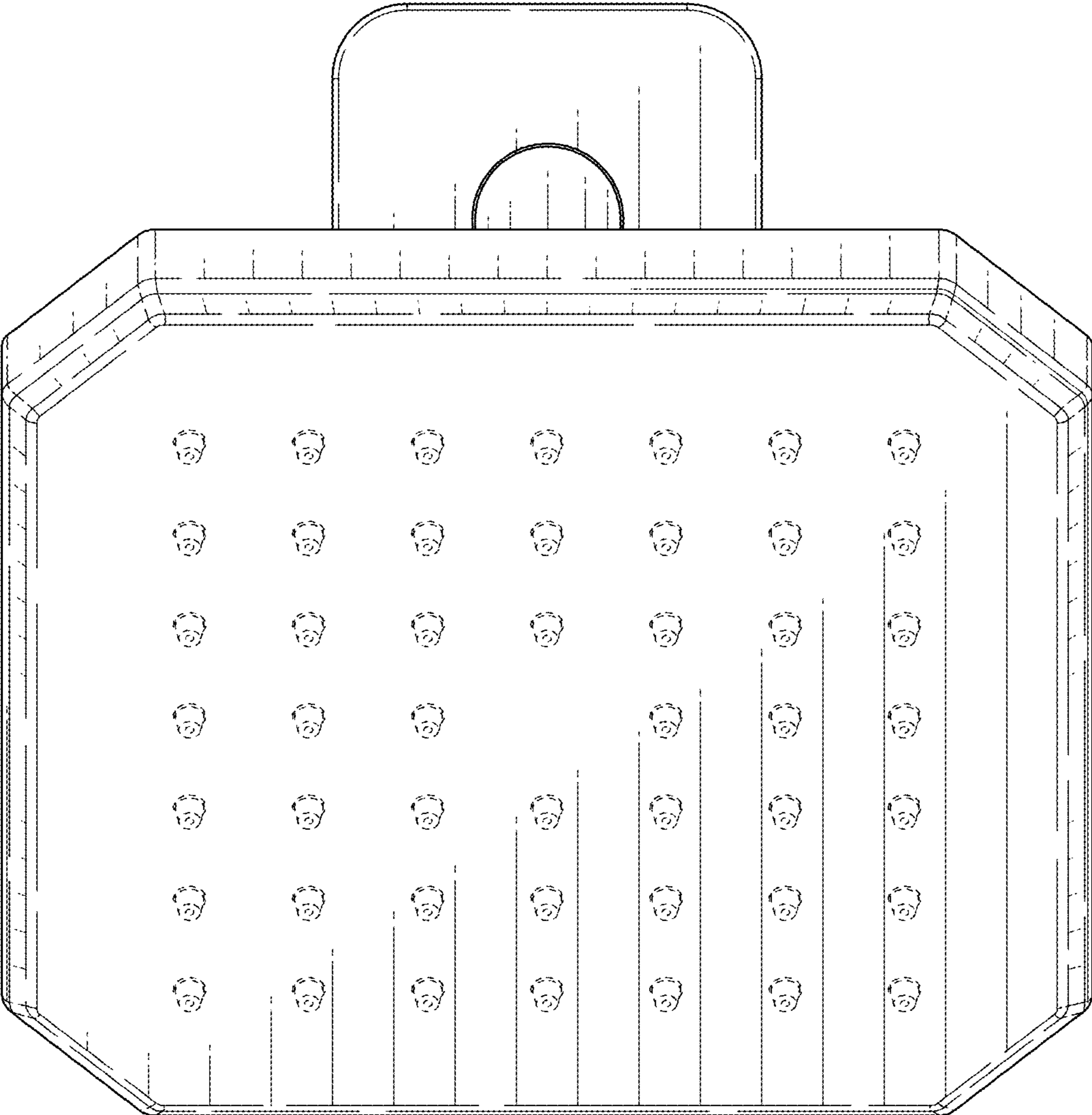


FIG. 2

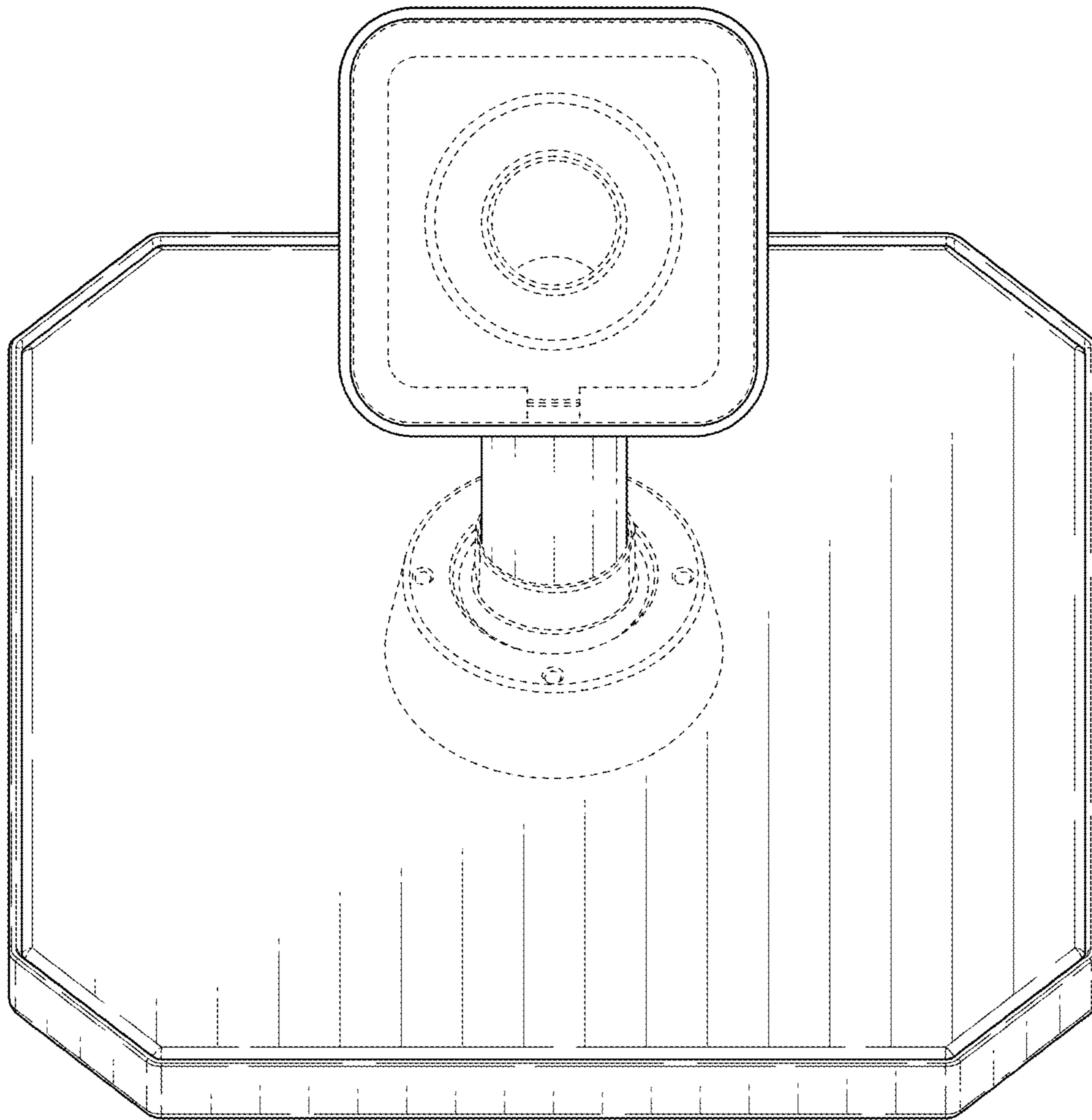


FIG. 3

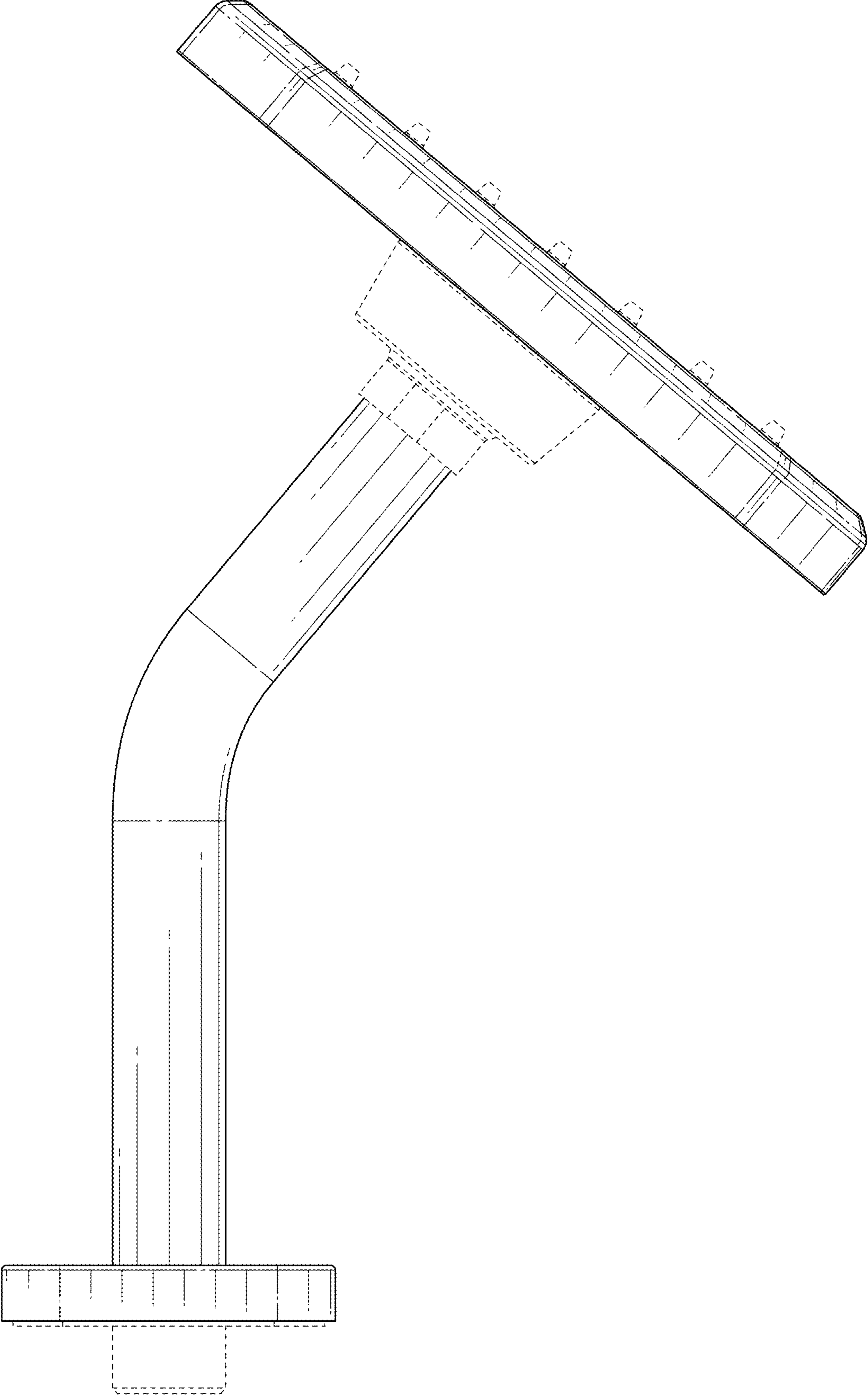


FIG. 4

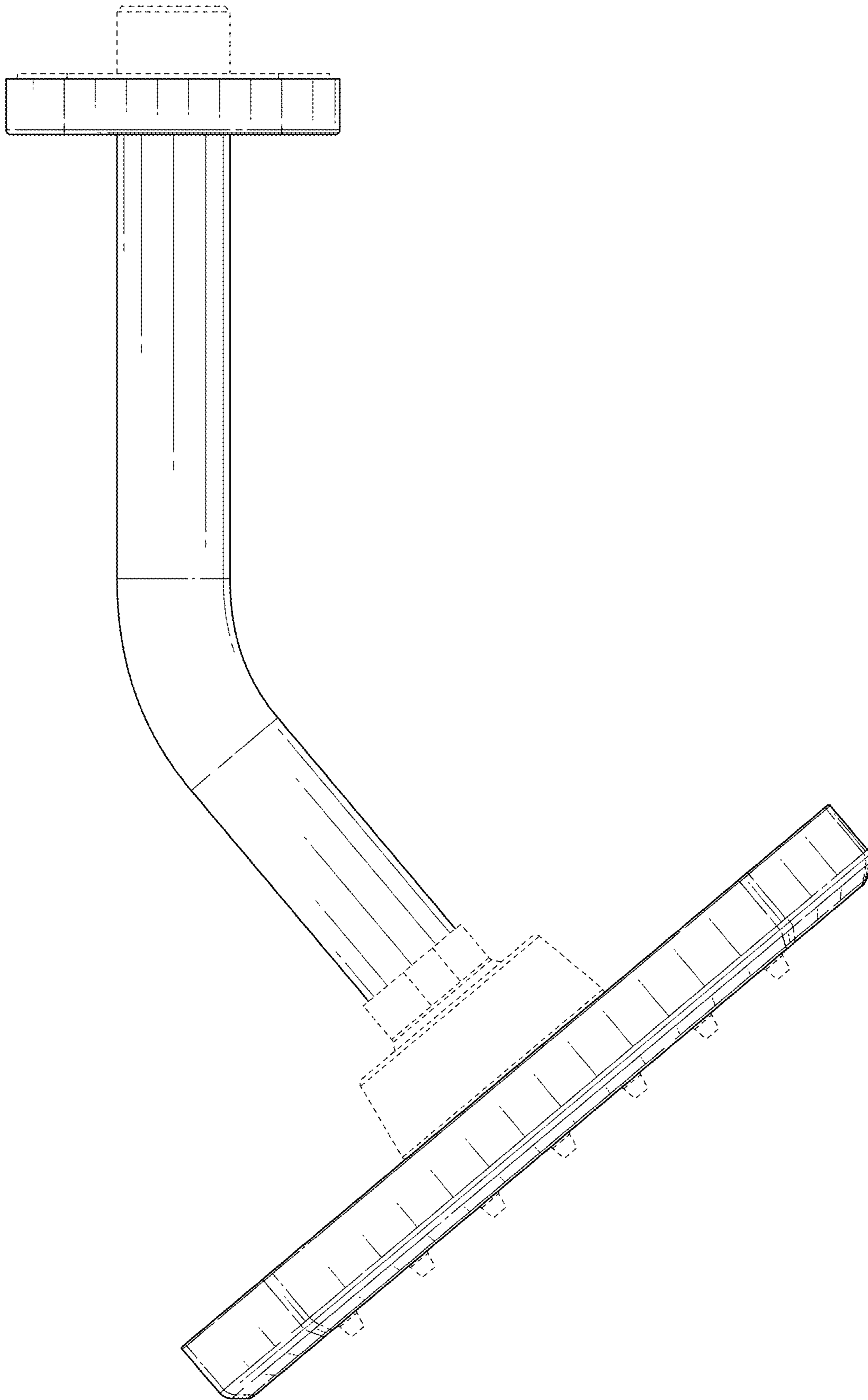


FIG. 5

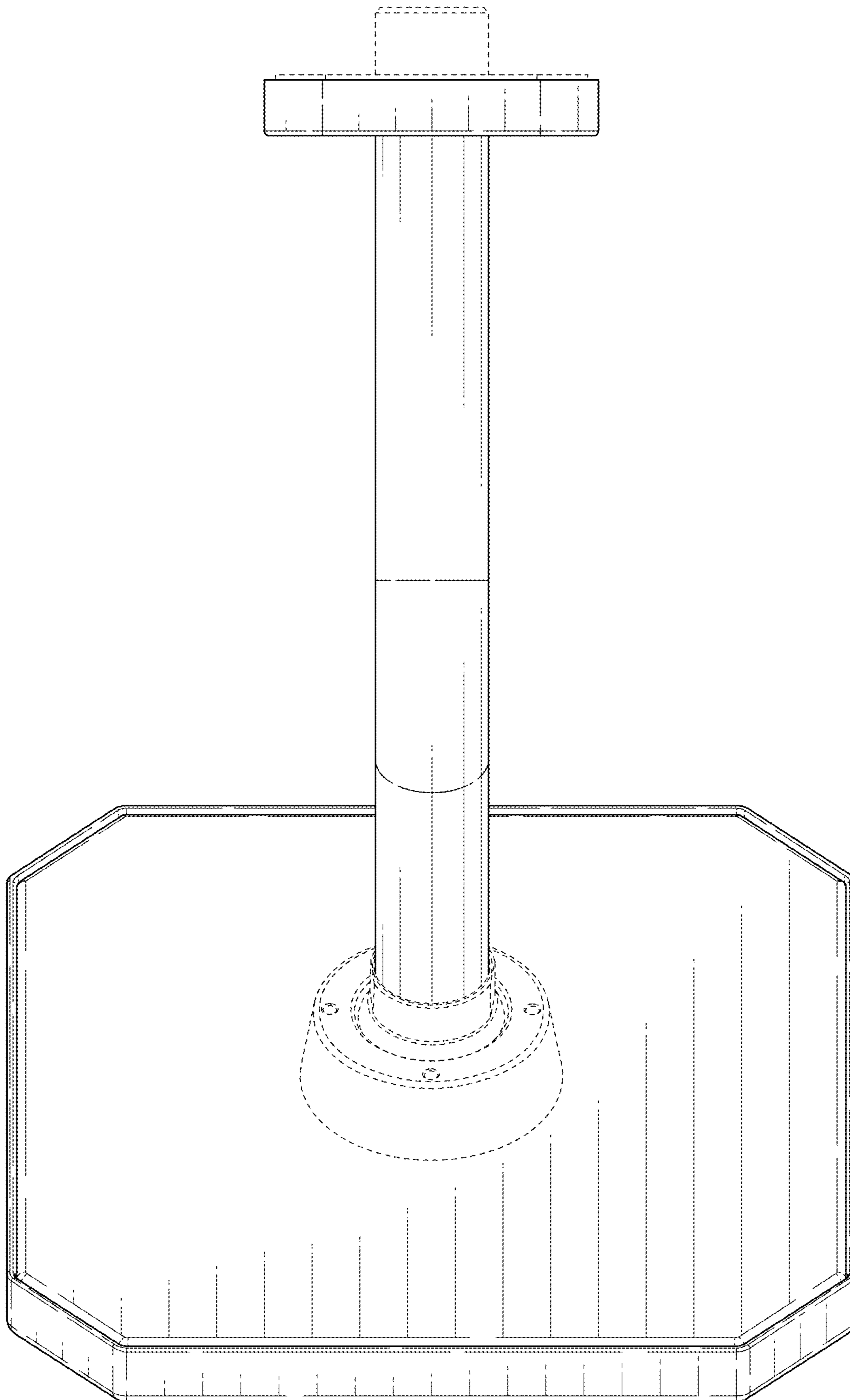


FIG. 6

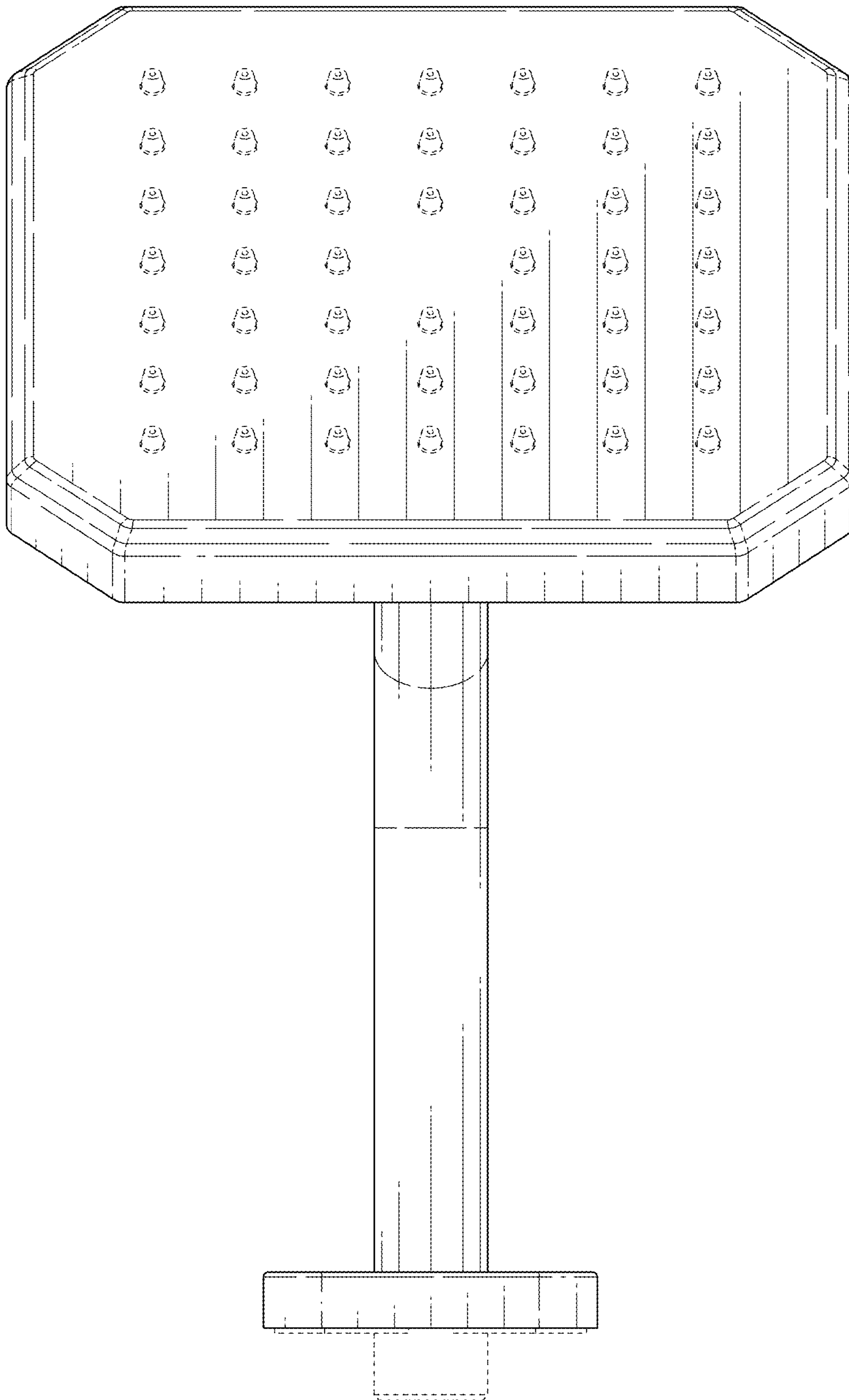


FIG. 7